

# R&S® RT-ZD10/20/30 Active Differential Probe R&S® RT-ZA15 External Attenuator User Manual



1410.4550.02 - 01

This user manual describes the following R&S®RT-ZD models and external attenuators:

- R&S®RT-ZD10 (1410.4715.02)
- R&S®RT-ZD20 (1410.4409.02)
- R&S®RT-ZD30 (1410.4609.02)
- R&S®RT-ZA15 (1410.4744.02)

The firmware of the instrument makes use of several valuable open source software packages. The most important of them are listed below, together with their corresponding open source license.

Package	Link	License
Atmel	<a href="http://www.atmel.com/dyn/products/tools_card.asp?tool_id=4092">http://www.atmel.com/dyn/products/tools_card.asp?tool_id=4092</a>	
BOOST Library	<a href="http://www.boost.org">http://www.boost.org</a>	Boost Software v.1

Rohde & Schwarz would like to thank the open source community for their valuable contribution to embedded computing.

© 2013 Rohde & Schwarz GmbH & Co. KG

Mühldorfstr. 15, 81671 München, Germany

Phone: +49 89 41 29 - 0

Fax: +49 89 41 29 12 164

E-mail: [info@rohde-schwarz.com](mailto:info@rohde-schwarz.com)

Internet: [www.rohde-schwarz.com](http://www.rohde-schwarz.com)

Subject to change – Data without tolerance limits is not binding.

R&S® is a registered trademark of Rohde & Schwarz GmbH & Co. KG.

Trade names are trademarks of the owners.

The following abbreviations are used throughout this manual: R&S®RT-ZD10/20/30 is abbreviated as R&S RT-ZD10/20/30. R&S®RT-ZA15 is abbreviated as R&S RT-ZA15. R&S®ProbeMeter is abbreviated as R&S ProbeMeter. R&S®RTO is abbreviated as R&S RTO.

# Basic Safety Instructions

## **Always read through and comply with the following safety instructions!**

All plants and locations of the Rohde & Schwarz group of companies make every effort to keep the safety standards of our products up to date and to offer our customers the highest possible degree of safety. Our products and the auxiliary equipment they require are designed, built and tested in accordance with the safety standards that apply in each case. Compliance with these standards is continuously monitored by our quality assurance system. The product described here has been designed, built and tested in accordance with the EC Certificate of Conformity and has left the manufacturer's plant in a condition fully complying with safety standards. To maintain this condition and to ensure safe operation, you must observe all instructions and warnings provided in this manual. If you have any questions regarding these safety instructions, the Rohde & Schwarz group of companies will be happy to answer them.

Furthermore, it is your responsibility to use the product in an appropriate manner. This product is designed for use solely in industrial and laboratory environments or, if expressly permitted, also in the field and must not be used in any way that may cause personal injury or property damage. You are responsible if the product is used for any purpose other than its designated purpose or in disregard of the manufacturer's instructions. The manufacturer shall assume no responsibility for such use of the product.

The product is used for its designated purpose if it is used in accordance with its product documentation and within its performance limits (see data sheet, documentation, the following safety instructions). Using the product requires technical skills and, in some cases, a basic knowledge of English. It is therefore essential that only skilled and specialized staff or thoroughly trained personnel with the required skills be allowed to use the product. If personal safety gear is required for using Rohde & Schwarz products, this will be indicated at the appropriate place in the product documentation. Keep the basic safety instructions and the product documentation in a safe place and pass them on to the subsequent users.








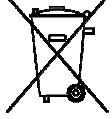

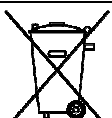


Observing the safety instructions will help prevent personal injury or damage of any kind caused by dangerous situations. Therefore, carefully read through and adhere to the following safety instructions before and when using the product. It is also absolutely essential to observe the additional safety instructions on personal safety, for example, that appear in relevant parts of the product documentation. In these safety instructions, the word "product" refers to all merchandise sold and distributed by the Rohde & Schwarz group of companies, including instruments,

## Basic Safety Instructions

systems and all accessories. For product-specific information, see the data sheet and the product documentation.

### Safety labels on products

The following safety labels are used on products to warn against risks and dangers.

Symbol	Meaning	Symbol	Meaning
	Notice, general danger location Observe product documentation	○	ON/OFF supply voltage
	Caution when handling heavy equipment	⏻	Standby indication
	Danger of electric shock	≡	Direct current (DC)
	Warning! Hot surface	~	Alternating current (AC)
	Protective conductor terminal	⎓	Direct/alternating current (DC/AC)
	Ground		Device fully protected by double (reinforced) insulation
	Ground terminal		EU labeling for batteries and accumulators For additional information, see section "Waste disposal/Environmental protection", item 1.
	Be careful when handling electrostatic sensitive devices		EU labeling for separate collection of electrical and electronic devices For additional information, see section "Waste disposal/Environmental protection", item 2.
	Warning! Laser radiation For additional information, see section "Operation", item 7.		

## Basic Safety Instructions

### Signal words and their meaning

The following signal words are used in the product documentation in order to warn the reader about risks and dangers.



Indicates a hazardous situation which, if not avoided, will result in death or serious injury.



Indicates a hazardous situation which, if not avoided, could result in death or serious injury.



Indicates a hazardous situation which, if not avoided, could result in minor or moderate injury.



Indicates information considered important, but not hazard-related, e.g. messages relating to property damage. In the product documentation, the word ATTENTION is used synonymously.

These signal words are in accordance with the standard definition for civil applications in the European Economic Area. Definitions that deviate from the standard definition may also exist in other economic areas or military applications. It is therefore essential to make sure that the signal words described here are always used only in connection with the related product documentation and the related product. The use of signal words in connection with unrelated products or documentation can result in misinterpretation and in personal injury or material damage.

### Operating states and operating positions

*The product may be operated only under the operating conditions and in the positions specified by the manufacturer, without the product's ventilation being obstructed. If the manufacturer's specifications are not observed, this can result in electric shock, fire and/or serious personal injury or death. Applicable local or national safety regulations and rules for the prevention of accidents must be observed in all work performed.*

1. Unless otherwise specified, the following requirements apply to Rohde & Schwarz products:  
predefined operating position is always with the housing floor facing down, IP protection 2X, use only indoors, max. operating altitude 2000 m above sea level, max. transport altitude 4500 m above sea level. A tolerance of  $\pm 10\%$  shall apply to the nominal voltage and  $\pm 5\%$  to the nominal frequency, overvoltage category 2, pollution severity 2.

## Basic Safety Instructions

2. Do not place the product on surfaces, vehicles, cabinets or tables that for reasons of weight or stability are unsuitable for this purpose. Always follow the manufacturer's installation instructions when installing the product and fastening it to objects or structures (e.g. walls and shelves). An installation that is not carried out as described in the product documentation could result in personal injury or even death.
3. Do not place the product on heat-generating devices such as radiators or fan heaters. The ambient temperature must not exceed the maximum temperature specified in the product documentation or in the data sheet. Product overheating can cause electric shock, fire and/or serious personal injury or even death.

### Electrical safety

*If the information on electrical safety is not observed either at all or to the extent necessary, electric shock, fire and/or serious personal injury or death may occur.*

1. Prior to switching on the product, always ensure that the nominal voltage setting on the product matches the nominal voltage of the AC supply network. If a different voltage is to be set, the power fuse of the product may have to be changed accordingly.
2. In the case of products of safety class I with movable power cord and connector, operation is permitted only on sockets with a protective conductor contact and protective conductor.
3. Intentionally breaking the protective conductor either in the feed line or in the product itself is not permitted. Doing so can result in the danger of an electric shock from the product. If extension cords or connector strips are implemented, they must be checked on a regular basis to ensure that they are safe to use.
4. If there is no power switch for disconnecting the product from the AC supply network, or if the power switch is not suitable for this purpose, use the plug of the connecting cable to disconnect the product from the AC supply network. In such cases, always ensure that the power plug is easily reachable and accessible at all times. For example, if the power plug is the disconnecting device, the length of the connecting cable must not exceed 3 m. Functional or electronic switches are not suitable for providing disconnection from the AC supply network. If products without power switches are integrated into racks or systems, the disconnecting device must be provided at the system level.

## Basic Safety Instructions

5. Never use the product if the power cable is damaged. Check the power cables on a regular basis to ensure that they are in proper operating condition. By taking appropriate safety measures and carefully laying the power cable, ensure that the cable cannot be damaged and that no one can be hurt by, for example, tripping over the cable or suffering an electric shock.
6. The product may be operated only from TN/TT supply networks fuse-protected with max. 16 A (higher fuse only after consulting with the Rohde & Schwarz group of companies).
7. Do not insert the plug into sockets that are dusty or dirty. Insert the plug firmly and all the way into the socket provided for this purpose. Otherwise, sparks that result in fire and/or injuries may occur.
8. Do not overload any sockets, extension cords or connector strips; doing so can cause fire or electric shocks.
9. For measurements in circuits with voltages  $V_{\text{rms}} > 30 \text{ V}$ , suitable measures (e.g. appropriate measuring equipment, fuse protection, current limiting, electrical separation, insulation) should be taken to avoid any hazards.
10. Ensure that the connections with information technology equipment, e.g. PCs or other industrial computers, comply with the IEC60950-1/EN60950-1 or IEC61010-1/EN 61010-1 standards that apply in each case.
11. Unless expressly permitted, never remove the cover or any part of the housing while the product is in operation. Doing so will expose circuits and components and can lead to injuries, fire or damage to the product.
12. If a product is to be permanently installed, the connection between the protective conductor terminal on site and the product's protective conductor must be made first before any other connection is made. The product may be installed and connected only by a licensed electrician.
13. For permanently installed equipment without built-in fuses, circuit breakers or similar protective devices, the supply circuit must be fuse-protected in such a way that anyone who has access to the product, as well as the product itself, is adequately protected from injury or damage.
14. Use suitable overvoltage protection to ensure that no overvoltage (such as that caused by a bolt of lightning) can reach the product. Otherwise, the person operating the product will be exposed to the danger of an electric shock.
15. Any object that is not designed to be placed in the openings of the housing must not be used for this purpose. Doing so can cause short circuits inside the product and/or electric shocks, fire or injuries.

## Basic Safety Instructions

16. Unless specified otherwise, products are not liquid-proof (see also section "Operating states and operating positions", item 1). Therefore, the equipment must be protected against penetration by liquids. If the necessary precautions are not taken, the user may suffer electric shock or the product itself may be damaged, which can also lead to personal injury.
17. Never use the product under conditions in which condensation has formed or can form in or on the product, e.g. if the product has been moved from a cold to a warm environment. Penetration by water increases the risk of electric shock.
18. Prior to cleaning the product, disconnect it completely from the power supply (e.g. AC supply network or battery). Use a soft, non-linting cloth to clean the product. Never use chemical cleaning agents such as alcohol, acetone or diluents for cellulose lacquers.

## Operation

1. Operating the products requires special training and intense concentration. Make sure that persons who use the products are physically, mentally and emotionally fit enough to do so; otherwise, injuries or material damage may occur. It is the responsibility of the employer/operator to select suitable personnel for operating the products.
2. Before you move or transport the product, read and observe the section titled "Transport".
3. As with all industrially manufactured goods, the use of substances that induce an allergic reaction (allergens) such as nickel cannot be generally excluded. If you develop an allergic reaction (such as a skin rash, frequent sneezing, red eyes or respiratory difficulties) when using a Rohde & Schwarz product, consult a physician immediately to determine the cause and to prevent health problems or stress.
4. Before you start processing the product mechanically and/or thermally, or before you take it apart, be sure to read and pay special attention to the section titled "Waste disposal/Environmental protection", item 1.
5. Depending on the function, certain products such as RF radio equipment can produce an elevated level of electromagnetic radiation. Considering that unborn babies require increased protection, pregnant women must be protected by appropriate measures. Persons with pacemakers may also be exposed to risks from electromagnetic radiation. The employer/operator must evaluate workplaces where there is a special risk of exposure to radiation and, if necessary, take measures to avert the potential danger.



## Basic Safety Instructions

6. Should a fire occur, the product may release hazardous substances (gases, fluids, etc.) that can cause health problems. Therefore, suitable measures must be taken, e.g. protective masks and protective clothing must be worn.
7. Laser products are given warning labels that are standardized according to their laser class. Lasers can cause biological harm due to the properties of their radiation and due to their extremely concentrated electromagnetic power. If a laser product (e.g. a CD/DVD drive) is integrated into a Rohde & Schwarz product, absolutely no other settings or functions may be used as described in the product documentation. The objective is to prevent personal injury (e.g. due to laser beams).
8. EMC classes (in line with EN 55011/CISPR 11, and analogously with EN 55022/CISPR 22, EN 55032/CISPR 32)
  - Class A equipment:  
Equipment suitable for use in all environments except residential environments and environments that are directly connected to a low-voltage supply network that supplies residential buildings  
Note: Class A equipment is intended for use in an industrial environment. This equipment may cause radio disturbances in residential environments, due to possible conducted as well as radiated disturbances. In this case, the operator may be required to take appropriate measures to eliminate these disturbances.
  - Class B equipment:  
Equipment suitable for use in residential environments and environments that are directly connected to a low-voltage supply network that supplies residential buildings

### Repair and service

1. The product may be opened only by authorized, specially trained personnel. Before any work is performed on the product or before the product is opened, it must be disconnected from the AC supply network. Otherwise, personnel will be exposed to the risk of an electric shock.
2. Adjustments, replacement of parts, maintenance and repair may be performed only by electrical experts authorized by Rohde & Schwarz. Only original parts may be used for replacing parts relevant to safety (e.g. power switches, power transformers, fuses). A safety test must always be performed after parts relevant to safety have been replaced (visual inspection, protective conductor test, insulation resistance measurement, leakage current measurement, functional test). This helps ensure the continued safety of the product.

## Basic Safety Instructions

### Batteries and rechargeable batteries/cells

*If the information regarding batteries and rechargeable batteries/cells is not observed either at all or to the extent necessary, product users may be exposed to the risk of explosions, fire and/or serious personal injury, and, in some cases, death. Batteries and rechargeable batteries with alkaline electrolytes (e.g. lithium cells) must be handled in accordance with the EN 62133 standard.*

1. Cells must not be taken apart or crushed.
2. Cells or batteries must not be exposed to heat or fire. Storage in direct sunlight must be avoided. Keep cells and batteries clean and dry. Clean soiled connectors using a dry, clean cloth.
3. Cells or batteries must not be short-circuited. Cells or batteries must not be stored in a box or in a drawer where they can short-circuit each other, or where they can be short-circuited by other conductive materials. Cells and batteries must not be removed from their original packaging until they are ready to be used.
4. Cells and batteries must not be exposed to any mechanical shocks that are stronger than permitted.
5. If a cell develops a leak, the fluid must not be allowed to come into contact with the skin or eyes. If contact occurs, wash the affected area with plenty of water and seek medical aid.
6. Improperly replacing or charging cells or batteries that contain alkaline electrolytes (e.g. lithium cells) can cause explosions. Replace cells or batteries only with the matching Rohde & Schwarz type (see parts list) in order to ensure the safety of the product.
7. Cells and batteries must be recycled and kept separate from residual waste. Rechargeable batteries and normal batteries that contain lead, mercury or cadmium are hazardous waste. Observe the national regulations regarding waste disposal and recycling.

### Transport

1. The product may be very heavy. Therefore, the product must be handled with care. In some cases, the user may require a suitable means of lifting or moving the product (e.g. with a lift-truck) to avoid back or other physical injuries.
2. Handles on the products are designed exclusively to enable personnel to transport the product. It is therefore not permissible to use handles to fasten the product to or on transport equipment such as cranes, fork lifts, wagons,

## Basic Safety Instructions

etc. The user is responsible for securely fastening the products to or on the means of transport or lifting. Observe the safety regulations of the manufacturer of the means of transport or lifting. Noncompliance can result in personal injury or material damage.

3. If you use the product in a vehicle, it is the sole responsibility of the driver to drive the vehicle safely and properly. The manufacturer assumes no responsibility for accidents or collisions. Never use the product in a moving vehicle if doing so could distract the driver of the vehicle. Adequately secure the product in the vehicle to prevent injuries or other damage in the event of an accident.

### Waste disposal/Environmental protection

1. Specially marked equipment has a battery or accumulator that must not be disposed of with unsorted municipal waste, but must be collected separately. It may only be disposed of at a suitable collection point or via a Rohde & Schwarz customer service center.
2. Waste electrical and electronic equipment must not be disposed of with unsorted municipal waste, but must be collected separately. Rohde & Schwarz GmbH & Co. KG has developed a disposal concept and takes full responsibility for take-back obligations and disposal obligations for manufacturers within the EU. Contact your Rohde & Schwarz customer service center for environmentally responsible disposal of the product.
3. If products or their components are mechanically and/or thermally processed in a manner that goes beyond their intended use, hazardous substances (heavy-metal dust such as lead, beryllium, nickel) may be released. For this reason, the product may only be disassembled by specially trained personnel. Improper disassembly may be hazardous to your health. National waste disposal regulations must be observed.
4. If handling the product releases hazardous substances or fuels that must be disposed of in a special way, e.g. coolants or engine oils that must be replenished regularly, the safety instructions of the manufacturer of the hazardous substances or fuels and the applicable regional waste disposal regulations must be observed. Also observe the relevant safety instructions in the product documentation. The improper disposal of hazardous substances or fuels can cause health problems and lead to environmental damage.

For additional information about environmental protection, visit the Rohde & Schwarz website.

# Instrucciones de seguridad elementales

**¡Es imprescindible leer y cumplir las siguientes instrucciones e informaciones de seguridad!**

El principio del grupo de empresas Rohde & Schwarz consiste en tener nuestros productos siempre al día con los estándares de seguridad y de ofrecer a nuestros clientes el máximo grado de seguridad. Nuestros productos y todos los equipos adicionales son siempre fabricados y examinados según las normas de seguridad vigentes. Nuestro sistema de garantía de calidad controla constantemente que sean cumplidas estas normas. El presente producto ha sido fabricado y examinado según el certificado de conformidad de la UE y ha salido de nuestra planta en estado impecable según los estándares técnicos de seguridad. Para poder preservar este estado y garantizar un funcionamiento libre de peligros, el usuario deberá atenerse a todas las indicaciones, informaciones de seguridad y notas de alerta. El grupo de empresas Rohde & Schwarz está siempre a su disposición en caso de que tengan preguntas referentes a estas informaciones de seguridad.

Además queda en la responsabilidad del usuario utilizar el producto en la forma debida. Este producto está destinado exclusivamente al uso en la industria y el laboratorio o, si ha sido expresamente autorizado, para aplicaciones de campo y de ninguna manera deberá ser utilizado de modo que alguna persona/cosa pueda sufrir daño. El uso del producto fuera de sus fines definidos o sin tener en cuenta las instrucciones del fabricante queda en la responsabilidad del usuario. El fabricante no se hace en ninguna forma responsable de consecuencias a causa del mal uso del producto.







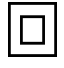

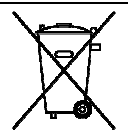
Se parte del uso correcto del producto para los fines definidos si el producto es utilizado conforme a las indicaciones de la correspondiente documentación del producto y dentro del margen de rendimiento definido (ver hoja de datos, documentación, informaciones de seguridad que siguen). El uso del producto hace necesarios conocimientos técnicos y ciertos conocimientos del idioma inglés. Por eso se debe tener en cuenta que el producto solo pueda ser operado por personal especializado o personas instruidas en profundidad con las capacidades correspondientes. Si fuera necesaria indumentaria de seguridad para el uso de productos de Rohde & Schwarz, encontraría la información debida en la documentación del producto en el capítulo correspondiente. Guarde bien las informaciones de seguridad elementales, así como la documentación del producto, y entréguelas a usuarios posteriores.

## Instrucciones de seguridad elementales


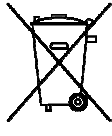


Tener en cuenta las informaciones de seguridad sirve para evitar en lo posible lesiones o daños por peligros de toda clase. Por eso es imprescindible leer detalladamente y comprender por completo las siguientes informaciones de seguridad antes de usar el producto, y respetarlas durante el uso del producto. Deberán tenerse en cuenta todas las demás informaciones de seguridad, como p. ej. las referentes a la protección de personas, que encontrarán en el capítulo correspondiente de la documentación del producto y que también son de obligado cumplimiento. En las presentes informaciones de seguridad se recogen todos los objetos que distribuye el grupo de empresas Rohde & Schwarz bajo la denominación de "producto", entre ellos también aparatos, instalaciones así como toda clase de accesorios. Los datos específicos del producto figuran en la hoja de datos y en la documentación del producto.

### Señalización de seguridad de los productos

Las siguientes señales de seguridad se utilizan en los productos para advertir sobre riesgos y peligros.

Símbolo	Significado	Símbolo	Significado
	Aviso: punto de peligro general Observar la documentación del producto	○	Tensión de alimentación de PUESTA EN MARCHA / PARADA
	Atención en el manejo de dispositivos de peso elevado	⏻	Indicación de estado de espera (standby)
	Peligro de choque eléctrico	— — —	Corriente continua (DC)
	Advertencia: superficie caliente	~	Corriente alterna (AC)
	Conexión a conductor de protección	⎓	Corriente continua / Corriente alterna (DC/AC)
	Conexión a tierra		El aparato está protegido en su totalidad por un aislamiento doble (reforzado)
	Conexión a masa		Distintivo de la UE para baterías y acumuladores Más información en la sección "Eliminación/protección del medio ambiente", punto 1.

## Instrucciones de seguridad elementales

Símbolo	Significado	Símbolo	Significado
	Aviso: Cuidado en el manejo de dispositivos sensibles a la electrostática (ESD)	 	Distintivo de la UE para la eliminación por separado de dispositivos eléctricos y electrónicos  Más información en la sección "Eliminación/protección del medio ambiente", punto 2.
	Advertencia: rayo láser  Más información en la sección "Funcionamiento", punto 7.		

### Palabras de señal y su significado

En la documentación del producto se utilizan las siguientes palabras de señal con el fin de advertir contra riesgos y peligros.



Indica una situación de peligro que, si no se evita, causa lesiones graves o incluso la muerte.



Indica una situación de peligro que, si no se evita, puede causar lesiones graves o incluso la muerte.



Indica una situación de peligro que, si no se evita, puede causar lesiones leves o moderadas.



Indica información que se considera importante, pero no en relación con situaciones de peligro; p. ej., avisos sobre posibles daños materiales.

En la documentación del producto se emplea de forma sinónima el término CUIDADO.

Las palabras de señal corresponden a la definición habitual para aplicaciones civiles en el área económica europea. Pueden existir definiciones diferentes a esta definición en otras áreas económicas o en aplicaciones militares. Por eso se deberá tener en cuenta que las palabras de señal aquí descritas sean utilizadas siempre solamente en combinación con la correspondiente documentación del producto y solamente en combinación con el producto correspondiente. La utilización de las palabras de señal en combinación con productos o documentaciones que no les correspondan puede llevar a interpretaciones equivocadas y tener por consecuencia daños en personas u objetos.

## **Instrucciones de seguridad elementales**

### **Estados operativos y posiciones de funcionamiento**

*El producto solamente debe ser utilizado según lo indicado por el fabricante respecto a los estados operativos y posiciones de funcionamiento sin que se obstruya la ventilación. Si no se siguen las indicaciones del fabricante, pueden producirse choques eléctricos, incendios y/o lesiones graves con posible consecuencia de muerte. En todos los trabajos deberán ser tenidas en cuenta las normas nacionales y locales de seguridad del trabajo y de prevención de accidentes.*

1. Si no se convino de otra manera, es para los productos Rohde & Schwarz válido lo que sigue:  
como posición de funcionamiento se define por principio la posición con el suelo de la caja para abajo, modo de protección IP 2X, uso solamente en estancias interiores, utilización hasta 2000 m sobre el nivel del mar, transporte hasta 4500 m sobre el nivel del mar. Se aplicará una tolerancia de  $\pm 10\%$  sobre el voltaje nominal y de  $\pm 5\%$  sobre la frecuencia nominal. Categoría de sobrecarga eléctrica 2, índice de suciedad 2.
2. No sitúe el producto encima de superficies, vehículos, estantes o mesas, que por sus características de peso o de estabilidad no sean aptos para él. Siga siempre las instrucciones de instalación del fabricante cuando instale y asegure el producto en objetos o estructuras (p. ej. paredes y estantes). Si se realiza la instalación de modo distinto al indicado en la documentación del producto, se pueden causar lesiones o, en determinadas circunstancias, incluso la muerte.
3. No ponga el producto sobre aparatos que generen calor (p. ej. radiadores o calefactores). La temperatura ambiente no debe superar la temperatura máxima especificada en la documentación del producto o en la hoja de datos. En caso de sobrecalentamiento del producto, pueden producirse choques eléctricos, incendios y/o lesiones graves con posible consecuencia de muerte.

### **Seguridad eléctrica**

*Si no se siguen (o se siguen de modo insuficiente) las indicaciones del fabricante en cuanto a seguridad eléctrica, pueden producirse choques eléctricos, incendios y/o lesiones graves con posible consecuencia de muerte.*

1. Antes de la puesta en marcha del producto se deberá comprobar siempre que la tensión preseleccionada en el producto coincida con la de la red de alimentación eléctrica. Si es necesario modificar el ajuste de tensión, también se deberán cambiar en caso dado los fusibles correspondientes del producto.

## Instrucciones de seguridad elementales

2. Los productos de la clase de protección I con alimentación móvil y enchufe individual solamente podrán enchufarse a tomas de corriente con contacto de seguridad y con conductor de protección conectado.
3. Queda prohibida la interrupción intencionada del conductor de protección, tanto en la toma de corriente como en el mismo producto. La interrupción puede tener como consecuencia el riesgo de que el producto sea fuente de choques eléctricos. Si se utilizan cables alargadores o regletas de enchufe, deberá garantizarse la realización de un examen regular de los mismos en cuanto a su estado técnico de seguridad.
4. Si el producto no está equipado con un interruptor para desconectarlo de la red, o bien si el interruptor existente no resulta apropiado para la desconexión de la red, el enchufe del cable de conexión se deberá considerar como un dispositivo de desconexión.  
El dispositivo de desconexión se debe poder alcanzar fácilmente y debe estar siempre bien accesible. Si, p. ej., el enchufe de conexión a la red es el dispositivo de desconexión, la longitud del cable de conexión no debe superar 3 m).  
Los interruptores selectores o electrónicos no son aptos para el corte de la red eléctrica. Si se integran productos sin interruptor en bastidores o instalaciones, se deberá colocar el interruptor en el nivel de la instalación.
5. No utilice nunca el producto si está dañado el cable de conexión a red.  
Compruebe regularmente el correcto estado de los cables de conexión a red. Asegúrese, mediante las medidas de protección y de instalación adecuadas, de que el cable de conexión a red no pueda ser dañado o de que nadie pueda ser dañado por él, p. ej. al tropezar o por un choque eléctrico.
6. Solamente está permitido el funcionamiento en redes de alimentación TN/TT aseguradas con fusibles de 16 A como máximo (utilización de fusibles de mayor amperaje solo previa consulta con el grupo de empresas Rohde & Schwarz).
7. Nunca conecte el enchufe en tomas de corriente sucias o llenas de polvo. Introduzca el enchufe por completo y fuertemente en la toma de corriente. La no observación de estas medidas puede provocar chispas, fuego y/o lesiones.
8. No sobrecargue las tomas de corriente, los cables alargadores o las regletas de enchufe ya que esto podría causar fuego o choques eléctricos.
9. En las mediciones en circuitos de corriente con una tensión  $U_{\text{eff}} > 30 \text{ V}$  se deberán tomar las medidas apropiadas para impedir cualquier peligro (p. ej. medios de medición adecuados, seguros, limitación de tensión, corte protector, aislamiento etc.).



## Instrucciones de seguridad elementales

10. Para la conexión con dispositivos informáticos como un PC o un ordenador industrial, debe comprobarse que éstos cumplan los estándares IEC60950-1/EN60950-1 o IEC61010-1/EN 61010-1 válidos en cada caso.
11. A menos que esté permitido expresamente, no retire nunca la tapa ni componentes de la carcasa mientras el producto esté en servicio. Esto pone a descubierto los cables y componentes eléctricos y puede causar lesiones, fuego o daños en el producto.
12. Si un producto se instala en un lugar fijo, se deberá primero conectar el conductor de protección fijo con el conductor de protección del producto antes de hacer cualquier otra conexión. La instalación y la conexión deberán ser efectuadas por un electricista especializado.
13. En el caso de dispositivos fijos que no estén provistos de fusibles, interruptor automático ni otros mecanismos de seguridad similares, el circuito de alimentación debe estar protegido de modo que todas las personas que puedan acceder al producto, así como el producto mismo, estén a salvo de posibles daños.
14. Todo producto debe estar protegido contra sobretensión (debida p. ej. a una caída del rayo) mediante los correspondientes sistemas de protección. Si no, el personal que lo utilice quedará expuesto al peligro de choque eléctrico.
15. No debe introducirse en los orificios de la caja del aparato ningún objeto que no esté destinado a ello. Esto puede producir cortocircuitos en el producto y/o puede causar choques eléctricos, fuego o lesiones.
16. Salvo indicación contraria, los productos no están impermeabilizados (ver también el capítulo "Estados operativos y posiciones de funcionamiento", punto 1). Por eso es necesario tomar las medidas necesarias para evitar la entrada de líquidos. En caso contrario, existe peligro de choque eléctrico para el usuario o de daños en el producto, que también pueden redundar en peligro para las personas.
17. No utilice el producto en condiciones en las que pueda producirse o ya se hayan producido condensaciones sobre el producto o en el interior de éste, como p. ej. al desplazarlo de un lugar frío a otro caliente. La entrada de agua aumenta el riesgo de choque eléctrico.
18. Antes de la limpieza, desconecte por completo el producto de la alimentación de tensión (p. ej. red de alimentación o batería). Realice la limpieza de los aparatos con un paño suave, que no se deshilache. No utilice bajo ningún concepto productos de limpieza químicos como alcohol, acetona o diluyentes para lacas nitrocelulósicas.

## Instrucciones de seguridad elementales

### Funcionamiento

1. El uso del producto requiere instrucciones especiales y una alta concentración durante el manejo. Debe asegurarse que las personas que manejen el producto estén a la altura de los requerimientos necesarios en cuanto a aptitudes físicas, psíquicas y emocionales, ya que de otra manera no se pueden excluir lesiones o daños de objetos. El empresario u operador es responsable de seleccionar el personal usuario apto para el manejo del producto.
2. Antes de desplazar o transportar el producto, lea y tenga en cuenta el capítulo "Transporte".
3. Como con todo producto de fabricación industrial no puede quedar excluida en general la posibilidad de que se produzcan alergias provocadas por algunos materiales empleados —los llamados alérgenos (p. ej. el níquel)—. Si durante el manejo de productos Rohde & Schwarz se producen reacciones alérgicas, como p. ej. irritaciones cutáneas, estornudos continuos, enrojecimiento de la conjuntiva o dificultades respiratorias, debe avisarse inmediatamente a un médico para investigar las causas y evitar cualquier molestia o daño a la salud.
4. Antes de la manipulación mecánica y/o térmica o el desmontaje del producto, debe tenerse en cuenta imprescindiblemente el capítulo "Eliminación/protección del medio ambiente", punto 1.
5. Ciertos productos, como p. ej. las instalaciones de radiocomunicación RF, pueden a causa de su función natural, emitir una radiación electromagnética aumentada. Deben tomarse todas las medidas necesarias para la protección de las mujeres embarazadas. También las personas con marcapasos pueden correr peligro a causa de la radiación electromagnética. El empresario/operador tiene la obligación de evaluar y señalar las áreas de trabajo en las que exista un riesgo elevado de exposición a radiaciones.
6. Tenga en cuenta que en caso de incendio pueden desprenderse del producto sustancias tóxicas (gases, líquidos etc.) que pueden generar daños a la salud. Por eso, en caso de incendio deben usarse medidas adecuadas, como p. ej. máscaras antigás e indumentaria de protección.

## Instrucciones de seguridad elementales

7. Los productos con láser están provistos de indicaciones de advertencia normalizadas en función de la clase de láser del que se trate. Los rayos láser pueden provocar daños de tipo biológico a causa de las propiedades de su radiación y debido a su concentración extrema de potencia electromagnética. En caso de que un producto Rohde & Schwarz contenga un producto láser (p. ej. un lector de CD/DVD), no debe usarse ninguna otra configuración o función aparte de las descritas en la documentación del producto, a fin de evitar lesiones (p. ej. debidas a irradiación láser).
8. Clases de compatibilidad electromagnética (conforme a EN 55011 / CISPR 11; y en analogía con EN 55022 / CISPR 22, EN 55032 / CISPR 32)
  - Aparato de clase A:  
Aparato adecuado para su uso en todos los entornos excepto en los residenciales y en aquellos conectados directamente a una red de distribución de baja tensión que suministra corriente a edificios residenciales.  
Nota: Los aparatos de clase A están destinados al uso en entornos industriales. Estos aparatos pueden causar perturbaciones radioeléctricas en entornos residenciales debido a posibles perturbaciones guiadas o radiadas. En este caso, se le podrá solicitar al operador que tome las medidas adecuadas para eliminar estas perturbaciones.
  - Aparato de clase B:  
Aparato adecuado para su uso en entornos residenciales, así como en aquellos conectados directamente a una red de distribución de baja tensión que suministra corriente a edificios residenciales.

## Reparación y mantenimiento

1. El producto solamente debe ser abierto por personal especializado con autorización para ello. Antes de manipular el producto o abrirlo, es obligatorio desconectarlo de la tensión de alimentación, para evitar toda posibilidad de choque eléctrico.
2. El ajuste, el cambio de partes, el mantenimiento y la reparación deberán ser efectuadas solamente por electricistas autorizados por Rohde & Schwarz. Si se reponen partes con importancia para los aspectos de seguridad (p. ej. el enchufe, los transformadores o los fusibles), solamente podrán ser sustituidos por partes originales. Después de cada cambio de partes relevantes para la seguridad deberá realizarse un control de seguridad (control a primera vista, control del conductor de protección, medición de resistencia de aislamiento, medición de la corriente de fuga, control de funcionamiento). Con esto queda garantizada la seguridad del producto.

## Instrucciones de seguridad elementales

### Baterías y acumuladores o celdas

*Si no se siguen (o se siguen de modo insuficiente) las indicaciones en cuanto a las baterías y acumuladores o celdas, pueden producirse explosiones, incendios y/o lesiones graves con posible consecuencia de muerte. El manejo de baterías y acumuladores con electrolitos alcalinos (p. ej. celdas de litio) debe seguir el estándar EN 62133.*

1. No deben desmontarse, abrirse ni triturarse las celdas.
2. Las celdas o baterías no deben someterse a calor ni fuego. Debe evitarse el almacenamiento a la luz directa del sol. Las celdas y baterías deben mantenerse limpias y secas. Limpiar las conexiones sucias con un paño seco y limpio.
3. Las celdas o baterías no deben cortocircuitarse. Es peligroso almacenar las celdas o baterías en estuches o cajones en cuyo interior puedan cortocircuitarse por contacto recíproco o por contacto con otros materiales conductores. No deben extraerse las celdas o baterías de sus embalajes originales hasta el momento en que vayan a utilizarse.
4. Las celdas o baterías no deben someterse a impactos mecánicos fuertes indebidos.
5. En caso de falta de estanqueidad de una celda, el líquido vertido no debe entrar en contacto con la piel ni los ojos. Si se produce contacto, lavar con agua abundante la zona afectada y avisar a un médico.
6. En caso de cambio o recarga inadecuados, las celdas o baterías que contienen electrolitos alcalinos (p. ej. las celdas de litio) pueden explotar. Para garantizar la seguridad del producto, las celdas o baterías solo deben ser sustituidas por el tipo Rohde & Schwarz correspondiente (ver lista de recambios).
7. Las baterías y celdas deben reciclarse y no deben tirarse a la basura doméstica. Las baterías o acumuladores que contienen plomo, mercurio o cadmio deben tratarse como residuos especiales. Respete en esta relación las normas nacionales de eliminación y reciclaje.

### Transporte

1. El producto puede tener un peso elevado. Por eso es necesario desplazarlo o transportarlo con precaución y, si es necesario, usando un sistema de elevación adecuado (p. ej. una carretilla elevadora), a fin de evitar lesiones en la espalda u otros daños personales.

## **Instrucciones de seguridad elementales**

2. Las asas instaladas en los productos sirven solamente de ayuda para el transporte del producto por personas. Por eso no está permitido utilizar las asas para la sujeción en o sobre medios de transporte como p. ej. grúas, carretillas elevadoras de horquilla, carros etc. Es responsabilidad suya fijar los productos de manera segura a los medios de transporte o elevación. Para evitar daños personales o daños en el producto, siga las instrucciones de seguridad del fabricante del medio de transporte o elevación utilizado.
3. Si se utiliza el producto dentro de un vehículo, recae de manera exclusiva en el conductor la responsabilidad de conducir el vehículo de manera segura y adecuada. El fabricante no asumirá ninguna responsabilidad por accidentes o colisiones. No utilice nunca el producto dentro de un vehículo en movimiento si esto pudiera distraer al conductor. Asegure el producto dentro del vehículo debidamente para evitar, en caso de un accidente, lesiones u otra clase de daños.

### **Eliminación/protección del medio ambiente**

1. Los dispositivos marcados contienen una batería o un acumulador que no se debe desechar con los residuos domésticos sin clasificar, sino que debe ser recogido por separado. La eliminación se debe efectuar exclusivamente a través de un punto de recogida apropiado o del servicio de atención al cliente de Rohde & Schwarz.
2. Los dispositivos eléctricos usados no se deben desechar con los residuos domésticos sin clasificar, sino que deben ser recogidos por separado. Rohde & Schwarz GmbH & Co.KG ha elaborado un concepto de eliminación de residuos y asume plenamente los deberes de recogida y eliminación para los fabricantes dentro de la UE. Para desechar el producto de manera respetuosa con el medio ambiente, diríjase a su servicio de atención al cliente de Rohde & Schwarz.
3. Si se trabaja de manera mecánica y/o térmica cualquier producto o componente más allá del funcionamiento previsto, pueden liberarse sustancias peligrosas (polvos con contenido de metales pesados como p. ej. plomo, berilio o níquel). Por eso el producto solo debe ser desmontado por personal especializado con formación adecuada. Un desmontaje inadecuado puede ocasionar daños para la salud. Se deben tener en cuenta las directivas nacionales referentes a la eliminación de residuos.

## **Instrucciones de seguridad elementales**

4. En caso de que durante el trato del producto se formen sustancias peligrosas o combustibles que deban tratarse como residuos especiales (p. ej. refrigerantes o aceites de motor con intervalos de cambio definidos), deben tenerse en cuenta las indicaciones de seguridad del fabricante de dichas sustancias y las normas regionales de eliminación de residuos. Tenga en cuenta también en caso necesario las indicaciones de seguridad especiales contenidas en la documentación del producto. La eliminación incorrecta de sustancias peligrosas o combustibles puede causar daños a la salud o daños al medio ambiente.

Se puede encontrar más información sobre la protección del medio ambiente en la página web de Rohde & Schwarz.

## Safety Instructions for Active Voltage Probes

When handling active voltage probes, the following basic rules must be observed. Prior to using an active voltage probe, read the applicable manual including the safety instructions. Keep the safety instructions and the product documentation in a safe place and pass them on to other users. Use active voltage probes exclusively within the measurement ranges specified in the applicable data sheets. Rohde & Schwarz accepts no responsibility for misuse of the product. Use only the accessories supplied with the active voltage probe.

---

### **WARNING**

#### **Risk of electric shock**

Do not connect an active voltage probe to any voltage that exceeds the maximum permissible input voltage specified in the data sheet. Non-compliance with this instruction carries the risk of an electric shock.

Make sure not to cause any short circuits when performing measurements on sources with high output currents. Short circuits may cause injuries or burns.

---

---

### **CAUTION**

#### **Risk of injury caused by pointed object**

The pins of the active voltage probes are extremely pointed and can easily penetrate clothes and the skin.

Therefore, handle the probe pins with great care. When transporting an active voltage probe, e.g. when carrying it in a pocket or tool bag, always use the box supplied with the probe. To exchange a probe pin, use tweezers or pliers to avoid injuries.

---

## Informaciones de seguridad para el uso de sondas de voltaje activas

A la hora de manejar una sonda de voltaje activa, es necesario seguir las siguientes instrucciones de uso básicas. Lea primero el manual de manejo correspondiente incluyendo las instrucciones de seguridad. Guarde las instrucciones de seguridad y la documentación de producto en un lugar seguro y páselas a otros usuarios. Utilice la sonda de voltaje solamente en el rango de medida indicado en la hoja de datos. Rohde & Schwarz no asume ninguna responsabilidad en el caso del uso inadecuado del producto.

---

### **⚠ ADVERTENCIA**

#### **Peligro de descarga eléctrica**

No conecte la sonda de voltaje a ninguna tensión que supere el valor máximo indicado en la hoja de datos. En caso de incumplimiento se corre el riesgo de una descarga eléctrica.

Tenga cuidado en no ocasionar cortocircuitos a la hora de realizar medidas en fuentes de alta corriente de salida. Los cortocircuitos pueden ocasionar lesiones o quemaduras.

---

---

### **⚠ ATENCIÓN**

#### **Riesgo de lesiones por objeto puntiagudo**

Los pines de la sonda de voltaje activa son extremadamente puntiagudos y pueden penetrar fácilmente en la ropa y en la piel.

Por eso se recomienda manipularlos cuidadosamente. Por ejemplo, si transportan la sonda en un bolsillo o en la bolsa de herramientas, utilice permanentemente la caja suministrada con la sonda. Para evitar lesiones utilice una pinza o una tenaza a la hora de cambiar un pin de la sonda.

---



# Customer Support

## Technical support – where and when you need it

For quick, expert help with any Rohde & Schwarz equipment, contact one of our Customer Support Centers. A team of highly qualified engineers provides telephone support and will work with you to find a solution to your query on any aspect of the operation, programming or applications of Rohde & Schwarz equipment.

## Up-to-date information and upgrades

To keep your instrument up-to-date and to be informed about new application notes related to your instrument, please send an e-mail to the Customer Support Center stating your instrument and your wish.

We will take care that you will get the right information.

### Europe, Africa, Middle East

Phone +49 89 4129 12345  
[customersupport@rohde-schwarz.com](mailto:customersupport@rohde-schwarz.com)

### North America

Phone 1-888-TEST-RSA (1-888-837-8772)  
[customer.support@rsa.rohde-schwarz.com](mailto:customer.support@rsa.rohde-schwarz.com)

### Latin America

Phone +1-410-910-7988  
[customersupport.la@rohde-schwarz.com](mailto:customersupport.la@rohde-schwarz.com)

### Asia/Pacific

Phone +65 65 13 04 88  
[customersupport.asia@rohde-schwarz.com](mailto:customersupport.asia@rohde-schwarz.com)

### China

Phone +86-800-810-8228 /  
+86-400-650-5896  
[customersupport.china@rohde-schwarz.com](mailto:customersupport.china@rohde-schwarz.com)



# Contents

<b>1 Product Description</b> .....	<b>7</b>
<b>1.1 Key Features and Key Characteristics</b> .....	<b>7</b>
1.1.1 Key Characteristics.....	7
1.1.2 Key Features.....	8
<b>1.2 Unpacking the Instrument</b> .....	<b>9</b>
1.2.1 Inspecting the Contents.....	9
<b>1.3 Description of the Probe</b> .....	<b>10</b>
1.3.1 Probe Head.....	10
1.3.2 Probe Box.....	11
<b>1.4 Accessories and Items</b> .....	<b>12</b>
1.4.1 Accessories Supplied.....	13
1.4.2 Optional Accessories.....	15
1.4.3 Service Accessories.....	16
<b>2 Putting into Operation</b> .....	<b>18</b>
<b>2.1 Installation</b> .....	<b>19</b>
2.1.1 Connecting the Probe to the R&S RTO Oscilloscope.....	20
2.1.2 Identification of the Probe.....	20
2.1.3 AutoZero.....	21
<b>2.2 Micro Button</b> .....	<b>22</b>
<b>2.3 Offset Compensation</b> .....	<b>22</b>
2.3.1 Differential Offset.....	22
2.3.2 Common Mode Offset.....	24
<b>2.4 R&amp;S ProbeMeter</b> .....	<b>25</b>
<b>3 R&amp;S RT-ZA15 External Attenuator</b> .....	<b>27</b>
<b>3.1 Key Characteristics</b> .....	<b>27</b>

<b>3.2 Description</b> .....	<b>27</b>
<b>3.3 Inserting the Probe</b> .....	<b>28</b>
<b>3.4 Adjusting</b> .....	<b>29</b>
<b>3.5 Maximum Input Voltage</b> .....	<b>34</b>
<b>4 Connecting the Probe to the DUT</b> .....	<b>35</b>
<b>5 Characteristics of Differential Probes</b> .....	<b>41</b>
5.1 Common Mode Rejection Ratio (CMRR).....	42
5.2 Dynamic Range and Operating Voltage Window.....	43
5.3 Maximum Non-Destructive Input Voltage.....	44
5.4 Ground Connection.....	44
<b>6 Measurement Principles</b> .....	<b>46</b>
6.1 Signal Integrity of the Transferred Signal.....	48
6.1.1 Bandwidth.....	48
6.1.2 Connection Inductance.....	50
6.1.3 CMRR.....	52
6.2 Signal Loading of the Input Signal.....	52
6.2.1 Signal Loading for Differential Input Signals.....	53
6.2.2 Signal Loading for Non-Differential Input Signals.....	55
6.3 Probing Philosophy.....	55
<b>7 Maintenance and Service</b> .....	<b>57</b>
7.1 Service Strategy.....	57
7.2 Returning the Probe for Servicing.....	57
7.3 Cleaning.....	58
7.4 Calibration Interval.....	58
<b>8 Functional Check</b> .....	<b>59</b>
8.1 Initialization.....	60

**8.2 DC Offset..... 61**

**8.3 DC Accuracy.....62**

**8.4 Offset Compensation.....63**

**Index..... 64**



# 1 Product Description

## 1.1 Key Features and Key Characteristics

The R&S RT-ZD10/20/30 is a differential probe with high input impedance. It allows the user to make differential voltage measurements from DC to 1.0 GHz, 1.5 GHz, and 3 GHz, respectively.

Differential probes can be used for single-ended and differential applications. Because differential probes are equipped with two high-impedance inputs, they measure the voltage between any two test points. Unlike with single-ended probes, the user does not have to ensure that one of the test points is always at ground potential.

The comprehensive accessory set allows this probe to be connected to a wide variety of devices under test (DUT). Provided with special features such as the R&S ProbeMeter and the micro button, the R&S RT-ZD10/20/30 is designed to meet tomorrow's challenges in probing.

The external attenuator R&S RT-ZA15 can be used to extend the input voltage range of the R&S RT-ZD10/20/30. It is supplied with the R&S RT-ZD10 and is available as optional accessory for the R&S RT-ZD20/30.

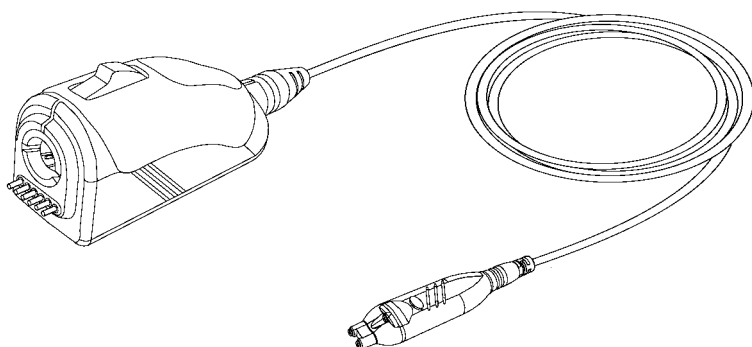
Since the probe is equipped with Rohde & Schwarz probe interface, it can be connected to any Rohde & Schwarz base unit that is compatible with this interface. When connected to the front panel of an R&S oscilloscope, the probe is controlled via the software menus of the oscilloscope.

Using a specially developed adapter (see [chapter 1.4.2, "Optional Accessories"](#), on page 15), the probe can be connected to any other base unit.

### 1.1.1 Key Characteristics

The key characteristics of the probe are the following:

## Key Features and Key Characteristics



Bandwidth	DC to 1.0 GHz (R&S RT-ZD10) DC to 1.5 GHz (R&S RT-ZD20) DC to 3.0 GHz (R&S RT-ZD30)
Dynamic range (differential input)	±5 V with ±5 V offset capability 10 V AC (V <sub>pp</sub> )
Operating voltage window (each pin to GND)	±8 V with ±22 V common mode offset capability available for R&S RT-ZD10/20/30 probes with serial number ≥ 200000
Diff. input resistance	1 MΩ
Diff. input capacitance	0.6 pF
R&S ProbeMeter, measurement error	<0.1 %
Extremely low zero and gain errors throughout the entire temperature range, no significant temperature drift	
Micro button	
Rohde & Schwarz probe interface	

## 1.1.2 Key Features

### Micro button

The micro button is located at the probe head. The micro button can be configured via the base unit. By pressing it, the user can remotely control different functions on the base unit. For details, see [chapter 2.2, "Micro Button"](#), on page 22.

### R&S ProbeMeter

The R&S ProbeMeter measures the DC voltage of the input signal directly at the probe tip. It provides a continuous high-precision DC voltage measurement that is independent of the settings of the oscilloscope and in parallel to the time domain

measurement. If activated on the base unit, the measurement value is displayed on the screen of the R&S oscilloscope. For details, see [chapter 2.4, "R&S ProbeMeter"](#), on page 25.

The R&S ProbeMeter records both differential and common mode DC voltages.

### Data memory

The probe includes an integrated data memory with individual probe correction parameters (e.g. gain, delay, offset). These correction parameters are read out and processed by the R&S oscilloscope. As a result, the probe offers a very high degree of accuracy so that additional calibration procedures are not required.

## 1.2 Unpacking the Instrument

The carrying case contains the following items:



- R&S RT-ZD10/20/30 differential probe
- Accessory box
- Accessory vials
- User manual
- R&S RT-ZD10/20/30 data sheet
- Calibration certificate
- Documentation of calibration values (if ordered)
- R&S RT-ZA15 external attenuator (only with R&S RT-ZD10)

### 1.2.1 Inspecting the Contents

- Inspect the package for damage.  
Keep a damaged package and the cushioning material until the contents have been checked for completeness and the instrument has been tested.  
If the packaging material shows any signs of stress, notify the carrier as well as your Rohde & Schwarz service center. Keep the package and cushioning material for inspection.
- Inspect the probe.



## Description of the Probe

If there is any damage or defect, or if the R&S RT-ZD10/20/30 differential probe does not operate properly, notify your Rohde & Schwarz service center.

- Inspect the accessories.

If the contents are incomplete or damaged, notify your Rohde & Schwarz service center.

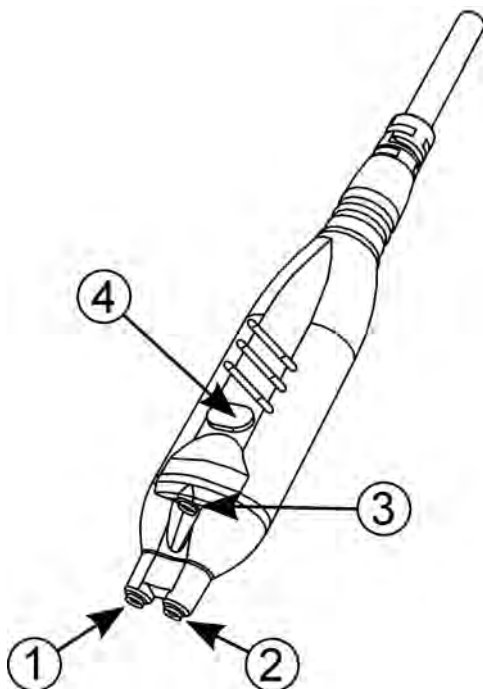
Accessories supplied with the instrument are listed in [chapter 1.4.1, "Accessories Supplied"](#), on page 13.

## 1.3 Description of the Probe

The probe consists of the probe head for connection to the DUT, the probe box for connection to the oscilloscope, and the probe cable.

### 1.3.1 Probe Head

The small and lightweight probe head is designed for easy handling and high-performance measurements. The probe head is used for connecting the probe and the DUT. Different accessories for the signal and ground sockets allow the probe head to be connected to a wide range of DUTs.



- (1) Positive signal socket
- (2) Negative signal socket
- (3) Ground socket
- (4) Micro button

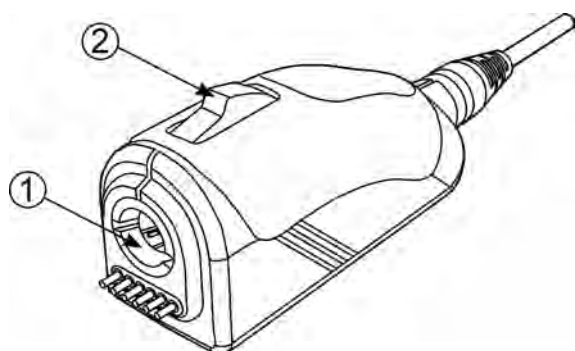
The accessories supplied for the probe head sockets are listed in [chapter 1.4.1, "Accessories Supplied"](#), on page 13.

Signal and ground sockets are compatible with 0.64 mm (25 mil) square pins and 0.6 mm to 0.8 mm (24 mil to 35 mil) round pins.

The signal sockets have a spacing of 5.08 mm (200 mil).

### 1.3.2 Probe Box

The probe box connects the probe and the oscilloscope via the Rohde & Schwarz probe interface. The Rohde & Schwarz probe interface contains a male precision 7 mm (276 mil) BNC connector and six pogo pin connectors. This interface provides the required supply voltage and is also used for simultaneously transmitting analog signals and digital data. All the analog voltages required by the probe are generated in the probe box. This approach ensures that it will be possible to operate future probes on any base unit that features a Rohde & Schwarz probe interface.



- (1) Rohde & Schwarz probe interface with 7 mm (276 mil) coaxial connector and 6 pogo pins
- (2) Release knob

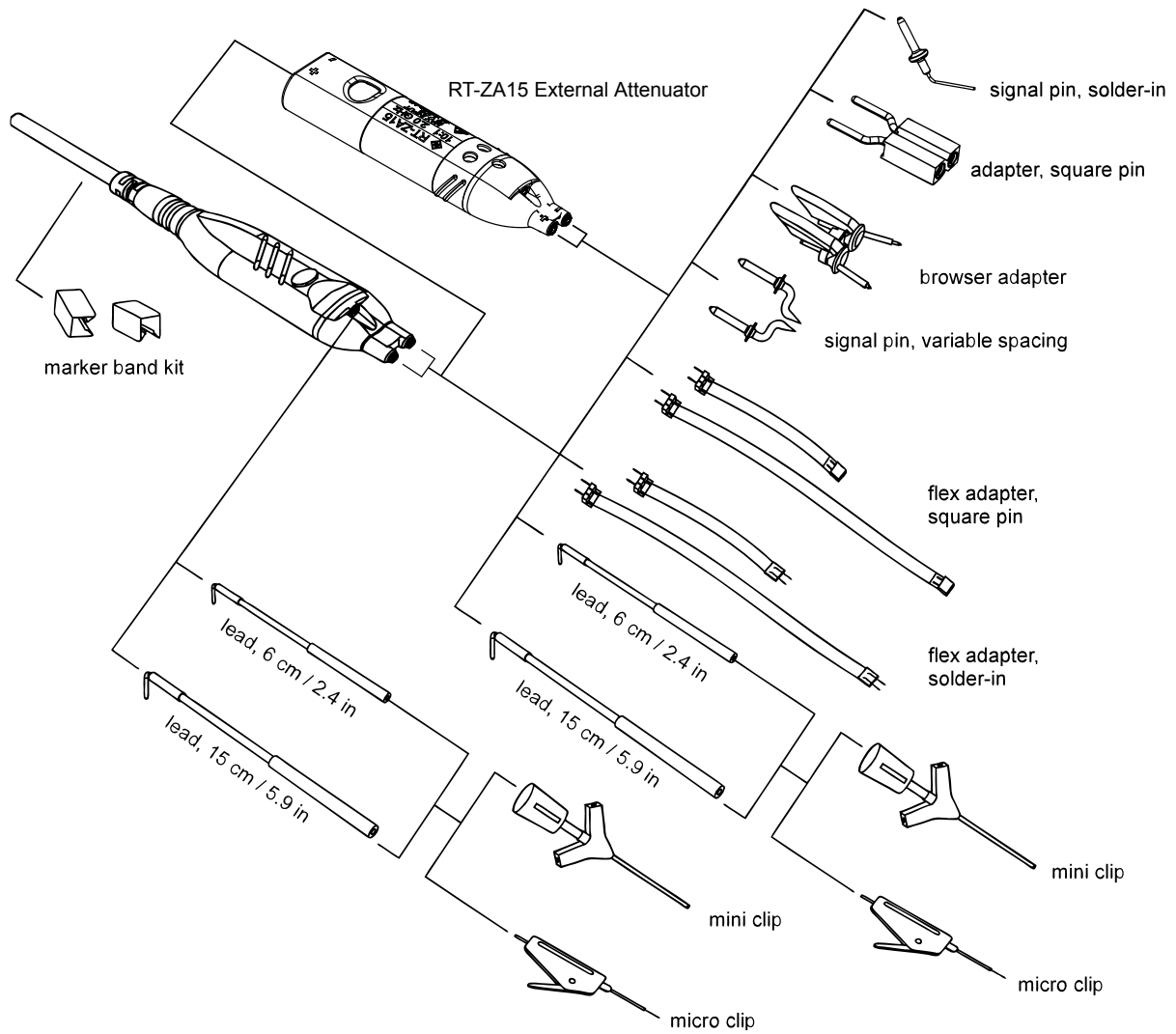
#### **NOTICE**

##### **Risk of interface damage**

Make sure to connect the probe only to a base unit or an adapter having a Rohde & Schwarz interface. Do **not** connect the probe to a commercially available BNC jack, as this can cause irreparable damage to the interface. From the outside, the 7 mm coaxial connector looks like a standard BNC connector. However, it is constructed differently and is capable of a significantly higher frequency limit.

## 1.4 Accessories and Items

The figure below shows all accessories that are available for the R&S RT-ZD10/20/30 differential probe.

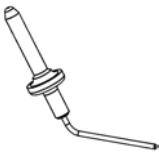
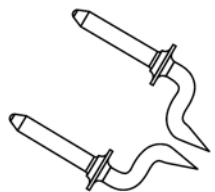
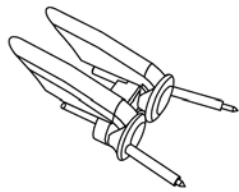
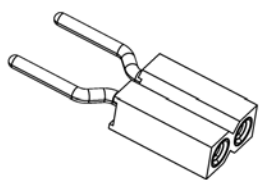
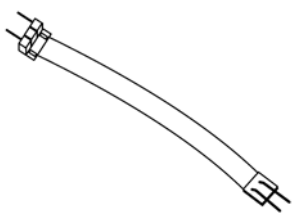
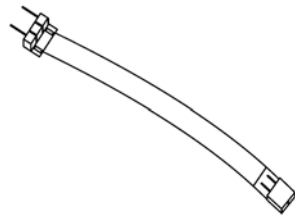


**Fig. 1-1: Available accessories**

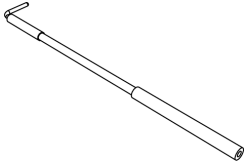
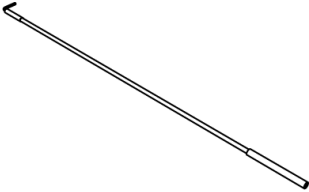
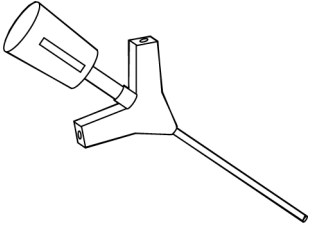
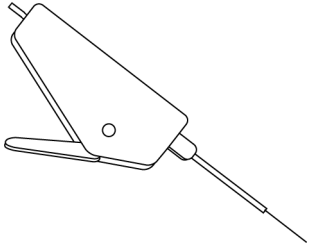
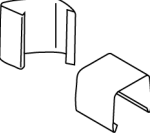
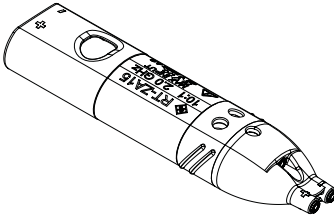
## 1.4.1 Accessories Supplied

The following table shows the accessories supplied with the R&S RT-ZD10/20/30 differential probe.


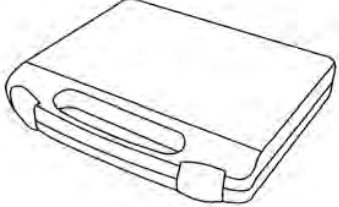
**Table 1-1: Accessories supplied**

Item	Quantity	Description
	10	Signal pin, solder-in
	4	Signal pin, variable spacing
	1	Browser adapter
	2	Adapter, square pin
	1 1	Flex adapter, solder-in, 4 cm / 1.6 in 10 cm / 3.9 in
	1 1	Flex adapter, square pin, 4 cm / 1.6 in 10 cm / 3.9 in

## Accessories and Items

Item	Quantity	Description
	2	Lead, 6 cm / 2.4 in
	1	Lead, 15 cm / 5.9 in
	2	Mini clip
	2	Micro clip
	1	Marker band kit
	1 (only with R&S RT-ZD10)	External attenuator

## Accessories and Items

Item	Quantity	Description
	1 (only with R&S RT-ZD10)	Adjustment tool
	1	Carrying case with foam inlay

## 1.4.2 Optional Accessories

If the included accessories do not meet individual customer requirements, Rohde & Schwarz offers different accessory sets for sale.

**Table 1-2: R&S RT-ZA4 Mini Clips**

Item	Quantity	Description
Mini clip	10	This set contains mini clips.

**Table 1-3: R&S RT-ZA5 Micro Clips**

Item	Quantity	Description
Micro clip	4	This set contains micro clips.

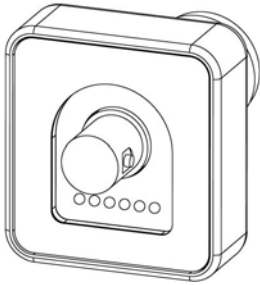
**Table 1-4: R&S RT-ZA6 Lead Set**

Item	Quantity	Description
Lead, 6 cm / 2.4 in	5	This set contains short and long leads.
Lead, 15 cm / 5.9 in	5	

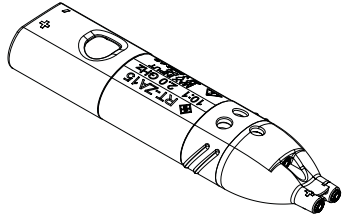
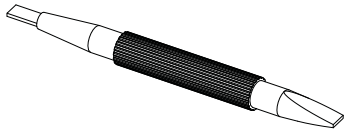
**Table 1-5: R&S RT-ZA7 Differential Pin Set**

Item	Quantity	Description
Signal pin, solder-in	20	This set contains the pins available for the R&S RT-ZD10/20/30.
Signal pin, variable spacing	10	
Browser adapter, pogo / pogo	1	
Browser adapter, rigid / pogo	1	
Adapter, square pin	2	

**Table 1-6: R&S RT-ZA9 probe box to N / USB adapter**

	<p>The adapter can be used to connect the R&amp;S RT-ZD10/20/30 differential probe to any other oscilloscope or any other measurement instrument (e.g. a network or spectrum analyzer).</p> <p>Using the USB interface of the adapter, the probe can be powered and controlled from any conventional PC.</p>
---	--

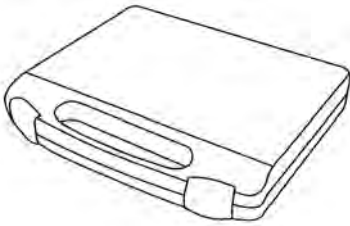
**Table 1-7: R&S RT-ZA15 external attenuator (optional for R&S RT-ZD20/30)**

	<p>1</p>	<p>External attenuator</p>
	<p>1</p>	<p>Adjustment tool</p>

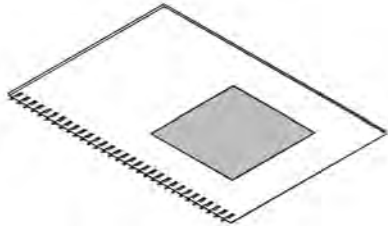
### 1.4.3 Service Accessories

The following accessories are optionally available for servicing the probe.

**Table 1-8: R&S RT-ZK2 Service Kit**

	<p>The R&amp;S RT-ZK2 Service Kit is used for calibrating the R&amp;S RT-ZD10/20/30 differential probe, for making performance tests and for servicing. The service kit includes all adapters and accessories to connect the probe to the required measuring instruments. The R&amp;S RT-ZD10/20/30 Service Manual is included in the service kit CD-ROM.</p>
---	---

**Table 1-9: R&S RT-ZD10/20/30 Service Manual**

	The Service Manual contains a detailed description of the performance test for verifying the probe specifications.
---	--



All service accessories and items can be ordered from your Rohde & Schwarz service center.



## 2 Putting into Operation

The R&S RT-ZD10/20/30 differential probe has been designed to withstand a moderate amount of physical and electrical stress. You should treat the probe with care. It can be damaged if excessive force is applied to the probe tip.

---

**NOTICE**

Exercise care to prevent the probe from receiving mechanical shock.

Always handle the probe by the probe head or probe box.

Avoid putting excessive strain on the probe cable or exposing it to sharp bends.

Store the probe in a shock-resistant case such as the foam-lined shipping case that came with the probe.

---

---

**NOTICE**

Voltages above the specified limits of the R&S RT-ZD10/20/30 differential probe may damage the probe.

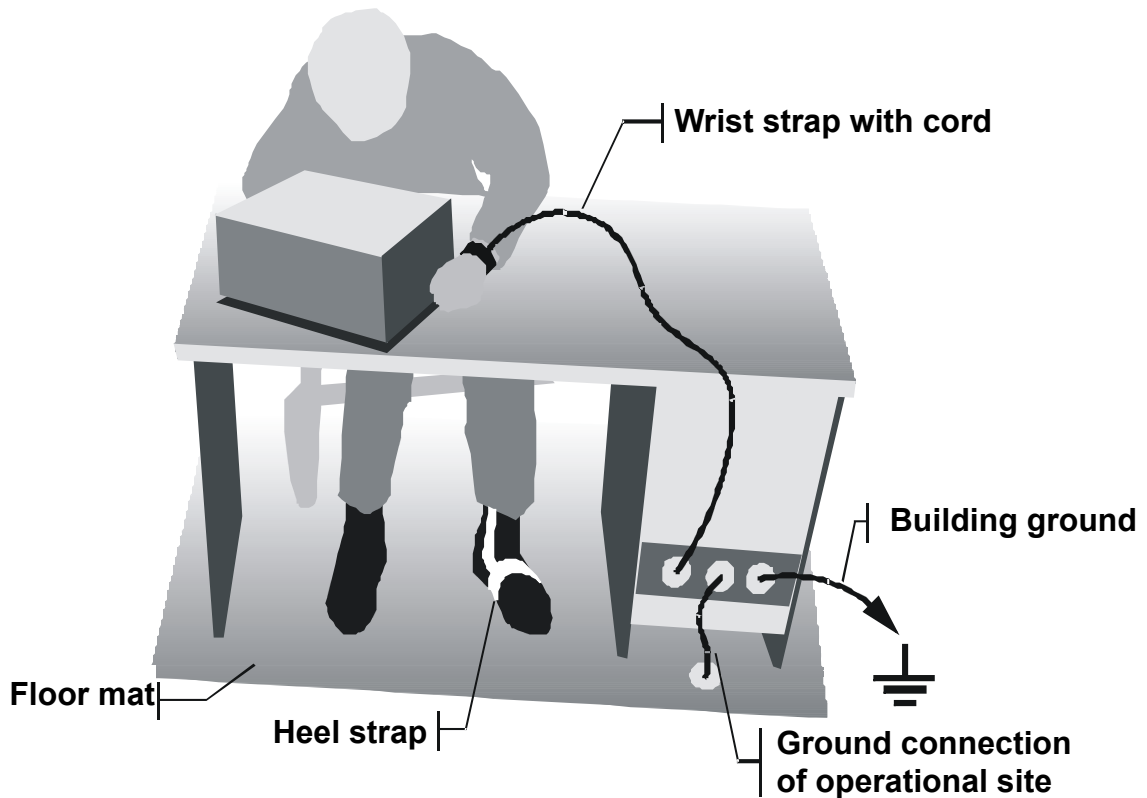
Do not exceed the specified limits.

---

During operation, the probe slightly heats up. This is normal behavior and not a sign of malfunction.

**NOTICE****Risk of damaging electronic components**

To avoid damage of electronic components, the operational site must be protected against electrostatic discharge (ESD).




The following two methods of ESD protection may be used together or separately:

- Wrist strap with cord to ground connection
- Conductive floor mat and heel strap combination

## 2.1 Installation

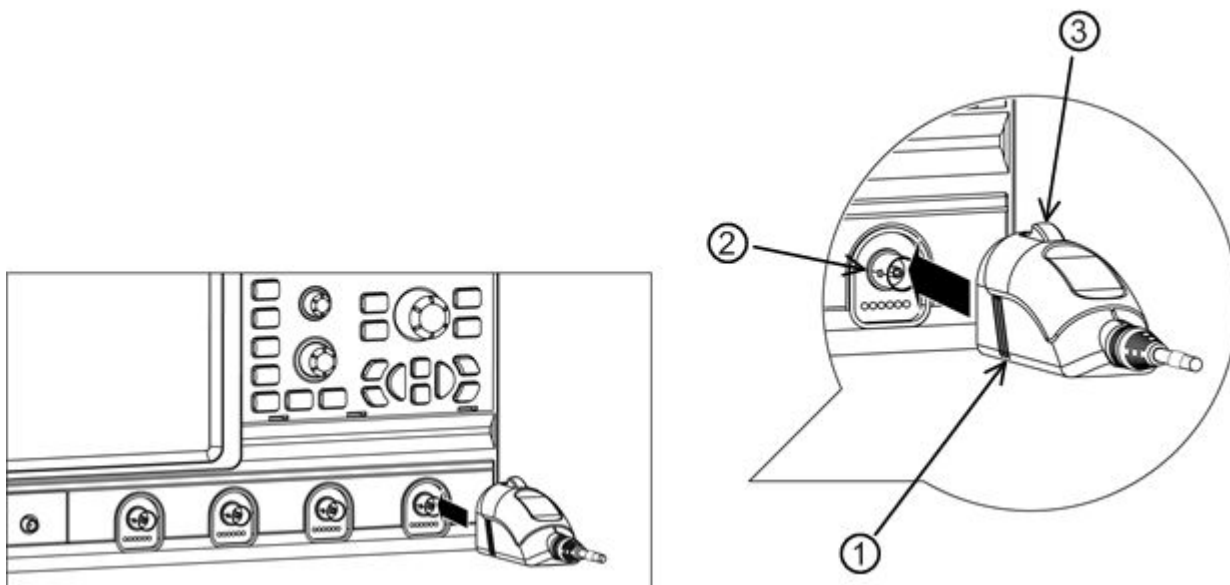
This section provides a quick introduction to the use of the R&S RT-ZD10/20/30 differential probe.

 All settings of the base unit described in this section refer to the R&S RTO oscilloscope. If any other oscilloscope is used, differences in settings and menu navigation may be possible.

### 2.1.1 Connecting the Probe to the R&S RTO Oscilloscope

The R&S RT-ZD10/20/30 differential probe has been designed for use with R&S RTO oscilloscopes.

- ▶ Connect the probe box (1) to the Rohde & Schwarz probe interface of the base unit (2). The probe will snap in when connected properly to the port.
- ▶ To disconnect, press the release button (3) and pull the probe box away from the front panel of the base unit.



*Fig. 2-1: Connecting the probe to the R&S RTO oscilloscope*

### 2.1.2 Identification of the Probe

When the probe is connected to the oscilloscope, the oscilloscope recognizes the probe and reads out the probe-specific parameters. The oscilloscope settings for attenuation and offset are automatically adjusted.

As soon as the probe is connected to the oscilloscope and the settings are adjusted, the waveform is shown for the channel to which the probe is connected.

To display probe-specific settings and information:

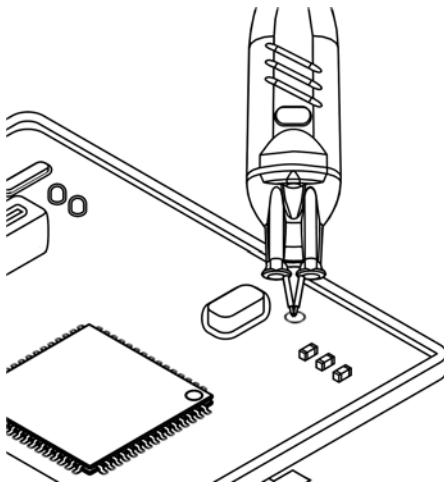
- ▶ On the "Vertical" menu, select "Probe Setup" and select the correct channel tab.

### 2.1.3 AutoZero

This procedure performs an automatic correction of the zero error displayed on the oscilloscope's screen. The waveform is set to 0 V on the horizontal centerline of the oscilloscope.

To perform the AutoZero function using the micro button (see also: [chapter 2.2, "Micro Button"](#), on page 22):

1. Connect the probe to the R&S RTO oscilloscope.
2. Configure the micro button function on the R&S RTO:  
"Vertical" menu > "Probe Setup" > "Ch" tab > "Micro button action" = 'Auto-Zero'.
3. Short the signal pins and the ground pin together.



4. Press the micro button.

Alternatively, AutoZero can be started in the dialog box of the R&S RTO:

- ▶ "Vertical" menu > "Probe Setup" > "Ch" tab > "Detect AutoZero"

## 2.2 Micro Button

The micro button provides easy and quick access to important functions of the R&S RTO. After a function has been assigned, pressing the micro button remotely controls this specific function on the base unit. For example, Continuous Run and AutoZero are commonly assigned to the micro button.

To assign a function to the micro button with the R&S RTO oscilloscope:

- ▶ "Vertical" menu > "Probe Setup" > "Ch" tab > "Micro button action"



For more details on the available functions and settings for the micro button, refer to the "User Manual" of the R&S oscilloscope.

---

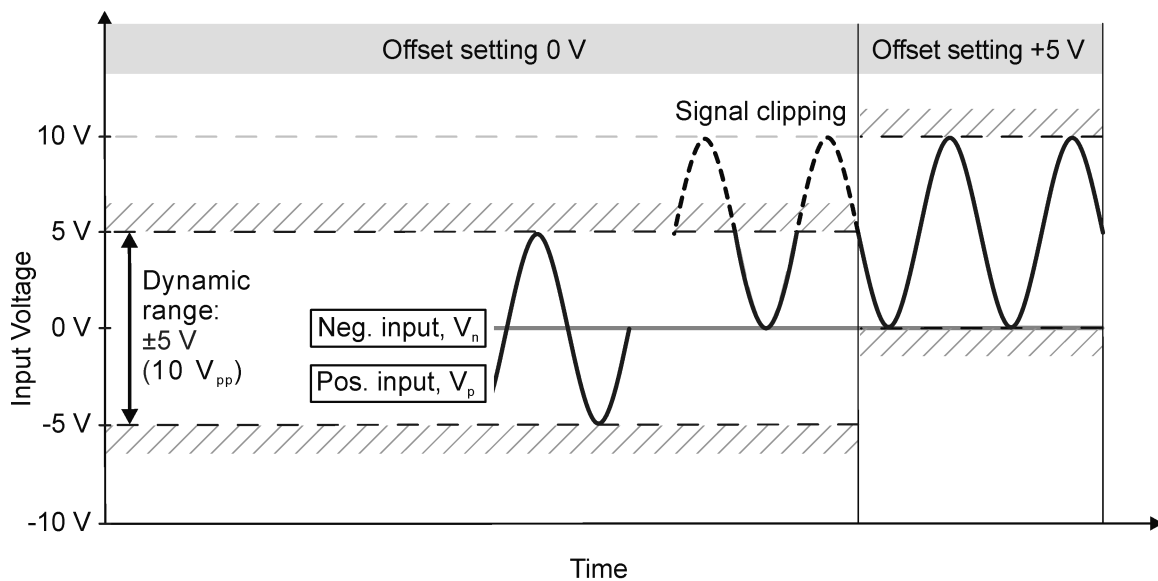
## 2.3 Offset Compensation

The R&S RT-ZD10/20/30 features two offset compensation functions: a differential offset compensation and a common mode offset compensation. Each function compensates a particular DC component of the input signal, even in front of the active amplifier in the probe tip. For a definition of differential and common mode input voltages, see [chapter 5, "Characteristics of Differential Probes"](#), on page 41.

### 2.3.1 Differential Offset

The differential offset compensation is often referred to as *offset compensation*.

The differential offset function can compensate a DC voltage applied between the positive and the negative input socket. This is particularly helpful if a small single-ended signal with a large DC offset is measured with a differential probe, for example, with the negative input socket connected to ground. As the R&S RT-ZD10/20/30 measures differential voltages, setting a differential offset compensation is directly visible on the oscilloscope screen as a voltage offset of the measured waveform.



**Fig. 2-2: Differential offset compensation for a single-ended measurement (negative input connected to ground) using an R&S RT-ZD10/20/30**

### To set the differential offset compensation on the front panel

1. Press the Vertical Position knob until the "Offset" setup is shown on the display.
2. Turn the Vertical Position knob.

### To set the differential offset compensation using the probe menu

1. On the "Vertical" menu, select "Probe Setup".
2. Select the channel and tap "Offset".

For more details on setting the offset compensation, refer to the "User Manual" of the R&S oscilloscope.

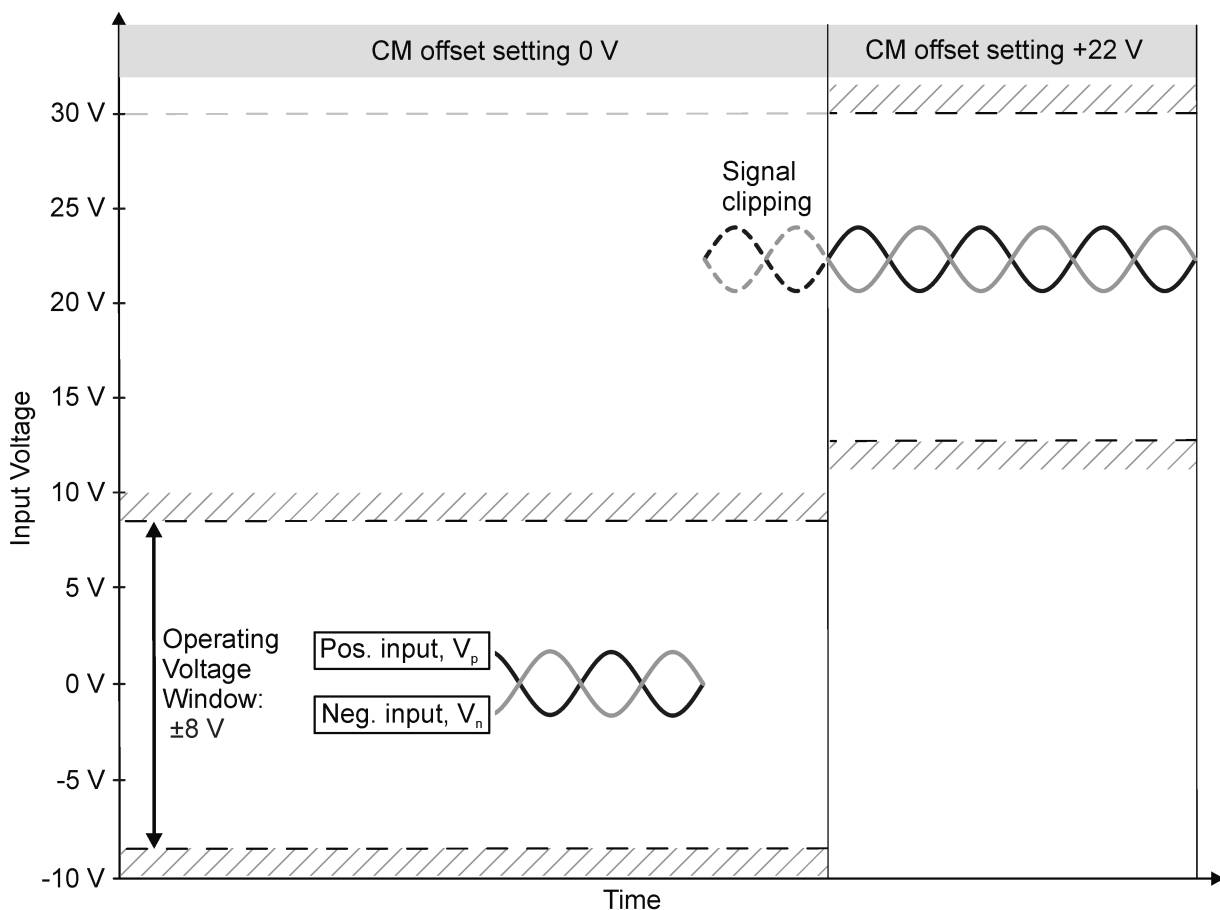
Additionally, the probe offers automatic offset compensation by means of the micro button. A single push on the micro button compensates the DC component of the measurement signal which is particularly helpful during measurements of input signals with different DC offsets (see also [chapter 2.2, "Micro Button"](#), on page 22).

### To assign "Set offset to mean" to the micro button

- ▶ "Vertical" menu > "Probe Setup" > "Ch" tab > "Micro button action" = "Set offset to mean"

## 2.3.2 Common Mode Offset

Common mode offset compensation is available for R&S RT-ZD probes with serial number  $\geq 200\,000$ . It can compensate a common DC voltage applied to both input sockets (referenced to the ground socket). This is particularly helpful for measurements on differential signals with high common mode levels, for example, current measurements using a shunt resistor.



**Fig. 2-3: Common mode (CM) offset compensation for a differential measurement**

If the input signals fit into the operating voltage window of the R&S RT-ZD10/20/30, it is not necessary to set a common mode offset compensation.

**NOTICE**

The R&S RT-ZD10/20/30 measures only differential input signals. Common mode signals are suppressed by the probe. Therefore, the common mode offset compensation is not directly visible on the oscilloscope screen, see also [chapter 5.2, "Dynamic Range and Operating Voltage Window"](#), on page 43. An incorrect common mode offset compensation can lead to unwanted clipping effects. Measuring the common mode input voltage using the R&S ProbeMeter is a convenient way to detect breaches of the operating voltage window.

**To set the common mode offset compensation using the probe menu**

1. On the "Vertical" menu, select "Probe Setup".
2. Select the channel and tap "CM offset".

## 2.4 R&S ProbeMeter

The integrated voltmeter can measure DC voltages with very high precision compared to the oscilloscope's DC accuracy. The DC measurement is performed continuously and in parallel to the time domain measurement of the oscilloscope. High-precision measurements are achieved through immediate digitization of the measured DC voltage inside the probe.

The R&S ProbeMeter measures the differential and common mode DC voltages simultaneously and without reconnecting the probe. For a definition of differential and common mode input voltages, see [chapter 5, "Characteristics of Differential Probes"](#), on page 41.

To activate the R&S ProbeMeter:

- ▶ Vertical > Probe Setup > Ch > R&S ProbeMeter 'on'

After the R&S ProbeMeter has been activated, the measured values are displayed on the screen of the oscilloscope.

Advantages of the R&S ProbeMeter:

- Enables the user to check DC voltages with different levels without having to adjust the measurement range of the oscilloscope.



- Provides a simple means of setting the oscilloscope's trigger level and vertical scaling if a waveform is not visible.
- Offers a unique way to detect unexpected or inadmissible common mode voltages, e.g. bias points - measurement of common mode DC voltages without reconnecting the probe.
- Independent of oscilloscope settings for offset, position, vertical scale, horizontal scale, and trigger.
- True DC measurement (integration time > 100 ms), not mathematical average of displayed waveform.
- Differential measurement range  $\pm 5\text{ V}$  + offset compensation setting.  
Common mode measurement range  $\pm 8\text{ V}$  + common mode offset compensation setting.
- High measurement accuracy and low temperature sensitivity, typically 0.1% of reading over the entire temperature range.

## 3 R&S RT-ZA15 External Attenuator

The R&S RT-ZA15 is an external 10:1 attenuator for the R&S RT-ZD10/20/30 differential probe. It extends the input voltage range of the R&S RT-ZD10/20/30 probe. Both dynamic range and operating voltage window are increased.

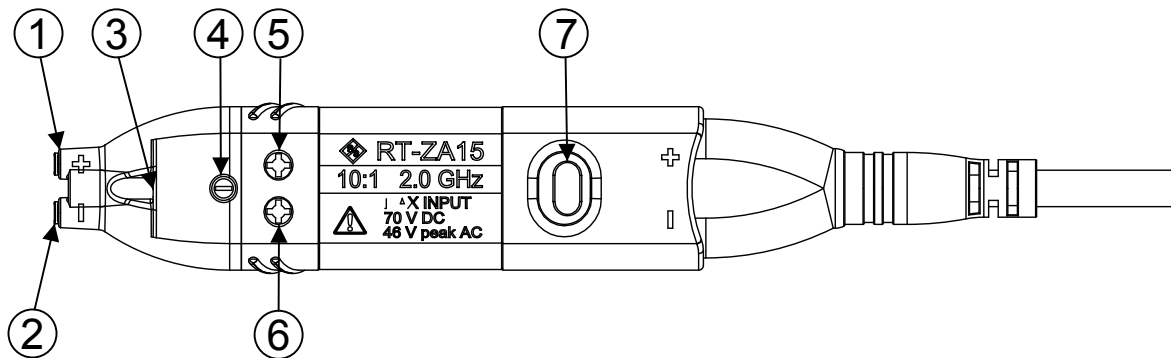
### 3.1 Key Characteristics

The combination of R&S RT-ZA15 external attenuator and R&S RT-ZD10/20/30 differential probe has the following key characteristics:

Attenuation	100:1
Bandwidth	DC to 1.0 GHz (with R&S RT-ZD10) DC to 1.5 GHz (with R&S RT-ZD20) DC to 2.0 GHz (with R&S RT-ZD30)
Dynamic range (differential input)	±50 V with ±50 V offset capability
Maximum input voltage (each pin to ground)	±70 V (DC) ±46 V (transient peak voltage)
Differential input resistance	1 MΩ
Differential input capacitance	1.3 pF

### 3.2 Description

The R&S RT-ZA15 external attenuator with inserted R&S RT-ZD10/20/30 is shown in [figure 3-1](#).



**Fig. 3-1: R&S RT-ZA15 external attenuator with inserted R&S RT-ZD10/20/30**

- 1 = Positive signal socket
- 2 = Negative signal socket
- 3 = Ground socket
- 4 = Trimmer for DC common mode rejection
- 5 = Trimmer for pulse response of positive input
- 6 = Trimmer for pulse response of negative input
- 7 = Notch for micro button

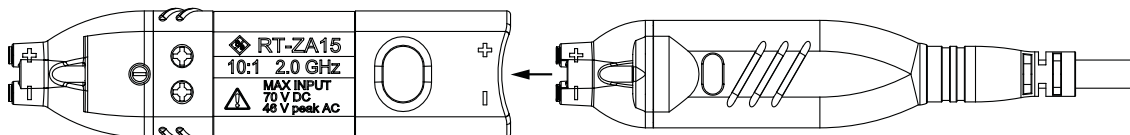


The R&S RT-ZA15 external attenuator has the same tip - and the same signal and ground sockets - as the R&S RT-ZD10/20/30 probe head. All accessories for the probe can be used with the external attenuator.

### 3.3 Inserting the Probe

To insert the probe in the R&S RT-ZA15 external attenuator and enable it on the oscilloscope proceed as follows.

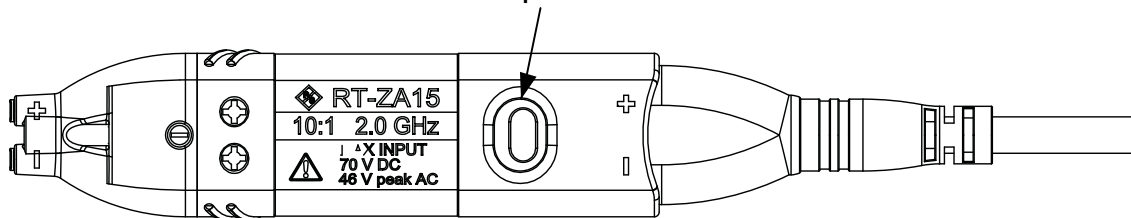
1. Remove all accessories from the R&S RT-ZD10/20/30 probe head.
2. Insert the probe into the rear opening of the attenuator.



**NOTICE:** The external attenuator must be attached with correct polarity. Make sure that the "+" and "-" marks on the probe and the attenuator match, and the notch for the micro button is on the same side as the micro button.

Attaching the attenuator with wrong polarity can damage the probe and the external attenuator.

3. Press the probe gently into the attenuator until the micro button matches the notch on the attenuator in a central position.



4. The oscilloscope cannot detect the external attenuator automatically. To adjust the scaling for display, R&S ProbeMeter and offsets, select the attenuator in the probe setup:  
"Vertical" menu > "Probe Setup" > "Ch" tab > "Attenuator RT-ZA15"

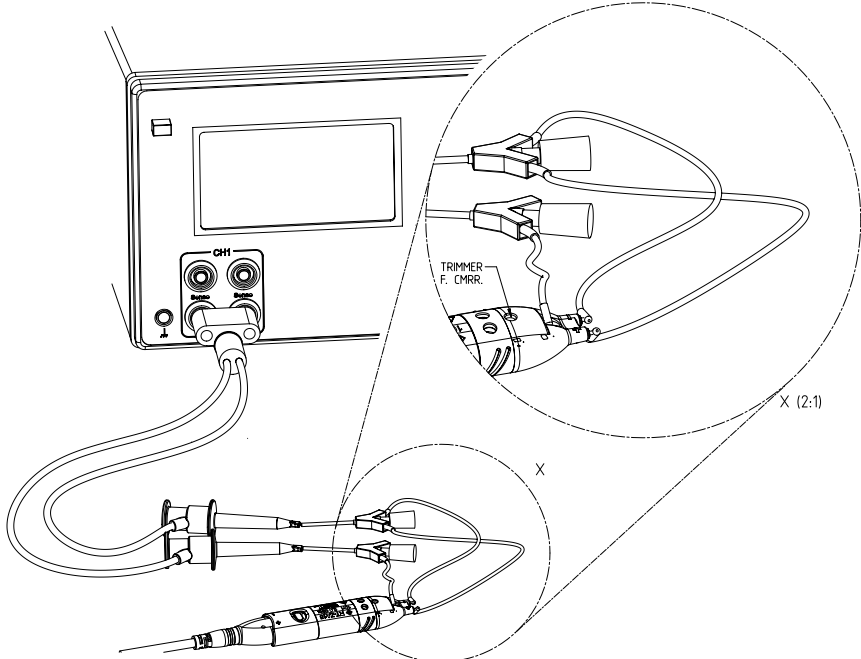


When you use the probe together with the external attenuator, hold them at the gripping section of the external attenuator to ensure optimal mechanical stability.

### 3.4 Adjusting

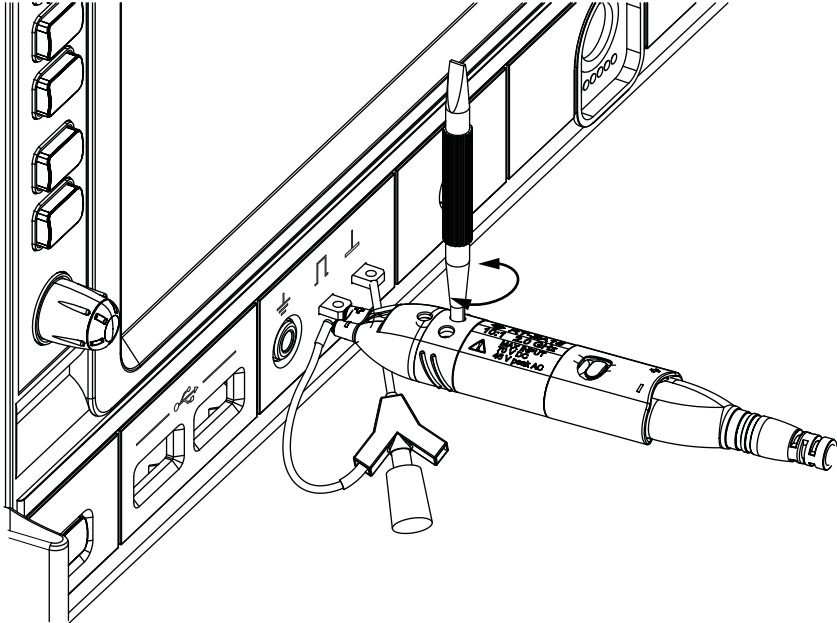
The R&S RT-ZA15 external attenuator is already factory-adjusted. For usual measurements, further adjustment is not necessary. For use cases with specific requirements to common mode rejection, it is possible to adjust the external attenuator when you use it together with a specific R&S RT-ZD10/20/30 probe. Therefore, the external attenuator has 3 trimmers to adjust the common mode rejection at DC and to adjust the pulse responses of the positive and negative inputs.

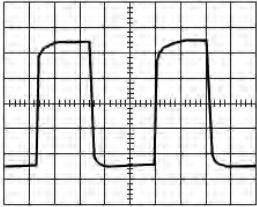
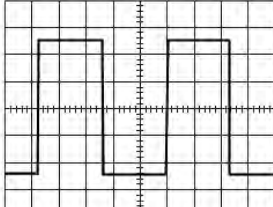
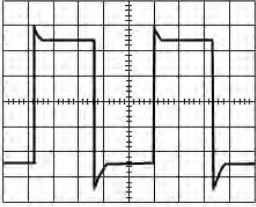
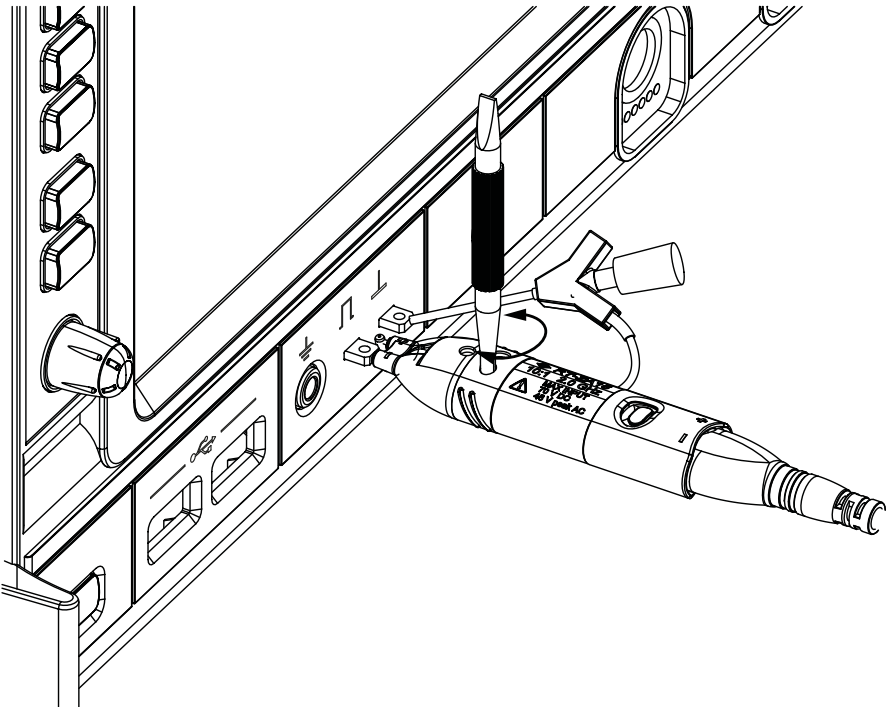
## Adjusting the DC common mode rejection


Equipment	<ul style="list-style-type: none"> <li>• R&amp;S RTO oscilloscope</li> <li>• DC voltage source, max. output voltage 30 V, floating output, e.g. HMP4040</li> <li>• BNC to 4 mm dual banana adapter</li> <li>• BNC to grabber adapter, e.g. Pomona mod. 3789</li> <li>• 2 mini clips</li> <li>• 2 leads, 6 cm/2.4 in</li> <li>• 1 lead, 15 cm/5.9 in</li> <li>• Small screwdriver</li> </ul>
Setup	<p>During the following procedure, both signal sockets (positive and negative) are connected to the Hi output of the DC voltage source. The ground socket is connected to the Lo output of the DC voltage source.</p> <ul style="list-style-type: none"> <li>• Connect the probe to CH1 of the R&amp;S RTO oscilloscope.</li> <li>• Plug the BNC to 4 mm dual banana adapter onto the OUTPUT HI/LO of the DC voltage source. Ensure that the BNC shield is connected to LO.</li> <li>• Connect the BNC to grabber adapter to the BNC to 4 mm dual banana adapter.</li> <li>• Using a mini clip and 2 leads, 6 cm/2.4 in, connect both signal inputs of the external attenuator to the grabber. Use both inputs of the mini clip.</li> <li>• Using a mini clip and a lead, 15 cm/5.9 in, connect the ground input of the external attenuator to the shield of the BNC to 4 mm dual banana adapter.</li> </ul> 

R&S RTO settings	<ul style="list-style-type: none"> <li>● Horizontal scale = 1 ms/div</li> <li>● Bandwidth = 20 MHz</li> <li>● Vertical scale = 100 mV/div</li> <li>● Trigger source = Ch1, Trigger mode = Auto, Run cont</li> <li>● ACQUISITION key &gt; Decimation Mode = High res, Waveform arithmetics = Average, Average Count = 10</li> <li>● "Meas" menu &gt; Setup &gt; Source = Ch1, Main Measurement = Mean, State = On</li> <li>● "Vertical" menu &gt; "Probe Setup" &gt; "Ch" tab &gt; "Attenuator RT-ZA15"</li> <li>● "Vertical" menu &gt; Channels &gt; Ch1 &gt; Offset = 0 V, Position = 0 div</li> </ul>
Adjustment	<ul style="list-style-type: none"> <li>● Set the voltage of the DC voltage source to 0 V.</li> <li>● Check the displayed value in the "Measurement Results" box: Mean = V1.</li> <li>● Set the voltage of the DC voltage source to 30 V.</li> <li>● Check the displayed value in the "Measurement Results" box: Mean = V2.</li> <li>● Using the small skrewdriver, turn the trimmer for DC common mode rejection on the external attenuator until V2 = V1.</li> </ul>

## Adjusting the pulse response of the positive and negative inputs

Equipment	<ul style="list-style-type: none"> <li>• R&amp;S RTO oscilloscope</li> <li>• 1 mini clip</li> <li>• 1 lead 6 cm/2.4 in</li> </ul>
Setup	<p>Pulse response of the positive input:</p> <ul style="list-style-type: none"> <li>• Connect the probe to CH1 of the R&amp;S RTO oscilloscope.</li> <li>• "Vertical" menu &gt; "Probe Setup" &gt; "Ch" tab &gt; "Attenuator RT-ZA15"</li> <li>• Using the lead and a mini clip, connect the negative input of the external attenuator to the ground clamp of the R&amp;S RTO oscilloscope.</li> <li>• Press the positive input of the external attenuator directly to the square wave signal clamp.</li> </ul> 
R&S RTO settings	<ul style="list-style-type: none"> <li>• Horizontal scale = 1 <math>\mu</math>s/div</li> <li>• Vertical scale = 200 mV/div</li> <li>• Trigger source = Ch1, Trigger mode = Auto, Run cont</li> <li>• Trigger level = 500 mV</li> <li>• Trigger slope = Positive</li> <li>• ACQUISITION key &gt; Decimation Mode = High res, Waveform arithmetics = Average, Average Count = 10</li> </ul>

Adjustment	<ul style="list-style-type: none"> <li>Using the adjustment tool, turn the trimmer for pulse response of the positive input on the external attenuator until an optimum square wave response is visible on the oscilloscope screen.</li> </ul> <div style="display: flex; justify-content: space-around; align-items: center;">    </div> <div style="display: flex; justify-content: space-around; margin-top: 5px;"> <span>undercompensated</span> <span>optimum</span> <span>overcompensated</span> </div>
Setup and adjustment	<p>Repeat the procedure to adjust the pulse response of the negative input:</p> <ul style="list-style-type: none"> <li>Using the lead, connect the positive input of the external attenuator to the ground clamp of the R&amp;S RTO oscilloscope.</li> <li>Press the negative input directly to the square wave signal clamp.</li> <li>Trigger level = -500 mV Trigger slope = Negative</li> <li>Using the adjustment tool, turn the trimmer for pulse response of the negative input until an optimum square wave response is visible on the oscilloscope screen.</li> </ul> 

 Keep the adjustment of the positive and negative input as symmetric as possible to ensure a good common mode rejection for AC signals.



## 3.5 Maximum Input Voltage

The maximum input voltage of the R&S RT-ZA15 external attenuator is specified as the maximum voltage between each signal socket and ground.

---

**⚠ WARNING****Shock hazard caused by high voltages**

To avoid electric shock and personal injury, and to prevent damage to the probe or any other products connected to it, observe the following instructions:

- The maximum input voltage for DC signals is  $\pm 70$  V between each signal socket and the ground socket.
- The maximum effective input voltage for AC signals is 33 V (eff) between each signal socket and the ground socket. The maximum transient peak voltage is  $\pm 46$  V.

---

The maximum input voltage is derated for higher frequencies. Refer to the R&S RT-Z data sheet for further information.

## 4 Connecting the Probe to the DUT

This chapter describes the different ways of connecting the probe to the DUT. In addition, the accessories supplied are described and their use is explained.

In order to achieve optimum RF performance, the connections should always be as short as possible.

---

**⚠ CAUTION****Risk of injuries**

The included probe pins are exceptionally sharp and must be handled with extreme care. To prevent injuries, always use tweezers when inserting or removing pins.

---



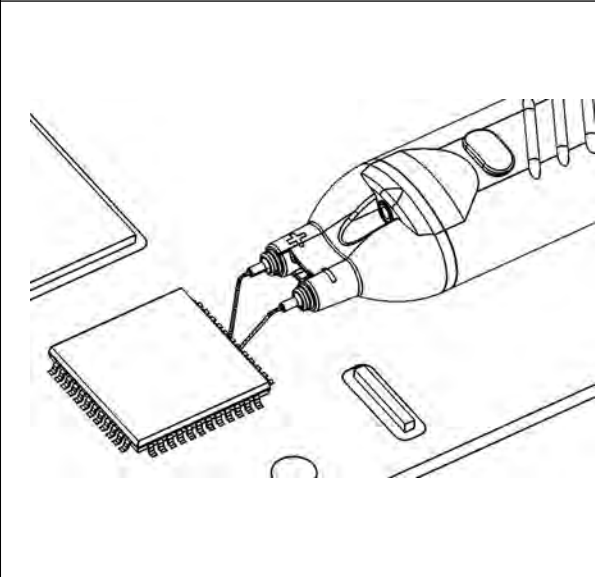
Some solder-in accessories are very fine and sensitive. The probe should be stabilized by using appropriate means (e.g. adhesive tape, probe positioner) in order to protect the solder joint from excessive mechanical stress.

---

The R&S RT-ZA15 external attenuator has the same tip - and the same signal and ground sockets - as the R&S RT-ZD10/20/30 probe head. All accessories for the probe can be used with the external attenuator.

## Pins

### Signal pin, solder-in

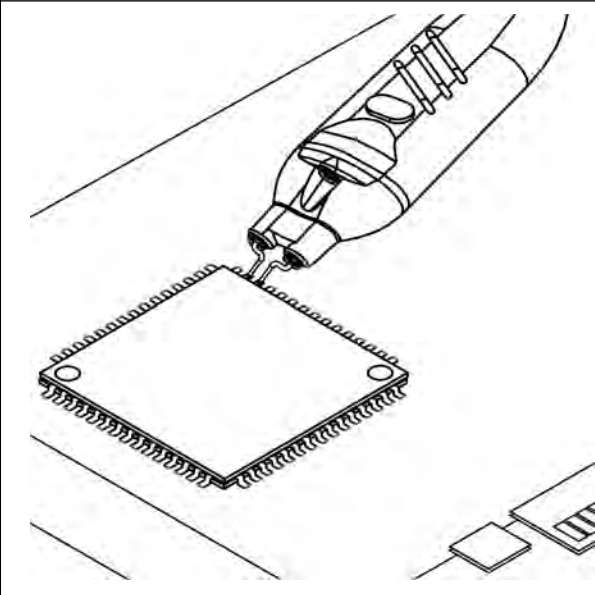


Use tweezers to insert the solder-in pins into the signal sockets on the probe, and then cut to the appropriate length. Try to keep the wires as short as possible. Finally, stabilize the probe, for example by using adhesive tape.

The fine wires on this adapter are best suited to making secure contact with small contact points, such as SMT components or IC pins. The wires have an additional insulating finish in order to prevent unwanted shorts. There is no need to strip the wires because the finish dissolves on its own during soldering.

Distance range: 0 mm to 25 mm (0 mil to 1000 mil)

### Signal pin, variable spacing

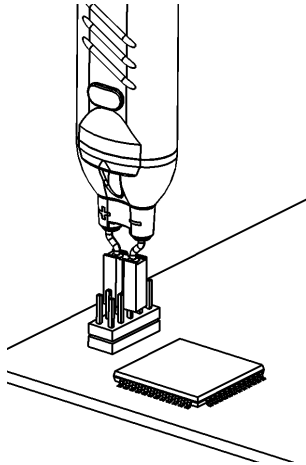


The signal pins are held to the DUT in order to tap off the measurement signal. The pins can be rotated to adjust the distance between the probe tips. They are designed for various applications, e.g. measurements on SMT resistors, IC pins, conductors or vias.

Distance range: 0 mm to 10 mm (0 mil to 400 mil)

## Adapters

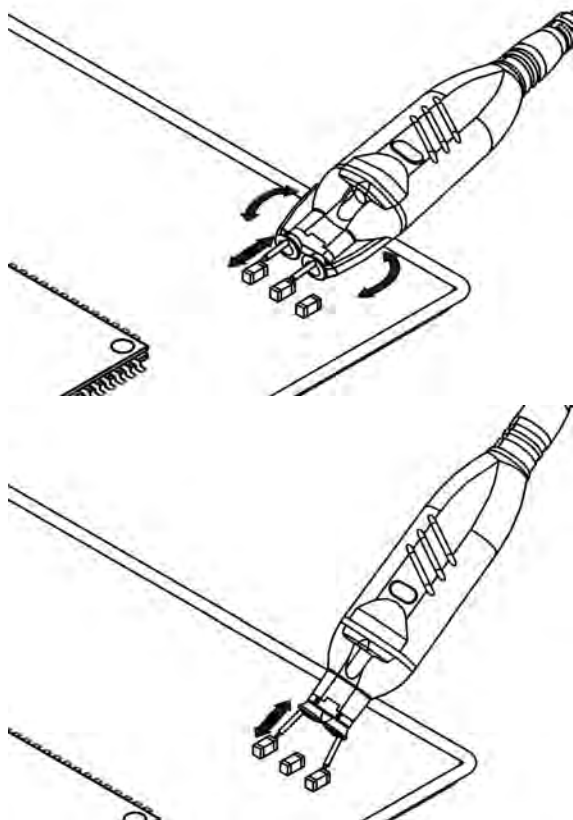
### Adapter, square pin



The square pin adapter is used for plugging the probe onto pin strips with a pitch of 2.54 mm (100 mil).

Distance range: 2.54 mm (100 mil)

### Browser adapter

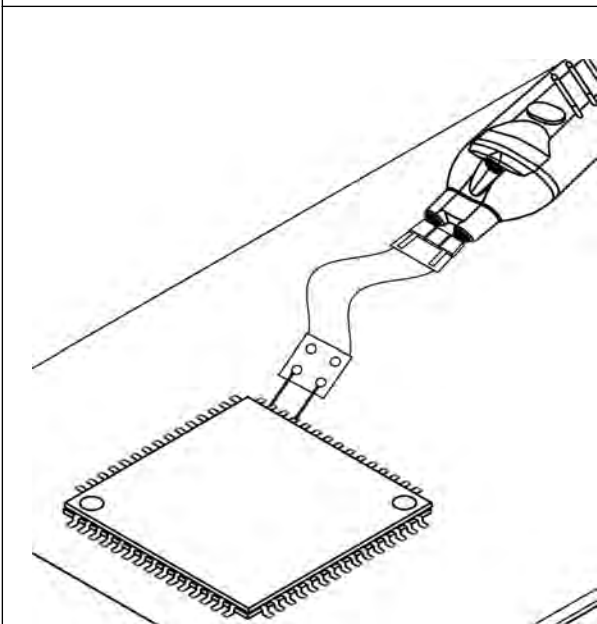


The spring-loaded browser adapter allows handheld probing with maximum convenience. Because it compensates for minor unevenness and movements, it is capable of establishing a firm contact with the test point.

The pin distance can be set by turning the levers. A built-in stop prevents unwanted turning of the signal pins when probing.

Distance range: 0 mm to 10 mm (0 mil to 400 mil)

## Flex adapter, solder-in



The flex adapter is particularly well suited for creating solid contact with test points that are hard to reach (e.g. between two inserted boards). The two wires at the tip of the flexible line are soldered to the contact points. The pins on the other end of the adapter are inserted in the signal receptacles of the probe.

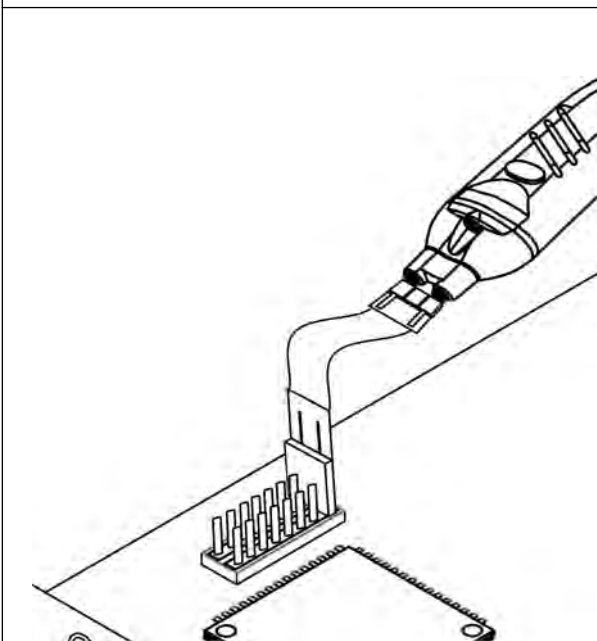
The flex adapter reduces the probe rise time, but is designed to ensure optimum settling. The lines on the flex adapter are implemented as a twisted pair to minimize unwanted coupling. Flex adapters are preferred over leads or clips.

Two different flex adapters are included: 4 cm (1.6 in) and 10 cm (3.9 in).

Distance range: 0 mm to 12 mm (0 mil to 470 mil)

Do *not* use the flex adapter at voltages beyond  $\pm 30$  V.

## Flex adapter, square pin



The flex adapter is used for plugging the probe onto pin strips with a pitch of 2.54 mm (100 mil) that are hard to reach (e.g. between two inserted boards). The pins on the other end of the adapter are inserted in the signal receptacles of the probe. The flexible line makes it possible to connect two or more probes to adjacent pins without the probes blocking each other.

The flex adapter reduces the probe rise time, but is designed to ensure optimum settling. The conductors on the flex adapter are implemented as a twisted pair to minimize unwanted coupling. Flex adapters are preferred over leads or clips.

Two different flex adapters are included: 4 cm (1.6 in) and 10 cm (3.9 in).

Distance range: 2.54 mm (100 mil)

Do *not* use the flex adapter at voltages beyond  $\pm 30$  V.

## Leads and clips

### Short and long lead

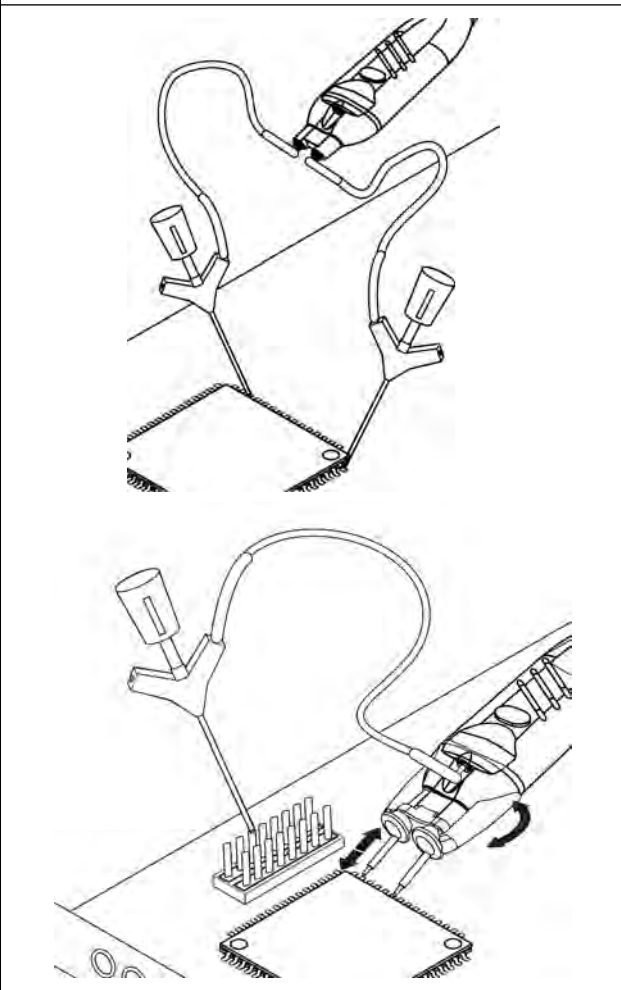
The lead provides a flexible connection to the DUT. It is plugged onto a pin on the DUT and can be used to connect either the signal sockets or the ground socket. In addition, it allows micro and mini clips to be connected to the probe.

Length:

Short lead: 6 mm (236 mil)

Long lead: 15 mm (591 mil)

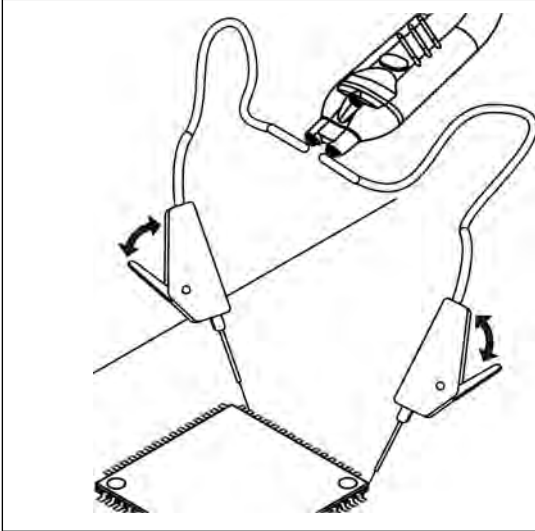
### Mini clip



The mini clip is designed for probing large IC pins, wires and through-hole components.

For probing, clamp the mini clip to a pin and connect it to the signal socket or the ground socket using a lead.

## Micro clip

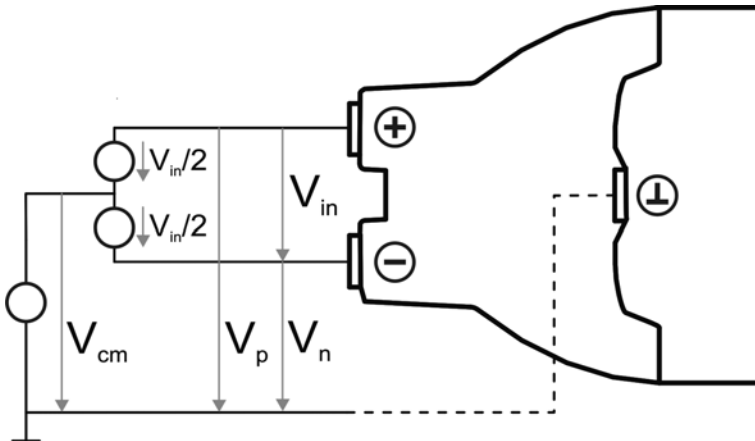


The micro clip is designed for probing IC pins and thin wires in fine-pitch applications.

The micro clip fits directly into the signal socket or the ground socket using a lead.

## 5 Characteristics of Differential Probes

A differential probe has three sockets: the positive signal socket (+), the negative signal socket (-), and the ground socket.



**Fig. 5-1: Input voltages on a differential probe**

Multiple input voltages can be defined for a differential probe:

- Differential mode input voltage ( $V_{in}$ ,  $V_{dm}$ )  
Voltage between the positive and negative signal sockets
- Positive single-ended input voltage ( $V_p$ )  
Voltage between the positive signal socket and the ground socket
- Negative single-ended input voltage ( $V_n$ )  
Voltage between the negative signal socket and the ground socket
- Common mode input voltage ( $V_{cm}$ )  
Mean voltage of positive and negative signal sockets referred to the ground socket, respectively

Two of these voltages are independent values, the other two can be calculated:

$$V_{in} = V_p - V_n$$

$$V_{cm} = \frac{V_p + V_n}{2}$$

Typically, the differential and the common mode input voltages are used to describe the behavior of a differential probe.



## Common Mode Rejection Ratio (CMRR)

The output voltage  $V_{out}$ , which is displayed on the base unit, is generally obtained by superimposing the voltages generated from the differential mode input voltage and from the common mode input voltage:

$$V_{out} = A_{vdm}V_{in} + A_{vcm}V_{cm}$$

In this equation,  $A_{vdm}$  is the amplification of the differential mode input voltage and  $A_{vcm}$  is the amplification of the common mode input voltage.

An ideal differential probe is expressed as  $A_{vdm} = 1$  and  $A_{vcm} = 0$ . In this case, the displayed voltage exactly equals to the differential input voltage  $V_{in}$  between the two signal sockets, and the common mode input voltage is totally suppressed.

## 5.1 Common Mode Rejection Ratio (CMRR)

An *ideal* differential probe outputs a voltage that depends only on the differential input voltage  $V_{in}$  between positive and negative input, and suppresses the common mode voltages. This is equivalent to an infinite common mode rejection ratio (CMRR).

In contrast, real probes have a finite CMRR, resulting in a small part of the common mode voltage visible in the output signal. The CMRR is defined as the ratio of the amplifications of differential and common mode input signals:

$$CMRR = \frac{A_{vdm}}{A_{vcm}}$$

### Example:

If a differential input voltage of 1 V yields an output voltage of 100 mV ( $A_{vdm} = 0.1$ ) and a common mode input voltage of 1 V an output voltage of 1 mV ( $A_{vcm} = 0.001$ ), the CMRR is 100 or 40 dB.

A high CMRR is important if significant common mode signals are encountered at the probe input, for example:

- DC voltages for setting the operating points of active DUTs
- Different ground levels of probe and DUT, e.g. floating DUTs
- An interference that couples equally to both conductors of a differential transmission line

## Dynamic Range and Operating Voltage Window

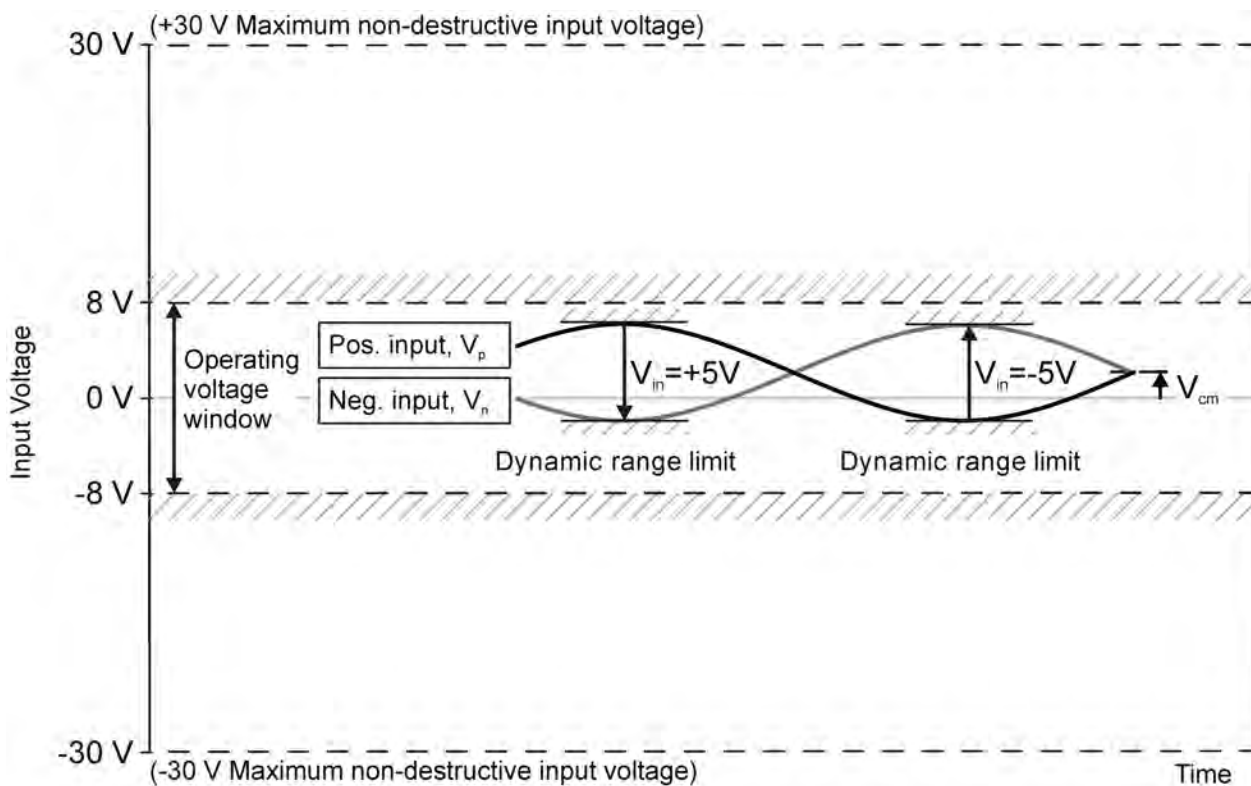
- Probing on ground-referenced signals. In this case, the common mode component is always equal to half of the input voltage.

## 5.2 Dynamic Range and Operating Voltage Window

Two separate specifications are necessary in order to characterize the permissible input voltage range of a differential voltage probe:

- The dynamic range (or "differential mode range") designates the maximum differential voltage  $V_{in}$  that may occur between the positive and negative signal pin.
- At the same time, the two voltage values at each of the two signal pins  $V_p$  and  $V_n$  referenced to the common ground must not exceed a specific limit value. This limitation is referred to as the operating voltage window (some manufacturers also use the less precise term "common mode range" for the same parameter).

If one of these ranges is exceeded, an unwanted signal clipping may occur.



**Fig. 5-2: Operating voltage window**

**NOTICE****Signal clipping**

Only differential input signals are detected by the probe and displayed by the base unit. Common mode signals are suppressed by the probe. Therefore, the user does not initially recognize that the operating voltage window is exceeded owing to inadmissible common mode voltages. If unexpected clipping occurs, check the positive or negative input voltage relative to ground.

In addition, measuring the common mode input voltage using the R&S ProbeMeter is a convenient way to detect breaches of the operating voltage window owing to excess DC common mode voltages.

## 5.3 Maximum Non-Destructive Input Voltage

The maximum non-destructive input voltage of a differential probe is also specified as the maximum voltage between each signal pin and ground.

**NOTICE****Maximum input voltage**

The maximum input voltage is  $\pm 30$  V between each signal socket and the ground socket. A higher input voltage may destroy the probe.

The maximum input voltage is derated for higher frequencies. Refer to the R&S RT-Z data sheet for further information.

## 5.4 Ground Connection

It is typically not necessary to connect the ground socket of the probe to the ground of the DUT, as long as the DUT itself is grounded. If the ground of the DUT is floating (such as in the case of battery operation), high static potentials between the DUT ground and the probe ground can result in the operating volt-

age window of the probe being exceeded. In this case, the probe ground should be connected to the DUT ground.

The ground connection can also affect the CMRR of the probe. Problems with unwanted common mode signals can often be improved by adding a ground connection.

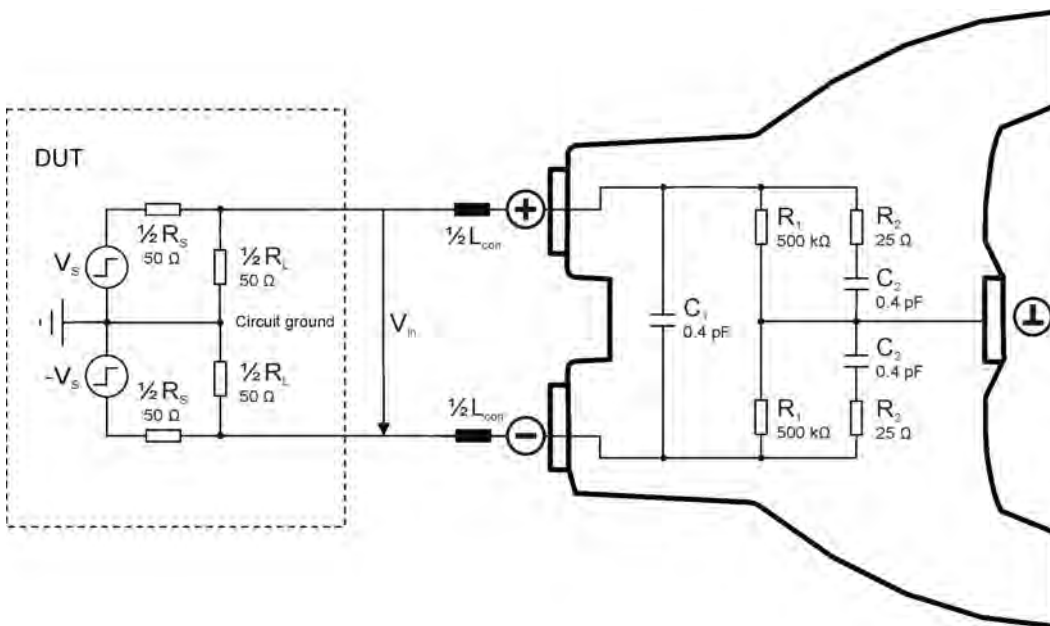
## 6 Measurement Principles

The R&S RT-ZD10/20/30 differential probe provides an electrical connection between the DUT and the oscilloscope. The probe transfers the voltage of the electrical signal tapped off the DUT to the oscilloscope, where it is displayed graphically. Although a probe has a wide variety of specifications, these specifications can be grouped into two classes of basic requirements:

- High signal integrity of the transferred signal:  
With an ideal probe, the output signal that is transferred to the base unit would be identical to the input signal between the probe tips, and signal integrity would be extremely high. Every real probe, however, will transfer the input signal in altered form. A good probe causes only minimum alterations. How the probe can fulfill this requirement is mainly determined by its bandwidth and CMRR.
- Low loading of the input signal:  
Every probe is a load for the signal to be measured. This means that the signal to be measured changes as soon as the probe is connected. A good probe should cause only a minimum change to the signal, so that the function of the DUT is not adversely affected. How the probe can fulfill this requirement is mainly determined by its input impedance.

The parameters of a probe are usually specified for a minimally short connection between the probe and the DUT. With longer connections, the connection inductance has a significant effect on the measurement.

The high-frequency behavior of differential probes is typically characterized in the following environment. The probe is connected to a differential 100  $\Omega$  line that is fed by a source with 100  $\Omega$  internal impedance and that is terminated into 100  $\Omega$ . The voltages at both inputs of the probe are always oppositely equal. The figure [figure 6-1](#) shows the equivalent circuit model of a probe that is connected to the DUT.



**Fig. 6-1: Equivalent circuit model of the R&S RT-ZD10/20/30 probe**

**Table 6-1: Designations**

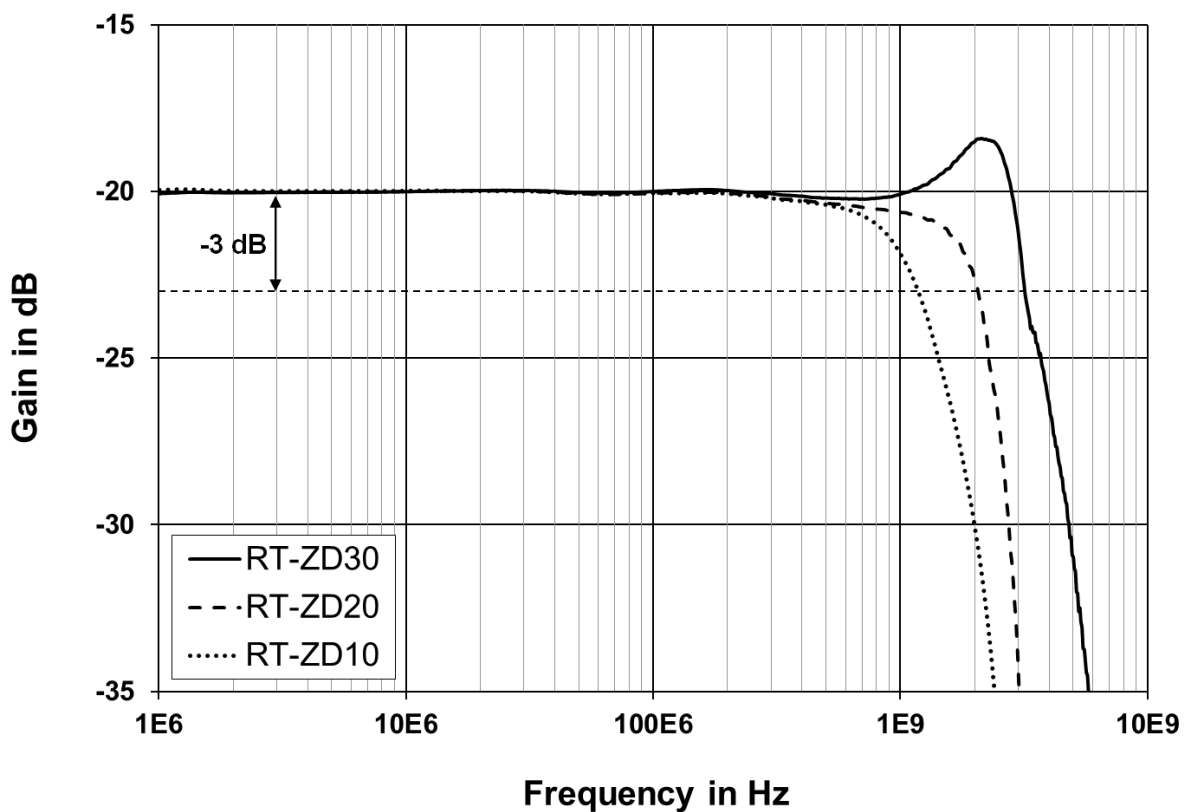
Abbreviation	Description
$V_s$	Differential voltage between the test point without probe connected
$V_{in}$	Differential voltage at the test point with probe connected, corresponds to the input voltage of the probe
$R_s$	Differential source resistance of the DUT
$R_L$	Differential load resistance of the DUT
$R_1, R_2$	Probe-specific input resistance
$C_1, C_2$	Probe-specific input capacitance
$L_{con}$	Parasitic inductance of the probe connection
$V_{out}$	Probe output voltage displayed by the oscilloscope

## 6.1 Signal Integrity of the Transferred Signal

The following sections describe the effect that bandwidth, connection inductance and common mode rejection ratio have on signal integrity.

### 6.1.1 Bandwidth

The bandwidth BW of a probe is one of its specific parameters. The bandwidth of the probe and the bandwidth of the base unit together form the system bandwidth. The following explanations refer to the probe itself, but can also be applied to the entire system.



*Fig. 6-2: Amplitude frequency response of the R&S RT-ZD10/20/30*

The bandwidth

- Specifies the maximum frequency at which a purely sinusoidal signal is still transferred at 70 % (–3 dB) of its amplitude.  
See [figure 6-2](#).

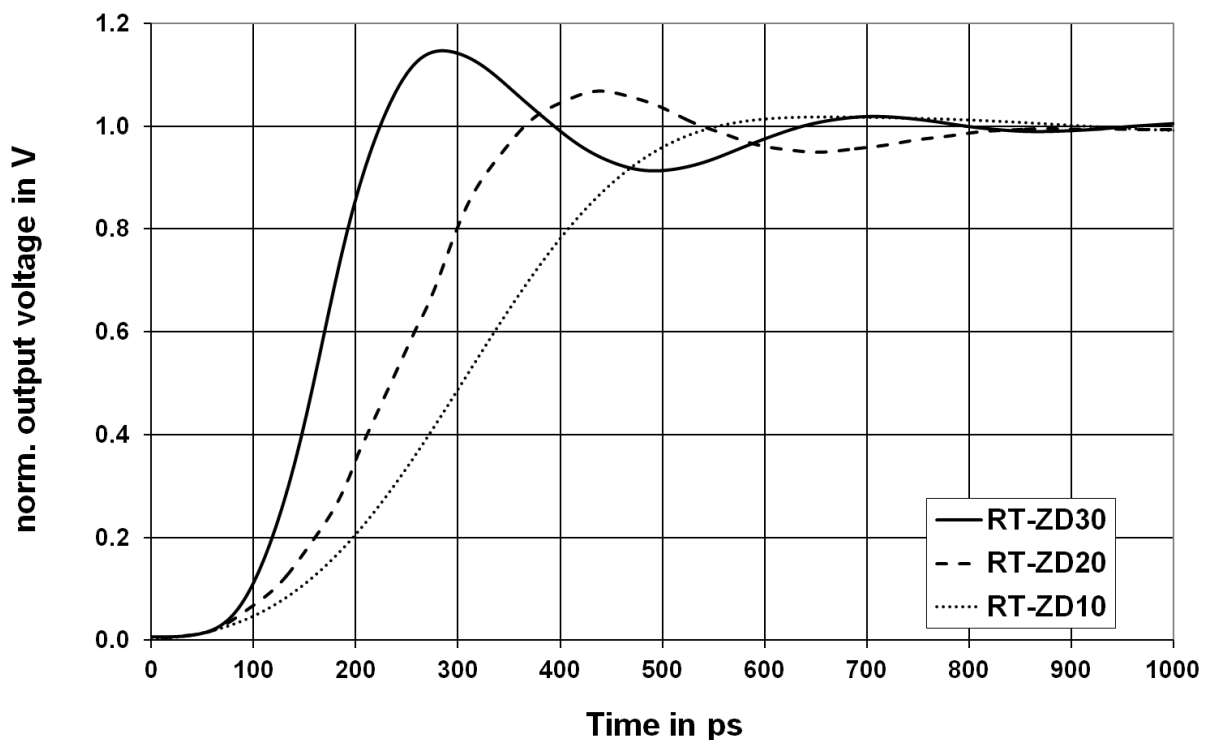
## Signal Integrity of the Transferred Signal

- Specifies the transferable spectrum for other waveforms. E.g. with square wave signals, the fifth harmonic should still be within the bandwidth for a high signal integrity.
- Determines the minimum measurable signal rise time. The rise time  $t_{rise}$  of the probe is inversely proportional to its bandwidth. The following approximation applies:

$$t_{rise} \approx \frac{0.4}{BW}$$

The [figure 6-3](#) shows a typical step response of an R&S RT-ZD10/20/30 differential probe.

In addition to bandwidth, a constant amplitude frequency response of the probe is decisive for high signal integrity. The [figure 6-2](#) shows the typical amplitude frequency response of an R&S RT-ZD10/20/30 differential probe. All frequency components are transferred with the same gain so that the input signal is displayed without distortion.



**Fig. 6-3:** Step response of the R&S RT-ZD10/20/30

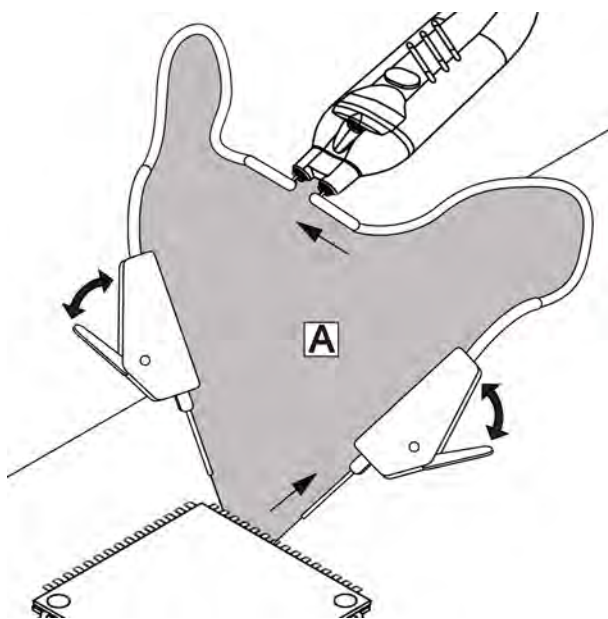


## 6.1.2 Connection Inductance

The connection inductance  $L_{con}$  is caused by connecting the probe to the DUT. In contrast to the probe-specific bandwidth, the connection inductance mainly depends on the type of connection that the user selects.

The connection inductance

- Increases with the length of the connection and the size of the resulting loop area  $A$ .  
See [figure 6-4](#).
- Reduces the usable bandwidth and causes ringing with signals having a short rise time (due a series resonance with the input capacitance).
- Should be as small as possible (short lead length) in order to maintain high signal integrity.



$$L_{con} \text{ proportional to } A$$

$$f_{resonance} \approx \frac{1}{2\pi \sqrt{L_{con} \cdot C_{in}}}$$

$$BW \text{ proportional to } \frac{1}{\sqrt{L_{con}}}$$

**Fig. 6-4: Ground connection and connection inductance using the example of R&S RT-ZD10/20/30**

The [table 6-2](#) shows different types of connections between the probe and DUT as well as the associated connection inductance  $L_{con}$ . The table also includes typical bandwidth values, rise time values, and the step responses for each connection in conjunction with an R&S RT-ZD30. For an R&S RT-ZD20, typical bandwidth and rise time values are smaller and limited to 1.5 GHz or 250 ps, respectively. For an R&S RT-ZD10, typical bandwidth and rise time values are also smaller and limited to 1.0 GHz or 350 ps, respectively.

Signal Integrity of the Transferred Signal

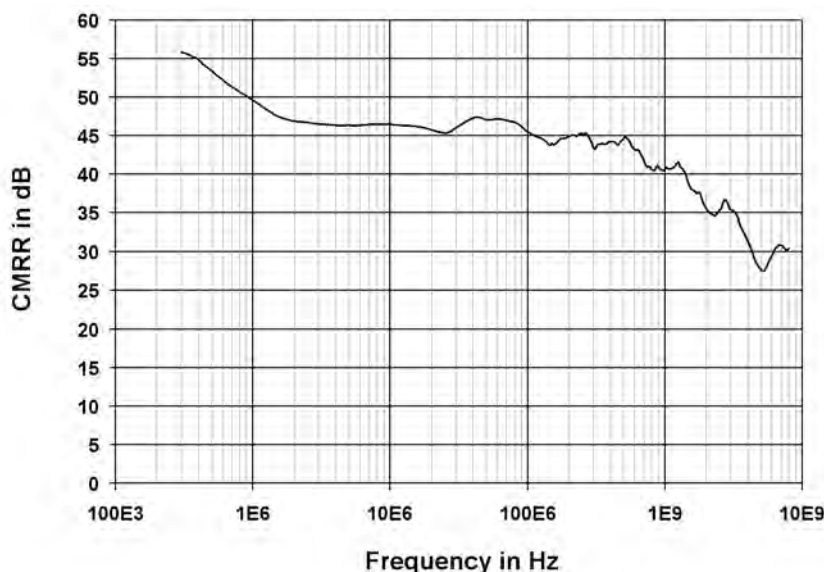
Table 6-2: Connection inductance  $L_{con}$ , typical bandwidth, rise time and step response for a R&S RT-ZD30 with different types of connection

Type of connection	Connection inductance $L_{con}$	Typ. bandwidth and rise time RT-ZD30	Step response
<b>Very short</b> signal pins, solder-in, variable spacing  <b>Short</b> browser adapters adapters, square pin	~4 nH	3.2 GHz 110 ps	
	~8 nH	3.0 GHz 120 ps	
<b>Long</b> flex adapters (4.8 cm)	~20 nH	700 MHz 10 - 90%: 800 ps 20 - 80%: 300 ps	
	~60 nH	500 MHz very long settling time	
<b>Very long</b> leads micro clips mini clips			

### 6.1.3 CMRR

The CMRR is very good for low-frequency signals, but it continuously decreases for higher frequencies. Therefore, the CMRR is usually specified as a function of frequency.

The [figure 6-5](#) shows a typical CMRR for an R&S RT-ZD10/20/30 differential probe with a very symmetrical connection to the DUT. An asymmetrical connection to the test point can decrease the CMRR. To achieve the best possible CMRR, the connection to the DUT should always be as symmetrical as possible.



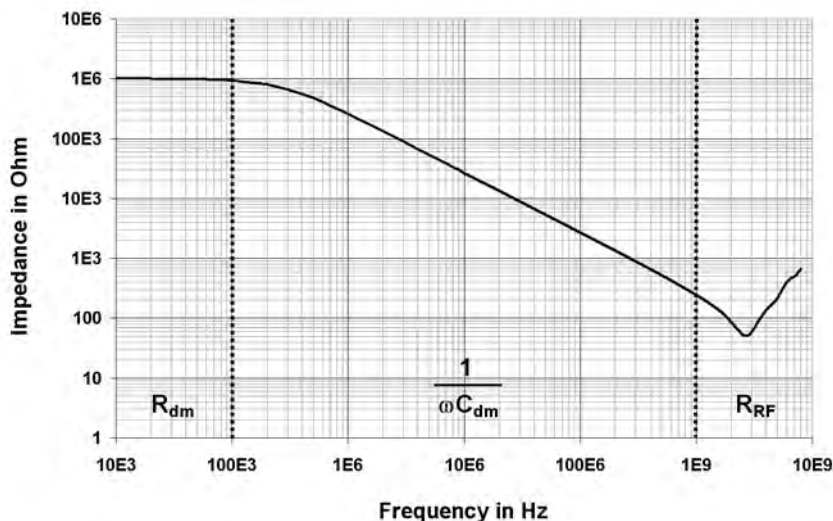
*Fig. 6-5: Typical CMRR of the R&S RT-ZD10/20/30 probe as a function of frequency*

## 6.2 Signal Loading of the Input Signal

The previous section explained the transfer function and step response of the probe. This section describes how the probe influences the input signal. The input signal loading caused by the probe is determined by its input impedance. In general, the probe causes only low signal loading because its input impedance is usually much greater than the source impedance of the test circuit.

## 6.2.1 Signal Loading for Differential Input Signals

The [figure 6-1](#) presents an equivalent circuit model of an R&S RT-ZD10/20/30 differential probe. The differential input impedance of the probe is equal to the impedance between its positive (+) and the negative (-) signal socket. The resulting input impedance versus frequency is indicated in [figure 6-6](#).



**Fig. 6-6: Magnitude of the differential input impedance of the R&S RT-ZD10/20/30 probe as a function of frequency**

The differential input impedance varies greatly versus the frequency and is defined by the following values:

- Differential input resistance  $R_{dm} = 2 R_1$
- Differential input capacitance  $C_{dm} = C_1 + C_2 / 2$
- Differential RF resistance  $R_{RF} = 2 R_2$

### 6.2.1.1 Input Resistance $R_{dm}$

The input resistance determines the loading of the DUT at DC and very low frequencies ( $< 100$  kHz). A low input resistance can potentially disturb measurements of high-frequency signals as it influences the DC operating point of active components. This effect is negligible for the majority of applications involving the R&S RT-ZD10/20/30 probe due to the very high input resistance of the probe (1 M $\Omega$ ).

### 6.2.1.2 Input Capacitance $C_{dm}$

The input capacitance  $C_{dm}$  causes the input impedance to decrease in the medium-frequency range (100 kHz to 1.0 GHz). It affects the settling time of the input voltage in the case of fast transients.

### 6.2.1.3 RF Resistance $R_{RF}$

The RF resistance  $R_{RF}$  determines the minimum input impedance and thus the maximum loading at very high frequencies above 1.0 GHz. Thus, the measurement result depends on the source impedance of the DUT. The RF resistance  $R_{RF}$  prevents the input voltage from rising immediately to its final value in the case of fast transients.

The resulting loading of a step signal at the input of the probe is shown in [figure 6-7](#).

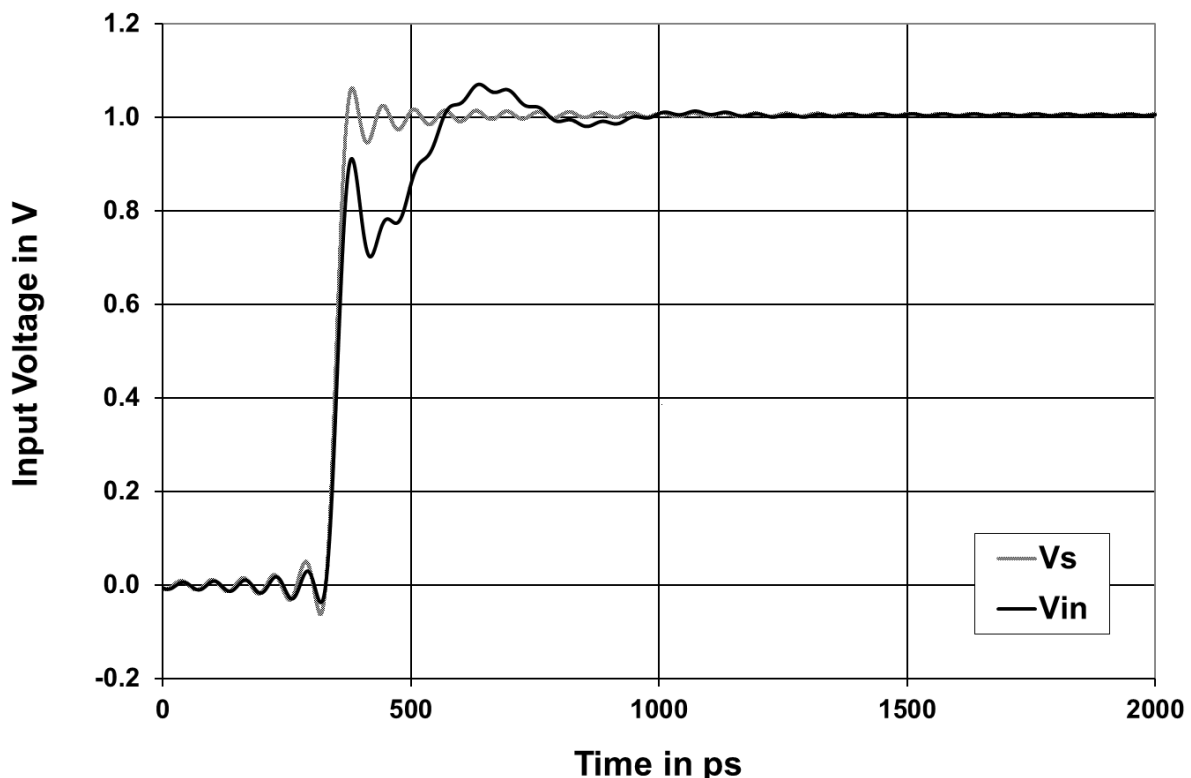


Fig. 6-7: Signal loading caused by the R&S RT-ZD10/20/30 probe

## 6.2.2 Signal Loading for Non-Differential Input Signals

As described in [chapter 5, "Characteristics of Differential Probes"](#), on page 41, various types of input signals can be measured with a differential probe. Every type of input signal has an associated input impedance.

- For differential input signals, the input impedance of the probe is the impedance between its positive and negative signal sockets.
- For single-ended input signals, the input impedance is the impedance between the positive or negative signal socket and the ground socket.
- For common mode input signals, the input impedance is the impedance between the parallel connection of the positive and negative signal sockets and the ground socket.

The equivalent circuit diagram in [figure 6-1](#) can be used to determine the associated input impedance. The [table 6-3](#) provides as an example the DC input resistance for several input signals.

**Table 6-3: DC Input Resistance for Various Input Signals**

Type of input signal	Differential	Single-ended	Common mode
Input Resistance	1 M $\Omega$	500 k $\Omega$	250 k $\Omega$

This table shows that common mode signals suffer the highest loading. This characteristic of all differential probes is particularly bothersome because common mode signals frequently have a very high source resistance (e.g. 10 k $\Omega$  for conventional fail-safe circuits). While the input resistance achieved for common mode voltages with the R&S RT-ZD10/20/30 differential probe remains sufficiently high, probes with lower input resistances can lead to unfavorable loading effects.

## 6.3 Probing Philosophy

The previous sections made clear that probes exert a load on the signal to be measured and change its characteristic. The signal at the test point where the probe makes contact ( $V_{in}$ ) is therefore different from the signal that was present before the probe was connected ( $V_S$ ). This effect cannot be avoided and occurs with all real probes – independent of type and manufacturer.

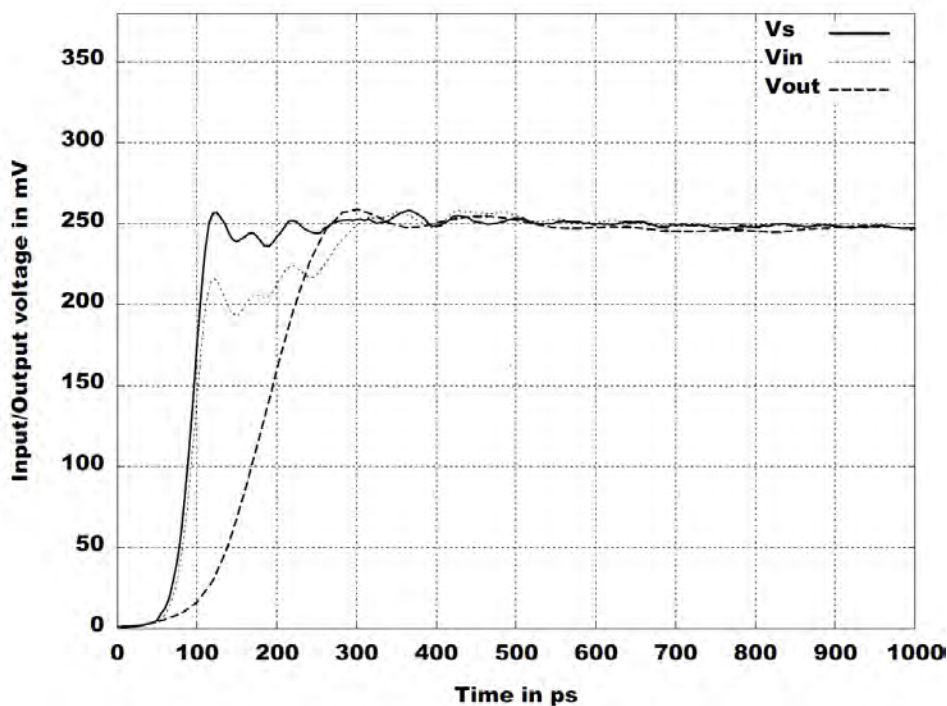
This has resulted in a difference of opinion as to which of the following two signals should be output by the probe:

1. The initial signal that is not loaded by the probe ( $V_S$ ) and that corresponds to the signal at the test point without the probe being connected.
2. The input signal that is additionally loaded with the input impedance of the probe ( $V_{in}$ ) and that is actually present between the probe tips.

Both approaches are physically correct and have their individual advantages and disadvantages. In theory, it is even possible to mathematically convert the two measurement results into each other, but only by performing a complex transformation to and from the frequency domain. Probe manufacturers will use one or the other of these two approaches.

Rohde & Schwarz has decided in favor of the user-friendly approach. In our opinion, most users want to know the signal present in the DUT before it was altered by the influence caused by the probe. After all, users want to characterize their own DUTs, not the Rohde & Schwarz probe.

As long as measurements are carried out in a  $100\ \Omega$  (or a comparable) environment, the signal displayed on the oscilloscope screen is always a direct representation of the unloaded signal  $V_S$ , as can be seen in [figure 6-8](#).



**Fig. 6-8: Unloaded and loaded input signal and step response (for RT-ZS30)**

# 7 Maintenance and Service

## 7.1 Service Strategy

Rohde & Schwarz probes are high-precision, high-performance instruments that extend the limits of today's technological possibilities. Like all Rohde & Schwarz instruments, Rohde & Schwarz probes are of high quality and require only minimum service and repair. However, if the probe needs to be serviced, contact your Rohde & Schwarz service center. Return a defective probe to the Rohde & Schwarz service center for diagnosis and exchange.

You can return the R&S RT-ZD10/20/30 differential probe for calibration. The service personnel will perform the required tests.

## 7.2 Returning the Probe for Servicing

Use the original packaging to return your Rohde & Schwarz probe to your Rohde & Schwarz service center.

If you cannot use the original packaging, consider the following:

1. Use a sufficiently sized box.
2. Protect the probe from damage and moisture (e.g. with bubble wrap).
3. Use some kind of protective material (e.g. crumpled newspaper) to stabilize the probe inside the box.
4. Seal the box with tape.
5. Address the package to your nearest Rohde & Schwarz service center.



## 7.3 Cleaning

To clean the exterior of the probe, use a soft cloth moistened with either distilled water or isopropyl alcohol. Before using the probe again, make sure to dry it completely.

---

**NOTICE****Instrument damage caused by cleaning agents**

Cleaning agents contain substances that may damage the instrument; for example, solvent may damage the labeling or plastic parts.

Never use cleaning agents such as solvents (thinners, acetone, etc.), acids, bases or other substances

---

## 7.4 Calibration Interval

The recommended calibration interval for R&S RT-ZD10/20/30 differential probe is two years. For servicing, send the probe to your nearest Rohde & Schwarz service center (see [chapter 7.2, "Returning the Probe for Servicing"](#), on page 57).

## 8 Functional Check

The functional check is used to perform a quick check of the most important functions of the R&S RT-ZD10/20/30 differential probe using simple measurement equipment.

The following functions are checked:

- Initialization
- DC Offset
- DC Accuracy
- Offset

The functional check is not suitable for verifying compliance with the probe specifications, since the test results are influenced by the oscilloscope used.

To verify compliance with the probe specifications, it is necessary to run an independent performance test. This test is described in detail in the R&S RT-ZD10/20/30 service manual. The performance test also requires the R&S RT-ZK2 service kit.

### NOTICE

All base unit settings described here refer to an R&S RTO oscilloscope. The use of other oscilloscopes may result in different settings and menus. The following test description always refers to channel 1 (CH1) as the reference channel. The test can also be performed on any other channel of the R&S RTO oscilloscope.

### Test equipment

The following list contains the equipment required for the functional check.

**Table 8-1: Required test equipment**

Description	Minimum requirements	Recommended equipment
R&S RTO oscilloscope		
DC voltage source	±5 V, floating output	Keithley 2420/2601 source meter

Description	Minimum requirements	Recommended equipment
Digital multimeter (DMM)	-12 V to +12 V, Accuracy $\pm 0.01$ % of measured value	Agilent 34401A
BNC to 4 mm dual banana adapter		Pomona Model 1269
Two banana leads (red, black)		Multi-Contact ZG410
Probe accessories	2 mini clips 2 leads, 15 cm	



Let the probe and oscilloscope warm up at least for 15 minutes prior to the test.

### Self-alignment

Prior to the functional check, a self-alignment of the R&S RTO oscilloscope must be carried out. Proceed as follows:

Test setup:	R&S RTO oscilloscope
R&S RTO settings:	<ul style="list-style-type: none"> <li>• PRESET</li> <li>• "File" menu &gt; "Selfalignment" &gt; "Control" tab &gt; "Start Alignment"</li> </ul>
Measurement:	After a successful self alignment, the label UNCAL is no longer displayed.

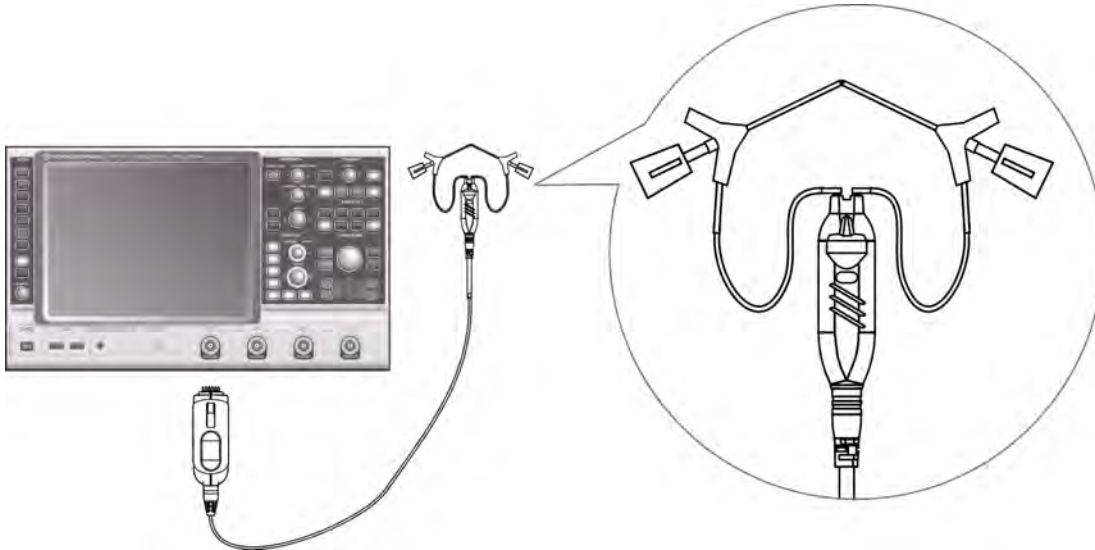
## 8.1 Initialization

The correct initialization of the probe by the oscilloscope has to be checked.

Test setup:	Probe connected to CH1 of the R&S RTO oscilloscope
R&S RTO settings:	"Vertical" menu > "Probe Setup" > "Ch1" tab
Measurement:	If initialization is correct, the following values are displayed on the "Setup" tab of the "Probes" dialog box, e.g. for the R&S RT-ZD30: Type: active differential Name: R&S RT-ZD30 Probe attenuation: 10:1 Bandwidth: 3.0 GHz

## 8.2 DC Offset

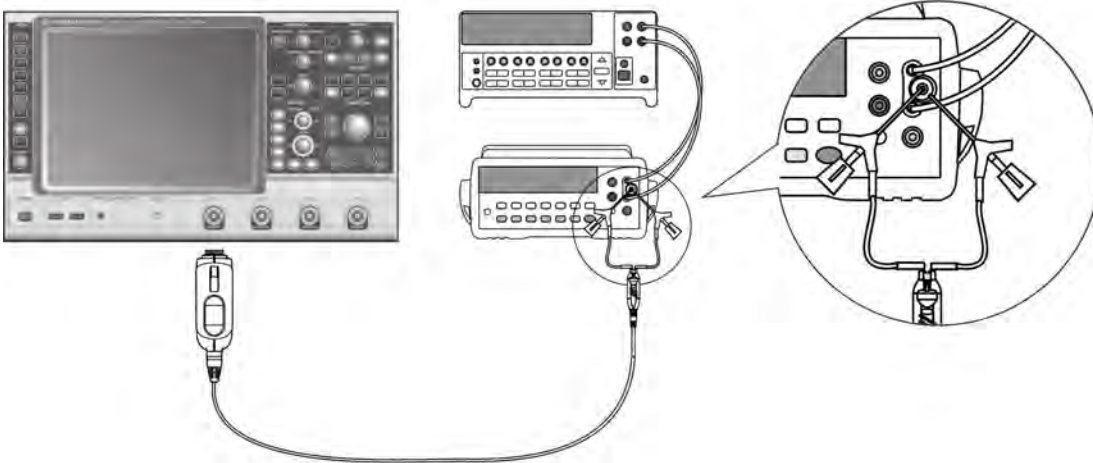
The zero error of the probe-oscilloscope system and the zero error of the R&S ProbeMeter are checked.



Test setup:	<ul style="list-style-type: none"> <li>• Probe connected to CH1 of the R&amp;S RTO oscilloscope</li> <li>• Signal and ground terminal of the probe shorted by mini clip; make sure that there is no other ground connection.</li> </ul>
R&S RTO settings:	<ul style="list-style-type: none"> <li>• Horizontal scale = 10 <math>\mu</math>s / div</li> <li>• Vertical scale = 10 mV / div</li> <li>• Trigger source = Ch1, Trigger mode = Auto, Run cont</li> <li>• ACQUISITION key &gt; Decimation = 'High res' &gt; Waveform Arithmetics = 'Average' &gt; Average Count = 16</li> <li>• "Meas" menu &gt; Setup &gt; Source = 'Ch1' &gt; Main Measurement = 'Mean' &gt; State = 'on'</li> <li>• CH1 key &gt; Offset = 0 V, Position = 0 div</li> <li>• "Vertical" menu &gt; Probe Setup &gt; Ch1 &gt; ProbeMeter = 'on' &gt; Micro button action = 'Auto zero'</li> </ul>
Measurement:	<ul style="list-style-type: none"> <li>• Check displayed values in the "Measurement Results" box: Mean: 0 V <math>\pm</math> 10 mV ProbeMeter: 0 V <math>\pm</math> 4 mV</li> <li>• Press the micro button: The Auto Zero function automatically compensates the zero error of the probe-oscilloscope combination.</li> <li>• Check again the measurement results: Mean: 0 V <math>\pm</math> 2 mV</li> </ul>

## 8.3 DC Accuracy

The gain of the probe-oscilloscope system and the accuracy of the integrated DC voltmeter are checked.



Test setup:	<ul style="list-style-type: none"> <li>• Probe connected to CH1 of the R&amp;S RTO oscilloscope</li> <li>• INPUT HI/LO of the DMM connected to OUTPUT HI/LO of the DC voltage source by banana leads</li> <li>• BNC to 4 mm dual banana adapter plugged onto the banana leads on the DMM – ensure that BNC shield is connected to LO</li> <li>• Signal and ground terminal of the probe connected by mini clips to the BNC to 4 mm dual banana adapter; make sure that probe ground is connected to BNC shield</li> </ul>
R&S RTO settings:	<ul style="list-style-type: none"> <li>• Horizontal scale = 10 <math>\mu</math>s / div</li> <li>• Vertical scale = 1.6 V / div</li> <li>• Trigger source = Ch1, Trigger mode = Auto, Run cont</li> <li>• ACQUISITION key &gt; Decimation = 'High res' &gt; Waveform Arithmetics = 'Average' &gt; Average Count = 16</li> <li>• "Meas" menu &gt; Setup &gt; Source = 'Ch1' &gt; Main Measurement = 'Mean' &gt; State = 'on'</li> <li>• CH1 key &gt; Offset = 0 V, Position = 0 div</li> <li>• "Vertical" menu &gt; Probe Setup &gt; Ch1 &gt; ProbeMeter = 'on'</li> </ul>

Measurement:	<ul style="list-style-type: none"> <li>• Set the voltage on the DC voltage source so that the DMM displays exactly +5.000 V</li> <li>• Check displayed values in the "Measurement Results" box: Mean: +5 V <math>\pm</math> 250 mV ProbeMeter: +5 V <math>\pm</math> 14 mV</li> <li>• Repeat procedure for -5.000 V</li> <li>• Check again the measurement results: Mean -5 V <math>\pm</math> 250 mV ProbeMeter: -5 V <math>\pm</math> 14 mV</li> </ul>
--------------	--

## 8.4 Offset Compensation

The offset compensation is checked.

Test setup:	Same as with DC accuracy
R&S RTO settings:	<ul style="list-style-type: none"> <li>• Horizontal scale = 10 <math>\mu</math>s / div</li> <li>• Vertical scale = 1.6 V / div</li> <li>• Trigger source = Ch1, Trigger mode = Auto, Run cont</li> <li>• ACQUISITION key &gt; Decimation = 'High res' &gt; Waveform Arithmetics = 'Average' &gt; Average Count = 16</li> <li>• "Meas" menu &gt; Setup &gt; Source = 'Ch1' &gt; Main Measurement = 'Mean' &gt; State = 'on'</li> <li>• CH1 key &gt; Offset = 0 V, Position = 0 div</li> <li>• "Vertical" menu &gt; Probe Setup &gt; Ch1 &gt; ProbeMeter = 'on' &gt; Micro button action = 'Set offset to mean'</li> </ul>
Measurement:	<ul style="list-style-type: none"> <li>• Set the voltage on the DC voltage source so that the DMM displays exactly +5.000 V.</li> <li>• Press the micro button: The "Offset to mean" function of the probe automatically compensates the applied DC voltage.</li> <li>• The oscilloscope waveform should now be on the horizontal center-line.</li> <li>• Switch measurement range: Vertical scale = 10 mV / div</li> <li>• Check displayed values in the "Measurement Results" box: Mean: +5 V <math>\pm</math> 50 mV</li> </ul>

# Index

## A

Accessories ..... 13  
AutoZero ..... 21

## B

Bandwidth ..... 8, 48

## C

Cleaning ..... 58  
Clipping ..... 44  
Clips ..... 15  
CMRR ..... 42, 52  
Common mode input voltage ..... 41  
Common mode range ..... 43  
Common Mode Rejection Ratio ..... 42, 52  
Connecting to DUT ..... 35  
Connecting to R&S RTO ..... 20  
Connection inductance ..... 50

## D

DC accuracy, check ..... 62  
DC measurement ..... 25  
DC offset, check ..... 61  
Differential input voltage ..... 41, 44  
Dynamic range ..... 8, 43

## E

External attenuator ..... 27  
    Adjusting ..... 29  
    Key characteristics ..... 27  
    Maximum input voltage ..... 34  
    Overview ..... 27

## F

Functional check ..... 59  
    DC accuracy ..... 62  
    DC offset ..... 61  
    Initialization ..... 60  
    Offset compensation ..... 63  
    Self-alignment ..... 60  
    Test equipment ..... 59

## G

Ground connection ..... 44

## I

Inductance ..... 50  
Initialization, check ..... 60  
Input capacitance ..... 8  
Input resistance ..... 8  
Input voltages ..... 41

## L

Leads ..... 15  
Loading ..... 52

## M

Maintenance ..... 57  
Micro button ..... 8  
Micro Button ..... 22

## N

N/USB adapter ..... 16

## O

Offset compensation, check ..... 63  
Operating voltage window ..... 43

## P

Pins  
    Inserting and removing ..... 35  
Probe  
    Calibration ..... 58  
    Cleaning ..... 58  
    Connection ..... 20  
    Identification ..... 20  
    Returning ..... 57  
Probe box ..... 11  
Probe Head ..... 10  
ProbeMeter ..... 8, 25  
Probing principles ..... 46  
Product description ..... 7

## S

Self-alignment, check ..... 60  
Service ..... 57  
Service Kit ..... 16  
Signal clipping ..... 43  
Signal integrity ..... 48  
Signal Loading ..... 52  
Single-ended input voltage ..... 41

Step response ..... 49

## T

Test equipment for functional check ..... 59

## U

Unpacking ..... 9

### Using accessories

Adapter ..... 37

Browser adapter ..... 37

Ground adapter, square pin ..... 38

Ground pin, solderable, offset ..... 38

Leads ..... 39

Micro clip ..... 40

Mini clip ..... 39

Signal pins ..... 36