

Agilent 6670A Series Single-Output, 2000 W DC Power Supplies, GBIP

Data Sheet

Speed and accuracy for test optimization



- Fast, low-noise outputs
- Analog control of output voltage and current
- Fan-speed control to minimize acoustic noise
- Built-in measurements and advanced programmable features
- Protection features to ensure DUT safety

This series of 2000 watt DC power supplies has the exceptional, proven reliability that test system engineers look for. It also has the unusual combination of high efficiency and low noise operation.

Programming of the DC output and the extensive protection features can be done either from the front panel or using industry standard SCPI commands, via the GPIB. Using the serial link, up to 16 power supplies can be connected through one GPIB address. Test system integration can be further simplified by using the *VXIplug&play* drivers.

The output voltage and current can also be controlled with analog signals. This is helpful for certain types of noisy environments, and also immediate reactions to process changes.

Lab-bench use is enhanced by the fan-speed control, which minimizes acoustic noise. The extremely low ripple and noise helps the built-in measurement system make extremely accurate current and voltage measurements.



Agilent Technologies

Specifications

Specifications <i>(at 0 ° to 55 °C unless otherwise specified)</i>	6671A	6672A	6673A	6674A	6675A
Number of outputs	1	1	1	1	1
GPIO	Yes	Yes	Yes	Yes	Yes
Output ratings					
Output voltage	0 to 8 V	0 to 20 V	0 to 35 V	0 to 60 V	0 to 120 V
Output current	0 to 220 A	0 to 100 A	0 to 60 A	0 to 35 A	0 to 18 A
Programming accuracy (at 25 °C ± 5 °C)					
Voltage 0.04% +	8 mV	20 mV	35 mV	60 mV	120 mV
Current 0.1% +	125 mA	60 mA	40 mA	25 mA	12 mA
Ripple and noise from 20 Hz to 20 MHz					
Voltage rms	650 µV	750 µV	800 µV	1.25 mV	1.9 mV
peak-to-peak	7 mV	9 mV	9 mV	11 mV	16 mV
Current rms	200 mA	100 mA	40 mA	25 mA	12 mA
Readback accuracy at 25 °C ± 5 °C (percent of reading plus fixed)					
Voltage 0.05% +	12 mV	30 mV	50 mV	90 mV	180 mV
±Current 0.1% +	150 mA	100 mA	60 mA	35 mA	18 mA
Load and line regulation					
Voltage 0.002% +	300 µV	650 µV	1.2 mV	2 mV	4 mV
Current 0.005% +	10 mA	7 mA	4 mA	2 mA	1 mA
Transient response time	Less than 900 µs for the output voltage to recover to within 100 mV following a change in load from 100% to 50% or 50% to 100% of the output current rating of the supply				

Supplemental characteristics <i>(Non-warranted characteristics determined by design and useful in applying the product)</i>	6671A	6672A	6673A	6674A	6675A
Average programming resolution					
Voltage	2 mV	5 mV	10 mV	15 mV	30 mV
Current	55 mA	25 mA	15 mA	8.75 mA	4.5 mA
OVP	15 mV	35 mV	65 mV	100 mV	215 mV
Output voltage programming response time* (excluding command processing time)	30 ms	60 ms	130 ms	130 ms	195 ms

* Full load programming rise/fall time (10% to 90% or 90% to 10%) with full resistive load equal to rated output voltage/rated output current.

Specifications, continued

Specifications (at 0 ° to 55 °C unless otherwise specified)	6671A-J03 Special order option	6671A-J04 Special order option	6671A-J08 Special order option	6671A-J17 Special order option	6672A-J04 Special order option	6673A-J03 Special order option	
Number of outputs	1	1	1	1	1	1	
GPIO	Yes	Yes	Yes	Yes	Yes	Yes	
Output ratings							
Output voltage	14 V	10 V	3 V	15 V	24 V	37.5 V	
Output current	150 A	200 A	300 A	120 A	85 A	45 A	
Programming accuracy (at 25 °C ± 5 °C)							
Voltage	0.04% +	14 mV	10 mV	4 mV	15 mV	25 mV	37.5 mV
Current	0.1% +	90 mA	125 mA	250 mA	90 mA	60 mA	40 mA
Ripple and noise from 20 Hz to 20 MHz							
Voltage	rms	1.5 mV	750 µV	1 mV	1.5 mV	1 mV	800 µV
	peak-to-peak	15 mV	9 mV	25 mV	15 mV	11 mV	9 mV
Current	rms	150 mA	200 mA	275 mA	150 mA	100 mA	40 mA
Readback accuracy at 25 °C ± 5 °C (percent of reading plus fixed)							
Voltage	0.05% +	25 mV	15 mV	6 mV	27 mV	40 mV	53.5 mV
±Current	0.1% +	110 mA	150 mA	250 mA	110 mA	100 mA	60 mA
Load and line regulation							
Voltage	0.002% +	600 µV	300 µV	300 µV	650 µV	650 µV	1.2 mV
Current	0.005% +	7 mA	10 mA	15 mA	7 mA	7 mA	4 mA
Transient response time	Less than 900 µs for the output voltage to recover to within 100 mV following a change in load from 100% to 50% or 50% to 100% of the output current rating of the supply						
Supplemental characteristics (Non-warranted characteristics determined by design and useful in applying the product)	6671A-J03 Special order option	6671A-J04 Special order option	6671A-J08 Special order option	6671A-J17 Special order option	6672A-J04 Special order option	6673A-J03 Special order option	
Average programming resolution							
Voltage	4 mV	2.5 mV	1 mV	4 mV	6 mV	10 mV	
Current	40 mA	55 mA	75 mA	35 mA	22 mA	15 mA	
OVP	28 mV	20 mV	8 mV	30 mV	42 mV	65 mV	
Output voltage programming response time* (excluding command processing time)	30 ms	35 ms	30 ms	35 ms	70 ms	130 ms	

* Full load programming rise/fall time (10% to 90% or 90% to 10%) with full resistive load equal to rated output voltage/rated output current.

Specifications, continued

Specifications <i>(at 0 ° to 55 °C unless otherwise specified)</i>	6673A-J08 Special order option	6674A-J03 Special order option	6674A-J07 Special order option	6675A-J04 Special order option	6675A-J06 Special order option
Number of outputs	1	1	1	1	1
 GPIB	Yes	Yes	Yes	Yes	Yes
Output ratings					
Output voltage	40 V	56 V	50 V	160 V	135 V
Output current	50 A	38 A	42 A	13 A	16 A
Programming accuracy (at 25 °C ± 5 °C)					
Voltage 0.04% +	40 mV	60 mV	60 mV	160 mV	125 mV
Current 0.1% +	35 mA	28 mA	30 mA	10 mA	12 mA
Ripple and noise from 20 Hz to 20 MHz					
Voltage rms	1 mV	1.25 mV	1.25 mV	2.8 mV	2 mV
peak-to-peak	10.5 mV	11 mV	11 mV	20 mV	18 mV
Current rms	40 mA	28 mA	25 mA	18 mA	12 mA
Readback accuracy at 25 °C ± 5 °C (percent of reading plus fixed)					
Voltage 0.05% +	60 mV	90 mV	90 mV	240 mV	185 mV
±Current 0.1% +	60 mA	38 mA	42 mA	14 mA	18 mA
Load and line regulation					
Voltage 0.002% +	1.4 mV	2 mV	2 mV	6 mV	4 mV
Current 0.005% +	4 mA	2 mA	2 mA	1 mA	4 mA
Transient response time	Less than 900 µs for the output voltage to recover to within 100 mV following a change in load from 100% to 50% or 50% to 100% of the output current rating of the supply				
Supplemental characteristics <i>(Non-warranted characteristics determined by design and useful in applying the product)</i>	6673A-J08 Special order option	6674A-J03 Special order option	6674A-J07 Special order option	6675A-J04 Special order option	6675A-J06 Special order option
Average programming resolution					
Voltage	10.5 mV	14 mV	12 mV	40 mV	34 mV
Current	12.5 mA	9.5 mA	11 mA	3.25 mA	4 mA
OVP	75 mV	100 mV	85 mV	300 mV	242 mV
Output voltage programming response time* (excluding command processing time)	130 ms	130 ms	130 ms	280 ms	250 ms

* Full load programming rise/fall time (10% to 90% or 90% to 10%) with full resistive load equal to rated output voltage/rated output current.

Specifications, continued

Specifications <i>(at 0 ° to 55 °C unless otherwise specified)</i>	6675A-J07 Special order option	6675A-J08 Special order option	6675A-J09 Special order option	6675A-J11 Special order option
Number of outputs	1	1	1	1
GPIO	Yes	Yes	Yes	Yes
Output ratings				
Output voltage	200 V	100 V	110 V	150 V
Output current	11 A	22 A	20 A	15 A
Programming accuracy (at 25 °C ± 5 °C)				
Voltage 0.04% +	200 mV	120 mV	120 mV	150 mV
Current 0.1% +	8 mA	15 mA	13.5 mA	11 mA
Ripple and noise from 20 Hz to 20 MHz				
Voltage rms	3.5 mV	1.9 mV	1.9 mV	2.5 mV
peak-to-peak	25 mV	16 mV	16 mV	18 mV
Current rms	15 mA	15 mA	13.5 mA	12 mA
Readback accuracy at 25 °C ± 5 °C (percent of reading plus fixed)				
Voltage 0.05% +	300 mV	180 mV	180 mV	225 mV
±Current 0.1% +	12 mA	22 mA	20 mA	15 mA
Load and line regulation				
Voltage 0.002% +	7 mV	4 mV	4 mV	6 mV
Current 0.005% +	1 mA	4 mA	4 mA	1 mA
Transient response time	Less than 900 µs for the output voltage to recover to within 100 mV following a change in load from 100% to 50% or 50% to 100% of the output current rating of the supply			
Supplemental characteristics <i>(Non-warranted characteristics determined by design and useful in applying the product)</i>	6675A-J07 Special order option	6675A-J08 Special order option	6675A-J09 Special order option	6675A-J11 Special order option
Average programming resolution				
Voltage	50 mV	30 mV	30 mV	37.5 mV
Current	2.75 mA	4.5 mA	4.5 mA	3.75 mA
OVP	360 mV	215 mV	215 mV	270 mV
Output voltage programming response time* (excluding command processing time)	350 ms	195 ms	195 ms	250 ms

* Full load programming rise/fall time (10% to 90% or 90% to 10%) with full resistive load equal to rated output voltage/rated output current.

Supplemental characteristics for all model numbers

DC floating voltage: Output terminals can be floated up to ± 240 VDC from chassis ground

Output common-mode noise current: (to signal ground binding post) 500 µA rms, 4 mA peak-to-peak

Remote sensing: Up to half the rated output voltage can be dropped in each load lead. The drop in the load leads subtracts from the voltage available for the load.

Command processing time: Average time required for the output voltage to begin to change following receipt of digital data is 20 ms for the power supplies connected directly to the GPIB

Modulation: (Analog programming of output voltage and current)

Input signal: 0 to -4 V for voltage, 0 to 7 V for current

Input impedance: 60 kΩ or greater

Input power: 3,800 VA, 2,600 W at full load; 170 W at no load

GPIB interface capabilities: SH1, AH1, T6, L4, SR1, RL1, PP0, DC1, DT1, E1, and C0. IEEE-488.2 and SCPI-compatible command set

Software driver:

- IVI-COM
- VXIplug&play

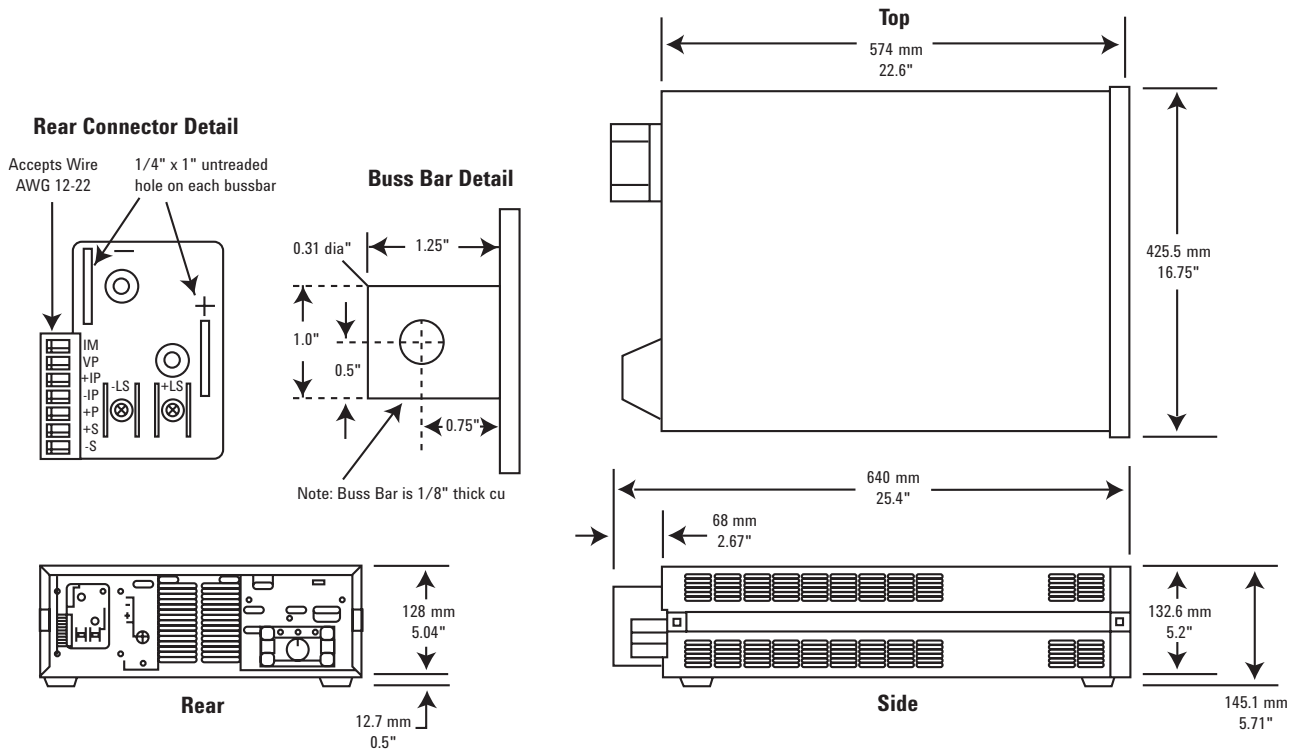
Regulatory compliance: Listed to UL1244; certified to CSA556B; conforms to IEC 61010-1

Size: 425.5 mm W x 132.6 mm H x 640 mm D (16.75 in x 5.22 in x 25.2 in)

Weight: Net, 28.2 kg (62 lb); shipping, 31.8 kg (70 lb)

Warranty: One year

Agilent models: 6671A, 6672A, 6673A, 6674A, 6675A



Ordering information

The 6670 Series power supplies come with full documentation on CD-ROM. The CD-ROM includes user's guide, programming guide, service manual, quick start guide, and application notes.

Opt 200 174 to 220 VAC, 47 to 63 Hz (Japan only)

Opt 230 191 to 250 VAC, 47 to 63 Hz

Opt 0L1 Printed user's and programming guides

Opt 0B3 Printed service manual

Opt S50 Non-latching remote inhibit

Accessories

1CM003A* Rack mount flange kit 132.6 mm H (3U) – two flange brackets

1CP002A* Rack mount flange and handle kit 132.6 mm H (3U) – two brackets and front handles

E3663AC Support rails for Agilent rack cabinets

p/n 1494-0059 Accessory slide kit

p/n 1252-3698 7-pin analog plug

p/n 1252-1488 4-pin digital plug

p/n 5080-2148 Serial link cable 2 m (6.6 ft)

Application notes

6671A/72A/81A/82A/90A System DC Power Supplies Product Overview, 5988-3050EN

Agilent DC Power Supplies for Base Station Testing, 5988-2386EN

10 Practical Tips You Need to Know About Your Power Products, 5965-8239E

* Support rails required



Agilent Advantage Services is committed to your success throughout your equipment's lifetime. To keep you competitive, we continually invest in tools and processes that speed up calibration and repair and reduce your cost of ownership. You can also use Infoline Web Services to manage equipment and services more effectively. By sharing our measurement and service expertise, we help you create the products that change our world.

www.agilent.com/find/advantageservices



www.agilent.com/find/emailupdates

Get the latest information on the products and applications you select.

Agilent Channel Partners

www.agilent.com/find/channelpartners

Get the best of both worlds: Agilent's measurement expertise and product breadth, combined with channel partner convenience.

For more information on Agilent Technologies' products, applications or services, please contact your local Agilent office. The complete list is available at: www.agilent.com/find/contactus

Americas

Canada	(877) 894 4414
Brazil	(11) 4197 3600
Mexico	01800 5064 800
United States	(800) 829 4444

Asia Pacific

Australia	1 800 629 485
China	800 810 0189
Hong Kong	800 938 693
India	1 800 112 929
Japan	0120 (421) 345
Korea	080 769 0800
Malaysia	1 800 888 848
Singapore	1 800 375 8100
Taiwan	0800 047 866
Other AP Countries	(65) 375 8100

Europe & Middle East

Belgium	32 (0) 2 404 93 40
Denmark	45 45 80 12 15
Finland	358 (0) 10 855 2100
France	0825 010 700*
	*0.125 €/minute
Germany	49 (0) 7031 464 6333
Ireland	1890 924 204
Israel	972-3-9288-504/544
Italy	39 02 92 60 8484
Netherlands	31 (0) 20 547 2111
Spain	34 (91) 631 3300
Sweden	0200-88 22 55
United Kingdom	44 (0) 118 927 6201

For other unlisted countries:

www.agilent.com/find/contactus

Revised: January 6, 2012

Product specifications and descriptions in this document subject to change without notice.

© Agilent Technologies, Inc. 2012
Published in USA, March 14, 2012
5990-9306EN

