

Agilent 6570A Series Single-Output, 2000 W DC Power Supplies

Data Sheet

Speed and accuracy for test optimization



- Front panel and analog control of output voltage and current
- Fast, low-noise outputs
- Fan-speed control to minimize acoustic noise
- Protection features to ensure DUT safety

This series of 2000 watt DC power supplies has the exceptional, proven reliability that test system engineers look for. It also has the unusual combination of high efficiency and low noise operation.

These DC power supplies can be controlled either from the front panel or via an analog programming voltage. When used in a test system, the fast up and down programming helps decrease test time. Quickly reacting protection features, including CV/CC mode crossover and over-voltage protection help protect your valuable assemblies from damage.

Lab-bench use is enhanced by the fan-speed control, which minimizes acoustic noise. The extremely low ripple and noise helps the test engineer make extremely accurate current and voltage measurements.



Agilent Technologies

Specifications

| Specifications <i>(at 0 ° to 55 °C unless otherwise specified)</i> | 6571A | 6572A | 6573A | 6574A | 6575A | 6571A-J03 Special order option | |
|--|---|--------------|--------------|--------------|--------------|--|--------|
| Number of outputs | 1 | 1 | 1 | 1 | 1 | 1 | |
| GPIO | No | No | No | No | No | No | |
| Output ratings | | | | | | | |
| Output voltage | 0 to 8 V | 0 to 20 V | 0 to 35 V | 0 to 60 V | 0 to 120 V | 14 V | |
| Output current | 0 to 220 A | 0 to 100 A | 0 to 60 A | 0 to 35 A | 0 to 18 A | 150 A | |
| Programming accuracy (at 25 °C ± 5 °C) | | | | | | | |
| Voltage | 0.04% + | 8 mV | 20 mV | 35 mV | 60 mV | 120 mV | 14 mV |
| Current | 0.1% + | 125 mA | 60 mA | 40 mA | 25 mA | 12 mA | 90 mA |
| Ripple and noise from 20 Hz to 20 MHz | | | | | | | |
| Voltage | rms | 650 µV | 750 µV | 800 µV | 1.25 mV | 1.9 mV | 1.5 mV |
| | peak-to-peak | 7 mV | 9 mV | 9 mV | 11 mV | 16 mV | 15 mV |
| Current | rms | 200 mA | 100 mA | 40 mA | 25 mA | 12 mA | 150 mA |
| Load and line regulation | | | | | | | |
| Voltage | 0.002% + | 300 µV | 650 µV | 1.2 mV | 2 mV | 4 mV | 600 µV |
| Current | 0.005% + | 10 mA | 7 mA | 4 mA | 2 mA | 1 mA | 7 mA |
| Transient response time | Less than 900 µs for the output voltage to recover to within 100 mV following a change in load from 100% to 50% or 50% to 100% of the output current rating of the supply | | | | | | |

| Supplemental characteristics <i>(Non-warranted characteristics determined by design and useful in applying the product)</i> | 6571A | 6572A | 6573A | 6574A | 6575A | 6571A-J03 Special order option |
|---|--------------|--------------|--------------|--------------|--------------|--|
| Average programming resolution | | | | | | |
| Voltage | 2 mV | 5 mV | 9 mV | 15 mV | 30 mV | 4 mV |
| Current | 55 mA | 25 mA | 15 mA | 8.75 mA | 4.5 mA | 40 mA |
| OVP | 15 mV | 35 mV | 65 mV | 100 mV | 215 mV | 28 mV |
| Output voltage programming response time* (excluding command processing time) | 30 ms | 60 ms | 130 ms | 130 ms | 195 ms | 30 ms |

* Full load programming rise/fall time (10% to 90% or 90% to 10%) with full resistive load equal to rated output voltage/rated output current.

Specifications, continued

| Specifications <i>(at 0 ° to 55 °C unless otherwise specified)</i> | 6571A-J04 Special order option | 6571A-J17 Special order option | 6573A-J03 Special order option | 6573A-J08 Special order option | 6574A-J03 Special order option | 6574A-J07 Special order option |
|---|---|--|--|--|--|--|
| Number of outputs | 1 | 1 | 1 | 1 | 1 | 1 |
| GPIB | No | No | No | No | No | No |
| Output ratings | | | | | | |
| Output voltage | 10 V | 15 V | 37.5 V | 40 V | 56 V | 50 V |
| Output current | 200 A | 120 A | 45 A | 50 A | 38 A | 42 A |
| Programming accuracy (at 25 °C ± 5 °C) | | | | | | |
| Voltage 0.04% + | 10 mV | 15 mV | 37.5 mV | 40 mV | 60 mV | 60 mV |
| Current 0.1% + | 125 mA | 90 mA | 40 mA | 35 mA | 28 mA | 30 mA |
| Ripple and noise from 20 Hz to 20 MHz | | | | | | |
| Voltage rms | 750 µV | 1.5 mV | 800 µV | 1 mV | 1.25 mV | 1.25 mV |
| peak-to-peak | 9 mV | 15 mV | 9 mV | 10.5 mV | 11 mV | 11 mV |
| Current rms | 200 mA | 150 mA | 40 mA | 40 mA | 28 mA | 25 mA |
| Load and line regulation | | | | | | |
| Voltage 0.002% + | 300 µV | 650 µV | 1.2 mV | 1.4 mV | 2 mV | 2 mV |
| Current 0.005% + | 10 mA | 7 mA | 4 mA | 4 mA | 2 mA | 2 mA |
| Transient response time | Less than 900 µs for the output voltage to recover to within 100 mV following a change in load from 100% to 50% or 50% to 100% of the output current rating of the supply | | | | | |
| Supplemental characteristics <i>(Non-warranted characteristics determined by design and useful in applying the product)</i> | 6571A-J04 Special order option | 6571A-J17 Special order option | 6573A-J03 Special order option | 6573A-J08 Special order option | 6574A-J03 Special order option | 6574A-J07 Special order option |
| Average programming resolution | | | | | | |
| Voltage | 2.5 mV | 4 mV | 10 mV | 10.5 mV | 14 mV | 12 mV |
| Current | 55 mA | 35 mA | 15 mA | 12.5 mA | 9.5 mA | 11 mA |
| OVP | 20 mV | 30 mV | 65 mV | 75 mV | 100 mV | 85 mV |
| Output voltage programming response time* (excluding command processing time) | 35 ms | 35 ms | 130 ms | 130 ms | 130 ms | 130 ms |

* Full load programming rise/fall time (10% to 90% or 90% to 10%) with full resistive load equal to rated output voltage/rated output current.

Specifications, continued

| Specifications (at 0 ° to 55 °C unless otherwise specified) | 6575A-J04 Special order option | 6575A-J06 Special order option | 6575A-J07 Special order option | 6575A-J08 Special order option | 6575A-J09 Special order option | 6575A-J11 Special order option | |
|---|---|--|--|--|--|--|--------|
| Number of outputs | 1 | 1 | 1 | 1 | 1 | 1 | |
| GPIO | No | No | No | No | No | No | |
| Output ratings | | | | | | | |
| Output voltage | 160 V | 135 V | 200 V | 100 V | 110 V | 150 V | |
| Output current | 13 A | 16 A | 11 A | 22 A | 20 A | 15 A | |
| Programming accuracy (at 25 °C ± 5 °C) | | | | | | | |
| Voltage | 0.04% + | 160 mV | 125 mV | 200 mV | 120 mV | 120 mV | 150 mV |
| Current | 0.1% + | 10 mA | 12 mA | 8 mA | 15 mA | 13.5 mA | 11 mA |
| Ripple and noise from 20 Hz to 20 MHz | | | | | | | |
| Voltage | rms | 2.8 mV | 2 mV | 3.5 mV | 1.9 mV | 1.9 mV | 2.5 mV |
| | peak-to-peak | 20 mV | 18 mV | 25 mV | 16 mV | 16 mV | 18 mV |
| Current | rms | 18 mA | 12 mA | 15 mA | 15 mA | 13.5 mA | 12 mA |
| Load and line regulation | | | | | | | |
| Voltage | 0.002% + | 6 mV | 4 mV | 7 mV | 4 mV | 4 mV | 6 mV |
| Current | 0.005% + | 1 mA | 4 mA | 1 mA | 4 mA | 4 mA | 1 mA |
| Transient response time | Less than 900 µs for the output voltage to recover to within 100 mV following a change in load from 100% to 50% or 50% to 100% of the output current rating of the supply | | | | | | |

| Supplemental characteristics (Non-warranted characteristics determined by design and useful in applying the product) | 6575A-J04 Special order option | 6575A-J06 Special order option | 6575A-J07 Special order option | 6575A-J08 Special order option | 6575A-J09 Special order option | 6575A-J11 Special order option |
|--|--|--|--|--|--|--|
| Average programming resolution | | | | | | |
| Voltage | 40 mV | 34 mV | 50 mV | 30 mV | 30 mV | 37.5 mV |
| Current | 3.25 mA | 4 mA | 2.75 mA | 4.5 mA | 4.5 mA | 3.75 mA |
| OVP | 300 mV | 242 mV | 360 mV | 215 mV | 215 mV | 270 mV |
| Output voltage programming response time* (excluding command processing time) | 280 ms | 250 ms | 350 ms | 195 ms | 195 ms | 250 ms |

* Full load programming rise/fall time (10% to 90% or 90% to 10%) with full resistive load equal to rated output voltage/rated output current.

Supplemental characteristics for all model numbers

DC floating voltage: Output terminals can be floated up to ± 240 VDC from chassis ground

Output common-mode noise current: (to signal ground binding post) 500 µA rms, 4 mA peak-to-peak

Remote sensing: Up to half the rated output voltage can be dropped in each load lead. The drop in the load leads subtracts from the voltage available for the load.

Modulation: (Analog programming of output voltage and current)

Input signal: 0 to -4 V for voltage, 0 to 7 V for current

Input impedance: 30 kΩ or greater

Input power: 3,800 VA, 2,600 W at full load; 170 W at no load

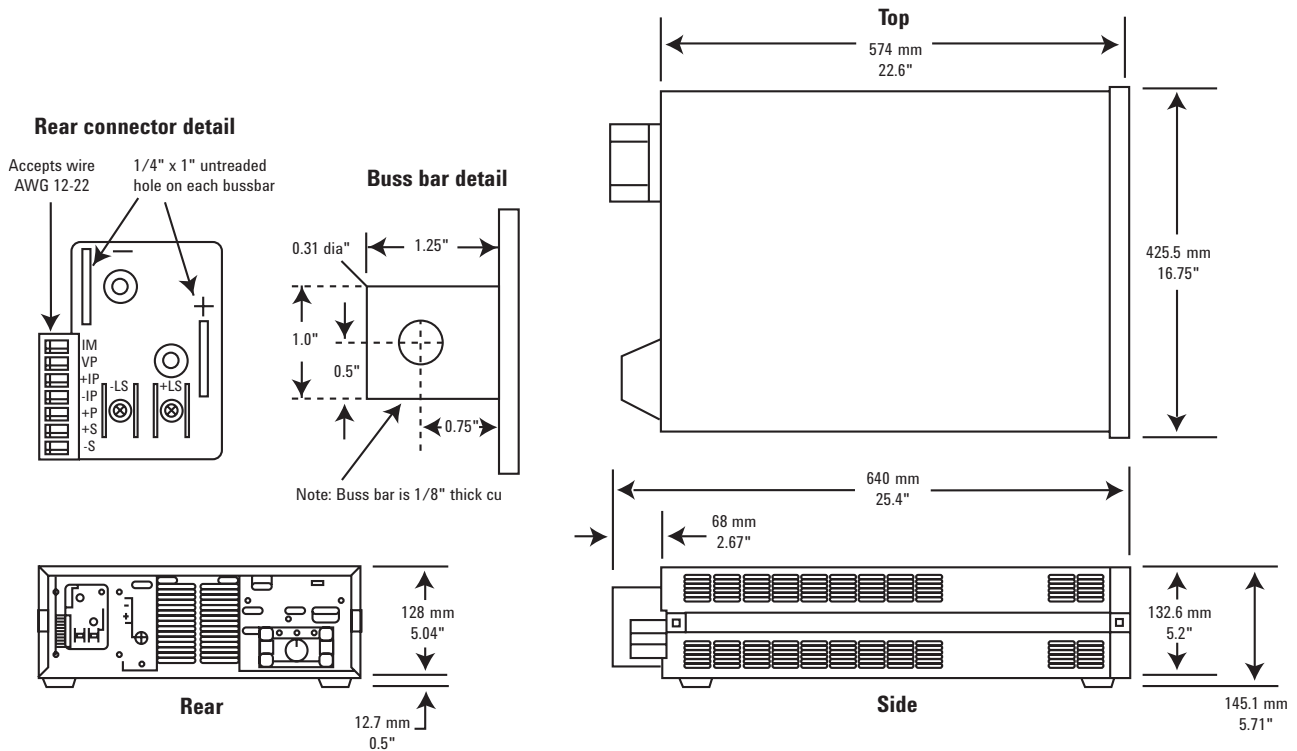
Regulatory compliance: Listed to UL1244; certified to CSA556B; conforms to IEC 61010-1

Size: 425.5 mm W x 132.6 mm H x 640 mm D (16.75 in x 5.22 in x 25.2 in)

Weight: Net, 28.2 kg (62 lb); shipping, 31.8 kg (70 lb)

Warranty: One year

Agilent models: 6571A, 6572A, 6573A, 6574A, 6575A



Ordering information

The 6570 Series power supplies come with full documentation on CD-ROM. The CD-ROM includes user's guide, service manual, quick start guide, and application notes

Opt 200 174 to 220 VAC, 47 to 63 Hz (Japan only)

Opt 230 191 to 250 VAC, 47 to 63 Hz

Opt 0L1 Printed user's guide

Opt 0B3 Printed service manual

Accessories

1CM003A* Rack mount flange kit 132.6 mm H (3U) – two flange brackets

1CP002A* Rack mount flange and handle kit 132.6 mm H (3U) – two brackets and front handles

E3663AC Support rails for Agilent rack cabinets

p/n 1494-0059 Accessory slide kit

Application notes

Agilent DC Power Supplies for Base Station Testing, 5988-2386EN

10 Practical Tips You Need to Know About Your Power Products, 5965-8239E

* Support rails required



Agilent Advantage Services is committed to your success throughout your equipment's lifetime. To keep you competitive, we continually invest in tools and processes that speed up calibration and repair and reduce your cost of ownership. You can also use Infoline Web Services to manage equipment and services more effectively. By sharing our measurement and service expertise, we help you create the products that change our world.

www.agilent.com/find/advantageservices



Agilent Email Updates

www.agilent.com/find/emailupdates

Get the latest information on the products and applications you select.

Agilent Channel Partners

www.agilent.com/find/channelpartners

Get the best of both worlds: Agilent's measurement expertise and product breadth, combined with channel partner convenience.

For more information on Agilent Technologies' products, applications or services, please contact your local Agilent office. The complete list is available at: www.agilent.com/find/contactus

Americas

| | |
|---------------|----------------|
| Canada | (877) 894 4414 |
| Brazil | (11) 4197 3600 |
| Mexico | 01800 5064 800 |
| United States | (800) 829 4444 |

Asia Pacific

| | |
|--------------------|----------------|
| Australia | 1 800 629 485 |
| China | 800 810 0189 |
| Hong Kong | 800 938 693 |
| India | 1 800 112 929 |
| Japan | 0120 (421) 345 |
| Korea | 080 769 0800 |
| Malaysia | 1 800 888 848 |
| Singapore | 1 800 375 8100 |
| Taiwan | 0800 047 866 |
| Other AP Countries | (65) 375 8100 |

Europe & Middle East

| | |
|----------------|----------------------|
| Belgium | 32 (0) 2 404 93 40 |
| Denmark | 45 45 80 12 15 |
| Finland | 358 (0) 10 855 2100 |
| France | 0825 010 700* |
| | *0.125 €/minute |
| Germany | 49 (0) 7031 464 6333 |
| Ireland | 1890 924 204 |
| Israel | 972-3-9288-504/544 |
| Italy | 39 02 92 60 8484 |
| Netherlands | 31 (0) 20 547 2111 |
| Spain | 34 (91) 631 3300 |
| Sweden | 0200-88 22 55 |
| United Kingdom | 44 (0) 118 927 6201 |

For other unlisted countries:

www.agilent.com/find/contactus

Revised: January 6, 2012

Product specifications and descriptions in this document subject to change without notice.

© Agilent Technologies, Inc. 2012
Published in USA, March 26, 2012
5990-9300EN

