

80A03
TekConnect Probe Interface Module
Instruction Manual



071-1298-04

80A03

TekConnect Probe Interface Module

Instruction Manual

This document applies to firmware version 2.3 and above.

Warning

The servicing instructions are for use by qualified personnel only. To avoid personal injury, do not perform any servicing unless you are qualified to do so. Refer to all safety summaries prior to performing service.

www.tektronix.com

071-1298-04

Tektronix

Copyright © Tektronix. All rights reserved. Licensed software products are owned by Tektronix or its subsidiaries or suppliers, and are protected by national copyright laws and international treaty provisions.

Tektronix products are covered by U.S. and foreign patents, issued and pending. Information in this publication supersedes that in all previously published material. Specifications and price change privileges reserved.

TEKTRONIX and TEK are registered trademarks of Tektronix, Inc.

TekConnect is a registered trademark of Tektronix, Inc.

TriMode is a trademark of Tektronix, Inc.

Contacting Tektronix

Tektronix, Inc.
14200 SW Karl Braun Drive
P.O. Box 500
Beaverton, OR 97077
USA

For product information, sales, service, and technical support:

- In North America, call 1-800-833-9200.
- Worldwide, visit www.tektronix.com to find contacts in your area.

Warranty

Tektronix warrants that this product will be free from defects in materials and workmanship for a period of one (1) year from the date of shipment. If any such product proves defective during this warranty period, Tektronix, at its option, either will repair the defective product without charge for parts and labor, or will provide a replacement in exchange for the defective product. Parts, modules and replacement products used by Tektronix for warranty work may be new or reconditioned to like new performance. All replaced parts, modules and products become the property of Tektronix.

In order to obtain service under this warranty, Customer must notify Tektronix of the defect before the expiration of the warranty period and make suitable arrangements for the performance of service. Customer shall be responsible for packaging and shipping the defective product to the service center designated by Tektronix, with shipping charges prepaid. Tektronix shall pay for the return of the product to Customer if the shipment is to a location within the country in which the Tektronix service center is located. Customer shall be responsible for paying all shipping charges, duties, taxes, and any other charges for products returned to any other locations.

This warranty shall not apply to any defect, failure or damage caused by improper use or improper or inadequate maintenance and care. Tektronix shall not be obligated to furnish service under this warranty a) to repair damage resulting from attempts by personnel other than Tektronix representatives to install, repair or service the product; b) to repair damage resulting from improper use or connection to incompatible equipment; c) to repair any damage or malfunction caused by the use of non-Tektronix supplies; or d) to service a product that has been modified or integrated with other products when the effect of such modification or integration increases the time or difficulty of servicing the product.

THIS WARRANTY IS GIVEN BY TEKTRONIX WITH RESPECT TO THE PRODUCT IN LIEU OF ANY OTHER WARRANTIES, EXPRESS OR IMPLIED. TEKTRONIX AND ITS VENDORS DISCLAIM ANY IMPLIED WARRANTIES OF MERCHANTABILITY OR FITNESS FOR A PARTICULAR PURPOSE. TEKTRONIX' RESPONSIBILITY TO REPAIR OR REPLACE DEFECTIVE PRODUCTS IS THE SOLE AND EXCLUSIVE REMEDY PROVIDED TO THE CUSTOMER FOR BREACH OF THIS WARRANTY. TEKTRONIX AND ITS VENDORS WILL NOT BE LIABLE FOR ANY INDIRECT, SPECIAL, INCIDENTAL, OR CONSEQUENTIAL DAMAGES IRRESPECTIVE OF WHETHER TEKTRONIX OR THE VENDOR HAS ADVANCE NOTICE OF THE POSSIBILITY OF SUCH DAMAGES.

[W2 – 15AUG04]

Table of Contents

General Safety Summary	iv
Service Safety Summary	vi
Compliance Information	vii
EMC Compliance	vii
Environmental Considerations	ix
Getting Started	1
Compatible Probes	2
Compatible Modules	3
The TekConnect Interface	4
Standard Accessories	4
Optional Accessories	4
Installing the TekConnect Probe Interface Module	5
Performing a Functional Check	10
Calibrating the TekConnect Probe Interface Module	12
Nulling Offset Errors	13
Operating Basics	17
Understanding the Controls	17
Triggering the Mainframe	18
Sampling Module Incompatibility	23
Reference	25
Avoiding Damage from Overvoltage	25
Avoiding Damage from Electrostatic Discharge	25
Specifications	27
Maintenance	31
Inspecting and Cleaning	31
Troubleshooting	31
Replacing Parts	32
Repackaging for Shipment	32
Replaceable Parts	33
Parts Ordering Information	33
Using the Replaceable Parts List	33

List of Figures

Figure 1: The 80A03 TekConnect Probe Interface Module	1
Figure 2: TekConnect Probe Interface Module inputs and outputs	5
Figure 3: Extender cable connection to the mainframe	6
Figure 4: Installing the sampling module into the TekConnect Probe Interface Module.....	7
Figure 5: Connecting the sampling module	8
Figure 6: Installing TekConnect probes.....	9
Figure 7: Equipment setup for functional check	11
Figure 8: Setup for Nulling Offset Errors.....	13
Figure 9: Compensation screen	14
Figure 10: Removing the semi-rigid cable	19
Figure 11: Setup for triggering the mainframe using the 80A03 TekConnect Probe Interface Module .	20
Figure 12: Trigger offset indicator.....	21
Figure 13: Setup for triggering the mainframe and viewing signals using the 80A03 TekConnect Probe Interface Module.....	22
Figure 14: Insertion loss	28
Figure 15: Return loss	29
Figure 16: 80A03 replaceable parts	34

List of Tables

Table 1: TekConnect probes compatible with the 80A03 Module	2
Table 2: Supported Tektronix sampling modules	3
Table 3: 80A03 features and standard accessories	4
Table 4: Recommended equipment for performing a functional check	10
Table 5: Recommended equipment for triggering setups	18
Table 6: Electrical characteristics	27
Table 7: Environmental characteristics	27
Table 8: Physical characteristics	28
Table 9: Columns in replaceable parts table	33
Table 10: Replaceable parts	35

General Safety Summary

Review the following safety precautions to avoid injury and prevent damage to this product or any products connected to it.

To avoid potential hazards, use this product only as specified.

Only qualified personnel should perform service procedures.

While using this product, you may need to access other parts of a larger system. Read the safety sections of the other component manuals for warnings and cautions related to operating the system.

To Avoid Fire or Personal Injury

Connect and Disconnect Properly. Do not connect or disconnect probes or test leads while they are connected to a voltage source.

Connect and Disconnect Properly. Connect the probe output to the measurement instrument before connecting the probe to the circuit under test. Connect the probe reference lead to the circuit under test before connecting the probe input. Disconnect the probe input and the probe reference lead from the circuit under test before disconnecting the probe from the measurement instrument.

Ground the Product. This product is indirectly grounded through the grounding conductor of the mainframe power cord. To avoid electric shock, the grounding conductor must be connected to earth ground. Before making connections to the input or output terminals of the product, ensure that the product is properly grounded.

Observe All Terminal Ratings. To avoid fire or shock hazard, observe all ratings and markings on the product. Consult the product manual for further ratings information before making connections to the product.

Connect the probe reference lead to earth ground only.

Do not apply a potential to any terminal, including the common terminal, that exceeds the maximum rating of that terminal.

Do Not Operate Without Covers. Do not operate this product with covers or panels removed.

Do Not Operate With Suspected Failures. If you suspect that there is damage to this product, have it inspected by qualified service personnel.

Avoid Exposed Circuitry. Do not touch exposed connections and components when power is present.

Do Not Operate in Wet/Damp Conditions.

Do Not Operate in an Explosive Atmosphere.

Keep Product Surfaces Clean and Dry.

Provide Proper Ventilation. Refer to the manual's installation instructions for details on installing the product so it has proper ventilation.

Terms in this Manual These terms may appear in this manual:



WARNING. *Warning statements identify conditions or practices that could result in injury or loss of life.*



CAUTION. *Caution statements identify conditions or practices that could result in damage to this product or other property.*

Symbols and Terms on the Product

These terms may appear on the product:

- DANGER indicates an injury hazard immediately accessible as you read the marking.
- WARNING indicates an injury hazard not immediately accessible as you read the marking.
- CAUTION indicates a hazard to property including the product.

The following symbol(s) may appear on the product:



CAUTION
Refer to Manual

Service Safety Summary

Only qualified personnel should perform service procedures. Read this *Service Safety Summary* and the *General Safety Summary* before performing any service procedures.

Do Not Service Alone. Do not perform internal service or adjustments of this product unless another person capable of rendering first aid and resuscitation is present.

Disconnect Power. To avoid electric shock, switch off the instrument power, then disconnect the power cord from the mains power.

Use Care When Servicing With Power On. Dangerous voltages or currents may exist in this product. Disconnect power, remove battery (if applicable), and disconnect test leads before removing protective panels, soldering, or replacing components.

To avoid electric shock, do not touch exposed connections.

Compliance Information

This section lists the EMC (electromagnetic compliance) and environmental standards with which the instrument complies.

EMC Compliance

EC Declaration of Conformity – EMC

Meets intent of Directive 2004/108/EC for Electromagnetic Compatibility. Compliance was demonstrated to the following specifications as listed in the Official Journal of the European Communities:

EN 61326-1:2006, EN 61326-2-1:2006. EMC requirements for electrical equipment for measurement, control, and laboratory use. ^{1 2 3 4}

- CISPR 11:2003. Radiated and conducted emissions, Group 1, Class A
- IEC 61000-4-2:2001. Electrostatic discharge immunity
- IEC 61000-4-3:2002. RF electromagnetic field immunity
- IEC 61000-4-4:2004. Electrical fast transient/burst immunity
- IEC 61000-4-5:2001. Power line surge immunity
- IEC 61000-4-6:2003. Conducted RF immunity
- IEC 61000-4-11:2004. Voltage dips and interruptions immunity⁵

EN 61000-3-2:2006. AC power line harmonic emissions

EN 61000-3-3:1995. Voltage changes, fluctuations, and flicker

European Contact.

Tektronix UK, Ltd.
Western Peninsula
Western Road
Bracknell, RG12 1RF
United Kingdom

¹ This product is intended for use in nonresidential areas only. Use in residential areas may cause electromagnetic interference.

² Emissions which exceed the levels required by this standard may occur when this equipment is connected to a test object.

³ To ensure compliance with the EMC standards listed here, high quality shielded interface cables should be used.

⁴ Instrument rebooting may be experienced where the EUT takes longer than 10 seconds to recover from IEC61000-4-11 transient immunity test.

⁵ Performance Criterion C applied at the 70%/25 cycle Voltage-Dip and the 0%/250 cycle Voltage-Interruption test levels (IEC 61000-4-11).

**Australia / New Zealand
Declaration of
Conformity – EMC**

Complies with the EMC provision of the Radiocommunications Act per the following standard, in accordance with ACMA:

- CISPR 11:2003. Radiated and Conducted Emissions, Group 1, Class A, in accordance with EN 61326-1:2006 and EN 61326-2-1:2006.

Environmental Considerations

This section provides information about the environmental impact of the product.

Product End-of-Life Handling

Observe the following guidelines when recycling an instrument or component:

Equipment Recycling. Production of this equipment required the extraction and use of natural resources. The equipment may contain substances that could be harmful to the environment or human health if improperly handled at the product's end of life. In order to avoid release of such substances into the environment and to reduce the use of natural resources, we encourage you to recycle this product in an appropriate system that will ensure that most of the materials are reused or recycled appropriately.



This symbol indicates that this product complies with the applicable European Union requirements according to Directives 2002/96/EC and 2006/66/EC on waste electrical and electronic equipment (WEEE) and batteries. For information about recycling options, check the Support/Service section of the Tektronix Web site (www.tektronix.com).

Restriction of Hazardous Substances

This product has been classified as Monitoring and Control equipment, and is outside the scope of the 2002/95/EC RoHS Directive.

Getting Started

The 80A03 TekConnect Probe Interface Module is an adapter that allows you to use TekConnect probes with 80E0X sampling modules and the following main instruments (mainframes):

- DSA8200 Digital Serial Analyzer
- CSA8000, CSA8000B, and CSA8200 Communications Signal Analyzers
- TDS8000, TDS8000B, and TDS8200 Digital Sampling Oscilloscopes

The interface is comprised of an enclosure that houses a compartment for one 80E0X electrical sampling module and two TekConnect probe inputs. The interface connects to the mainframe through a permanently attached 1 meter extender cable.

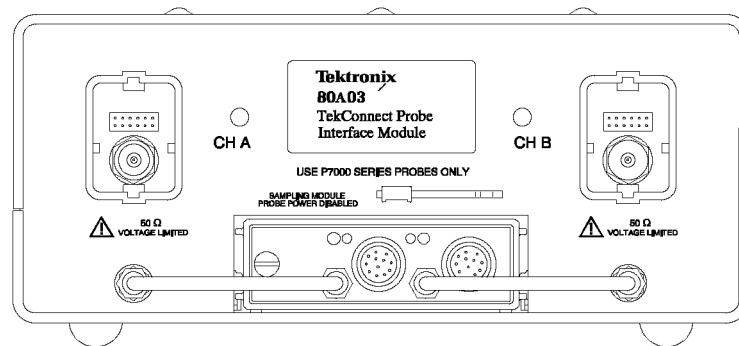


Figure 1: The 80A03 TekConnect Probe Interface Module

The 80A03 TekConnect Probe Interface Module can also be used as a general-purpose sampling module extender cable. Simply disconnect the short semi-rigid cables on the front panel of the interface and use the sampling module inputs directly.

Compatible Probes

The TekConnect Probe Interface Module supports probe interface conversion between the previously listed mainframes and the following supported TekConnect probes:

Table 1: TekConnect probes compatible with the 80A03 Module

Probe model	Probe bandwidth & type
P7225	2.5 GHz Single-ended
P7240	4 GHz Single-ended
P7260	6 GHz Single-ended
P7313	13 GHz Differential
P7313SMA	13 GHz Differential, SMA inputs
P7330	3 GHz Differential
P7340A	4 GHz Differential
P7350	5 GHz Differential
P7350SMA	5 GHz Differential, SMA inputs
P7360A	6 GHz Differential
P7380	8 GHz Differential
P7380A	8 GHz Differential
P7380SMA	8 GHz Differential, SMA inputs
P7504	4 GHz TriMode
P7506	6 GHz TriMode
P7508	8 GHz TriMode
P7513	13 GHz TriMode
P7513A	13 GHz TriMode
P7516	16 GHz TriMode
P7520	20 GHz TriMode

Compatible Modules

The following electrical sampling modules are recommended for use with the 80A03 TekConnect Probe Interface Module.

Table 2: Supported Tektronix sampling modules

Sampling modules	Description
80E01 ¹	Single channel, 50 GHz
80E02 ²	Dual channel, 12.5 GHz
80E03 ²	Dual channel, 20 GHz
80E04 ²	Dual channel, 20 GHz with TDR
80E06 ¹	Single channel, 70 GHz
80E07 ¹	Dual channel, 30 GHz
80E08 ¹	Dual channel, 30 GHz
80E09 ¹	Dual channel, 60 GHz
80E010 ¹	Dual channel, 50 GHz

¹ Requires 2.4/1.85 mm to 2.92 mm SMA adapter (Tektronix part number 011-0157-00, standard with these sampling modules). Also requires custom cable not available from Tektronix: use a short high-quality SMA cable or fabricate your own semi-rigid cable. Bandwidth using these modules is limited by the 80A03 adapter.

² Recommended for use with 80A03 TekConnect Probe Interface Module.

The 80A03 disables the Probe Power interface on the front of the sampling modules. Do not use the 80A03 with probes that connect directly to the Probe Power, such as the P6209 and P6207.

There is also no support for TekProbe Level 2 legacy probes that utilize the TCA-1MEG, TCA-BNC, and TCA75 adapters.

The TekConnect Interface

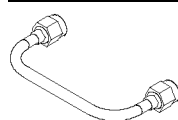

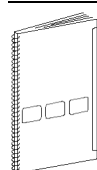
Power for the 80A03 TekConnect Probe Interface Module, sampling module, and TekConnect probes is supplied through the cable that connects the TekConnect Probe Interface Module to your mainframe. The same cable also provides a data and communications path from the probe contact pins through the interface to the mainframe. Power, signal, offset, and probe characteristic data transfers through this interface.

When a probe is connected, the TekConnect Probe Interface Module reads information from the probe, identifies the device, and turns on the appropriate power supplies.

Standard Accessories

The features and standard accessories for the 80A03 TekConnect Probe Interface Module are listed below.

Table 3: 80A03 features and standard accessories

Accessory	Description
	<p>Semi-Rigid Cables. Consists of two semi-rigid SMA-to-SMA cables for connecting the electrical sampling module to the TekConnect Probe Interface Module.</p> <p>Tektronix part number 174-4857-XX</p>
	<p>Statement of compliance. A certificate verifying the product was assembled and verified using established procedures and work instructions. When applicable, test equipment is traceable to known standards.</p> <p>Included with product at initial shipment. This accessory cannot be ordered.</p>
	<p>Instruction Manual. Provides instructions for operating and maintaining the 80A03 TekConnect Probe Interface Module.</p> <p>Tektronix part number 071-1298-XX</p>

Optional Accessories

No optional accessories are available for the 80A03 TekConnect Probe Interface Module.

Installing the TekConnect Probe Interface Module

The following figure shows the TekConnect Probe Interface Module and locations of the sampling module and probe inputs. The extender cable on the rear of the interface connects to the mainframe front panel.

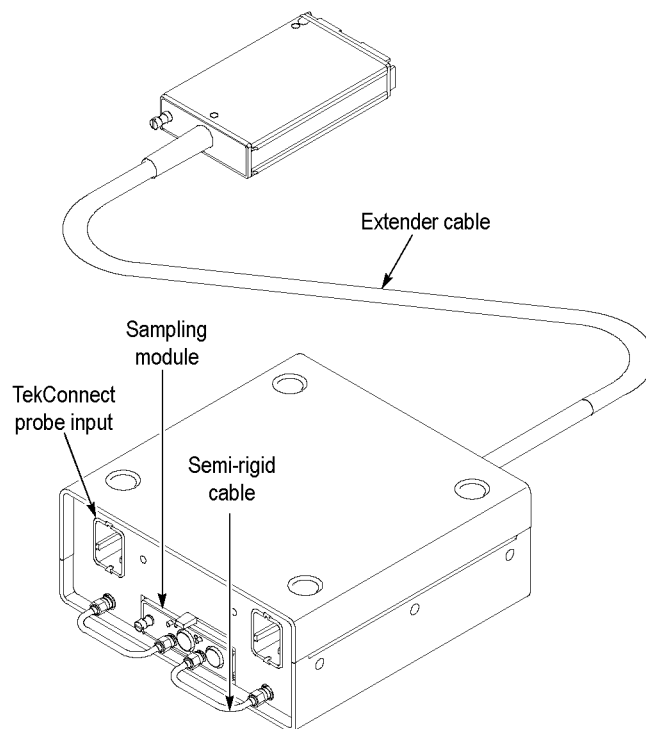


Figure 2: TekConnect Probe Interface Module inputs and outputs

Installing the TekConnect Probe Interface Module consists of the following steps:

1. Connecting the Interface Module to the mainframe
2. Installing the Sampling Module
3. Installing the semi-rigid SMA connector cables
4. Installing the TekConnect probe

Connecting the Interface Module to the Main Instrument

To install the TekConnect Probe Interface Module Extender Cable into the front panel of your mainframe, perform the following tasks:



CAUTION. To prevent damage to the sampling module, never install or remove a module when the mainframe is powered on or when either input connector is left unprotected. Follow the precautions described in your sampling module and mainframe documentation to avoid damage.

1. Turn off the mainframe using the front-panel On/Standby switch.
2. Install the TekConnect Probe Interface Module Extender Cable connector into any of the small sampling module compartments on the front panel of the mainframe. (See Figure 3.)
3. Push the module in slowly with firm pressure to seat it.
4. Tighten the hold-down screw to hold the connector in place. To remove the connector later, loosen the hold-down screw and slide the ejector lever.

NOTE. Installing a large sampling module into a large compartment of the mainframe may disable channels on a small module already installed. Refer to the documentation for your mainframe about compartment interaction.

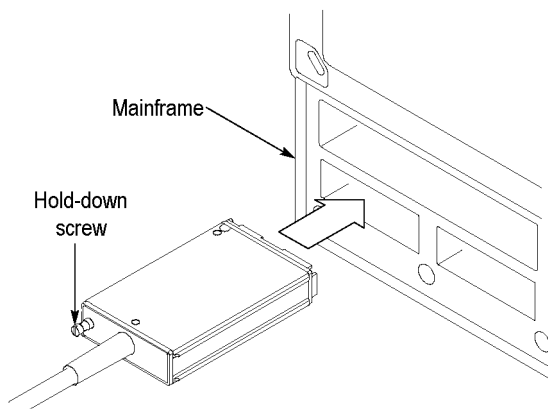


Figure 3: Extender cable connection to the mainframe

NOTE. Do not use any additional extender cables to connect the 80A03 TekConnect Probe Interface Module to the mainframe.

Installing the Sampling Module

To install the sampling module into the front panel of the TekConnect Probe Interface Module, perform the following tasks:



CAUTION. *Sampling modules are inherently vulnerable to static damage. Always observe static-safe procedures and precautions as outlined in your sampling module user manual.*

1. Verify that the mainframe is powered off; if necessary, toggle the front-panel On/Standby switch.
2. Insert the sampling module into the front-panel compartment of the TekConnect Probe Interface Module. (See Figure 4.)
3. Push the module in slowly with firm pressure to seat it.
4. Once the module is seated, turn the hold-down screw to tighten the sampling module in place. (See Figure 4.)
5. To release the module later, loosen the hold-down screw fully, and then slide the ejector lever.

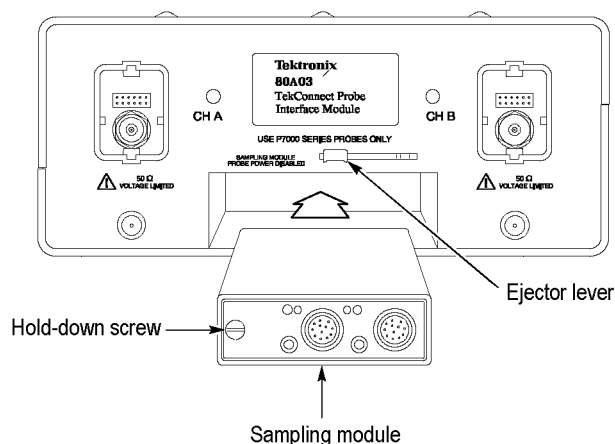


Figure 4: Installing the sampling module into the TekConnect Probe Interface Module

NOTE. *To remove the sampling module, first loosen the hold-down screw; then use the ejector lever on the interface module to eject the sampling module.*

Installing the Semi-Rigid SMA Connector Cables

To provide a signal path between the sampling module and the TekConnect Probe Interface Module, perform the following tasks:

1. Connect your wrist strap to the antistatic connector on the front of the mainframe.
2. Use the two semi-rigid SMA cables (included with this product) to connect the TekConnect Probe Interface Module to the sampling module. (See Figure 5.) You may need to bend the SMA cables slightly to obtain proper alignment to mate the SMA connectors.

NOTE. Always use a calibrated torque wrench to install adapters, attenuators, cables, or power sensors in any setup. Torque all connections to 8 inch-pounds. For information on proper installation and torquing techniques, refer to your module user manual.

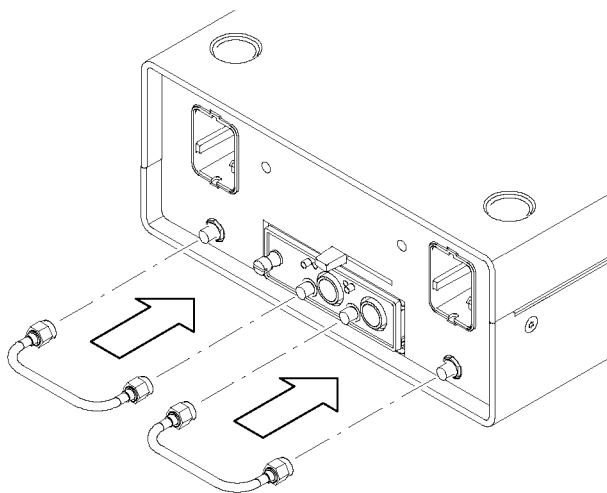


Figure 5: Connecting the sampling module



CAUTION. The semi-rigid SMA connector cables used on the 80A03 TekConnect Probe Interface Module are not compatible with the input connections of 80E01 and 80E06 sampling modules.

Do not attempt to force a connection between the semi-rigid connector cables on the TekConnect Probe Interface Module and these sampling modules. Use the proper adapter or damage to the module will occur. (See Table 3 on page 4.)

Installing the TekConnect Probe

The TekConnect probe features a spring-loaded latch that provides audible and tactile confirmation that a reliable connection has been made to the TekConnect Probe Interface Module.

NOTE. *It is not necessary to power off the mainframe when removing or installing a TekConnect probe.*

To connect a TekConnect probe to the TekConnect Probe Interface Module, perform the following tasks:

1. Slide the probe into the TekConnect receptacle on the TekConnect Probe Interface Module. The probe snaps into the TekConnect Probe Interface Module when fully engaged. (See Figure 6.)
2. To release the probe from the TekConnect Probe Interface Module, grasp the compensation box, press the latch button, and pull out on the probe.

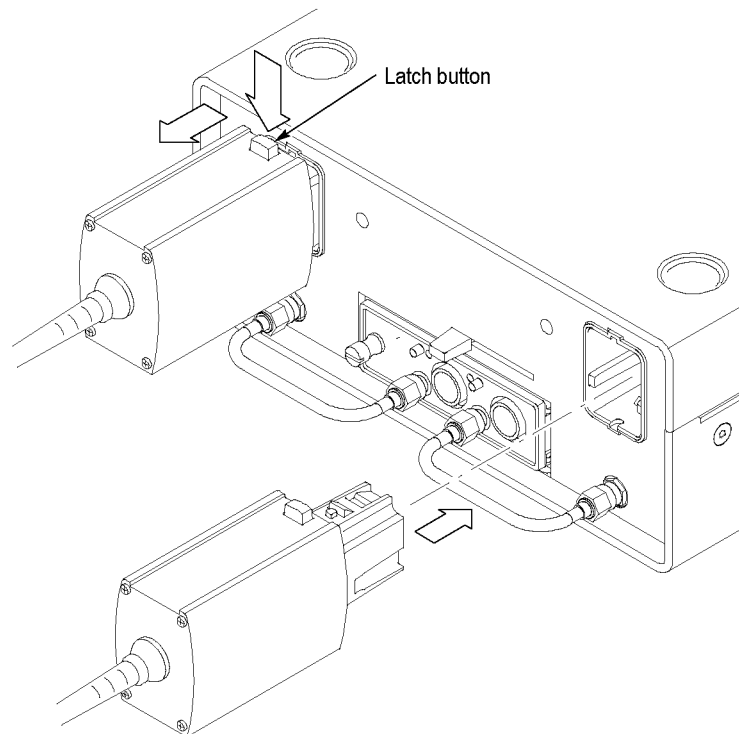


Figure 6: Installing TekConnect probes

NOTE. *Use the integral thumb screw on the probe (if equipped) to secure the probe to the Interface Module.*

Performing a Functional Check

To verify that the 80A03 TekConnect Probe Interface Module is functioning properly, perform the following procedure.

Refer to the following table for a list of recommended equipment.

Table 4: Recommended equipment for performing a functional check

Item description	Recommended example
Sampling oscilloscope or signal analyzer	Tektronix DSA8200, CSA8000 or TDS8000
Sampling module	Tektronix 80E02, 80E03, or 80E04
TekConnect probe	Tektronix P7000 Series
Probe tip adapter	Tektronix P7225, P7240: 015-0678-XX Tektronix P7260: 067-1456-XX Tektronix P7330, P7350: 067-0419-00 Tektronix P7513, P7516: 067-1821-XX
Semi-rigid SMA cables (2)	Tektronix part number 174-4857-XX
SMA cable	Tektronix part number 174-1427-00
50 Ω termination, SMA-type	Tektronix part number 015-1022-XX
Torque wrench	SMA 5/16, 8 in-lb

To verify the functionality of Channel A, perform the following tasks:

1. Initialize the system:
 - a. Power on the mainframe.
 - b. Wait for the boot up process to complete.
 - c. Press the front panel **Default Setup** button.
2. Connect the signal source:
 - a. On the mainframe, connect the SMA cable to the Internal Clock Output. (See Figure 7 on page 11.)
 - b. Connect the Probe Tip Adapter with 50 Ω termination to the other end of the SMA cable.
3. Set up the trigger system:
 - a. Set the mainframe trigger source to **Internal Clock**.
4. Connect the probe:
 - a. Attach the P7000 Series probe to the Channel A input of the 80A03 TekConnect Probe Interface Module.
 - b. Install the probe tip onto the probe tip adapter.

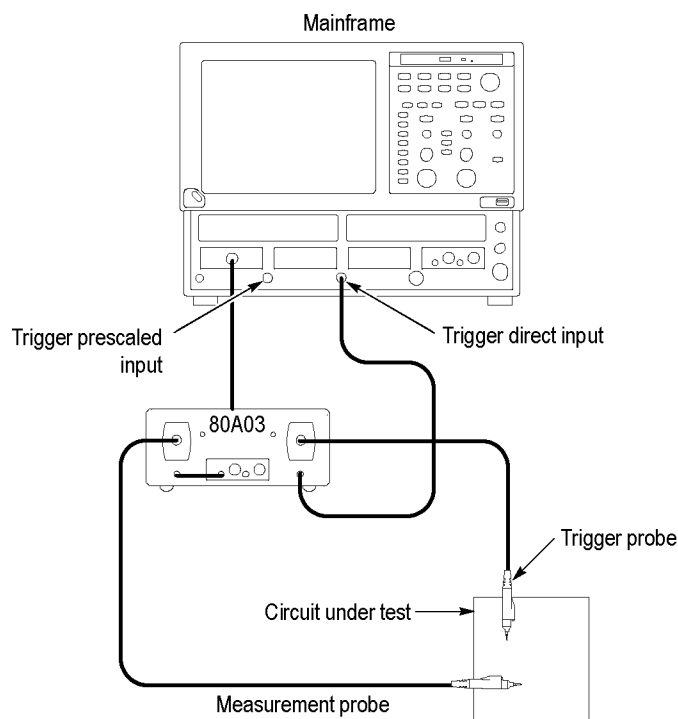


Figure 7: Equipment setup for functional check

5. Set up the channel for test:
 - a. On the mainframe, press the channel button to select the channel that is connected.

The Channel button lights, the sampling module LED lights, and the selected channel on the mainframe becomes active.
 - b. Turn the Vertical scale knob and set the sensitivity to display a square waveform of several cycles, similar to the one shown. (See Figure 7.)
 - c. Turn the Horizontal scale knob to indicate 2 ms/div.
6. Verify the channel operation:
 - a. Verify the LED on the TekConnect Probe Interface Module for the channel under test is Green.
 - b. Verify the probe model, serial number, scale, dynamic range, impedance, and other information on the mainframe by selecting the **Utilities > System Properties > Probes** menu for the channel under test.

NOTE. The mainframe displays the first six characters of the TekConnect probe model and truncates the remaining characters. For example, it will identify a P7350SMA probe as P7350S.

The impedance value displayed for P7330, P7350, P7350SMA, P7513, and P7516 probes is for single-ended configuration. The displayed value is one half the value listed on the probe label.

- c. On the mainframe, verify that the extender cable length is listed as 1 meter in the **Utilities > System Properties > Sampling Modules** menu.
- d. On the mainframe, verify that the signal displayed is a square wave of approximately 1 V_{p-p} with a 5 ms period.
- e. Adjust the offset and verify that the display signal moves vertically to the offset level.
- f. Adjust the vertical scale and verify that the displayed signal height changes.

To verify functionality of the TekConnect Probe Interface Module Channel B, perform the following tasks:

1. Connect the probe to Channel B instead of Channel A.
2. Repeat steps 5 through 6 above.

Functional Checks for Other Equipment

To verify that the mainframe, sampling module, or TekConnect probe is performing properly, run the calibration, compensation, or functional verification procedure recommended for the individual product. For detailed instructions, refer to the user documentation that accompanied these products.

Calibrating the TekConnect Probe Interface Module

The 80A03 TekConnect Probe Interface Module requires no internal calibration. However, after installing any sampling module, you should run a compensation procedure from your mainframe. This ensures that the entire test system meets warranted accuracy specifications with the TekConnect interface and probe attached. Refer to your sampling module, probe, and mainframe documentation for specific calibration procedures.

Nulling Offset Errors

Use the following procedure to minimize the probe offset when using the 80A03 TekConnect Probe Interface Module.



CAUTION. Always plug in the 80A03 Module and the 80E0x modules with the oscilloscope power off. Failure to do so may result in equipment damage.

Setup Connect the equipment in the following order:

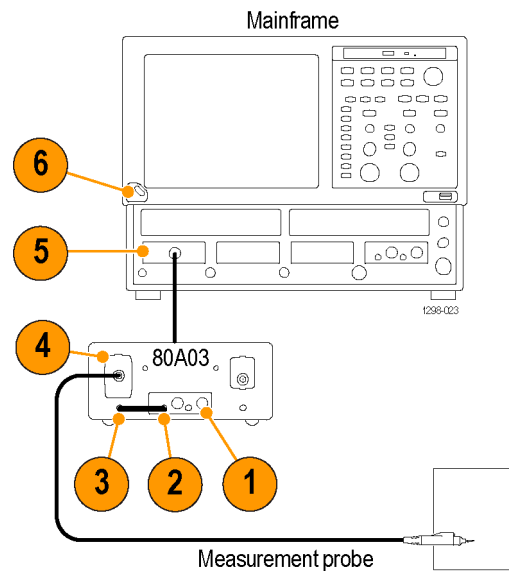


Figure 8: Setup for Nulling Offset Errors

1. Connect the 80E0x module to the 80A03 Probe Interface Module.
2. Choose a channel to use and connect the semi-rigid SMA cable to the output of that channel on the 80E0x module. Leave the 50 ohm termination connected to the output connector of the unused channel on the module.
3. Connect the other end of the semi-rigid SMA cable to the SMA input of the 80A03 Probe Interface Module.
4. Connect the probe to the input channel of the 80A03 Probe Interface Module.
5. Connect the 80A03 Probe Interface Module to the oscilloscope.
6. Turn on the oscilloscope and let the equipment warm up for 20 minutes.

Procedure

NOTE. This procedure must be performed with the probe set to the attenuation and mode, (if applicable), that you intend to take measurements with. The internal signal path changes with these settings and the stored probe offset values will not be accurate for other settings.

1. Set the probe attenuation and mode, if applicable, to the settings that you intend to use for your measurements.
2. Short the probe inputs together:
 - For single-ended probes/modes, connect the signal input to the probe ground
 - For differential probes/modes, connect both inputs together
 - For differential probes with CM mode (common-mode) selected, connect both signal inputs together and to the probe ground
3. From the Menu Bar, select Utilities>Compensation.

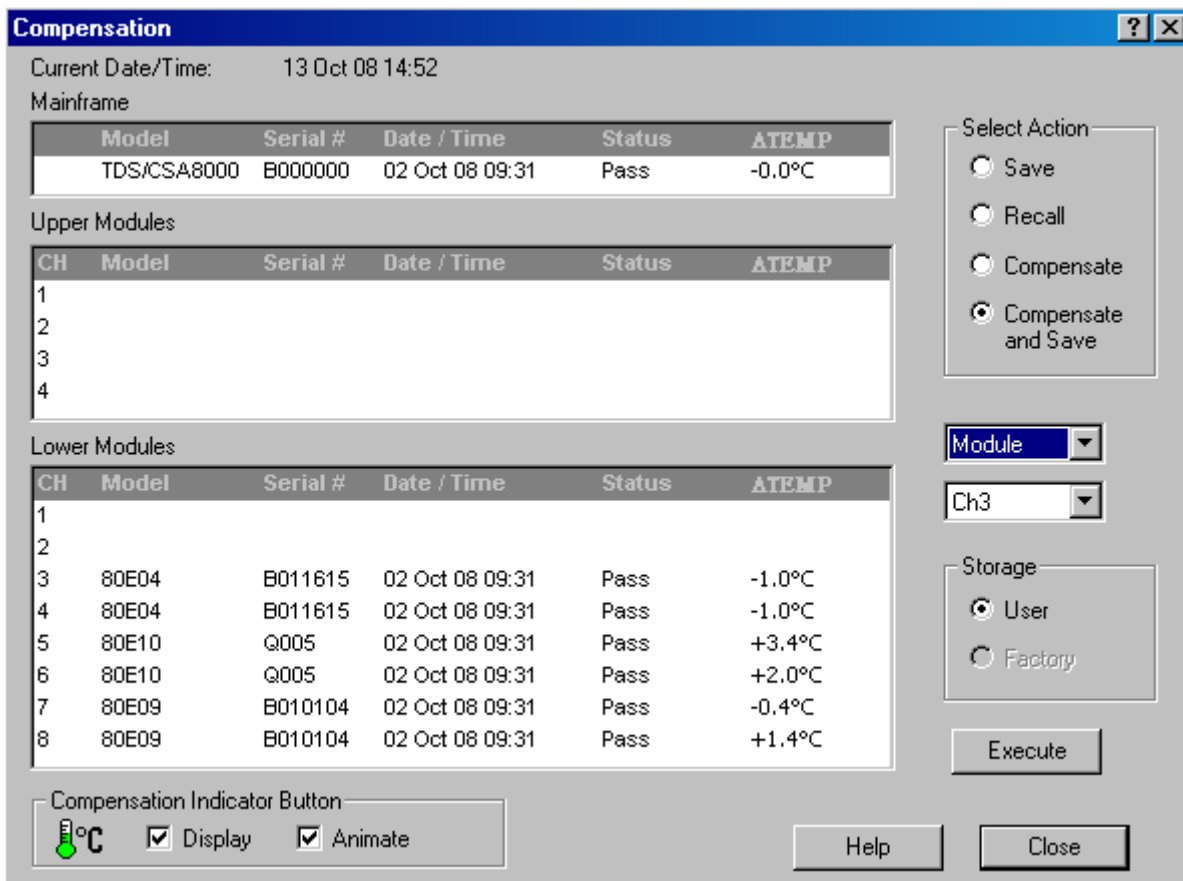


Figure 9: Compensation screen

4. In the Compensation screen:
 - a. Select **Compensate and Save** in the Select Action box.
 - b. Select **Module** from the drop-down menu beneath the Select Action box.
 - c. Select the oscilloscope channel number that you are using from the drop-down menu beneath the Select Action box.
5. Click Execute. A message will appear that instructs you to disconnect all signals and probes. Disregard the message; leave the probe connected and click OK.
6. When Compensation passes, click Close.
7. To check the probe offset, set the oscilloscope to Trigger on Internal Clock, Averaging on, and check that the probe measures within 2 mV of 0 V.

Operating Basics

This section contains information you need to operate the 80A03 TekConnect Probe Interface Module.

Understanding the Controls

The 80A03 TekConnect Probe Interface Module front panel has one multi-color LED for each channel. During power on and normal operation, the LEDs report red, green, or off as explained below. The TekConnect Probe Interface Module contains no additional user controls.

- **Red.** Indicates that an incompatible probe is attached to the TekConnect input. (See page 2, *Compatible Probes*.)
- **Green.** Indicates that a supported probe is attached to the TekConnect input.
- **Off.** Indicates that the probe interface is disconnected from the mainframe (no power) or that no probe is attached to the TekConnect input.

Power On Status

The following describes typical TekConnect Probe Interface Module operation when you power on the mainframe with the probe interface installed:

- Both LEDs flicker green, then red, then green, and turn off. This indicates that proper power is applied and initialization has occurred.
- The LEDs do not light. This indicates that the probe interface is not receiving power and may be disconnected from the mainframe.

Probe Status

The following describes typical TekConnect Probe Interface Module operation when you attach a TekConnect probe:

- The LED turns green, indicating that a valid probe is attached. If you pressed the mainframe channel button, the display also becomes active for the channel selected.
- The LED turns red, indicating that an invalid or unrecognized probe is attached.
- The LED remains off, indicating that no probe is detected.

Triggering the Mainframe

Use the following procedures to set up the 80A03 TekConnect Probe Interface Module to trigger and view signals on your mainframe.

Trigger Bandwidth Considerations

The TekConnect Probe Interface Module supports many models of TekConnect probes. Since the trigger bandwidth limit is determined by the probe bandwidth and mainframe trigger capability, some probes may be more suitable than others to your measurement needs.

Your mainframe provides two trigger inputs you can use with external probes, direct or prescaled. When selecting an input, you should consider the frequency of the signal being measured. The bandwidth specification of the measurement probe must also meet or exceed that of the signal being measured.

In addition, consider the following factors when setting up equipment to take measurements:

- The mainframe trigger sensitivity relative to the amplitude of the signal being measured.
- The probe scale factor.
- The attenuation factor of the power divider used, if you choose to view signals on the mainframe following the trigger.

NOTE. Refer to your mainframe documentation for direct and prescaled trigger specifications.

Recommended Equipment

Refer to the following table for a list of equipment you need to implement the triggering setups.

Table 5: Recommended equipment for triggering setups

To trigger only	To trigger and view a signal
Tektronix DSA8200 and CSA8000 or TDS8000 Series instrument	Tektronix DSA8200, CSA8000, CSA8000B, CSA8200, TDS8000, TDS8000B, or TDS8200 instrument
Tektronix 80A03 TekConnect Probe Interface Module	Tektronix 80A03 TekConnect Probe Interface Module
Tektronix 80E02, 80E03, or 80E04 electrical sampling module	Tektronix 80E02, 80E03, or 80E04 electrical sampling module
Compatible TekConnect probe. (See page 2, <i>Compatible Probes.</i>)	Compatible TekConnect probe. (See page 2, <i>Compatible Probes.</i>)
(1) SMA cable, 0.5 m ¹	(3) SMA cables, 0.5 m ¹
Torque wrench, SMA 5/16, 8 in-lb	Torque wrench, SMA 5/16, 8 in-lb
	(1) 6 dB power divider ²

¹ Tektronix part number 174-1427-00.

² Tektronix part number 015-0565-00.

Triggering the Mainframe

To set up the TekConnect Probe Interface Module to trigger your mainframe, do the following:

1. Remove the semi-rigid cable that connects the CH B TekConnect Probe Interface Module to the sampling module. (See Figure 10.)

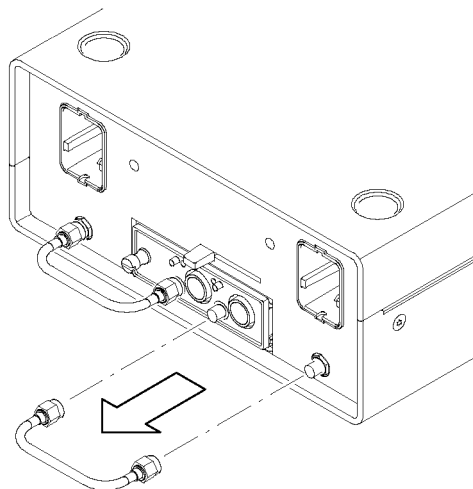


Figure 10: Removing the semi-rigid cable

2. Use a 0.5 m SMA cable to connect the CH B TekConnect Probe Interface Module to the mainframe trigger input (Trigger Direct or Trigger Prescaled). (See Figure 2 on page 5.)
3. Attach the TekConnect measurement probe to CH A on the TekConnect Probe Interface Module. (See Figure 2.)
4. Attach a TekConnect trigger probe to CH B on the TekConnect Probe Interface Module. (See Figure 2.)

NOTE. Do not connect any other accessory to the mainframe Trigger Probe power port, or use the disconnected sampling module channel for any other purpose while using this setup. Doing so may cause confusion that can lead to measurement errors.

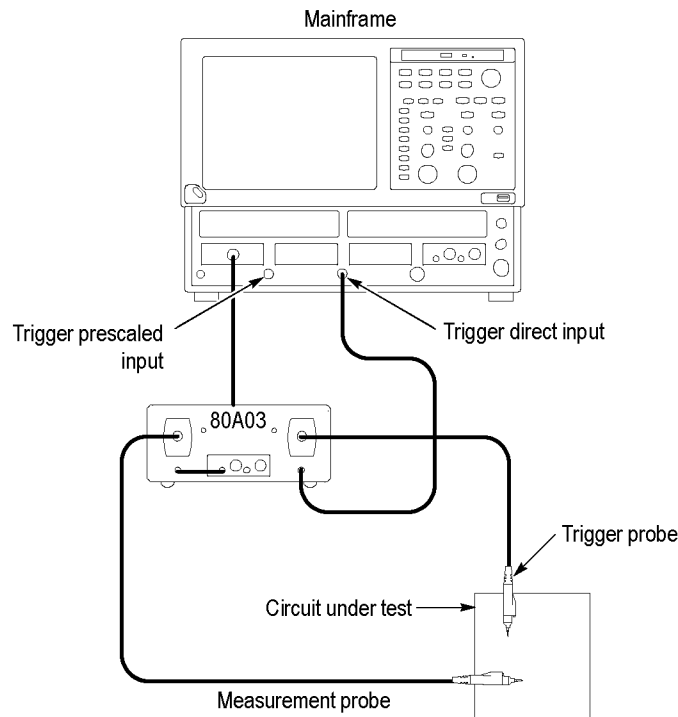


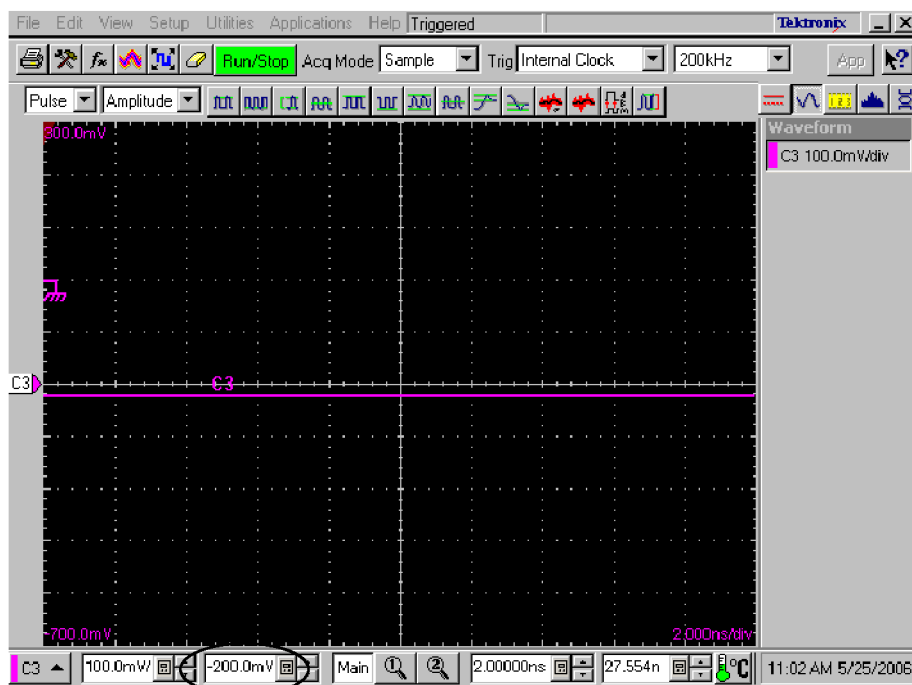
Figure 11: Setup for triggering the mainframe using the 80A03 TekConnect Probe Interface Module

The mainframe responds to the CH A probe as though it were connected to the vertical sampling channel:

- The Trigger probe is serviced and controlled by the mainframe CH B vertical channel controls.
- The probe scale is not reflected in any trigger level settings assigned by the trigger setup menu.
- The offset control for the vertical channel adjusts the probe offset (if equipped).
- The sampling module offset control is disabled.
- You can view probe characteristics in the system properties menu for the measurement channel.

If you use the mainframe Trigger Direct input, it is recommended that you set the trigger level to 0 volts and control the trigger level by directly assigning the vertical offset for the probe at the probe tip. Because the offset control in the probe affects the signal level at its output, this method of vertical offset adjustment provides calibrated trigger level operation.

To operate the offset control as a trigger level adjustment, rotate the offset adjust on CH B. This will control the offset at the probe tip so you can read the trigger level directly from the offset indicator on the mainframe. (See Figure 12.)



Read trigger level from vertical offset value

Figure 12: Trigger offset indicator

NOTE. Rotation of the control knob for this configuration is reversed. Clockwise rotation introduces a negative offset adjustment, which provides a negative trigger level. Counterclockwise rotation introduces a positive offset and a positive trigger level.

Triggering and Viewing Signals on the Mainframe

To set up the TekConnect Probe Interface Module to trigger your mainframe, do the following:

1. Remove the semi-rigid cable that connects the CH B TekConnect Probe Interface Module to the sampling module.
2. Use a 0.5 m SMA cable to connect the 6 dB (2X) power divider to the disconnected CH B SMA connector on the TekConnect Probe Interface Module. (See Figure 13.)
3. Use a 0.5 m SMA cable to connect the disconnected port on the sampling module to one side of the 6 dB (2X) power divider. (See Figure 13.)
4. Use a 0.5 m SMA cable to connect the other side of the power divider to the mainframe trigger input (Trigger Direct or Trigger Prescaled).
5. Attach a TekConnect trigger probe to CH B on the TekConnect Probe Interface Module. (See Figure 13.)

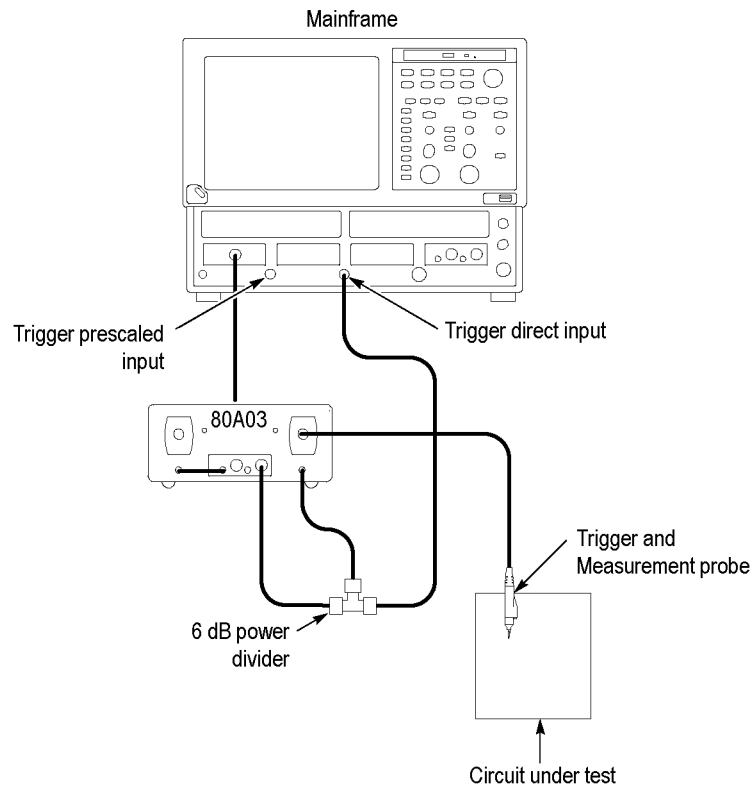


Figure 13: Setup for triggering the mainframe and viewing signals using the 80A03 TekConnect Probe Interface Module

NOTE. Do not connect any other accessory to the mainframe Trigger Probe power port. Doing so may cause confusion that can lead to measurement errors.

If you use the mainframe Trigger Direct input, it is recommended that you set the trigger level to 0 volts.

With this configuration, you can control the trigger level by directly assigning the vertical offset for the CH B probe at the probe tip. Because the offset control in the probe affects the signal level at its output, this method of vertical offset adjustment provides calibrated trigger level operation.

To operate the offset control as a trigger level adjustment, rotate the offset adjustment on the sampling module channel that has the probe output disconnected. This will control the offset at the probe tip and you can read the trigger level directly from the offset indicator on the mainframe. (See Figure 12 on page 21.)

NOTE. *The 2X power divider used in this setup introduces a vertical scale error factor of 2.*

Sampling Module Incompatibility

Due to SMA cable incompatibility, you cannot directly use 80E01 or 80E06 sampling modules with the 80A03 TekConnect Probe Interface Module. (See page 3, *Compatible Modules*.)

Reference

This section contains information you may need to take measurements or to avoid damaging the 80A03 TekConnect Probe Interface Module.

Avoiding Damage from Overvoltage

Know your signal source. If it is capable of delivering overvoltages, it is safer to not depend on the signal source settings for protection, but instead use an external attenuator that protects the input from the worst-case conditions. For example, for a 20 V maximum source connected to a 3 V maximum sampling module, use a 10X attenuator. Where possible, connect your cables to the signal source first, and to the sampling module second.

You can use a Tektronix 80A02 EOS/ESD Protection Module to protect the sensitive input stage of sampling module from damage due to electro-overstress (EOS) and electro-static discharge (ESD) from the device under test (DUT). Use the 80A02 in applications such as TDR circuit-board testing and cable testing where large static charges can be stored on the device under test.

Install the 80A02 EOS/ESD Protection Module between the device under test (DUT) and the sampling module. When used with the P8018 TDR probe, the 80A02 achieves static protection using normal probing procedures — no intentional user intervention (such as stepping on a foot switch) is required. This eliminates instrument damage due to human error in coordinating probing with control switching to achieve static protection.

Avoiding Damage from Electrostatic Discharge

Circuitry in the sampling module is very susceptible to damage from electrostatic discharge or from overdrive signals. Be sure to only operate the sampling module in a static-controlled environment. Be sure to discharge to ground any electrostatic charge that may be present on the center and outer connectors of cables before attaching the cable to the sampling module.



CAUTION. *To prevent damage from electrostatic discharge, install 50 Ω terminations (Tektronix part number 015-1022-xx) on the sampling-module connectors before removing the sampling modules from a main instrument (mainframe) or when it is not in use. Store the sampling module in a static-free container, such as the shipping container. Whenever you move the sampling module from one instrument to another, use a static-free container to transport the sampling module.*

To prevent damage to the sampling module, discharge to ground any electrostatic charge that may be present on the center and outer conductors of cables before attaching the cable to the sampling module.

To prevent damage to the sampling module, do not create an ESD antenna by leaving cables attached to the sampling-module input with the other end of the cable open.

To prevent damage to the sampling module or instrument, never install or remove a sampling module when the instrument is powered-on.

Always use a wrist strap (provided with your instrument) when handling sampling modules or making signal connections. Wear anti-static clothing and work in a static-free workstation when using sampling modules.

Specifications

This section lists the electrical, environmental, and physical characteristics of the 80A03 TekConnect Probe Interface Module. Specifications listed in this section are guaranteed unless labeled "typical". Typical specifications are provided for your convenience and are not guaranteed.

The electrical characteristics listed in the table below are valid when the 80A03 TekConnect Probe Interface Module operates within the environmental conditions listed below.

Table 6: Electrical characteristics

Characteristic	Description
Output impedance, nominal	50 Ω ¹
Frequency range ² , typical	DC to >18 GHz
Insertion loss ³ , typical	DC to 10 GHz: <0.5 dB DC to 18 GHz: <0.7 dB
Return loss ³ , typical	DC to 5 GHz: >22 dB DC to 10 GHz: >17 dB DC to 18 GHz: >12 dB
Electrical delay ³ , nominal	0.90 ns
Extender delay, nominal	5 μ s

¹ Provided by the sampling module input.

² TekConnect adapter

³ TekConnect adapter to electrical sampling module. Does not include probe or sampling module extender.

Table 7: Environmental characteristics

Characteristic	Description
Temperature range	
Operating	10 °C to 40 °C (50 °F to 104 °F)
Nonoperating	-22 °C to +60 °C (-7.6 °F to 140 °F)
Humidity	
Operating	20 to 80% RH, noncondensing
Nonoperating	5 to 90% RH, noncondensing
Altitude	
Operating	3,000 m (9,843 ft)
Nonoperating	12,190 m (40,000 ft)
Mechanical shock	50 g half-sine: 11 ms

Table 8: Physical characteristics

Characteristic	Description
Weight ¹	2.04 kg (4.5 lbs)
Dimensions	Height: 110 mm (4.250 in) Width: 70 mm (2.750 in) Depth: 42 mm (1.625 in)
Cable length, nominal	1 m (3.28 ft)

¹ Does not include accessories and shipping container.

The graphs of insertion loss and return loss are as follows:

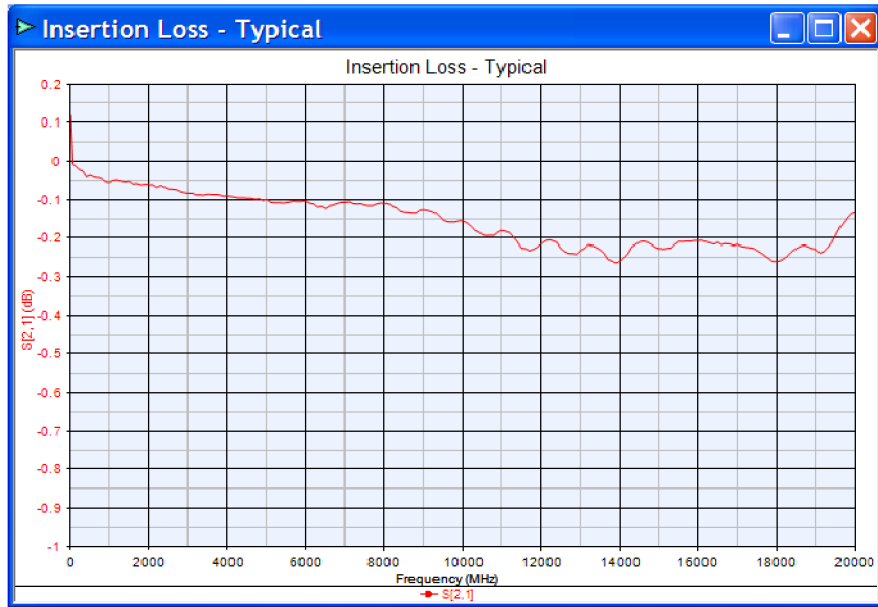


Figure 14: Insertion loss

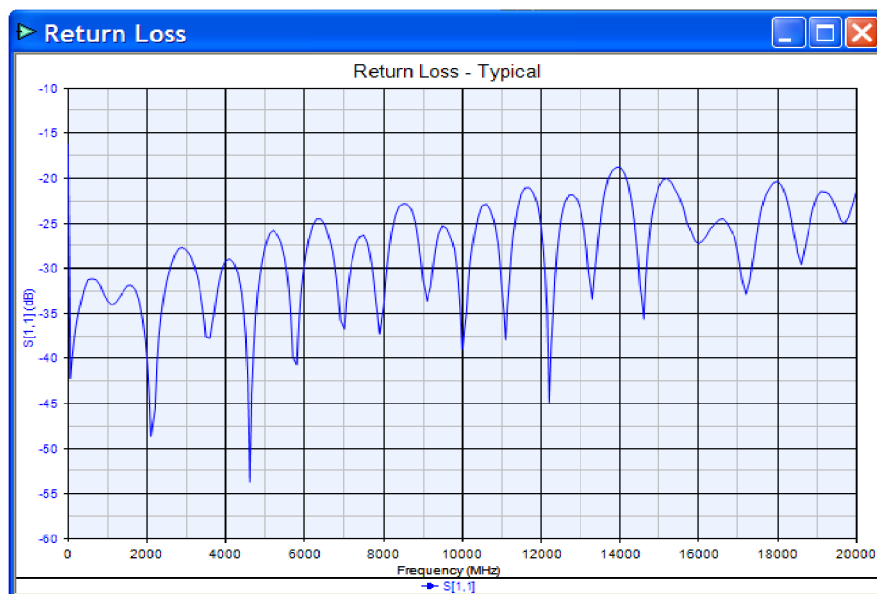


Figure 15: Return loss

Maintenance

This section contains information you can use to clean and maintain your equipment.

Inspecting and Cleaning

Remove accumulated loose dust from the TekConnect Probe Interface Module and sampling module with a soft cloth or brush. Remaining dirt may be removed with a soft cloth dampened with a mild detergent and water solution, or use isopropyl alcohol.

Do not immerse any equipment in cleaning solutions or use abrasive cleaners.



CAUTION. *To prevent damage, avoid using cleaning materials that contain acetone, benzene, toluene, xylene, or similar solvents.*

Troubleshooting

If you encounter problems installing or operating the TekConnect Probe Interface Module, try the following troubleshooting procedures.

Power On Indicators

To verify that the interface module and microcontroller are functioning properly, perform the following steps:

1. Attach a valid probe to the TekConnect input:

The LED turns green if the interface module is receiving power and the microcontroller is functioning normally.

2. Attach an invalid probe to the TekConnect input:

The LED turns red if the interface module is receiving power, the microcontroller is functioning normally, and a probe is being sensed.

No Signal Detected

If the LEDs respond normally at power on, but no signal is detected by the mainframe (probe connected), check the sampling module and semi-rigid cable connections.

Product Requires Service

The following conditions indicate an internal failure:

- No LED activity at power on
- LEDs are inactive on a single channel
- LED response is inconsistent when connecting the same probe alternately to both channels

Replacing Parts

Refer to the *Replaceable Parts* section for a list of customer replacement parts. (See page 33, *Replaceable Parts*.)

Repackaging for Shipment

If the original packaging is unfit for use or not available, use the following packaging guidelines:

1. Use a corrugated cardboard shipping carton having inside dimensions at least one inch greater than the probe dimensions. The box should have a carton test strength of at least 200 pounds.
2. Put the probe into an antistatic bag or wrap to protect it from dampness.
3. Place the probe into the box and stabilize it with light packing material.
4. Seal the carton with shipping tape.

Replaceable Parts

This section contains a list of the replaceable parts for the 80A03 TekConnect Probe Interface Module. Use this list to identify and order replacement parts.

Parts Ordering Information

Replacement parts are available through your local Tektronix field office or representative.

Changes to Tektronix products are sometimes made to accommodate improved components as they become available and to give you the benefit of the latest improvements. Therefore, when ordering parts, it is important to include the following information in your order:

- Part number
- Instrument type or model number
- Instrument serial number
- Instrument modification number, if applicable

If you order a part that has been replaced with a different or improved part, your local Tektronix field office or representative will contact you concerning any change in part number.

Using the Replaceable Parts List

This section contains a list of the mechanical and or electrical components that are replaceable for the 80A03 TekConnect Probe Interface Module. Use this list to identify and order replacement parts. The following table describes each column in the parts list.

Table 9: Columns in replaceable parts table

Column	Column name	Description
1	Figure & index number	Items in this section are referenced by figure and index numbers to the exploded view illustrations that follow.
2	Tektronix part number	Use this part number when ordering replacement parts from Tektronix.
3 and 4	Serial number	Column three indicates the serial number at which the part was first effective. Column four indicates the serial number at which the part was discontinued. No entry indicates the part is good for all serial numbers.
5	Qty	This indicates the quantity of parts used.
6	Name & description	An item name is separated from the description by a colon (:). Because of space limitations, an item name may sometimes appear as incomplete. Use the U.S. Federal Catalog handbook H6-1 for further item name identification.

Abbreviations Abbreviations conform to American National Standard ANSI Y1.1-1972.

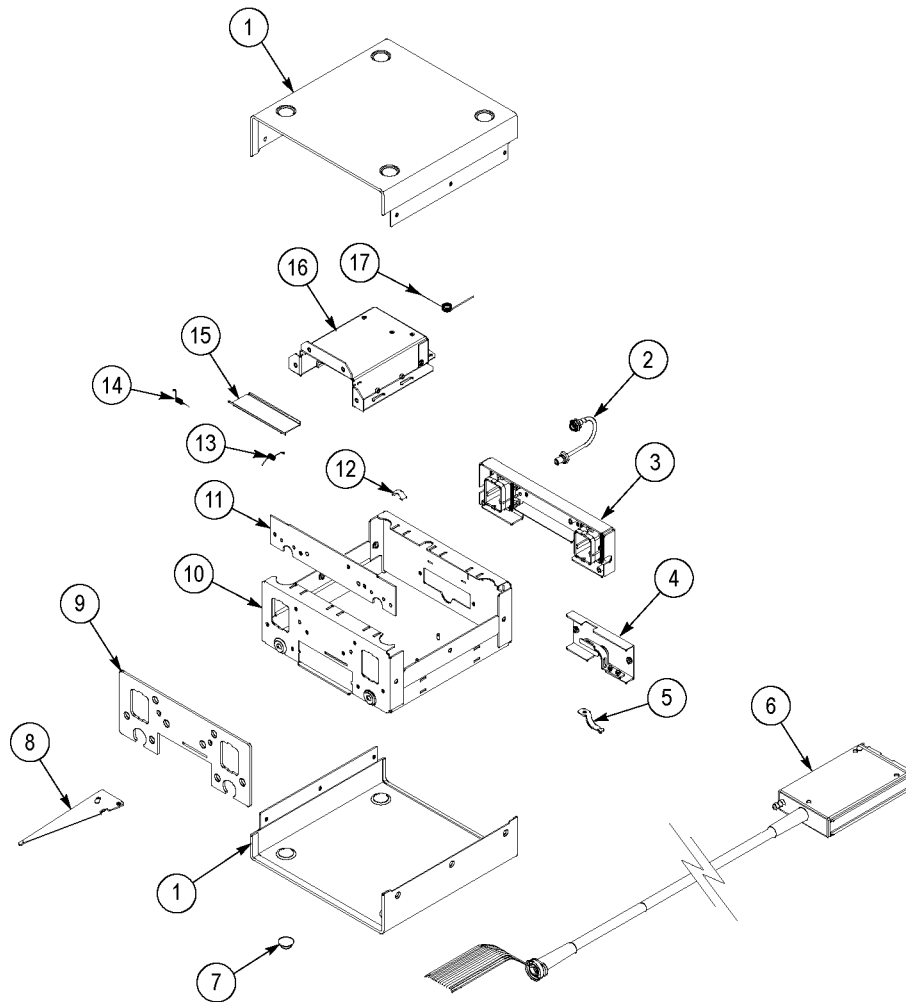


Figure 16: 80A03 replaceable parts

Table 10: Replaceable parts

Fig. & index number	Tektronix part number	Serial no. effective	Serial no. discont'd	Qty	Name & description
16-1	200-4827-00			1	COVER; EXTERIOR,AL;GOLDEN GATE,SAFETY CONTROLLED
-2	174-4856-00			2	CA,ASSY;SP,ELEC,SEMI-RIGID COAX, 0.141 OD,PLATED
-3	407-4954-01			1	BRACKET ASSY,TEKCONNECT;ACQUISITION,AL MODULAR KIT; RECEPTACLE; PROBE ASSEMBLY, LATCHING, SAFETY CONTROLLED
	426-2625-00			1	
-4	386-7392-00			1	PLATE,STRAIN RELIEF; EXTENDER CABLE
-5	343-1684-00			1	CLAMP,CABLE RETENTION
-6	174-4855-00			1	CA ASSY; SP, ELEC, 28-26 AWG, 6 COAX WIRES,39 INCH LONG
-7	348-0430-00			1	BUMPER,PLASTIC; POLYURETHANE,BLACK
-8	105-1132-00			1	LEVER,EJECT; 0.048 THK SST,ELECTRICAL HEAD
-9	386-7393-01			1	PLATE,MOUNTING; AL
-10	441-2328-01			1	CHASSIS ASSEMBLY, MAIN
-11	671-5711-50			1	CIRCUIT BD ASSY, FOR SERVICE ONLY
-12	131-6417-00			1	CONTACT,ELEC; GROUNDING,0.600 L X 0.250 W X 0.220 D,ELECTROLESS NICKEL PLATE
-13	214-4892-00			1	SPRING,TORSION; 0.126 OD,0.094 ID,DOOR,LEFT,0.018 DIA,MUSIC WIRE
-14	214-4892-00			1	SPRING,TORSION; 0.126 OD,0.094 ID,DOOR,LEFT,0.018 DIA,MUSIC WIRE
-15	200-4560-00			1	COVER; ELECTRICAL SLOT,0.031
-16	441-2326-00			1	CHASSIS ASSY; MODULE
-17	214-4891-00			1	SPRING,TORSION; 0.304 X 0.256 X 1.152,EJECT,0.024 DIA,MUSIC WIRE
STANDARD ACCESSORIES					
Not shown	174-4857-01			1	CA ASSY;SP, ELEC,SEMI-RIGID COAX, 0.141 OD,PLATED
Not shown	071-1298-XX			1	MANUAL,TECH:INSTRUCTION,80A03