

# Operating Manual



## Spectrum Analyzer

**R&S® FSP3**

1164.4391.03

**R&S® FSP30**

1164.4391.30/39

**R&S® FSP7**

1164.4391.07

**R&S® FSP31**

1164.4391.31

**R&S® FSP13**

1164.4391.13

**R&S® FSP40**

1164.4391.40

### **Volume 2**

*This Operating Manual consists of 2 volumes*

Printed in the Federal  
Republic of Germany

  
**ROHDE & SCHWARZ**  
Test and Measurement Division

Dear Customer,

throughout this operating manual, the abbreviation FSP is used for your Spectrum Analyzer R&S FSP.

R&S® is a registered trademark of Rohde & Schwarz GmbH & Co. KG

Trade names are trademarks of the owners

## Tabbed Divider Overview

### Volume 1

#### Data Sheet

Safety Instructions  
Certificate of Quality  
EU Certificate of Conformity  
List of R&S Representatives

#### Manuals for Spectrum Analyzer FSP

##### Tabbed Divider

1	Chapter 1:	Putting into Operation
2	Chapter 2:	Getting Started
3	Chapter 3:	Operation
4	Chapter 4:	Functional Description
10	Chapter 10:	Index

### Volume 2

#### Data Sheet

Safety Instructions

#### Manuals for Spectrum Analyzer FSP

##### Tabbed Divider

5	Chapter 5:	Remote Control – Basics
6	Chapter 6:	Remote Control – Commands
7	Chapter 7:	Remote Control – Program Examples
8	Chapter 8:	Maintenance and Hardware Interfaces
9	Chapter 9:	Error Messages
10	Chapter 10:	Index





**Before putting the product into operation for the first time, make sure to read the following**



# Safety Instructions

Rohde & Schwarz makes every effort to keep the safety standard of its products up to date and to offer its customers the highest possible degree of safety. Our products and the auxiliary equipment required for them are designed and tested in accordance with the relevant safety standards. Compliance with these standards is continuously monitored by our quality assurance system. This product has been designed and tested in accordance with the EC Certificate of Conformity and has left the manufacturer's plant in a condition fully complying with safety standards. To maintain this condition and to ensure safe operation, observe all instructions and warnings provided in this manual. If you have any questions regarding these safety instructions, Rohde & Schwarz will be happy to answer them.

Furthermore, it is your responsibility to use the product in an appropriate manner. This product is designed for use solely in industrial and laboratory environments or in the field and must not be used in any way that may cause personal injury or property damage. You are responsible if the product is used for an intention other than its designated purpose or in disregard of the manufacturer's instructions. The manufacturer shall assume no responsibility for such use of the product.

The product is used for its designated purpose if it is used in accordance with its operating manual and within its performance limits (see data sheet, documentation, the following safety instructions). Using the products requires technical skills and knowledge of English. It is therefore essential that the products be used exclusively by skilled and specialized staff or thoroughly trained personnel with the required skills. If personal safety gear is required for using Rohde & Schwarz products, this will be indicated at the appropriate place in the product documentation.

## Symbols and safety labels

Observe operating instructions	Weight indication for units >18 kg	Danger of electric shock	Warning! Hot surface	PE terminal	Ground	Ground terminal	Attention! Electrostatic sensitive devices

I C					
Supply voltage ON/OFF	Standby indication	Direct current (DC)	Alternating current (AC)	Direct/alternating current (DC/AC)	Device fully protected by double/reinforced insulation

## Safety Instructions

Observing the safety instructions will help prevent personal injury or damage of any kind caused by dangerous situations. Therefore, carefully read through and adhere to the following safety instructions before putting the product into operation. It is also absolutely essential to observe the additional safety instructions on personal safety that appear in other parts of the documentation. In these safety instructions, the word "product" refers to all merchandise sold and distributed by Rohde & Schwarz, including instruments, systems and all accessories.

### Tags and their meaning

DANGER	This tag indicates a safety hazard with a high potential of risk for the user that can result in death or serious injuries.
WARNING	This tag indicates a safety hazard with a medium potential of risk for the user that can result in death or serious injuries.
CAUTION	This tag indicates a safety hazard with a low potential of risk for the user that can result in slight or minor injuries.
ATTENTION	This tag indicates the possibility of incorrect use that can cause damage to the product.
NOTE	This tag indicates a situation where the user should pay special attention to operating the product but which does not lead to damage.

### Basic safety instructions

1. The product may be operated only under the operating conditions and in the positions specified by the manufacturer. Its ventilation must not be obstructed during operation. Unless otherwise specified, the following requirements apply to Rohde & Schwarz products: IP protection 2X, pollution severity 2, overvoltage category 2, use only in enclosed spaces, max. operation altitude max. 2000 m.
2. Applicable local or national safety regulations and rules for the prevention of accidents must be observed in all work performed. The product may be opened only by authorized, specially trained personnel. Prior to performing any work on the product or opening the product, the instrument must be disconnected from the supply network. Any adjustments, replacements of parts, maintenance or repair must be carried out only by technical personnel authorized by Rohde & Schwarz. Only original parts may be used for replacing parts relevant to safety (e.g. power switches, power transformers, fuses). A safety test must always be performed after parts relevant to safety have been replaced
3. As with all industrially manufactured goods, the use of substances that induce an allergic reaction (allergens) such as aluminum cannot be generally excluded. If you develop an allergic reaction (such as a skin rash, frequent sneezing, red eyes or respiratory difficulties), consult a physician immediately to determine the cause.
4. Depending on the function, certain products such as RF radio equipment can produce an elevated level of electromagnetic radiation. Considering that unborn life requires increased protection, pregnant women should be protected by appropriate measures. Persons with pacemakers may also be endangered by electromagnetic radiation. The employer is required to assess workplaces where there is a special risk of exposure to radiation and, if necessary, take measures to avert the danger.

## Safety Instructions

5. Operating the products requires special training and intense concentration. Disabled persons should not use the products unless it is made certain that their disability has no adverse effects while they are operating the products.
6. Prior to switching on the product, it must be ensured that the nominal voltage setting on the product matches the nominal voltage of the AC supply network. If a different voltage is to be set, the power fuse of the product may have to be changed accordingly.
7. In the case of products of safety class I with movable power cord and connector, operation is permitted only on sockets with earthing contact and protective earth connection.
8. Intentionally breaking the protective earth connection either in the feed line or in the product itself is not permitted. Doing so can result in the danger of an electric shock from the product. If extension cords or connector strips are implemented, they must be checked on a regular basis to ensure that they are safe to use.
9. If the product has no power switch for disconnection from the AC supply, the plug of the connecting cable is regarded as the disconnecting device. In such cases, it must be ensured that the power plug is easily reachable and accessible at all times (length of connecting cable approx. 2 m). Functional or electronic switches are not suitable for providing disconnection from the AC supply. If products without power switches are integrated in racks or systems, a disconnecting device must be provided at the system level.
10. Never use the product if the power cable is damaged. By taking appropriate safety measures and carefully laying the power cable, ensure that the cable cannot be damaged and that no one can be hurt by e.g. tripping over the cable or suffering an electric shock.
11. The product may be operated only from TN/TT supply networks fused with max. 16 A.
12. Do not insert the plug into sockets that are dusty or dirty. Insert the plug firmly and all the way into the socket. Otherwise this can result in sparks, fire and/or injuries.
13. Do not overload any sockets, extension cords or connector strips; doing so can cause fire or electric shocks.
14. For measurements in circuits with voltages  $V_{rms} > 30\text{ V}$ , suitable measures (e.g. appropriate measuring equipment, fusing, current limiting, electrical separation, insulation) should be taken to avoid any hazards.
15. Ensure that the connections with information technology equipment comply with IEC950/EN60950.
16. Never remove the cover or part of the housing while you are operating the product. This will expose circuits and components and can lead to injuries, fire or damage to the product.
17. If a product is to be permanently installed, the connection between the PE terminal on site and the product's PE conductor must be made first before any other connection is made. The product may be installed and connected only by a skilled electrician.
18. For permanently installed equipment without built-in fuses, circuit breakers or similar protective devices, the supply circuit must be fused in such a way that suitable protection is provided for users and products.
19. Do not insert any objects into the openings in the housing that are not designed for this purpose. Never pour any liquids onto or into the housing. This can cause short circuits inside the product and/or electric shocks, fire or injuries.
20. Use suitable overvoltage protection to ensure that no overvoltage (such as that caused by a thunderstorm) can reach the product. Otherwise the operating personnel will be endangered by electric shocks.

## Safety Instructions

21. Rohde & Schwarz products are not protected against penetration of water, unless otherwise specified (see also safety instruction 1.). If this is not taken into account, there exists the danger of electric shock or damage to the product, which can also lead to personal injury.
22. Never use the product under conditions in which condensation has formed or can form in or on the product, e.g. if the product was moved from a cold to a warm environment.
23. Do not close any slots or openings on the product, since they are necessary for ventilation and prevent the product from overheating. Do not place the product on soft surfaces such as sofas or rugs or inside a closed housing, unless this is well ventilated.
24. Do not place the product on heat-generating devices such as radiators or fan heaters. The temperature of the environment must not exceed the maximum temperature specified in the data sheet.
25. Batteries and storage batteries must not be exposed to high temperatures or fire. Keep batteries and storage batteries away from children. If batteries or storage batteries are improperly replaced, this can cause an explosion (warning: lithium cells). Replace the battery or storage battery only with the matching Rohde & Schwarz type (see spare parts list). Batteries and storage batteries are hazardous waste. Dispose of them only in specially marked containers. Observe local regulations regarding waste disposal. Do not short-circuit batteries or storage batteries.
26. Please be aware that in the event of a fire, toxic gases that may be hazardous to your health may escape from the product.
27. Please be aware of the weight of the product. Be careful when moving it; otherwise you may injure your back or other parts of your body.
28. Do not place the product on surfaces, vehicles, cabinets or tables that for reasons of weight or stability are unsuitable for this purpose. Always follow the manufacturer's installation instructions when installing the product and fastening it to objects or structures (e.g. walls and shelves).
29. If you use the product in a vehicle, it is the sole responsibility of the driver to drive the vehicle safely. Adequately secure the product in the vehicle to prevent injuries or other damage in the event of an accident. Never use the product in a moving vehicle if doing so could distract the driver of the vehicle. The driver is always responsible for the safety of the vehicle; the manufacturer assumes no responsibility for accidents or collisions.
30. If a laser product (e.g. a CD/DVD drive) is integrated in a Rohde & Schwarz product, do not use any other settings or functions than those described in the documentation. Otherwise this may be hazardous to your health, since the laser beam can cause irreversible damage to your eyes. Never try to take such products apart, and never look into the laser beam.





**Por favor lea imprescindiblemente antes de la primera puesta en funcionamiento las siguientes informaciones de seguridad**



## Informaciones de seguridad

Es el principio de Rohde&Schwarz de tener a sus productos siempre al día con los standards de seguridad y de ofrecer a sus clientes el máximo grado de seguridad. Nuestros productos y todos los equipos adicionales son siempre fabricados y examinados según las normas de seguridad vigentes. Nuestra sección de gestión de la seguridad de calidad controla constantemente que sean cumplidas estas normas. Este producto ha sido fabricado y examinado según el comprobante de conformidad adjunto según las normas de la CE y ha salido de nuestra planta en estado impecable según los standards técnicos de seguridad. Para poder preservar este estado y garantizar un funcionamiento libre de peligros, deberá el usuario atenerse a todas las informaciones, informaciones de seguridad y notas de alerta. Rohde&Schwarz está siempre a su disposición en caso de que tengan preguntas referentes a estas informaciones de seguridad.

Además queda en la responsabilidad del usuario utilizar el producto en la forma debida. Este producto solamente fue elaborado para ser utilizado en la industria y el laboratorio o para fines de campo y de ninguna manera deberá ser utilizado de modo que alguna persona/cosa pueda ser dañada. El uso del producto fuera de sus fines definidos o despreciando las informaciones de seguridad del fabricante queda en la responsabilidad del usuario. El fabricante no se hace en ninguna forma responsable de consecuencias a causa del maluso del producto.

Se parte del uso correcto del producto para los fines definidos si el producto es utilizado dentro de las instrucciones del correspondiente manual del uso y dentro del margen de rendimiento definido (ver hoja de datos, documentación, informaciones de seguridad que siguen). El uso de los productos hace necesarios conocimientos profundos y el conocimiento del idioma inglés. Por eso se deberá tener en cuenta de exclusivamente autorizar para el uso de los productos a personas péritas o debidamente minuciosamente instruidas con los conocimientos citados. Si fuera necesaria indumentaria de seguridad para el uso de productos de R&S, encontrará la información debida en la documentación del producto en el capítulo correspondiente.

### Símbolos y definiciones de seguridad

Ver manual de instrucciones del uso	Informaciones para maquinaria con un peso de > 18kg	Peligro de golpe de corriente	¡Cuidado! Superficie caliente	Conexión a conductor protector	Conexión a tierra	Conexión a masa conductora	¡Cuidado! Elementos de construcción con peligro de carga electrostática

potencia EN MARCHA/PARADA	Indicación Stand-by	Corriente continua DC	Corriente alterna AC	Corriente continua/alterna DC/AC	El aparato está protegido en su totalidad por un aislamiento de doble refuerzo

## Informaciones de seguridad

Tener en cuenta las informaciones de seguridad sirve para tratar de evitar daños y peligros de toda clase. Es necesario de que se lean las siguientes informaciones de seguridad concienzudamente y se tengan en cuenta debidamente antes de la puesta en funcionamiento del producto. También deberán ser tenidas en cuenta las informaciones para la protección de personas que encontrarán en otro capítulo de esta documentación y que también son obligatorias de seguir. En las informaciones de seguridad actuales hemos juntado todos los objetos vendidos por Rohde&Schwarz bajo la denominación de „producto“, entre ellos también aparatos, instalaciones así como toda clase de accesorios.

### Palabras de señal y su significado

PELIGRO	Indica un punto de peligro con gran potencial de riesgo para el usuario. Punto de peligro que puede llevar hasta la muerte o graves heridas.
ADVERTENCIA	Indica un punto de peligro con un potencial de riesgo mediano para el usuario. Punto de peligro que puede llevar hasta la muerte o graves heridas .
CUIDADO	Indica un punto de peligro con un potencial de riesgo pequeño para el usuario. Punto de peligro que puede llevar hasta heridas leves o pequeñas
ATENCIÓN	Indica la posibilidad de utilizar mal el producto y a consecuencia dañarlo.
INFORMACIÓN	Indica una situación en la que deberían seguirse las instrucciones en el uso del producto, pero que no consecuentemente deben de llevar a un daño del mismo.

### Informaciones de seguridad elementales

1. El producto solamente debe ser utilizado según lo indicado por el fabricante referente a la situación y posición de funcionamiento sin que se obstruya la ventilación. Si no se convino de otra manera, es para los productos R&S válido lo que sigue:  
modo de protección IP 2X, grado de suciedad 2, categoría de sobrecarga eléctrica 2, utilizar solamente en estancias interiores, utilización hasta 2000 m sobre el nivel del mar.
2. En todos los trabajos deberán ser tenidas en cuenta las normas locales de seguridad de trabajo y de prevención de accidentes. El producto solamente debe de ser abierto por personal périto autorizado. Antes de efectuar trabajos en el producto o abrirlo deberá este ser desconectado de la corriente. El ajuste, el cambio de partes, la manutención y la reparación deberán ser solamente efectuadas por electricistas autorizados por R&S. Si se reponen partes con importancia para los aspectos de seguridad (por ejemplo el enchufe, los transformadores o los fusibles), solamente podrán ser sustituidos por partes originales. Después de cada recambio de partes elementales para la seguridad deberá ser efectuado un control de seguridad (control a primera vista, control de conductor protector, medición de resistencia de aislamiento, medición de medición de la corriente conductora, control de funcionamiento).
3. Como en todo producto de fabricación industrial no puede ser excluido en general de que se produzcan al usarlo elementos que puedan generar alergias, los llamados elementos alergénicos (por ejemplo el aluminio). Si se produjeran en el trato con productos R&S reacciones alérgicas, como por ejemplo urticaria, estornudos frecuentes, irritación de la conjuntiva o dificultades al respirar, se deberá consultar inmediatamente a un médico para averiguar los motivos de estas reacciones.

## Informaciones de seguridad

4. Ciertos productos, como por ejemplo las instalaciones de radiación HF, pueden a causa de su función natural, emitir una radiación electromagnética aumentada. En vista a la protección de la vida en desarrollo deberían ser protegidas personas embarazadas debidamente. También las personas con un bypass pueden correr peligro a causa de la radiación electromagnética. El empresario está comprometido a valorar y señalar áreas de trabajo en las que se corra un riesgo de exposición a radiaciones aumentadas de riesgo aumentado para evitar riesgos.
5. La utilización de los productos requiere instrucciones especiales y una alta concentración en el manejo. Personas minusválidas solamente deberán utilizar estos productos si está por seguro de que a causa de su handicap no podrá surgir ninguna restricción en el manejo del producto.
6. Antes de la puesta en marcha del producto se deberá tener por seguro de que la tensión preseleccionada en el producto equivalga a la de la red de distribución. Si es necesario cambiar la preselección de la tensión también se deberán en caso de cambio cambiar los fusibles correspondientes del producto.
7. Productos de la clase de seguridad I con alimentación móvil y enchufe individual de producto solamente deberán ser conectados para el funcionamiento a tomas de corriente de contacto de seguridad y con conductor protector conectado.
8. Queda prohibida toda clase de interrupción intencionada del conductor protector, tanto en la toma de corriente como en el mismo producto ya que puede tener como consecuencia el peligro de golpe de corriente por el producto. Si se utilizaran cables o enchufes de extensión se deberá poner al seguro, que es controlado su estado técnico de seguridad.
9. Si el producto no está equipado con un interruptor para desconectarlo de la red, se deberá considerar el enchufe del cable de distribución como interruptor. En estos casos deberá asegurarse de que el enchufe sea de fácil acceso y manejo (medida del cable de distribución aproximadamente 2 m). Los interruptores de función o electrónicos no son aptos para el corte de la red eléctrica. Si los productos sin interruptor están integrados en construcciones o instalaciones, se deberá instalar el interruptor al nivel de la instalación.
10. No utilice nunca el producto si está dañado el cable eléctrico. Asegure a través de las medidas de protección y de instalación adecuadas de que el cable de eléctrico no pueda ser dañado o de que nadie pueda ser dañado por él, por ejemplo al tropezar o por un golpe de corriente.
11. Solamente está permitido el funcionamiento en redes de distribución TN/TT aseguradas con fusibles de como máximo 16 A.
12. Nunca conecte el enchufe en tomas de corriente sucias o llenas de polvo. Introduzca el enchufe por completo y fuertemente en la toma de corriente. Si no tiene en consideración estas indicaciones se arriesga a que se originen chispas, fuego y/o heridas.
13. No sobrecargue las tomas de corriente, los cables de extensión o los enchufes de extensión ya que esto pudiera causar fuego o golpes de corriente.
14. En las mediciones en circuitos de corriente con una tensión de entrada de  $U_{eff} > 30 \text{ V}$  se deberá tomar las precauciones debidas para impedir cualquier peligro (por ejemplo medios de medición adecuados, seguros, limitación de tensión, corte protector, aislamiento etc.).
15. En caso de conexión con aparatos de la técnica informática se deberá tener en cuenta que estos cumplan los requisitos de la EC950/EN60950.
16. Nunca abra la tapa o parte de ella si el producto está en funcionamiento. Esto pone a descubierto los cables y componentes eléctricos y puede causar heridas, fuego o daños en el producto.
17. Si un producto es instalado fijamente en un lugar, se deberá primero conectar el conductor protector fijo con el conductor protector del aparato antes de hacer cualquier otra conexión. La instalación y la conexión deberán ser efectuadas por un electricista especializado.

## Informaciones de seguridad

18. En caso de que los productos que son instalados fijamente en un lugar sean sin protector implementado, autointerruptor o similares objetos de protección, deberá la toma de corriente estar protegida de manera que los productos o los usuarios estén suficientemente protegidos.
19. Por favor, no introduzca ningún objeto que no esté destinado a ello en los orificios de la caja del aparato. No vierta nunca ninguna clase de líquidos sobre o en la caja. Esto puede producir corto circuitos en el producto y/o puede causar golpes de corriente, fuego heridas.
20. Asegúrese con la protección adecuada de que no pueda originarse en el producto una sobrecarga por ejemplo a causa de una tormenta. Si no se verá el personal que lo utilice expuesto al peligro de un golpe de corriente.
21. Los productos R&S no están protegidos contra el agua si no es que exista otra indicación, ver también punto 1. Si no se tiene en cuenta esto se arriesga el peligro de golpe de corriente o de daños en el producto lo cual también puede llevar al peligro de personas.
22. No utilice el producto bajo condiciones en las que pueda producirse y se hayan producido líquidos de condensación en o dentro del producto como por ejemplo cuando se desplaza el producto de un lugar frío a un lugar caliente.
23. Por favor no cierre ninguna ranura u orificio del producto, ya que estas son necesarias para la ventilación e impiden que el producto se caliente demasiado. No pongan el producto encima de materiales blandos como por ejemplo sofás o alfombras o dentro de una caja cerrada, si esta no está suficientemente ventilada.
24. No ponga el producto sobre aparatos que produzcan calor, como por ejemplo radiadores o calentadores. La temperatura ambiental no debe superar la temperatura máxima especificada en la hoja de datos.
25. Baterías y acumuladores no deben de ser expuestos a temperaturas altas o al fuego. Guardar baterías y acumuladores fuera del alcance de los niños. Si las baterías o los acumuladores no son cambiados con la debida atención existirá peligro de explosión (atención células de Litio). Cambiar las baterías o los acumuladores solamente por los del tipo R&S correspondiente (ver lista de piezas de recambio). Baterías y acumuladores son desechos problemáticos. Por favor tirenlos en los recipientes especiales para este fin. Por favor tengan en cuenta las prescripciones nacionales de cada país referente al tratamiento de desechos. Nunca sometan a las baterías o acumuladores a un corto circuito.
26. Tengan en consideración de que en caso de un incendio pueden escaparse gases tóxicos del producto, que pueden causar daños a la salud.
27. Por favor tengan en cuenta el peso del producto. Muevanlo cuidadosamente ya que el peso puede causar lesiones de la espalda u otros daños físicos.
28. No sitúe el producto encima de superficies, vehículos, estantes o mesas, que por sus características de peso o de estabilidad no sean aptas para él. Siga siempre las instrucciones de instalación del fabricante cuando instale y asegure el producto en objetos o estructuras (por ejemplo paredes y estantes).
29. Si llega a utilizar el producto dentro de un vehículo, queda en la responsabilidad absoluta del conductor que conducir el vehículo de manera segura. Asegure el producto dentro del vehículo debidamente para evitar en caso de un accidente las lesiones u otra clase de daños. No utilice nunca el producto dentro de un vehículo en movimiento si esto pudiera distraer al conductor. Siempre queda en la responsabilidad absoluta del conductor la seguridad del vehículo y el fabricante no asumirá ninguna clase de responsabilidad por accidentes o colisiones.
30. Dado el caso de que esté integrado un producto de laser en un producto R&S (por ejemplo CD/DVD-ROM) no utilice otras instalaciones o funciones que las descritas en la documentación. De otra manera pondrá en peligro su salud, ya que el rayo laser puede dañar irreversiblemente sus ojos. Nunca trate de descomponer estos productos. Nunca mire dentro del rayo laser.

# Contents of Manuals for Spectrum Analyzer FSP

## Operating Manual FSP

The operating manual describes the following models and options of spectrum analyzer FSP:

- FSP3 9 kHz to 3 GHz
- FSP7 9 kHz to 7 GHz
- FSP13 9 kHz to 13.6 GHz
- FSP30 9 kHz to 30 GHz
- FSP31 9 kHz to 31 GHz
- FSP40 9 kHz to 40 GHz
  
- Option FSP B3 audio demodulator
- Option FSP-B4 OCXO - reference oscillator
- Option FSP-B9 tracking generator
- Option FSP-B10 external generator control
- Option FSP-B15 pulse calibrator
- Option FSP-B16 LAN interface
- Option FSP-B25 electronic attenuator
- Option FSP-B28 trigger port

This operating manual contains information about the technical data of the instrument, the setup functions and about how to put the instrument into operation. It informs about the operating concept and controls as well as about the operation of the FSP via the menus and via remote control. Typical measurement tasks for the FSP are explained using the functions offered by the menus and a selection of program examples.

Additionally the operating manual includes information about maintenance of the instrument and about error detection listing the error messages which may be output by the instrument. It is subdivided into 9 chapters:

- |                   |   |
|-------------------|---|
| <b>Chapter 1</b>  | describes the control elements and connectors on the front and rear panel as well as all procedures required for putting the FSP into operation and integration into a test system.   |
| <b>Chapter 2</b>  | gives an introduction to typical measurement tasks of the FSP which are explained step by step.   |
| <b>Chapter 3</b>  | describes the operating principles, the structure of the graphical interface and offers a menu overview.  |
| <b>Chapter 4</b>  | forms a reference for manual control of the FSP and contains a detailed description of all instrument functions and their application. The chapter also lists the remote control command corresponding to each instrument function. |
| <b>Chapter 5</b>  | describes the basics for programming the FSP, command processing and the status reporting system.   |
| <b>Chapter 6</b>  | lists all the remote-control commands defined for the instrument.   |
| <b>Chapter 7</b>  | contains program examples for a number of typical applications of the FSP.  |
| <b>Chapter 8</b>  | describes preventive maintenance and the characteristics of the instrument's interfaces.  |
| <b>Chapter 8</b>  | gives a list of error messages that the FSP may generate.   |
| <b>Chapter 9</b>  | contains a list of error messages.  |
| <b>Chapter 10</b> | contains an index for the operating manual.   |

**Service Manual - Instrument**

The service manual - instrument informs on how to check compliance with rated specifications, on instrument function, repair, troubleshooting and fault elimination. It contains all information required for the maintenance of FSP by exchanging modules.

## Contents - Chapter 5 "Remote Control - "Basics"

<b>5 Remote Control - Basics</b> .....	<b>5.1</b>
<b>Introduction</b> .....	<b>5.1</b>
<b>Getting Started</b> .....	<b>5.2</b>
<b>Starting Remote Control Operation</b> .....	<b>5.3</b>
Display Contents during Remote Control .....	5.3
Remote Control via IEC/IEEE Bus.....	5.4
Setting the Device Address .....	5.4
Return to Manual Operation .....	5.4
Remote Control via RS-232-Interface .....	5.5
Setting the Transmission Parameters .....	5.5
Return to Manual Operation .....	5.5
Limitations .....	5.5
Remote Control in a Network (RSIB Interface).....	5.6
Setting the Device Address .....	5.6
Return to Manual Operation .....	5.6
<b>Messages</b> .....	<b>5.7</b>
IEC/IEEE-Bus Interface Messages.....	5.7
Device Messages (Commands and Device Responses) .....	5.8
<b>Structure and Syntax of the Device Messages</b> .....	<b>5.9</b>
SCPI Introduction.....	5.9
Structure of a Command .....	5.9
Structure of a Command Line.....	5.12
Responses to Queries .....	5.12
Parameters .....	5.13
Overview of Syntax Elements.....	5.14
<b>Instrument Model and Command Processing</b> .....	<b>5.15</b>
Input Unit .....	5.15
Command Recognition .....	5.16
Instrument Data Base and Instrument Hardware .....	5.16
Output Unit.....	5.17
Command Sequence and Command Synchronization.....	5.17
<b>Status Reporting System</b> .....	<b>5.18</b>
Structure of an SCPI Status Register .....	5.18
Overview of the Status Registers .....	5.20
Description of the Status Registers .....	5.21
Status Byte (STB) and Service Request Enable Register (SRE) .....	5.21
IST Flag and Parallel Poll Enable Register (PPE).....	5.22
Event-Status Register (ESR) and Event-Status-Enable Register (ESE).....	5.22
STATus:OPERation Register .....	5.23
STATus:QUEStionable Register .....	5.24
STATus:QUEStionable:ACPLimit Register .....	5.25
STATus:QUEStionable:FREQuency Register.....	5.26
STATus:QUEStionable:LIMit<1 2> Register .....	5.27
STATus:QUEStionable:LMARgin<1 2> Register .....	5.28
STATus:QUEStionable:POWEr Register .....	5.29

---

STATus:QUEStionable:SYNC Register .....	5.30
Application of the Status Reporting Systems.....	5.31
Service Request, Making Use of the Hierarchy Structure .....	5.31
Serial Poll .....	5.31
Parallel Poll.....	5.32
Query by Means of Commands.....	5.32
Error-Queue Query.....	5.32
Resetting Values of the Status Reporting System.....	5.33



## 5 Remote Control - Basics

In this chapter you'll find:

- instructions on how to put the FSP into operation via remote control,
- a general introduction to remote control of programmable instruments. This includes the description of the command structure and syntax according to the SCPI standard, the description of command execution and of the status registers,
- diagrams and tables describing the status registers used in the FSP.

In chapter 6, all remote control functions are described in detail. The subsystems are listed by alphabetical order according to SCPI. All commands and their parameters are listed by alphabetical order in the command list at the end of chapter 6.

Program examples for the FSP can be found in chapter 7.

The remote control interfaces and their interface functions are described in Chapter 8.

### Introduction

The instrument is equipped with an IEC-bus interface according to standard IEC 625.1/IEEE 488.2 and a RS-232 interface. The connectors are located at the rear of the instrument and permit to connect a controller for remote control. In addition, the instrument can be remotely controlled in a local area network (LAN interface) if option B16 is installed.

The instrument supports the SCPI:version 1997.0 (Standard Commands for Programmable Instruments). The SCPI standard is based on standard IEEE 488.2 and aims at the standardization of device-specific commands, error handling and the status registers (see Section "SCPI Introduction").

The tutorial "Automatic Measurement Control – A tutorial on SCPI and IEEE 488.2" from John M. Pieper (R&S order number 0002.3536.00) offers detailed information on concepts and definitions of SCPI. For remote control in a network, information will be found in the relevant section, "Remote Control in a Network (RSIB Interface)".

This section assumes basic knowledge of IEC/IEEE bus programming and operation of the controller. A description of the interface commands can be obtained from the relevant manuals.

The requirements of the SCPI standard placed on command syntax, error handling and configuration of the status registers are explained in detail in the following sections. Tables provide a fast overview of the bit assignment in the status registers. The tables are supplemented by a comprehensive description of the status registers.

The program examples for IEC-bus programming are all written in VISUAL BASIC.

## Getting Started

The short and simple operating sequence given below permits fast putting into operation of the instrument and setting of its basic functions. As a prerequisite, the IEC/IEEE-bus address, which is factory-set to 20, must not have been changed.

1. Connect instrument and controller using IEC/IEEE-bus cable.
2. Write and start the following program on the controller:

```
CALL IBFIND("DEV1", analyzer%)           'Open port to the instrument
CALL IBPAD(analyzer%, 20)                 'Inform controller about instrument address
CALL IBWRT(analyzer%, '*RST;*CLS')        'Reset instrument

CALL IBWRT(analyzer%, 'FREQ:CENT 100MHz') ' Set center frequency to 100 MHz
CALL IBWRT(analyzer%, 'FREQ:SPAN 10MHz')  ' Set span to 10 MHz
CALL IBWRT(analyzer%, 'DISP:TRAC:Y:RLEV -10dBm')
                                           ' Set reference level to -10 dBm
```

The instrument now performs a sweep in the frequency range of 95 MHz to 105 MHz .

3. To return to manual control, press the *LOCAL* key at the front panel

## Starting Remote Control Operation

On power-on, the instrument is always in the manual operating state ("LOCAL" state) and can be operated via the front panel.

It is switched to remote control ("REMOTE" state)

IEC/IEEE-bus as soon as it receives an addressed command from a controller.

if it is controlled in a network (RSIB interface), as soon as it receives a command from a controller.

RS-232 as soon as it receives the command "@REM" from a controller.

During remote control, operation via the front panel is disabled. The instrument remains in the remote state until it is reset to the manual state via the front panel or via remote control interfaces. Switching from manual operation to remote control and vice versa does not affect the remaining instrument settings.

## Display Contents during Remote Control

During remote control, only the LOCAL softkey appears, with which it is possible to return to manual operation.

In addition, the display of diagrams and results can be blanked out with the command "SYSTem:DISPlay:UPDate OFF" (default in remote control) to obtain optimum performance during remote control operation.

During program execution it is recommended to activate the display of results by means of "SYSTem:DISPlay:UPDate ON" so that it is possible to follow the changes in the device settings and the recorded measurement curves on the screen.

**Note:** *If the instrument is exclusively operated in remote control, it is recommended to switch on the power-save mode (POWER SAVE). In this mode, the required display is completely switched off after a preset time.*

## Remote Control via IEC/IEEE Bus

### Setting the Device Address

In order to operate the instrument via the IEC-bus, it must be addressed using the set IEC/IEEE bus address. The IEC/IEEE bus address of the instrument is factory-set to 20. It can be changed manually in the *SETUP - GENERAL SETUP* menu or via IEC bus. Addresses 0 to 30 are permissible.

#### Manually:

- Call *SETUP - GENERAL SETUP* menu
- Enter desired address in table *GPIB-ADDRESS*
- Terminate input using the *ENTER* key

#### Via IEC/IEEE bus:

CALL IBFIND("DEV1", analyzer%)	'Open port to the instrument
CALL IBPAD(analyzer%, 20)	'Inform controller about old address
CALL IBWRT(analyzer%, "SYST:COMM:GPIB:ADDR 18")	'Set instrument to new address
CALL IBPAD(analyzer%, 18)	'Inform controller about new address

### Return to Manual Operation

Return to manual operation is possible via the front panel or the IEC/IEEE bus.

#### Manually:

- Press the *LOCAL* softkey or the *PRESET* key

- Notes:**
- Before the transition, command processing must be completed as otherwise transition to remote control is performed immediately.
  - The keys can be disabled by the universal command *LLO* (see Chapter 8, *IEC/IEEE-Bus Interface – Interface Messages*) in order to prevent unintentional transition. In this case, transition to manual mode is only possible via the IEC/IEEE bus.
  - The keys can be enabled again by deactivating the *REN* line of the IEC/IEEE bus (see Chapter 8, *IEC/IEEE-Bus Interface – Bus Lines*).

#### Via IEC bus:

...	
CALL IBLOC(analyzer%)	'Set instrument to manual operation
...	

## Remote Control via RS-232-Interface

### Setting the Transmission Parameters

To enable an error-free and correct data transmission, the parameters of the unit and the controller should have the same setting.

Parameters can be manually changed in menu *SETUP-GENERAL SETUP* in table *COM PORT* or via remote control using the command `SYSTEM:COMMunicate:SERial:...`

The transmission parameters of the COM interface are factory-set to the following values:

baudrate = 9600, data bits = 8, stop bits = 1, parity = NONE and owner = INSTRUMENT.

For remote control operation, the interface should be allocated to the operating system (owner = OS) so that the control characters including @ can be recognized by the interface.

#### Manually:

Setting the COM interface

- Call *SETUP-GENERAL SETUP* menu
- Select desired baudrate, bits, stopbit, parity in table *COM PORT*.
- Set owner to OS in table *COM PORT*.
- Terminate input using the *ENTER* key.

### Return to Manual Operation

Return to manual operation is possible via the front panel or via RS-232 interface.

#### Manually:

- Press the *LOCAL* softkey or the *PRESET* key.

#### Notes:

- Before the transition, command processing must be completed as otherwise transition to remote control is performed immediately
- The keys can be enabled again by sending the control string "@LOC" via RS-232 (see Chapter 8, S-232-C Interface - Control Commands).

#### Via RS-232:

```
...
v24puts(port, "@LOC");    Set instrument to manual operation..
...
```

### Limitations

The following limitations apply if the unit is remote-controlled via the RS-232-C interface:

- No interface messages, only control strings (see interface description in Chapter 8, *RS-232-C Interface – Control Commands*).
- Only the Common Commands \*OPC? can be used for command synchronization, \*WAI and \*OPC are not available.
- Block data cannot be transmitted.

## Remote Control in a Network (RSIB Interface)

### Setting the Device Address

For control of the instrument in a network, it must be accessed using the preselected IP address. The IP address of the instrument (device address) is defined in the network configuration.

#### Setting the IP address:

- Call *SETUP - GENERAL SETUP* – CONFIGURE NETWORK menu.
- Select "Protocols" tab.
- Set IP address for TCP/IP protocol under "Properties" (see section on option FSP-B16).

### Return to Manual Operation

Return to manual operation can be made manually via the front panel or remotely via the RSIB interface.

**Manually:** ➤ Press *LOCAL* softkey or *PRESET* key.

#### Note:

- *Make sure that the execution of commands is completed prior to switchover since otherwise the instrument will switch back to remote control immediately.*

#### Via RSIB interface:

```
...  
CALL RSDLLibloc(analyzer%, ibsta%, iberr%, ibcntl&)'Set  
device to manual control  
...
```

## Messages

The messages transferred via the data lines of the IEC bus (see Chapter 8, IEC/IEEE-Bus Interface) can be divided into two groups:

- **interface messages and**
- **device messages.**

### IEC/IEEE-Bus Interface Messages

Interface messages are transferred on the data lines of the IEC bus, the "ATN" control line being active. They are used for communication between controller and instrument and can only be sent by a controller which has the IEC/IEEE bus control. Interface commands can be subdivided into

- **universal commands and**
- **addressed commands.**

Universal commands act on all devices connected to the IEC/IEEE bus without previous addressing, addressed commands only act on devices previously addressed as listeners. The interface messages relevant to the instrument are listed in Chapter 8, IEC/IEEE-Bus Interface – Interface Functions.

## Device Messages (Commands and Device Responses)

Device messages are transferred on the data lines of the IEC bus, the "ATN" control line not being active. ASCII code is used.

A distinction is made according to the direction in which they are sent on the IEC/IEEE bus:

- **Commands** are messages the controller sends to the instrument. They operate the device functions and request informations.  
The commands are subdivided according to two criteria:
  1. According to the effect they have on the instrument:
    - Setting commands** cause instrument settings such as reset of the instrument or setting the center frequency.
    - Queries** cause data to be provided for output on the IEC/IEEE bus, e.g. for identification of the device or polling the marker.
  2. According to their definition in standard IEEE 488.2:
    - Common Commands** are exactly defined as to their function and notation in standard IEEE 488.2. They refer to functions such as management of the standardized status registers, reset and selftest.
    - Device-specific commands** refer to functions depending on the features of the instrument such as frequency setting. A majority of these commands has also been standardized by the SCPI committee (cf. Section "SCPI Introduction").
- **Device responses** are messages the instrument sends to the controller after a query. They can contain measurement results, instrument settings and information on the instrument status (cf. Section "Responses to Queries").

Structure and syntax of the device messages are described in the following Section.



## Structure and Syntax of the Device Messages

### SCPI Introduction

SCPI (Standard Commands for Programmable Instruments) describes a standard command set for programming instruments, irrespective of the type of instrument or manufacturer. The goal of the SCPI consortium is to standardize the device-specific commands to a large extent. For this purpose, a model was developed which defines the same functions inside a device or for different devices. Command systems were generated which are assigned to these functions. Thus it is possible to address the same functions with identical commands. The command systems are of a hierarchical structure.

Fig. 5-1 illustrates this tree structure using a section of command system SENSE, which controls the device-specific settings, that do not refer to the signal characteristics of the measurement signal.

SCPI is based on standard IEEE 488.2, i.e. it uses the same syntactic basic elements as well as the common commands defined in this standard. Part of the syntax of the device responses is defined with greater restrictions than in standard IEEE 488.2 (see Section "Responses to Queries").

### Structure of a Command

The commands consist of a so-called header and, in most cases, one or more parameters. Header and parameter are separated by a "white space" (ASCII code 0 to 9, 11 to 32 decimal, e.g. blank). The headers may consist of several key words. Queries are formed by directly appending a question mark to the header.

**Note:** *The commands used in the following examples are not in every case implemented in the instrument.*

#### Common commands

Common commands consist of a header preceded by an asterisk "\*" and one or several parameters, if any.

Examples:

*RST	RESET, resets the device
*ESE 253	EVENT STATUS ENABLE, sets the bits of the event status enable register
*ESR?	EVENT STATUS QUERY, queries the contents of the event status register.

## Device-specific commands

Hierarchy: Device-specific commands are of hierarchical structure (see Fig. 5-1). The different levels are represented by combined headers. Headers of the highest level (root level) have only one key word. This key word denotes a complete command system.

Example: `SENSe` This key word denotes the command system `SENSe`.

For commands of lower levels, the complete path has to be specified, starting on the left with the highest level, the individual key words being separated by a colon ":".

Example: `SENSe:FREQuency:SPAN 10MHZ`

This command lies in the third level of the `SENSe` system. It set the frequency span.

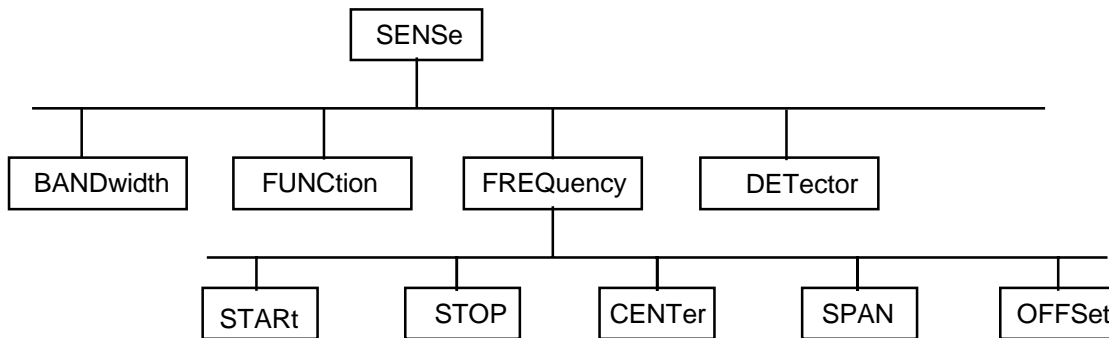


Fig. 5-1 Tree structure the SCPI command systems using the `SENSe` system by way of example

Some key words occur in several levels within one command system. Their effect depends on the structure of the command, that is to say, at which position in the header of a command they are inserted.

Example: `SOURce:FM:POLarity NORMal`

This command contains key word `POLarity` in the third command level. It defines the polarity between modulator and modulation signal.

`SOURce:FM:EXTernal:POLarity NORMal`

This command contains key word `POLarity` in the fourth command level. It defines the polarity between modulation voltage and the resulting direction of the modulation only for the external signal source indicated.

**Optional key words:** Some command systems permit certain key words to be optionally inserted into the header or omitted. These key words are marked by square brackets in the description. The full command length must be recognized by the instrument for reasons of compatibility with the SCPI standard. Some commands are considerably shortened by these optional key words.

**Example:** [SENSe]:BANDwidth[:RESolution]:AUTO

This command couples the resolution bandwidth of the instrument to other parameters. The following command has the same effect:

BANDwidth:AUTO

**Note:** *An optional key word must not be omitted if its effect is specified in detail by a numeric suffix.*

**Long and short form:** The key words feature a long form and a short form. Either the short form or the long form can be entered, other abbreviations are not permissible.

**Beispiel:** STATus:QUESTionable:ENABle 1= STAT:QUES:ENAB 1

**Note:** *The short form is marked by upper-case letters, the long form corresponds to the complete word. Upper-case and lower-case notation only serve the above purpose, the instrument itself does not make any difference between upper-case and lower-case letters.*

**Parameter:** The parameter must be separated from the header by a "white space". If several parameters are specified in a command, they are separated by a comma ",". A few queries permit the parameters MINimum, MAXimum and DEFault to be entered. For a description of the types of parameter, refer to Section "Parameters".

**Example:** SENSe:FREQuency:STOP? MAXimum      Response: 3.5E9  
This query requests the maximal value for the stop frequency.

**Numeric suffix:** If a device features several functions or features of the same kind, e.g. inputs, the desired function can be selected by a suffix added to the command. Entries without suffix are interpreted like entries with the suffix 1.

**Example:** SYSTem:COMMunicate:SERial2:BAUD 9600

This command sets the baudrate of a second serial interface.

## Structure of a Command Line

A command line may consist of one or several commands. It is terminated by a <New Line>, a <New Line> with EOI or an EOI together with the last data byte. The IEC/IEEE driver of the controller usually produces automatically an EOI together with the last data byte.

Several commands in a command line are separated by a semicolon ";". If the next command belongs to a different command system, the semicolon is followed by a colon.

Example:

```
CALL IBWRT(analyzer%, "SENSe:FREQuency:CENTer 100MHz;;INPut:ATTenuation 10")
```

This command line contains two commands. The first one is part of the SENSE command system and is used to determine the center frequency of the instrument. The second one is part of the INPut command system and sets the input signal attenuation.

If the successive commands belong to the same system, having one or several levels in common, the command line can be abbreviated. For that purpose, the second command after the semicolon starts with the level that lies below the common levels (see also Fig. 5-1). The colon following the semicolon must be omitted in this case.

Example:

```
CALL IBWRT(analyzer%, "SENSe:FREQuency:START 1E6;SENSe:FREQuency:STOP 1E9")
```

This command line is represented in its full length and contains two commands separated from each other by the semicolon. Both commands are part of the SENSE command system, subsystem FREQUENCY, i.e. they have two common levels.

When abbreviating the command line, the second command begins with the level below SENSE:FREQUENCY. The colon after the semicolon is omitted.

The abbreviated form of the command line reads as follows:

```
CALL IBWRT(analyzer%, "SENSe:FREQuency:START 1E6;STOP 1E9")
```

However, a new command line always begins with the complete path.

Example: 

```
CALL IBWRT(analyzer, "SENSe:FREQuency:START 1E6")
CALL IBWRT(analyzer%, "SENSe:FREQuency:STOP 1E9")
```

## Responses to Queries

A query is defined for each setting command unless explicitly specified otherwise. It is formed by adding a question mark to the associated setting command. According to SCPI, the responses to queries are partly subject to stricter rules than in standard IEEE 488.2.

1 The requested parameter is transmitted without header.

Example: 

```
INPut:COUPling?
```

 Response: DC

2. Maximum values, minimum values and all further quantities, which are requested via a special text parameter are returned as numerical values.

Example: 

```
SENSe:FREQuency:STOP? MAX
```

 Response: 3.5E9

3. Numerical values are output without a unit. Physical quantities are referred to the basic units or to the units set using the Unit command.

Example: 

```
SENSe:FREQuency:CENTer?
```

 Response: 1E6 for 1 MHz

4. Truth values <Boolean values> are returned as 0 (for OFF) and 1 (for ON).

Example: 

```
SENSe:BANDwidth:AUTO?
```

 Response: 1 for ON

5. Text (character data) is returned in a short form (see also Section 3.5.5).

Example: 

```
SYSTem:COMMunicate:SERial:CONTRol:RTS?
```

 Response(for standard): STAN

## Parameters

Most commands require a parameter to be specified. The parameters must be separated from the header by a "white space". Permissible parameters are numerical values, Boolean parameters, text, character strings and block data. The type of parameter required for the respective command and the permissible range of values are specified in the command description

**Numerical values** Numerical values can be entered in any form, i.e. with sign, decimal point and exponent. Values exceeding the resolution of the instrument are rounded up or down. The mantissa may comprise up to 255 characters, the exponent must lie inside the value range -32000 to 32000. The exponent is introduced by an "E" or "e". Entry of the exponent alone is not permissible. In the case of physical quantities, the unit can be entered. Permissible unit prefixes are G (giga), MA (mega), MOHM and MHZ are also permissible), K (kilo), M (milli), U (micro) and N (nano). If the unit is missing, the basic unit is used.

Example:

```
SENSe:FREQuency:STOP 1.5GHz = SENSe:FREQuency:STOP 1.5E9
```

**Special numerical** The texts MINimum, MAXimum, DEFault, UP and DOWN are interpreted as special numerical values.

In the case of a query, the numerical value is provided.

Example: Setting command: SENSe:FREQuency:STOP MAXimum

Query: SENSe:FREQuency:STOP? Response: 3.5E9

MIN/MAX MINimum and MAXimum denote the minimum and maximum value.

DEF DEFault denotes a preset value which has been stored in the EPROM. This value conforms to the default setting, as it is called by the \*RST command

UP/DOWN UP, DOWN increases or reduces the numerical value by one step. The step width can be specified via an allocated step command (see annex C, List of Commands) for each parameter which can be set via UP, DOWN.

INF/NINF INFINITY, Negative INFINITY (NINF) Negative INFINITY (NINF) represent the numerical values -9.9E37 or 9.9E37, respectively. INF and NINF are only sent as device responses.

NAN Not A Number (NAN) represents the value 9.91E37. NAN is only sent as device response. This value is not defined. Possible causes are the division of zero by zero, the subtraction of infinite from infinite and the representation of missing values.

**Boolean Parameters** Boolean parameters represent two states. The ON state (logically true) is represented by ON or a numerical value unequal to 0. The OFF state (logically untrue) is represented by OFF or the numerical value 0. 0 or 1 is provided in a query.

Example: Setting command: DISPlay:WINDow:STATe ON

Query: DISPlay:WINDow:STATe? Response: 1

**Text** Text parameters observe the syntactic rules for key words, i.e. they can be entered using a short or long form. Like any parameter, they have to be separated from the header by a white space. In the case of a query, the short form of the text is provided.

Example: Setting command: `INPut:COUPling GROund`  
 Query: `INPut:COUPling?` Response `GRO`

**Strings** Strings must always be entered in quotation marks (' or ").

Example: `SYSTem:LANGUage "SCPI"` or  
`SYSTem:LANGUage 'SCPI'`

**Block data** Block data are a transmission format which is suitable for the transmission of large amounts of data. A command using a block data parameter has the following structure:

Example: `HEADer:HEADer #45168xxxxxxxx`

ASCII character # introduces the data block. The next number indicates how many of the following digits describe the length of the data block. In the example the 4 following digits indicate the length to be 5168 bytes. The data bytes follow. During the transmission of these data bytes all End or other control signs are ignored until all bytes are transmitted.

## Overview of Syntax Elements

The following survey offers an overview of the syntax elements.

- :** The colon separates the key words of a command.  
In a command line the colon after the separating semicolon marks the uppermost command level.
- ;** The semicolon separates two commands of a command line. It does not alter the path.
- ,** The comma separates several parameters of a command.
- ?** The question mark forms a query.
- \*** The asterix marks a common command.
- "** Quotation marks introduce a string and terminate it.
- #** The double dagger ( #) introduces block data
- A "white space (ASCII-Code 0 to 9, 11 to 32 decimal, e.g.blank) separates header and parameter.

## Instrument Model and Command Processing

The instrument model shown in Fig. 5-2 has been made viewed from the standpoint of the servicing of IEC-bus commands. The individual components work independently of each other and simultaneously. They communicate by means of so-called "messages".

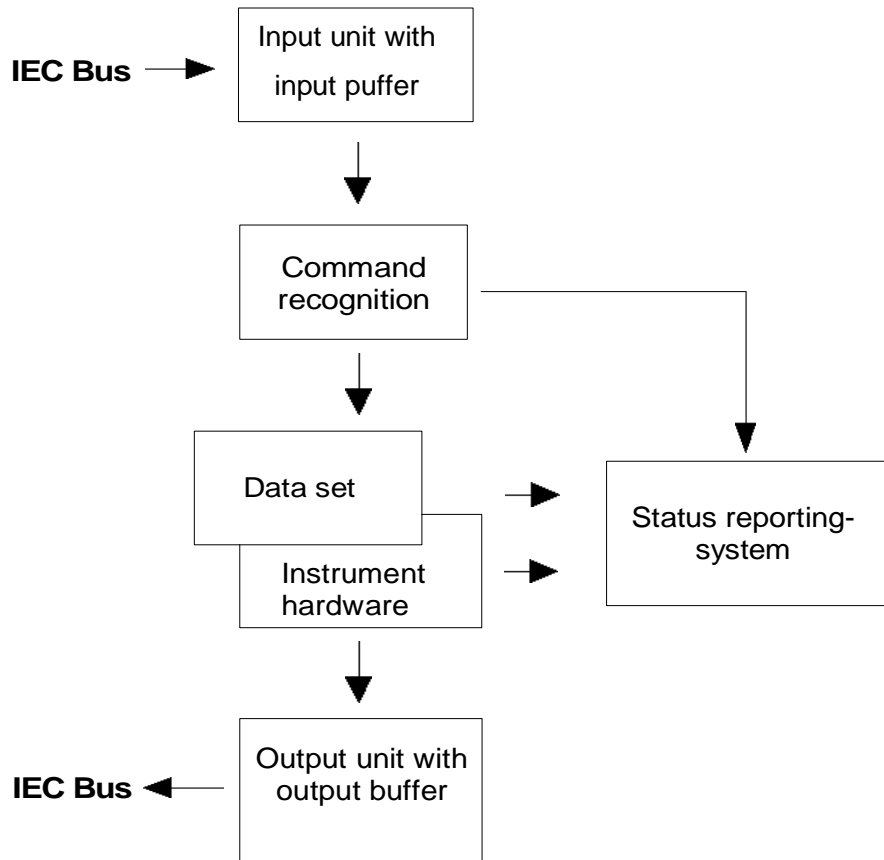


Fig. 5-2 Instrument model in the case of remote control by means of the IEC bus

### Input Unit

The input unit receives commands character by character from the IEC bus and collects them in the input buffer. The input unit sends a message to the command recognition as soon as the input buffer is full or as soon as it receives a delimiter, <PROGRAM MESSAGE TERMINATOR>, as defined in IEEE 488.2, or the interface message DCL.

If the input buffer is full, the IEC-bus traffic is stopped and the data received up to then are processed. Subsequently the IEC-bus traffic is continued. If, however, the buffer is not yet full when receiving the delimiter, the input unit can already receive the next command during command recognition and execution. The receipt of a DCL clears the input buffer and immediately initiates a message to the command recognition.

## Command Recognition

The command recognition analyses the data received from the input unit. It proceeds in the order in which it receives the data. Only a DCL is serviced with priority, a GET (Group Execute Trigger), e.g., is only executed after the commands received before as well. Each recognized command is immediately transferred to the instrument data base but without being executed there at once.

Syntactical errors in the command are recognized in the command recognition and supplied to the status reporting system. The rest of a command line after a syntax error is analysed further if possible and serviced.

If the command recognition recognizes a delimiter (<PROGRAM MESSAGE SEPARATOR> or <PROGRAM MESSAGE TERMINATOR>) or a DCL, it requests the instrument data base to set the commands in the instrument hardware as well now. Subsequently it is immediately prepared to process commands again. This means for the command servicing that further commands can already be serviced while the hardware is still being set ("overlapping execution").

## Instrument Data Base and Instrument Hardware

Here the expression "instrument hardware" denotes the part of the instrument fulfilling the actual instrument function - signal generation, measurement etc. The controller is not included.

The instrument data base is a detailed reproduction of the instrument hardware in the software.

IEC-bus setting commands lead to an alteration in the data set. The data base management enters the new values (e.g. frequency) into the data base, however, only passes them on to the hardware when requested by the command recognition.

The data are only checked for their compatibility among each other and with the instrument hardware immediately before they are transmitted to the instrument hardware. If the detection is made that an execution is not possible, an "execution error" is signalled to the status reporting system. The alteration of the data base are cancelled, the instrument hardware is not reset.

IEC-bus queries induce the data base management to send the desired data to the output unit.

## Status Reporting System

The status reporting system collects information on the instrument state and makes it available to the output unit on request. The exact structure and function are described in Section 3.8



## Output Unit

The output unit collects the information requested by the controller, which it receives from the data base management. It processes it according to the SCPI rules and makes it available in the output buffer. If the instrument is addressed as a talker without the output buffer containing data or awaiting data from the data base management, the output unit sends error message "Query UNTERMINATED" to the status reporting system. No data are sent on the IEC bus, the controller waits until it has reached its time limit. This behaviour is specified by SCPI.

## Command Sequence and Command Synchronization

What has been said above makes clear that all commands can potentially be carried out overlapping.

In order to prevent an overlapping execution of commands, one of commands \*OPC, \*OPC? or \*WAI must be used. All three commands cause a certain action only to be carried out after the hardware has been set and has settled. By a suitable programming, the controller can be forced to wait for the respective action to occur (cf. Table 5-1).

Table 5-1 Synchronisation using \*OPC, \*OPC? and \*WAI

Command	Action after the hardware has settled	Programming the controller
*OPC	Setting the operation-complete bit in the ESR	- Setting bit 0 in the ESE - Setting bit 5 in the SRE - Waiting for service request (SRQ)
*OPC?	Writing a "1" into the output buffer	Addressing the instrument as a talker
*WAI	Continuing the IEC-bus handshake	Sending the next command

An example as to command synchronization can be found in Chapter "Program Examples".

For a couple of commands the synchronization to the end of command execution is mandatory in order to obtain the desired result. The affected commands require either more than one measurement in order to accomplish the desired instrument setting (eg autorange functions), or they require a longer period of time for execution. If a new command is received during execution of the corresponding function this may either lead to either to an aborted measurement or to invalid measurement data.

The following list includes the commands, for which a synchronization via \*OPC, \*OPC? or \*WAI is mandatory:

Table 5-1 Commands with mandatory synchronization (Overlapping Commands)

Command	Purpose
INIT	start measurement
INIT:CONM	continue measurement
CALC:MARK:FUNC:ZOOM	zoom frequency range around marker 1
CALC:STAT:SCAL:AUTO ONCE	optimize level settings for signal statistic measurement functions
[SENS:]POW:ACH:PRES:RLEV	optimize level settings for adjacent channel power measurements

# Status Reporting System

The status reporting system (cf. Fig. 5-4) stores all information on the present operating state of the instrument, e.g. that the instrument presently carries out a calibration and on errors which have occurred. This information is stored in the status registers and in the error queue. The status registers and the error queue can be queried via IEC bus.

The information is of a hierarchical structure. The register status byte (STB) defined in IEEE 488.2 and its associated mask register service request enable (SRE) form the uppermost level. The STB receives its information from the standard event status register (ESR) which is also defined in IEEE 488.2 with the associated mask register standard event status enable (ESE) and registers STATUS:OPERation and STATUS:QUESTionable which are defined by SCPI and contain detailed information on the instrument.

The IST flag ("Individual STATUS") and the parallel poll enable register (PPE) allocated to it are also part of the status reporting system. The IST flag, like the SRQ, combines the entire instrument status in a single bit. The PPE fulfills the same function for the IST flag as the SRE for the service request.

The output buffer contains the messages the instrument returns to the controller. It is not part of the status reporting system but determines the value of the MAV bit in the STB and thus is represented in Fig. 5-4.

## Structure of an SCPI Status Register

Each SCPI register consists of 5 parts which each have a width of 16 bits and have different functions (cf. Fig. 5-3). The individual bits are independent of each other, i.e. each hardware status is assigned a bit number which is valid for all five parts. For example, bit 3 of the STATUS:OPERation register is assigned to the hardware status "wait for trigger" in all five parts. Bit 15 (the most significant bit) is set to zero for all parts. Thus the contents of the register parts can be processed by the controller as positive integer.

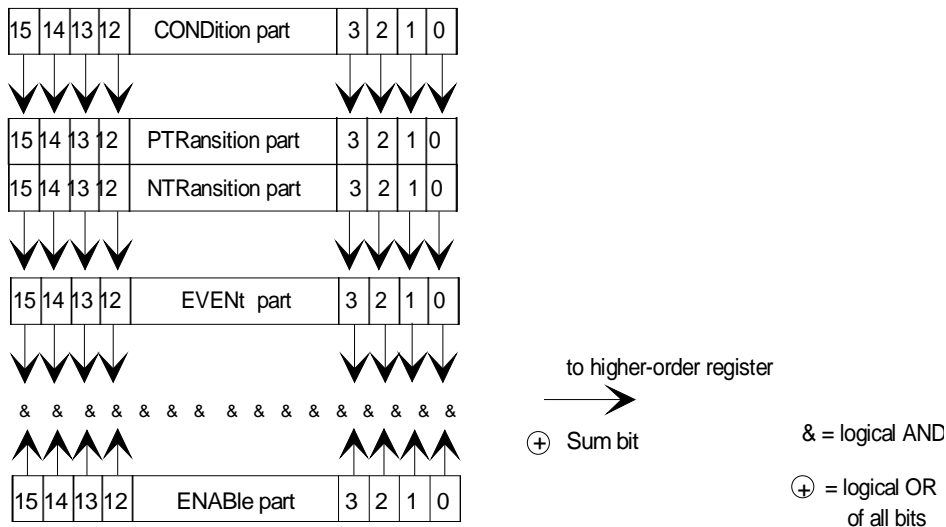


Fig. 5-3 The status-register model

<b>CONDition part</b>	The CONDition part is directly written into by the hardware or the sum bit of the next lower register. Its contents reflects the current instrument status. This register part can only be read, but not written into or cleared. Its contents is not affected by reading.
<b>PTRansition part</b>	The Positive-TRansition part acts as an edge detector. When a bit of the CONDition part is changed from 0 to 1, the associated PTR bit decides whether the EVENT bit is set to 1. PTR bit =1: the EVENT bit is set. PTR bit =0: the EVENT bit is not set. This part can be written into and read at will. Its contents is not affected by reading.
<b>NTRansition part</b>	The Negative-TRansition part also acts as an edge detector. When a bit of the CONDition part is changed from 1 to 0, the associated NTR bit decides whether the EVENT bit is set to 1. NTR-Bit = 1: the EVENT bit is set. NTR-Bit = 0: the EVENT bit is not set. This part can be written into and read at will. Its contents is not affected by reading.  With these two edge register parts the user can define which state transition of the condition part (none, 0 to 1, 1 to 0 or both) is stored in the EVENT part.
<b>EVENT part</b>	The EVENT part indicates whether an event has occurred since the last reading, it is the "memory" of the condition part. It only indicates events passed on by the edge filters. It is permanently updated by the instrument. This part can only be read by the user. During reading, its contents is set to zero. In linguistic usage this part is often equated with the entire register.
<b>ENABLE part</b>	The ENABLE part determines whether the associated EVENT bit contributes to the sum bit (cf. below). Each bit of the EVENT part is ANDed with the associated ENABLE bit (symbol '&'). The results of all logical operations of this part are passed on to the sum bit via an OR function (symbol '+'). ENABLE-Bit = 0: the associated EVENT bit does not contribute to the sum bit ENABLE-Bit = 1: if the associated EVENT bit is "1", the sum bit is set to "1" as well. This part can be written into and read by the user at will. Its contents is not affected by reading.
<b>Sum bit</b>	As indicated above, the sum bit is obtained from the EVENT and ENABLE part for each register. The result is then entered into a bit of the CONDition part of the higher-order register. The instrument automatically generates the sum bit for each register. Thus an event, e.g. a PLL that has not locked, can lead to a service request throughout all levels of the hierarchy.
<b>Note:</b>	<i>The service request enable register SRE defined in IEEE 488.2 can be taken as ENABLE part of the STB if the STB is structured according to SCPI. By analogy, the ESE can be taken as the ENABLE part of the ESR.</i>

# Overview of the Status Registers

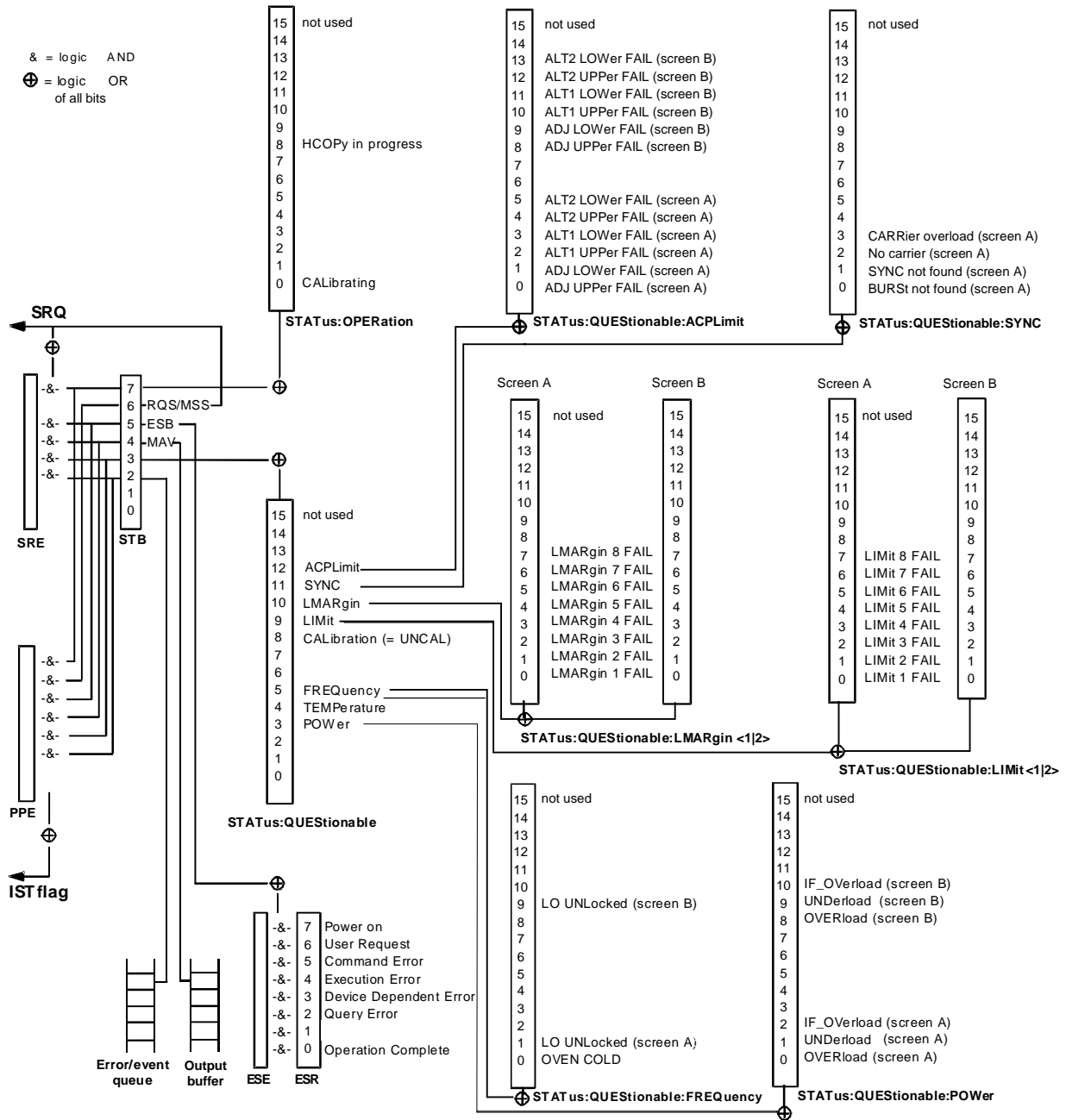


Fig. 5-4 Overview of the status registers

## Description of the Status Registers

### Status Byte (STB) and Service Request Enable Register (SRE)

The STB is already defined in IEEE 488.2. It provides a rough overview of the instrument status by collecting the pieces of information of the lower registers. It can thus be compared with the CONDition part of an SCPI register and assumes the highest level within the SCPI hierarchy. A special feature is that bit 6 acts as the sum bit of the remaining bits of the status byte.

The STATUS BYTE is read out using the command "**\*STB?**" or a serial poll.

The STB implies the SRE. It corresponds to the ENABLE part of the SCPI registers as to its function. Each bit of the STB is assigned a bit in the SRE. Bit 6 of the SRE is ignored. If a bit is set in the SRE and the associated bit in the STB changes from 0 to 1, a Service Request (SRQ) is generated on the IEC bus, which triggers an interrupt in the controller if this is appropriately configured and can be further processed there.

The SRE can be set using command "**\*SRE**" and read using "**\*SRE?**".

Table 5-2 Meaning of the bits in the status byte

Bit No.	Meaning
2	<p><b>Error Queue not empty</b></p> <p>The bit is set when an entry is made in the error queue. If this bit is enabled by the SRE, each entry of the error queue generates a Service Request. Thus an error can be recognized and specified in greater detail by polling the error queue. The poll provides an informative error message. This procedure is to be recommended since it considerably reduces the problems involved with IEC-bus control.</p>
3	<p><b>QUESTIONable status sum bit</b></p> <p>The bit is set if an EVENT bit is set in the QUESTIONable: status register and the associated ENABLE bit is set to 1. A set bit indicates a questionable instrument status, which can be specified in greater detail by polling the QUESTIONable status register.</p>
4	<p><b>MAV bit</b> (message available)</p> <p>The bit is set if a message is available in the output buffer which can be read. This bit can be used to enable data to be automatically read from the instrument to the controller (cf. Chapter 7, program examples).</p>
5	<p><b>ESB bit</b></p> <p>Sum bit of the event status register. It is set if one of the bits in the event status register is set and enabled in the event status enable register. Setting of this bit implies an error or an event which can be specified in greater detail by polling the event status register.</p>
6	<p><b>MSS bit</b> (master status summary bit)</p> <p>The bit is set if the instrument triggers a service request. This is the case if one of the other bits of this registers is set together with its mask bit in the service request enable register SRE.</p>
7	<p><b>OPERation status register sum bit</b></p> <p>The bit is set if an EVENT bit is set in the OPERation-Status register and the associated ENABLE bit is set to 1. A set bit indicates that the instrument is just performing an action. The type of action can be determined by polling the OPERation-status register.</p>

### IST Flag and Parallel Poll Enable Register (PPE)

By analogy with the SRQ, the IST flag combines the entire status information in a single bit. It can be queried by means of a parallel poll (cf. Section 3.8.4.3) or using command `"*IST?"`.

The parallel poll enable register (PPE) determines which bits of the STB contribute to the IST flag. The bits of the STB are ANDed with the corresponding bits of the PPE, with bit 6 being used as well in contrast to the SRE. The Ist flag results from the ORing of all results. The PPE can be set using commands `"*PRE"` and read using command `"*PRE?"`.

### Event-Status Register (ESR) and Event-Status-Enable Register (ESE)

The ESR is already defined in IEEE 488.2. It can be compared with the EVENT part of an SCPI register. The event status register can be read out using command `"*ESR?"`.

The ESE is the associated ENABLE part. It can be set using command `"*ESE"` and read using command `"*ESE?"`.

Table 5-3 Meaning of the bits in the event status register

Bit No.	Meaning
0	<b>Operation Complete</b> This bit is set on receipt of the command <code>*OPC</code> exactly when all previous commands have been executed.
1	This bit is not used
2	<b>Query Error</b> This bit is set if either the controller wants to read data from the instrument without having send a query, or if it does not fetch requested data and sends new instructions to the instrument instead. The cause is often a query which is faulty and hence cannot be executed.
3	<b>Device-dependent Error</b> This bit is set if a device-dependent error occurs. An error message with a number between -300 and -399 or a positive error number, which denotes the error in greater detail, is entered into the error queue (cf. Chapter 9, Error Messages).
4	<b>Execution Error</b> This bit is set if a received command is syntactically correct, however, cannot be performed for other reasons. An error message with a number between -200 and -300, which denotes the error in greater detail, is entered into the error queue (cf. Chapter 9, Error Messages).
5	<b>Command Error</b> This bit is set if a command which is undefined or syntactically incorrect is received. An error message with a number between -100 and -200, which denotes the error in greater detail, is entered into the error queue (cf. Chapter 9 "Error Messages").
6	<b>User Request</b> This bit is set on pressing the <i>LOCAL</i> key.
7	<b>Power On</b> (supply voltage on) This bit is set on switching on the instrument.

## STATus:OPERation Register

In the CONDition part, this register contains information on which actions the instrument is being executing or, in the EVENt part, information on which actions the instrument has executed since the last reading. It can be read using commands "STATus:OPERation:CONDition?" or "STATus:OPERation[:EVENT]?".

Table 5-4 Meaning of the bits in the STATus.OPERation register

Bit No.	Meaning
0	<b>CALibrating</b> This bit is set as long as the instrument is performing a calibration.
1 to 7	These bits are not used
8	<b>HardCOPy in progress</b> This bit is set while the instrument is printing a hardcopy.
9 to 14	These bits are not used
15	This bit is always 0

## STATus:QUEStionable Register

This register comprises information about indefinite states which may occur if the unit is operated without meeting the specifications. It can be queried by commands `STATus:QUEStionable:CONDition?` and `STATus:QUEStionable[:EVENT]?`.

Table 5-5 Meaning of bits in STATus:QUEStionable register

Bit No.	Meaning
0 to 2	These bits are not used
3	<b>POWER</b> This bit is set if a questionable power occurs (cf. also section "STATus:QUEStionable:POWER Register")
4	<b>TEMPerature</b> This bit is set if a questionable temperature occurs.
5	<b>FREQuency</b> The bit is set if a frequency is questionable (cf. section "STATus:QUEStionable:FREQuency Register")
6 to 7	These bits are not used
8	<b>CALibration</b> The bit is set if a measurement is performed uncalibrated ( $\hat{=}$ label "UNCAL")
9	<b>LIMit</b> (device-specific) This bit is set if a limit value is violated (see also section STATus:QUEStionable:LIMit Register)
10	<b>LMARgin</b> (device-specific) This bit is set if a margin is violated (see also section STATus:QUEStionable:LMARgin Register)
11	<b>SYNC</b> (device-dependent) This bit is set if, in measurements or premeasurements in GSM MS mode, synchronization to midamble fails or no burst is found. This bit is also set if, in premeasurements in GSM MS mode, the result differs too strongly from the expected value (see also "STATus:QUEStionable:SYNC Register").
12	<b>ACPLimit</b> (device-specific) This bit is set if a limit for the adjacent channel power measurement is violated (see also section "STATus:QUEStionable:ACPLimit Register")
13 to 14	These bits are not used
15	This bit is always 0.



**STATus:QUEStionable:ACPLimit Register**

This register comprises information about the observance of limits during adjacent power measurements. It can be queried with commands 'STATus:QUEStionable:ACPLimit:CONDition?' and 'STATus:QUEStionable:ACPLimit[:EVENT]?'

Table 5-6 Meaning of bits in STATus:QUEStionable:ACPLimit register

Bit No.	Meaning
0	<b>ADJ UPPER FAIL(Screen A)</b> This bit is set if in screen A. the limit is exceeded in the upper adjacent channel
1	<b>ADJ LOWER FAIL (Screen A)</b> This bit is set if in screen A the limit is exceeded in the lower adjacent channel.
2	<b>ALT1 UPPER FAIL (Screen A)</b> This bit is set if in screen A the limit is exceeded in the upper 1st alternate channel.
3	<b>ALT1 LOWER FAIL (Screen A)</b> This bit is set if in screen A the limit is exceeded in the lower 1st alternate channel.
4	<b>ALT2 UPPER FAIL (Screen A)</b> This bit is set if in screen A the limit is exceeded in the upper 2nd alternate channel.
5	<b>ALT2 LOWER FAIL (Screen A)</b> This bit is set if in screen A the limit is exceeded in the lower 2nd alternate channel.
6 to 7	not used
8	<b>ADJ UPPER FAIL (Screen B)</b> This bit is set if in screen B the limit is exceeded in the upper adjacent channel.
9	<b>ADJ LOWER FAIL (Screen B)</b> This bit is set if in screen B the limit is exceeded in the lower adjacent channel.
10	<b>ALT1 UPPER FAIL (Screen B)</b> This bit is set if in screen B the limit is exceeded in the upper 1st alternate channel.
11	<b>ALT1 LOWER FAIL (Screen B)</b> This bit is set if in screen B the limit is exceeded in the lower 1st alternate channel.
12	<b>ALT2 UPPER FAIL (Screen B)</b> This bit is set if in screen B the limit is exceeded in the upper 2nd alternate channel.
13	<b>ALT2 LOWER FAIL (Screen B)</b> This bit is set if in screen B the limit is exceeded in the lower 2nd alternate channel.
14	not used
15	This bit is always set to 0.

### STATUS:QUESTIONABLE:FREQUENCY Register

This register comprises information about the reference and local oscillator. It can be queried with commands `STATUS:QUESTIONABLE:FREQUENCY:CONDITION?` and `STATUS:QUESTIONABLE:FREQUENCY[:EVENT]?`.

Table 5-7 Meaning of bits in STATUS:QUESTIONABLE:FREQUENCY register

Bit No.	Meaning
0	<b>OVEN COLD</b> This bit is set if the reference oscillator has not yet attained its operating temperature. 'OCXO' will then be displayed.
1	<b>LO UNLocked</b> (Screen A) This bit is set if the local oscillator no longer locks. 'LOUNL' will then be displayed.
2 to 8	not used
9	<b>LO UNLocked</b> (Screen B) This bit is set if the local oscillator no longer locks. 'LOUNL' will then be displayed.
10 to 14	not used
15	This bit is always 0.

**STATus:QUEStionable:LIMit<1|2> Register**

This register comprises information about the observance of limit lines in the corresponding measurement window (LIMit 1 corresponds to Screen A, LIMit 2 to Screen B). It can be queried with commands `STATus:QUEStionable:LIMit<1|2>:CONDition?` and `STATus:QUEStionable:LIMit<1|2>[:EVENT]?`.

Table 5-8 Meaning of bits in STATus:QUEStionable:LIMit&lt;1|2&gt; register

Bit No.	Meaning
0	<b>LIMit 1 FAIL</b> This bit is set if limit line 1 is violated.
1	<b>LIMit 2 FAIL</b> This bit is set if limit line 2 is violated.
2	<b>LIMit 3 FAIL</b> This bit is set if limit line 3 is violated.
3	<b>LIMit 4 FAIL</b> This bit is set if limit line 4 is violated.
4	<b>LIMit 5 FAIL</b> This bit is set if limit line 5 is violated.
5	<b>LIMit 6 FAIL</b> This bit is set if limit line 6 is violated.
6	<b>LIMit 7 FAIL</b> This bit is set if limit line 7 is violated.
7	<b>LIMit 8 FAIL</b> This bit is set if limit line 8 is violated.
8 to 14	not used
15	This bit is always 0.

**STATus:QUEStionable:LMARgin<1|2> Register**

This register comprises information about the observance of limit margins in the corresponding measurement window (LMARgin1 corresponds to Screen A, LMARgin2 corresponds to Screen B). It can be queried with commands `STATus:QUEStionable:LMARgin<1|2>:CONDition?` and `"STATus :QUEStionable:LMARgin<1|2>[:EVENT]?"`.

Table 5-9 Meaning of bits in STATus:QUEStionable:LMARgin<1|2> register

Bit No.	Meaning
0	<b>LMARgin 1 FAIL</b> This bit is set if limit margin 1 is violated.
1	<b>LMARgin 2 FAIL</b> This bit is set if limit margin 2 is violated.
2	<b>LMARgin 3 FAIL</b> This bit is set if limit margin 3 is violated.
3	<b>LMARgin 4 FAIL</b> This bit is set if limit margin 4 is violated.
4	<b>LMARgin 5 FAIL</b> This bit is set if limit margin 5 is violated.
5	<b>LMARgin 6 FAIL</b> This bit is set if limit margin 1 is violated.
6	<b>LMARgin 7 FAIL</b> This bit is set if limit margin 7 is violated.
7	<b>LMARgin 8 FAIL</b> This bit is set if limit margin 8 is violated.
8 to 14	not used
15	This bit is always 0.

## STATus:QUEStionable:POWer Register

This register comprises all information about possible overloads of the unit. It can be queried with commands `STATus:QUEStionable:POWer:CONDition?` and `"STATus:QUEStionable:POWer[:EVENT]?"`.

Table 5-10 Meaning of bits in STATus:QUEStionable:POWer register

Bit No.	Meaning
0	<b>OVERload</b> (Screen A) This bit is set if the RF input is overloaded. 'OVLD' will then be displayed.
1	<b>UNDerload</b> (Screen A) This bit is set if the RF input is underloaded. 'UNLD' will then be displayed.
2	<b>IF_OVERload</b> (Screen A) This bit is set if the IF path is overloaded. 'IFOVL' will then be displayed.
3 to 7	not used
8	<b>OVERload</b> (Screen B) This bit is set if the RF input is overloaded. 'OVLD' will then be displayed.
9	<b>UNDerload</b> (Screen B) This bit is set if the RF input is underloaded. 'UNLD' will then be displayed.
10	<b>IF_OVERload</b> (Screen B) This bit is set if the IF path is overloaded. 'IFOVL' will then be displayed.
11 to 14	not used
15	This bit is always 0.

**STATus:QUEStionable:SYNC Register**

This register is used only with GSM MS mode. It contains information about sync and bursts not found, and about premeasurement results exceeding or falling short of expected values.

The bits can be queried with commands "STATus:QUEStionable:SYNC:CONDition?" and "STATus:QUEStionable:SYNC[:EVENT]?".

Table 5-11 Meaning of bits in STATus:QUEStionable:SYNC register

Bit No.	Meaning
0	<b>BURSt not found (screen A)</b> This bit is set if no burst is found in the measurements/premeasurements for phase/frequency error (PFE) or carrier power versus time (PVT) in GSM MS mode. If a burst is found in these measurements/premeasurements, the bit is reset.
1	<b>SYNC not found (screen A)</b> This bit is set if the synchronization sequence (training sequence) of the midamble is not found in the measurements/premeasurements for phase/frequency error (PFE) or carrier power versus time (PVT) in GSM MS mode. If the synchronization sequence (training sequence) of the midamble is found in these measurements/premeasurements, the bit is reset.
2	<b>No carrier (screen A)</b> This bit is set if, in GSM MS mode, the level value determined in the premeasurements for carrier power versus time (PVT) and spectrum due to modulation is too low. The bit is reset at the beginning of the premeasurement (see also Chapter 2, description of the named premeasurements).
3	<b>Carrier overload (screen A)</b> This bit is set if, in GSM MS mode, the level value determined in the premeasurements for carrier versus time (PVT) and spectrum due to modulation is too high. The bit is reset at the beginning of the premeasurement (see also Chapter 2, description of the named premeasurements).
4-14	Not used.
15	This bit is always 0.

## Application of the Status Reporting Systems

In order to be able to effectively use the status reporting system, the information contained there must be transmitted to the controller and further processed there. There are several methods which are represented in the following. Detailed program examples are to be found in chapter 7, Program Examples.

### Service Request, Making Use of the Hierarchy Structure

Under certain circumstances, the instrument can send a service request (SRQ) to the controller. Usually this service request initiates an interrupt at the controller, to which the control program can react with corresponding actions. As evident from Fig. 5-4, an SRQ is always initiated if one or several of bits 2, 3, 4, 5 or 7 of the status byte are set and enabled in the SRE. Each of these bits combines the information of a further register, the error queue or the output buffer. The corresponding setting of the ENABLE parts of the status registers can achieve that arbitrary bits in an arbitrary status register initiate an SRQ. In order to make use of the possibilities of the service request, all bits should be set to "1" in enable registers SRE and ESE.

Examples (cf. Fig. 5-4 and chapter 7, Program Examples, as well):

Use of command "\*OPC" to generate an SRQ at the end of a sweep.

- CALL IBWRT(analyzer%, "\*ESE 1") Set bit 0 in the ESE (Operation Complete)
- CALL IBWRT(analyzer%, "\*SRE 32") Set bit 5 in the SRE (ESB)?

After its settings have been completed, the instrument generates an SRQ.

The SRQ is the only possibility for the instrument to become active on its own. Each controller program should set the instrument in a way that a service request is initiated in the case of malfunction. The program should react appropriately to the service request. A detailed example for a service request routine is to be found in chapter 7, Program Examples.

### Serial Poll

In a serial poll, just as with command "\*STB", the status byte of an instrument is queried. However, the query is realized via interface messages and is thus clearly faster. The serial-poll method has already been defined in IEEE 488.1 and used to be the only standard possibility for different instruments to poll the status byte. The method also works with instruments which do not adhere to SCPI or IEEE 488.2.

The VISUAL BASIC command for executing a serial poll is "IBRSP()". Serial poll is mainly used to obtain a fast overview of the state of several instruments connected to the IEC bus.

## Parallel Poll

In a parallel poll, up to eight instruments are simultaneously requested by the controller by means of a single command to transmit 1 bit of information each on the data lines, i.e., to set the data line allocated to each instrument to logically "0" or "1". By analogy to the SRE register which determines under which conditions an SRQ is generated, there is a parallel poll enable register (PPE) which is ANDed with the STB bit by bit as well considering bit 6. The results are ORed, the result is then sent (possibly inverted) as a response in the parallel poll of the controller. The result can also be queried without parallel poll by means of command "\*IST".

The instrument first has to be set for the parallel poll using quick-BASIC command "IBPPC()". This command allocates a data line to the instrument and determines whether the response is to be inverted. The parallel poll itself is executed using "IBRPP()".

The parallel-poll method is mainly used in order to quickly find out after an SRQ which instrument has sent the service request if there are many instruments connected to the IEC bus. To this effect, SRE and PPE must be set to the same value. A detailed example as to the parallel poll is to be found in chapter 7, Program Examples.

## Query by Means of Commands

Each part of every status register can be read by means of queries. The individual commands are indicated in the detailed description of the registers in Section 3.8.3. What is returned is always a number which represents the bit pattern of the register queried. Evaluating this number is effected by the controller program.

Queries are usually used after an SRQ in order to obtain more detailed information on the cause of the SRQ.

## Error-Queue Query

Each error state in the instrument leads to an entry in the error queue. The entries of the error queue are detailed plain-text error messages which can be looked at in the ERROR menu via manual control or queried via the IEC bus using command "SYSTem:ERRor?". Each call of "SYSTem:ERRor?" provides an entry from the error queue. If no error messages are stored there any more, the instrument responds with 0, "No error".

The error queue should be queried after every SRQ in the controller program as the entries describe the cause of an error more precisely than the status registers. Especially in the test phase of a controller program the error queue should be queried regularly since faulty commands from the controller to the instrument are recorded there as well.



## Resetting Values of the Status Reporting System

Table 5-12 comprises the different commands and events causing the status reporting system to be reset. None of the commands, except for \*RST and SYSTem:PRESet influences the functional instrument settings. In particular, DCL does not change the instrument settings.

Table 5-12 Resetting instrument functions

Event	Switching on supply voltage		DCL,SDC (Device Clear, Selected Device Clear)	*RST or SYSTem:PRESet	STATus:PRESet	*CLS
	Power-On-Status-Clear					
	0	1				
Clear STB,ESR	—	yes	—	—	—	yes
Clear SRE,ESE	—	yes	—	—	—	—
Clear PPE	—	yes	—	—	—	—
Clear EVENTt parts of the registers	—	yes	—	—	—	yes
Clear Enable parts of all OPERation and QUEStionable registers, Fill Enable parts of all other registers with "1".	—	yes	—	—	yes	—
Fill PTRansition parts with "1", Clear NTRansition parts	—	yes	—	—	yes	—
Clear error queue	yes	yes	—	—	—	yes
Clear output buffer	yes	yes	yes	1)	1)	1)
Clear command processing and input buffer	yes	yes	yes	—	—	—

1) Every command being the first in a command line, i.e., immediately following a <PROGRAM MESSAGE TERMINATOR> clears the output buffer.



## Contents - Chapter 6

### "Remote Control - Description of Commands"

<b>6 Remote Control - Description of Commands</b> .....	<b>6.1-1</b>
<b>Notation</b> .....	<b>6.1-1</b>
<b>Common Commands</b> .....	<b>6.1-4</b>
<b>ABORt Subsystem</b> .....	<b>6.1-8</b>
<b>CALCulate Subsystem</b> .....	<b>6.1-8</b>
CALCulate:BT00th – Subsystem for BLUETOOTH Analyzer .....	6.1-9
CALCulate:DELTamarker Subsystem .....	6.1-20
CALCulate:FEED Subsystem .....	6.1-28
CALCulate:LIMit Subsystem.....	6.1-31
CALCulate:LIMit:SPECtrum Subsystem .....	6.1-35
CALCulate:LIMit:ACPower Subsystem .....	6.1-38
CALCulate:LIMit:CONTRol Subsystem .....	6.1-47
CALCulate:LIMit:LOWer Subsystem .....	6.1-49
CALCulate:LIMit:UPPer Subsystem .....	6.1-52
CALCulate:MARKer Subsystem .....	6.1-55
CALCulate:MARKer:FUNcTion Subsystem .....	6.1-63
CALCulate:MARKer:FUNcTion:ADEMod Subsystem .....	6.1-73
CALCulate:MARKer:FUNcTion:POWer Subsystem .....	6.1-76
CALCulate:MARKer:FUNcTion:STRack Subsystem .....	6.1-82
CALCulate:MARKer:FUNcTion:SUMMary Subsystem .....	6.1-84
CALCulate:MARKer:FUNcTion-Subsystem - WCDMA 3GP FDD BTS and GSM/EDGE (FS-K72/K73) .....	6.1-94
CALCulate:MARKer subsystem for options cdma2000 BTS (FS-K82) and 1xEV-DO BTS '(FS-K84) .....	6.1-97
CALCulate:MATH Subsystem .....	6.1-101
CALCulate:STATistics Subsystem .....	6.1-103
CALCulate:THReshold Subsystem .....	6.1-107
CALCulate:UNIT Subsystem .....	6.1-109
<b>CALibration Subsystem</b> .....	<b>6.1-110</b>
<b>CONFigure – Subsystem</b> .....	<b>6.1-112</b>
CONFigure:BT00th – Subsystem .....	6.1-112
CONFigure: subsystem for GSM/EDGE Analyzer.....	6.1-120
CONFigure:BURSt - Subsystem .....	6.1-125
CONFigure:SPECtrum - Subsystem .....	6.1-128
CONFigure:SPURious - Subsystem.....	6.1-130
CONFigure:WCDPower - Subsystem .....	6.1-131
CONFigure:CDPower subsystem.....	6.1-138

<b>DIAGnostic Subsystem .....</b>	<b>6.1-145</b>
<b>DISPlay Subsystem.....</b>	<b>6.1-149</b>
<b>FETCh - Subsystem .....</b>	<b>6.1-157</b>
FETCh:BURSt - Subsystem .....	6.1-157
FETCh:PTEMplate Subsystem.....	6.1-172
FETCh:SPECTrum Subsystem .....	6.1-173
<b>FORMat Subsystem .....</b>	<b>6.1-176</b>
<b>HCOPy Subsystem .....</b>	<b>6.1-177</b>
<b>INITiate Subsystem.....</b>	<b>6.1-182</b>
<b>INPUt Subsystem .....</b>	<b>6.1-184</b>
<b>INSTrument Subsystem .....</b>	<b>6.1-188</b>
<b>MMEMory Subsystem.....</b>	<b>6.1-190</b>
<b>OUTPUt Subsystem .....</b>	<b>6.1-201</b>
<b>READ - Subsystem.....</b>	<b>6.1-202</b>
READ:AUTO - Subsystem.....	6.1-202
READ:BURSt - Subsystem.....	6.1-203
READ:SPECTrum Subsystem .....	6.1-218
<b>SENSE Subsystem .....</b>	<b>6.1-221</b>
[SENSe:]ADEMod - Subsystem.....	6.1-221
SENSe:AVERage Subsystem .....	6.1-243
SENSe:BANDwidth Subsystem.....	6.1-245
SENSe:CDPower Subsystem.....	6.1-250
SENSe:CORRection Subsystem.....	6.1-260
SENSe:DETEctor Subsystem.....	6.1-266
SENSe:DDEMod - Subsystem .....	6.1-267
SENSe:FREQuency Subsystem.....	6.1-270
SENSe:LIST Subsystem.....	6.1-273
SENSe:MPOWer Subsystem .....	6.1-279
SENSe:POWer Subsystem .....	6.1-283
SENSe:ROSCillator Subsystem .....	6.1-289
SENSe:SWEep Subsystem.....	6.1-290
<b>SENSe:TV Subsystem .....</b>	<b>6.1-294</b>
<b>SOURce Subsystem .....</b>	<b>6.1-295</b>
Internal Tracking Generator.....	6.1-295
SOURce:EXTernal Subsystem.....	6.1-298
<b>STATus Subsystem .....</b>	<b>6.1-302</b>

<b>SYSTEM Subsystem</b> .....	<b>6.1-312</b>
<b>TRACe Subsystem</b> .....	<b>6.1-324</b>
General Trace Commands .....	6.1-324
Number and format of the measurement values for the different operating modes	6.1-326
TRACe:IQ Subsystem .....	6.1-342
<b>TRIGger Subsystem</b> .....	<b>6.1-348</b>
<b>UNIT Subsystem</b> .....	<b>6.1-355</b>
<b>IEC/IEEE-Bus Commands of HP Models 856xE, 8566A/B, 8568A/B and 8594E</b> .....	<b>6.2-1</b>
Introduction .....	6.2-1
Command Set of Models 8560E, 8561E, 8562E, 8563E, 8564E, 8565E, 8566B, 8568B and 8594E E .....	6.2-1
Supported Commands of 8566A and 8568A Models .....	6.2-8
Supported Commands of Models 8566A and 8568A .....	6.2-8
Model-Dependent Default Settings.....	6.2-12
Data Output Formats .....	6.2-13
IEC/IEEE-Bus Status Reporting .....	6.2-14
<b>Differences in GPIB behavior between the FSP and the FSE families of instruments</b> .....	<b>6.295</b>
<b>Table of Softkeys with IEC/IEEE-Bus Command Assignment</b> .....	<b>6.4-1</b>
FREQUENCY Key .....	6.4-1
SPAN Key .....	6.4-2
AMPT Key.....	6.4-3
MKR Key.....	6.4-5
MKR-> Key .....	6.4-6
MKR FCTN Key .....	6.4-7
BW Key.....	6.4-9
SWEEP Key.....	6.4-10
MEAS Key.....	6.4-11
TRIG Key.....	6.4-17
TRACE Key .....	6.4-18
LINES Key .....	6.4-20
Taste DISP .....	6.4-22
Taste FILE .....	6.4-23
Taste CAL.....	6.4-25
SETUP Key.....	6.4-26
HCOPY Key.....	6.4-28
Hotkeys.....	6.4-29
Hotkey NETWORK.....	6.4-30



## 6 Remote Control - Description of Commands

### Notation

In the following sections, all commands implemented in the instrument are first listed in tables and then described in detail, arranged according to the command subsystems. The notation is adapted to the SCPI standard. The SCPI conformity information is included in the individual description of the commands.

#### Table of Commands

Command:	In the command column, the table provides an overview of the commands and their hierarchical arrangement (see indentations).
Parameter:	The parameter column indicates the requested parameters together with their specified range.
Unit:	The unit column indicates the basic unit of the physical parameters.
Comment:	In the comment column an indication is made on: <ul style="list-style-type: none"> <li>– whether the command does not have a query form,</li> <li>– whether the command has only one query form</li> <li>– whether the command is implemented only with a certain option of the instrument</li> </ul>

#### Indentations

The different levels of the SCPI command hierarchy are represented in the table by means of indentations to the right. The lower the level, the further the indentation to the right. Please note that the complete notation of the command always includes the higher levels as well.

Example: `SENSe:FREQuency:CENTer` is represented in the table as follows:

<code>SENSe</code>	first level
<code>:FREQuency</code>	second level
<code>:CENTer</code>	third level

#### Individual description

The individual description contains the complete notation of the command. An example for each command, the \*RST value and the SCPI information are included as well.

The operating modes for which a command can be used are indicated by the following abbreviations:

A	Spectrum analysis
A-F	Spectrum analysis - frequency domain only
A-Z	Spectrum analysis - time domain only (zero span)
GSM/EDGE	GSM mobile station analysis (option FS-K5)
FM	FM demodulator (option FS-K7)
3G FDD	WCDMA 3G FDD BTS and UE (option FS-K72 and K73)
3G FDD BTS	WCDMA 3G FDD BTS (option FS-K72)
3G FDD UE	WCDMA 3G FDD UE (option FS-K73)
BT	BLUETOOTH Analyzer (option FS-K8)
cdma2000 BTS	cdma2000 BTS (option FS-K82)
cdma2000 BTS	cdma2000 BTS (option FS-K82)
1xEV-DO BTS	1xEV-DO BTS (option FS-K84)

**Note:** *The spectrum analysis (analyzer) mode is implemented in the basic unit. For the other modes, the corresponding options are required.*

**Upper/lower case notation** Upper/lower case letters are used to mark the long or short form of the key words of a command in the description (see Chapter 5). The instrument itself does not distinguish between upper and lower case letters.

**Special characters |** A selection of key words with an identical effect exists for several commands. These keywords are indicated in the same line; they are separated by a vertical stroke. Only one of these keywords needs to be included in the header of the command. The effect of the command is independent of which of the keywords is used.

Example: `SENSe:FREQuency:CW|:FIXed`

The two following commands with identical meaning can be created. They set the frequency of the fixed frequency signal to 1 kHz:

`SENSe:FREQuency:CW 1E3 = SENSe:FREQuency:FIXed 1E3`

A vertical stroke in parameter indications marks alternative possibilities in the sense of "or". The effect of the command is different, depending on which parameter is used.

Example: Selection of the parameters for the command

`DISPlay:FORMat FULL | SPLit`

If parameter FULL is selected, full screen is displayed, in the case of SPLit, split screen is displayed.

**[ ]** Key words in square brackets can be omitted when composing the header (cf. Chapter 5, Optional Keywords). The full command length must be accepted by the instrument for reasons of compatibility with the SCPI standards.

Parameters in square brackets can be incorporated optionally in the command or omitted as well.

**{ }** Parameters in braces can be incorporated optionally in the command, either not at all, once or several times.

**Description of parameters** Due to the standardization, the parameter section of SCPI commands consists always of the same syntactical elements. SCPI has therefore specified a series of definitions, which are used in the tables of commands. In the tables, these established definitions are indicated in angled brackets (<...>) and will be briefly explained in the following (see also Chapter 5, Section "Parameters").

**<Boolean>** This keyword refers to parameters which can adopt two states, "on" and "off". The "off" state may either be indicated by the keyword **OFF** or by the numeric value 0, the "on" state is indicated by **ON** or any numeric value other than zero. Parameter queries are always returned the numeric value 0 or 1.



<numeric\_value>

<num>

These keywords mark parameters which may be entered as numeric values or be set using specific keywords (character data).

The following keywords given below are permitted:

MINimum This keyword sets the parameter to the smallest possible value.

MAXimum This keyword sets the parameter to the largest possible value.

DEFault This keyword is used to reset the parameter to its default value.

UP This keyword increments the parameter value.

DOWN This keyword decrements the parameter value.

The numeric values associated to MAXimum/MINimum/DEFault can be queried by adding the corresponding keywords to the command. They must be entered following the quotation mark.

Example: `SENSe:FREQuency:CENTer? MAXimum`

returns the maximum possible numeric value of the center frequency as result.

<arbitrary block program data>

This keyword is provided for commands the parameters of which consist of a binary data block.

## Common Commands

The common commands are taken from the IEEE 488.2 (IEC 625-2) standard. A particular command has the same effect on different devices. The headers of these commands consist of an asterisk "\*" followed by three letters. Many common commands refer to the status reporting system which is described in detail in Chapter 5.

Command	Parameter	Function	Comment
*CAL?		Calibration Query	query only
*CLS		Clear Status	no query
*ESE	0 to 255	Event Status Enable	
*ESR?		Standard Event Status Query	query only
*IDN?		Identification Query	query only
*IST?		Individual Status Query	query only
*OPC		Operation Complete	
*OPT?		Option Identification Query	query only
*PCB	0 to 30	Pass Control Back	no query
*PRE	0 to 255	Parallel Poll Register Enable	
*PSC	0   1	Power On Status Clear	
*RST		Reset	no query
*SRE	0 to 255	Service Request Enable	
*STB?		Status Byte Query	query only
*TRG		Trigger	no query
*TST?		Self Test Query	query only
*WAI		Wait to continue	no query

**\*CAL?**

**CALIBRATION QUERY** initiates a calibration of the instrument and subsequently queries the calibration status. Any responses > 0 indicate errors.

**\*CLS**

**CLEAR STATUS** sets the status byte (STB), the standard event register (ESR) and the EVENT-part of the QUESTIONable and the OPERATION register to zero. The command does not alter the mask and transition parts of the registers. It clears the output buffer.

**\*ESE 0 to 255**

**EVENT STATUS ENABLE** sets the event status enable register to the value indicated. The query form \*ESE? returns the contents of the event status enable register in decimal form.

**\*ESR?**

**STANDARD EVENT STATUS QUERY** returns the contents of the event status register in decimal form (0 to 255) and subsequently sets the register to zero.

**\*IDN?**

**IDENTIFICATION QUERY** queries the instrument identification.

Example: " Rohde&Schwarz, FSP-3, 123456/789, 1.03"

FSP-3 = Device name

123456/789 = Serial number of the instrument

1.03 = Firmware version number

**\*IST?**

**INDIVIDUAL STATUS QUERY** returns the contents of the IST flag in decimal form (0 | 1). The IST flag is the status bit which is sent during a parallel poll (cf. Chapter 5).

**\*OPC**

**OPERATION COMPLETE** sets bit 0 in the event status register when all preceding commands have been executed. This bit can be used to initiate a service request (cf. Chapter 5).

**\*OPC?**

**OPERATION COMPLETE QUERY** writes message "1" into the output buffer as soon as all preceding commands have been executed (cf. Chapter 5).

**\*OPT?**

**OPTION IDENTIFICATION QUERY** queries the options included in the instrument and returns a list of the options installed. The options are separated from each other by means of commas.

Position	Option	
1	FSP-B3	Audio Demodulator
2	FSP-B4	OCXO
3		reserved
4	FSP-B6	TV and RF Trigger
5		reserved
6		reserved
7	B9	Tracking Generator 3 GHz / can be I/Q-modulated
8		Ext. Generator Control
9		reserved
10		reserved
11 to 12		reserved
13	FSP-B15	Broadband Calibration Source
14	FSP-B16	LAN Interface
15 to 22		reserved
23	FSP-B25	Electronic Attenuator + 5 dB Attenuator Steps
24 to 29		reserved
30	FS-K5	FS-K5 GSM-GSM/EDGE
31		reserved
32	FS-K7	FM Demodulator
33 to 34		reserved
35	FS-K72	WCDMA 3G FDD BTS
36	FS-K73	WCDMA 3G FDD UE
38	FS-K82	CDMA2000 Downlink
39		reserved
40	FS-K84	1xEV-DO Downlink
41...45		reserved
46	FSP-B70	FSP Demodulator for WCDMA BTS Measurements
47		reserved
48...51		reserved

**Example:**

B3,B4,0,B6,0,0,B9,B10,0,0,0,0,B15,B16,0,0,0,0,0,0,0,B25,0,0,0,0,0,0,0,K5,0,K7,0,0,0,0,0,0,0,0,0,0,0,0,0,0,0,0,0,0,0

**\*PCB 0 to 30**

**PASS CONTROL BACK** indicates the controller address which the IEC-bus control is to be returned to after termination of the triggered action.

**\*PRE 0 to 255**

**PARALLEL POLL REGISTER ENABLE** sets the parallel poll enable register to the indicated value. The query form \*PRE? returns the contents of the parallel poll enable register in decimal form.

**\*PSC 0 | 1**

**POWER ON STATUS CLEAR** determines whether the contents of the ENABLE registers are preserved or reset during power-up.

\*PSC = 0 causes the contents of the status registers to be preserved. Thus a service request can be generated when switching on the instrument, if the status registers ESE and SRE are suitably configured.

\*PSC ≠ 0 Resets the registers.

The query form \*PSC? reads out the contents of the power-on-status-clear flag. The response can be 0 or 1.

**\*RST**

**RESET** sets the instrument to a defined default status. The command essentially corresponds to pressing the *PRESET* key. The default setting is indicated in the description of the commands.

**\*SRE 0 to 255**

**SERVICE REQUEST ENABLE** sets the service request enable register to the indicated value. Bit 6 (MSS mask bit) remains 0. This command determines under which conditions a service request is generated. The query form \*SRE? reads the contents of the service request enable register in decimal form. Bit 6 is always 0.

**\*STB?**

**READ STATUS BYTE QUERY** reads out the contents of the status byte in decimal form.

**\*TRG**

**TRIGGER** initiates all actions in the currently active test screen expecting a trigger event. This command corresponds to *INITiate:IMMediate* (cf. Section "TRIGger Subsystem").

**\*TST?**

**SELF TEST QUERY** initiates the selftest of the instrument and outputs an error code in decimal form (0 = no error).

**\*WAI**

**WAIT-to-CONTINUE** permits servicing of subsequent commands only after all preceding commands have been executed and all signals have settled (cf. Chapter 5 and "\*\*OPC" as well).

## ABORt Subsystem

The ABORt subsystem contains the commands for aborting triggered actions. An action can be triggered again immediately after being aborted. All commands trigger events, and therefore they have no \*RST value.

COMMAND	PARAMETERS	UNIT	COMMENT
ABORt	-- --	-- --	no query

### ABORt

This command aborts a current measurement and resets the trigger system.

**Example:** "ABOR ; INIT : IMM"

**Characteristics:** \*RST value: 0  
SCPI: conforming

**Mode:** A, GSM/EDGE, FM

## CALCulate Subsystem

The CALCulate subsystem contains commands for converting instrument data, transforming and carrying out corrections. These functions are carried out subsequent to data acquisition, i.e. following the SENSE subsystem.

The numeric suffix is used in CALCulate to make the distinction between the two measurement windows SCREEN A and SCREEN B:

CALCulate1 = Screen A  
CALCulate2 = Screen B.

For commands without suffix, screen A is selected automatically.

**Full Screen** The settings are valid for the measurement window selected with the numeric suffix. They become effective as soon as the corresponding measurement window has been selected as active measurement window using the command `DISPLay[:WINDow<1|2>]:SElect`. Triggering measurements and querying measured values is possible only in the active measurement window.

**Split Screen** The settings are valid for the measurement window selected by means of the numeric suffix and become effective immediately.

**Notes:** *All GSM measurements are performed in screen A. Therefore, commands carrying a numerical suffix selecting the screen should start either with the numerical suffix 1 (i.e. CALCulate1) or without a numerical suffix (i.e. CALCulate).*

## CALCulate:BT0oth – Subsystem for BLUETOOTH Analyzer

The following commands are used to configure the operating mode BLUETOOTH analyzer (Option R&S FS-K8).

COMMAND	PARAMETERS	UNIT	COMMENT
CALCulate<1 2> :BT0oth			option FS-K8
:OPOWer			
[:PEAK]?			query only
:AVERAge?	MINimum   MAXimum		query only
:PDENsity?			query only
:PCONtrol			
[:ABSolute]?			query only
:RELative?			query only
:FRANge?			query only
:OBANdwidth			
:FLOW?			query only
:FHIGH?			query only
:OBWidth			
:FLOW?			query only
:FHIGH?			query only
:ACLR			
[:LIST]?			query only
:EXCeptions?			query only
:MCHar			
:DF<1 2>			
:AVERAge?	MINimum   MAXimum		query only
:MAXimum?	MINimum   MAXimum   AVERAge		query only
:PERCent?			query only
:RATio?	MINimum   MAXimum   AVERAge		query only
:ICFTolerance?	MINimum   MAXimum   AVERAge		query only
:CFDRift			
[:MAXimum]?			query only
:RATE?			query only
:PLENght?			query only
:PTYPE?			query only
:STATus?			query only

### CALCulate:BT0oth:OPOWER[:PEAK]?

This command reads the peak value of the Output Power Measurement according to the BLUETOOTH standard.

**Note:** This command is only available with active Output Power Measurement (command CONF:BT0:MEAS OPOW). With all other measurements it will lead to a query error.

**Example:**

"INST:SEL BTO"	'activates the Bluetooth option
"INIT:CONT OFF"	'select single sweep operation
"CONF:BT0:CHAN 10"	'select channel 10
"CONF:BT0:GEOG EUR"	'select geographical region Europe
"CONF:BT0:PCL 1"	'select power class 1
"CONF:BT0:BT0:PRAT 4"	'select 4 points per symbol
"CONF:BT0:PTYP DH1"	'select 1 slot packet
"DDEM:SEAR:PULS ON"	'activate the FIND BURST function
"DDEM:SEAR:PULS:OFFS 0s"	'set burst offset = 0
"DDEM:SEAR:SYNC ON"	'activate the FIND SYNC function

```

"DDEM:SEAR:SYNC:OFFS 0s" 'set the sync offset = 0
"DDEM:SEAR:SYNC:LAP 0" 'set the lower address part = 0
"DDEM:SEAR:TIME:AUTO ON" 'select automatic search length
"CONF:BTO:MEAS OPOW" 'activate the Output Power Measurement
"INIT;*WAI" 'start the measurement with synchronisation
"CALC:BTO:OPOW?" 'query the output power result

```

**Characteristics:** \*RST value: -  
SCPI: device specific

**Mode:** BT

### CALCulate:BT0oth:OPOWER:AVERAge? MINimum | MAXimum

This command reads the average value of the Output Power measurement according to the Bluetooth standard.

With a sweep count value of  $\geq 1$  (*CONF:BTO:SWE:COUN*) and trace mode clear/write (*DISP:WIND:TRAC:MODE WRIT*) the selected number of measurements is performed when a single sweep is started (*INIT:IMM*). During these measurements the minimum and maximum values are determined.

If only a single measurement is performed, the minimum and maximum value will be identical.

**Note:** *This command is only available with active Output Power measurement (command CONF:BTO:MEAS OPOW). With all other measurements this command will lead to a query error.*

**Example:**

```

"INST:SEL BTO" 'activate the Bluetooth option
"INIT:CONT OFF" 'select single sweep operation
"CONF:BTO:CHAN 10" 'select channel 10
"CONF:BTO:GEOG EUR" 'select geographical region Europe
"CONF:BTO:PCL 1" 'select power class 1
"CONF:BTO:BTO:PRAT 4" 'select 4 points per symbol
"CONF:BTO:PTYP DH1" 'select 1 slot packet
"DDEM:SEAR:PULS ON" 'activate the FIND BURST function
"DDEM:SEAR:PULS:OFFS 0s" 'set burst offset = 0
"DDEM:SEAR:SYNC ON" 'activate the FIND SYNC function
"DDEM:SEAR:SYNC:OFFS 0s" 'set the sync offset = 0
"DDEM:SEAR:SYNC:LAP 0" 'set the lower address part = 0
"DDEM:SEAR:TIME:AUTO ON" 'select automatic search length
"CONF:BTO:MEAS OPOW" 'activate the Output Power Measurement
"CONF:BTO:SWE:COUN 20" 'activate measurement over 20 sweeps
"INIT;*WAI" 'start the measurement with synchronisation
"CALC:BTO:OPOW:AVER? MAX" 'query the maximum average value of the
Output Power measurement

```

**Characteristics:** \*RST value: -  
SCPI: device specific

**Mode:** BT



**CALCulate:BT0oth:ACLR[:LIST]?**

This command determines the power of the selected adjacent channels. The number of adjacent channel pairs is defined with command CONF:BT0:ACLR:ACP.

The results are returned as a list of power values. The structure of the list is as follows:

<TX channel – n>...<TX channel – 1> <TX channel> <TX channel + 1>...<TX channel + n>

The number of adjacent channels is limited at the Bluetooth band limits.

**Note:** *This command is only available with active Adjacent Channel Power measurement (command CONF:BT0:MEAS ACLR). With all other measurements this command will lead to a query error.*

<b>Example:</b>	"INST:SEL BTO" "INIT:CONT OFF" "CONF:BT0:MEAS ACLR"  "INIT;*WAI" "CALC:BT0:ACLR?"	'activate the Bluetooth option 'select single sweep operation 'activate the Adjacent Channel Power 'measurement 'start the measurement with synchronisation 'query the power list
-----------------	--	--

**Characteristics:** \*RST value: -  
SCPI: device specific

**Mode:** BT

**CALCulate:BT0oth:ACLR:EXceptions?**

This command determines the number of exceptions which occurred during the adjacent channel power measurement according to the Bluetooth specification.

**Note:** *This command is only available with active Adjacent Channel Power measurement (command CONF:BT0:MEAS ACLR). With all other measurements this command will lead to a query error.*

<b>Example:</b>	"INST:SEL BTO" "INIT:CONT OFF" "CONF:BT0:MEAS ACLR"  "INIT;*WAI" "CALC:BT0:ACLR?" "CALC:BT0:ACLR:EXC?"	'activate the Bluetooth option 'select single sweep operation 'activate the Adjacent Channel Power 'measurement 'start the measurement with synchronisation ' query the power list 'query the number of exceptions
-----------------	--	--

**Characteristics:** \*RST value: -  
SCPI: device specific

**Mode:** BT

## CALCulate:BT0oth:MCHar:DF2:PERCent?

This command determines the percentage of measurements of the frequency deviation, for which the value of  $\Delta f_{2_{\max}}$  is within the allowed range.

**Notes:** *The numeric suffix 1 (...:DF1:Percent?) is not allowed for this command. The command is only available with active Modulation Characteristics measurement (command CONF:BTO:MEAS MCH). With all other measurements this command will lead to a query error.*

**Example:**

"INST:SEL BTO"	'activate the Bluetooth option
"INIT:CONT OFF"	'select single sweep operation
"CONF:BTO:CHAN 10"	'select channel 10
"CONF:BTO:GEOG EUR"	'select geographical region Europe
"CONF:BTO:PCL 1"	'select power class 1
"CONF:BTO:BTO:PRAT 4"	'select 4 points per symbol
"CONF:BTO:PTYP DH1"	'select 1 slot packet
"DDEM:SEAR:PULS ON"	'activate the FIND BURST function
"DDEM:SEAR:SYNC ON"	'activate the FIND SYNC function
"DDEM:SEAR:SYNC:OFFS 0s"	'set the sync offset = 0
"DDEM:SEAR:SYNC:LAP 0"	'set the lower address part = 0
"DDEM:SEAR:TIME:AUTO ON"	'select automatic search length
"CONF:BTO:MEAS MCH"	'activate the Modulation Characteristics measurement
"CONF:BTO:SWE:COUN 20"	'init the sweep counter with 20
'... EUT emits bit pattern 10101010	
"INIT;*WAI"	'start the measurement with synchronisation
"CALC:BTO:MCH:DF2:PERC?"	'query the percentage of "in range" measurements

**Characteristics:** \*RST value: -  
SCPI: device specific

**Mode:** BT

## CALCulate:BT0oth:MCHar:DF&lt;1|2&gt;:AVERage? MINimum | MAXimum

This command determines the average frequency deviation for varying bit patterns of the payload. The assignment of command to frequency deviation and bit pattern is as follows:

Frequency deviation	$\Delta f_{1_{avg}}$	$\Delta f_{2_{avg}}$
Bit pattern	"11110000"	"10101010"
Minimum value	CALC:BT0:MCH:DF1:AVER? MIN	CALC:BT0:MCH:DF2:AVER? MIN
Maximum value	CALC:BT0:MCH:DF1:AVER? MAX	CALC:BT0:MCH:DF2:AVER? MAX

The command INIT:IMM starts a new measurement and erases the previous results. Further measurements can be performed using the command INIT:CONM, which allows calculation of minimum and maximum values over several measurements. Minimum and maximum value will be equal if only one measurement was executed.

With a sweep count value of  $\geq 1$  (CONF:BT0:SWE:COUN) and trace mode clear/write (DISP:WIND:TRAC:MODE WRIT) several measurements will be performed with one single command (INIT:IMM or INIT:CONM). In this case all the measurements will be taken into account for calculation of the minimum / maximum value.

**Note:** The commands are only available with active Modulation Characteristics measurement (command CONF:BT0:MEAS MCH). With all other measurements this command will lead to a query error.

<b>Example:</b>	"INST:SEL BTO "	'activate the Bluetooth option
	"INIT:CONT OFF "	'select single sweep operation
	"CONF:BT0:CHAN 10 "	'select channel 10
	"CONF:BT0:GEOG EUR "	'select geographical region Europe
	"CONF:BT0:PCL 1 "	'select power class 1
	"CONF:BT0:BT0:PRAT 4 "	'select 4 points per symbol
	"CONF:BT0:PTYP DH1 "	'select 1 slot packet
	"DDEM:SEAR:PULS ON "	'activate the FIND BURST function
	"DDEM:SEAR:SYNC ON "	'activate the FIND SYNC function
	"DDEM:SEAR:SYNC:OFFS 0s "	'set the sync offset = 0
	"DDEM:SEAR:SYNC:LAP 0 "	'set the lower address part = 0
	"DDEM:SEAR:TIME:AUTO ON "	'select automatic search length
	"CONF:BT0:MEAS MCH "	'activate the Modulation Characteristics measurement
	"CONF:BT0:SWE:COUN 20 "	'init the sweep counter with 20
	'... EUT emits bit pattern 11110000	
	"INIT:IMM;*WAI "	'start the measurement with synchronisation and erase previous measurement results
	"CALC:BT0:MCH:DF1:AVER? MIN "	'query minimum value "11110000"
	"CALC:BT0:MCH:DF1:AVER? MAX "	'query maximum value "11110000"
	'... EUT emits bit pattern 10101010	
	"INIT:CONM;*WAI "	'start additional measurement with synchronisation
	"CALC:BT0:MCH:DF2:AVER? MIN "	'query minimum value "10101010"
	"CALC:BT0:MCH:DF2:AVER? MAX "	'query maximum value "10101010"

**Characteristics:** \*RST value: -  
SCPI: device specific

**Mode:** BT

**CALCulate:BT0oth:MCHar:DF<1|2>:MAXimum? MINimum | MAXimum | AVERage**

This command determines the maximum frequency deviation for different bit patterns of the payload. The assignment of command to frequency deviation and bit pattern is as follows:

Frequency deviation	$\Delta f_{1_{\max}}$	$\Delta f_{2_{\max}}$
Bit pattern	"11110000"	"10101010"
Minimum value	CALC:BT0:MCH:DF1:MAX? MIN	CALC:BT0:MCH:DF2:MAX? MIN
Maximum value	CALC:BT0:MCH:DF1:MAX? MAX	CALC:BT0:MCH:DF2:MAX? MAX
Average value	CALC:BT0:MCH:DF1:MAX? AVER	CALC:BT0:MCH:DF2:MAX? AVER

The command INIT:IMM starts a new measurement and erases the previous results. Further measurements can be performed using the command INIT:CONM, which allows calculation of minimum and maximum values over several measurements. Minimum, maximum and average value will be equal if only one measurement was executed.

With a sweep count value of  $\geq 1$  (CONF:BT0:SWE:COUN) and trace mode clear/write (DISP:WIND:TRAC:MODE WRIT) several measurements will be performed with one single command (INIT:IMM or INIT:CONM). In this case all the measurements will be taken into account for calculation of the minimum / maximum / average value.

**Note:** The commands are only available with active Modulation Characteristics measurement (command CONF:BT0:MEAS MCH). With all other measurements this command will lead to a query error.

<b>Example:</b>	"INST:SEL BTO"	'activate the Bluetooth option
	"INIT:CONT OFF"	'select single sweep operation
	"CONF:BT0:CHAN 10"	'select channel 10
	"CONF:BT0:GEOG EUR"	'select geographical region Europe
	"CONF:BT0:PCL 1"	'select power class 1
	"CONF:BT0:BT0:PRAT 4"	'select 4 points per symbol
	"CONF:BT0:PTYP DH1"	'select 1 slot packet
	"DDEM:SEAR:PULS ON"	'activate the FIND BURST function
	"DDEM:SEAR:SYNC ON"	'activate the FIND SYNC function
	"DDEM:SEAR:SYNC:OFFS 0s"	'set the sync offset = 0
	"DDEM:SEAR:SYNC:LAP 0"	'set the lower address part = 0
	"DDEM:SEAR:TIME:AUTO ON"	'select automatic search length
	"CONF:BT0:MEAS MCH"	'activate the Modulation Characteristics measurement
	"CONF:BT0:SWE:COUN 20"	'init the sweep counter with 20
	'... EUT emits bit pattern 1111000	
	"INIT:IMM;*WAI"	'start the measurement with synchronisation and erase previous measurement results
	"CALC:BT0:MCH:DF1:MAX? MIN"	'query minimum value "11110000"
	"CALC:BT0:MCH:DF1:MAX? MAX"	'query maximum value "11110000"
	"CALC:BT0:MCH:DF1:MAX? AVER"	'query average value "11110000"
	'... EUT emits bit pattern 10101010	
	"INIT:CONM;*WAI"	'start additional measurement with synchronisation
	"CALC:BT0:MCH:DF2:MAX? MIN"	query minimum value "10101010"
	"CALC:BT0:MCH:DF2:MAX? MAX"	query maximum value "10101010"
	"CALC:BT0:MCH:DF2:MAX? AVER"	query average value "10101010"

**Characteristics:** \*RST value: -  
SCPI: device specific

**Mode:** BT

**CALCulate:BT0oth:MCHar:RATio?** MINimum | MAXimum | AVERage

This command determines the ratio of the average frequency deviations for varying bit patterns of the payload. The assignment of command to frequency deviation and bit pattern is as follows:

Frequency deviation	$\Delta f_{2_{avg}}/\Delta f_{1_{avg}}$
Minimum value	CALC:BT0:MCH:RAT? MIN
Maximum value	CALC:BT0:MCH:RAT? MAX
Average value	CALC:BT0:MCH:RAT? AVER

The command INIT:IMM starts a new measurement and erases the previous results. Further measurements can be performed using the command INIT:CONM, which allows calculation of minimum and maximum values over several measurements. Minimum, maximum and average value will be equal if only one measurement was executed.

With a sweep count value of  $\geq 1$  (CONF:BT0:SWE:COUN) and trace mode clear/write (DISP:WIND:TRAC:MODE WRIT) several measurements will be performed with one single command (INIT:IMM or INIT:CONM). In this case all the measurements will be taken into account for calculation of the minimum / maximum / average value.

**Note:** *The commands are only available with active Modulation Characteristics measurement (command CONF:BT0:MEAS MCH). With all other measurements this command will lead to a query error.*

<b>Example:</b>	"INST:SEL BT0"	'activate the Bluetooth option
	"INIT:CONT OFF"	'select single sweep operation
	"CONF:BT0:CHAN 10"	'select channel 10
	"CONF:BT0:GEOG EUR"	'select geographical region Europe
	"CONF:BT0:PCL 1"	'select power class 1
	"CONF:BT0:BT0:PRAT 4"	'select 4 points per symbol
	"CONF:BT0:PTYP DH1"	'select 1 slot packet
	"DDEM:SEAR:PULS ON"	'activate the FIND BURST function
	"DDEM:SEAR:SYNC ON"	'activate the FIND SYNC function
	"DDEM:SEAR:SYNC:OFFS 0s"	'set the sync offset = 0
	"DDEM:SEAR:SYNC:LAP 0"	'set the lower address part = 0
	"DDEM:SEAR:TIME:AUTO ON"	'select automatic search length
	"CONF:BT0:MEAS MCH"	'activate the Modulation Characteristics measurement
	"CONF:BT0:SWE:COUN 20"	'init the sweep counter with 20
	'... EUT emits bit pattern 1111000	
	"INIT:IMM;*WAI"	'start the measurement with synchronisation and erase previous measurement results
	'... EUT emits bit pattern 10101010	
	"INIT:CONM;*WAI"	'start additional measurement with synchronisation
	"CALC:BT0:MCH:RAT? MIN"	'query the minimum value
	"CALC:BT0:MCH:RAT? MAX"	'query the maximum value
	"CALC:BT0:MCH:RAT? AVER"	'query the average value

**Characteristics:** \*RST value: -  
SCPI: device specific

**Mode:** BT

**CALCulate:BT0oth:ICFTolerance?** MINimum | MAXimum | AVERage

This command determines the Initial Carrier Frequency Tolerance.

With a sweep count value of  $\geq 1$  (*CONF:BT0:SWE:COUN*) and trace mode clear/write (*DISP:WIND:TRAC:MODE WRIT*) several measurements will be performed with one single command (*INIT:IMM* or *INIT:CONM*). In this case all the measurements will be taken into account for calculation of the minimum / maximum / average value.

Minimum, maximum and average value will be equal if only one measurement was executed.

**Note:** *The commands are only available with active Modulation Characteristics measurement (command CONF:BT0:MEAS MCH). With all other measurements this command will lead to a query error.*

<b>Example:</b>	"INST:SEL BTO"	'activate the Bluetooth option
	"INIT:CONT OFF"	'select single sweep operation
	"CONF:BT0:CHAN 10"	'select channel 10
	"CONF:BT0:GEOG EUR"	'select geographical region Europe
	"CONF:BT0:PCL 1"	'select power class 1
	"CONF:BT0:BT0:PRAT 4"	'select 4 points per symbol
	"CONF:BT0:PTYP DH1"	'select 1 slot packet
	"DDEM:SEAR:PULS ON"	'activate the FIND BURST function
	"DDEM:SEAR:SYNC ON"	'activate the FIND SYNC function
	"DDEM:SEAR:SYNC:OFFS 0s"	'set the sync offset = 0
	"DDEM:SEAR:SYNC:LAP 0"	'set the lower address part = 0
	"DDEM:SEAR:TIME:AUTO ON"	'select automatic search length
	"CONF:BT0:MEAS ICFT"	'activate the ICFT Measurement
	"CONF:BT0:SWE:COUN 20"	'init the sweep counter with 20
	"INIT;*WAI"	'start the measurement with synchronisation
	"CALC:BT0:ICFT? MIN"	'query the minimum value
	"CALC:BT0:ICFT? MAX"	'query the maximum value
	"CALC:BT0:ICFT? AVER"	'query the average value

**Characteristics:** \*RST value: -  
SCPI: device specific

**Mode:** BT

**CALCulate:BT0oth:CFDRift[:MAXimum]?**

This command determines the maximum Carrier Frequency Drift.

**Note:** *This command is only available with active Carrier Frequency Drift measurement (command CONF:BT0:MEAS CFDR). With all other measurements this command will lead to a query error.*

**Example:**

"INST:SEL BTO"	'activate the Bluetooth option
"INIT:CONT OFF"	'select single sweep operation
"CONF:BT0:CHAN 10"	'select channel 10
"CONF:BT0:GEOG EUR"	'select geographical region Europe
"CONF:BT0:PCL 1"	'select power class 1
"CONF:BT0:BT0:PRAT 4"	'select 4 points per symbol
"CONF:BT0:PTYP DH1"	'select 1 slot packet
"DDEM:SEAR:PULS ON"	'activate the FIND BURST function
"DDEM:SEAR:SYNC ON"	'activate the FIND SYNC function
"DDEM:SEAR:SYNC:OFFS 0s"	'set the sync offset = 0
"DDEM:SEAR:SYNC:LAP 0"	'set the lower address part = 0
"DDEM:SEAR:TIME:AUTO ON"	'select automatic search length
"CONF:BT0:MEAS CFDR"	'activate the CFDR measurement
"INIT;*WAI"	'start the measurement with synchronisation
"CALC:BT0:CFDR?"	'query the result

**Characteristics:** \*RST value: -  
SCPI: device specific

**Mode:** BT

**CALCulate:BT0oth:CFDRift:RATE?**

This command determines the maximum Carrier Frequency Drift per 50  $\mu$ s.

**Note:** *This command is only available with active Carrier Frequency Drift measurement (command CONF:BT0:MEAS CFDR). With all other measurements this command will lead to a query error.*

**Example:**

"INST:SEL BTO"	'activate the Bluetooth option
"INIT:CONT OFF"	'select single sweep operation
"CONF:BT0:CHAN 10"	'select channel 10
"CONF:BT0:GEOG EUR"	'select geographical region Europe
"CONF:BT0:PCL 1"	'select power class 1
"CONF:BT0:BT0:PRAT 4"	'select 4 points per symbol
"CONF:BT0:PTYP DH1"	'select 1 slot packet
"DDEM:SEAR:PULS ON"	'activate the FIND BURST function
"DDEM:SEAR:SYNC ON"	'activate the FIND SYNC function
"DDEM:SEAR:SYNC:OFFS 0s"	'set the sync offset = 0
"DDEM:SEAR:SYNC:LAP 0"	'set the lower address part = 0
"DDEM:SEAR:TIME:AUTO ON"	'select automatic search length
"CONF:BT0:MEAS CFDR"	'activate the CFDR measurement
"INIT;*WAI"	'start the measurement with synchronisation
"CALC:BT0:CFDR:RATE?"	'query the result

**Characteristics:** \*RST value: -  
SCPI: device specific

**Mode:** BT

**CALCulate:BT0oth:PLENth?**

This command reads the length of the packet analyzed by the preceding measurement.

**Note:** *This command is only available, if a measurement was started via INIT:IMMEDIATE before and if this measurement is completed. With a missing or incomplete measurement the command will cause a query error.*

*This command is only available with measurement of Output Power ((CONF:BT0:MEAS OPOW), Power Control (CONF:BT0:MEAS PCON), Modulation Characteristics (CONF:BT0:MEAS MCH), Initial Carrier Frequency Tolerance (CONF:BT0:MEAS ICFT) and Carrier Frequency Drift (CONF:BT0:MEAS CFDR).*

**Example:**

"INST:SEL BTO"	'activate the Bluetooth option
"INIT:CONT OFF"	'select single sweep operation
"CONF:BT0:MEAS OPOW"	'activate the Output Power Measurement
"INIT;*WAI"	'start the measurement with synchronisation
"CALC:BT0:PLEN?"	'query the packet length

**Characteristics:** \*RST value: -  
SCPI: device specific

**Mode:** BT

**CALCulate:BT0oth:PTYPE?**

This command determines the type of the packet analyzed by a preceding measurement.

**Note:** *This command is only available, if a measurement was started via INIT:IMMEDIATE before and if this measurement is completed. With a missing or incomplete measurement the command will cause a query error.*

*This command is only available with measurement of Output Power ((CONF:BT0:MEAS OPOW), Power Control (CONF:BT0:MEAS PCON), Modulation Characteristics (CONF:BT0:MEAS MCH), Initial Carrier Frequency Tolerance (CONF:BT0:MEAS ICFT) and Carrier Frequency Drift (CONF:BT0:MEAS CFDR).*

**Response:** The following packet types are recognized and returns as character data:  
AUX1, DH1, DH3, DH5, DM1, DM3, DM5, FHS, HV1, HV2, HV3, DV, NULL, POLL, ANDEF

**Example:**

"INST:SEL BTO"	'activate the Bluetooth option
"INIT:CONT OFF"	'select single sweep operation
"CONF:BT0:MEAS OPOW"	'activate the Output Power Measurement
"INIT;*WAI"	'start the measurement with synchronisation
"CALC:BT0:PTYP?"	'query the packet type

**Characteristics:** \*RST value: -  
SCPI: device specific

**Mode:** BT



**CALCulate:BT0oth:STATus?**

This command queries the status of a preceeding measurement.

Results:

0: PASS  
1: FAIL.

**Note:** *This command is only available, if a measurement was started via INIT:IMMediate before and if this measurement is completed. With a missing or incomplete measurement the command will cause a query error.*

**Example:**

"INST:SEL BTO"	'activate the Bluetooth option
"INIT:CONT OFF"	'select single sweep operation
"CONF:BTO:MEAS OBW"	' activate OBW measurement
"INIT;*WAI"	'start the measurement with synchronisation
"CALC:BTO:STAT?"	'query the status

**Characteristics:** \*RST value: -  
SCPI: device specific

**Mode:** BT

## CALCulate:DELTamarker Subsystem

The CALCulate:DELTamarker subsystem controls the delta-marker functions in the instrument. The measurement windows are selected via CALCulate1 (screen A) or 2 (screen B).

COMMAND	PARAMETERS	UNIT	COMMENT
CALCulate<1 2>			
:DELTamarker<1 to 4>			
[:STATe]	<Boolean>	--	
:MODE	ABSolute RELative		
:AOff			no query
:TRACe	<numeric_value>	--	
:X	<numeric_value>	HZ   S   DBM   DB	
:RELative?	--	--	query only
:Y?	--	--	query only
:MAXimum			
[:PEAK]	--	--	no query
:NEXT	--	--	no query
:RIGHT	--	--	no query
:LEFT	--	--	no query
:MINimum			
[:PEAK]	--	--	no query
:NEXT	--	--	no query
:RIGHT	--	--	no query
:LEFT	--	--	no query
:FUNCTion			
:FIXed			
[:STATe]	<Boolean>		
:RPOint			
:Y	<numeric_value>	DBM	
:OFFSet	<numeric_value>	DB	
:X	<numeric_value>	HZ   S	
:PNOise			
[:STATe]	<Boolean>		
:RESult?	--	--	query only

### CALCulate<1|2>:DELTamarker<1 to 4>[:STATe] ON | OFF

This command switches on and off the delta marker when delta marker 1 is selected. The corresponding marker becomes the delta marker when delta marker 2 to 4 is selected. If the corresponding marker is not activated, it will be activated and positioned on the maximum of the measurement curve.

If no numeric suffix is indicated, delta marker 1 is selected automatically.

**Example:** "CALC:DELT3 ON" 'Switches marker 3 in screen A to delta marker mode.'

**Characteristics:** \*RST value: OFF  
SCPI: device-specific

**Mode:** A, GSM/EDGE, FM

**CALCulate<1|2>:DELTamarker<1 to 4>:MODE ABSolute | RELative**

This command switches between relative and absolute frequency input of the delta marker (or time with span = 0). It affects all delta markers independent of the measurement window.

**Example:** "CALC:DELT:MODE ABS" 'Switches the frequency/time indication for all delta markers to absolute values.

"CALC:DELT:MODE REL" 'Switches the frequency/time indication for all 'delta markers to relative to marker 1.

**Characteristics:** \*RST value: REL  
SCPI: device-specific

**Mode:** A, GSM/EDGE, FM

**CALCulate<1|2>:DELTamarker<1 to 4>:AOFF**

This command switches off all active delta markers in the selected measurement window (screen A or screen B).

**Example:** "CALC2:DELT:AOFF" 'Switches off all delta markers in screen B.

**Characteristics:** \*RST value: -  
SCPI: device-specific

**Mode:** A, GSM/EDGE, FM

This command is an event and therefore has no \*RST value and no query.

**CALCulate<1|2>:DELTamarker<1 to 4>:TRACe 1 to 3**

This command assigns the selected delta marker to the indicated measurement curve in the indicated measurement window. The selected measurement curve must be active, i.e. its state must be different from "BLANK".

**Example:** "CALC:DELT3:TRAC 2" 'Assigns deltamarker 3 to trace 2 in screen A.

"CALC:DELT:TRAC 3" 'Assigns deltamarker 1 to trace 3 in screen B.

**Characteristics:** \*RST value: -  
SCPI: device-specific

**Mode:** A, GSM/EDGE, FM

**CALCulate<1|2>:DELTamarker<1 to 4>:X** 0 to MAX (frequency | sweep time)

This command positions the selected delta marker in the indicated measurement window to the indicated frequency (span > 0), time (span = 0) or level (APD measurement = ON or CCDF measurement = ON). The input is in absolute values or relative to marker 1 depending on the command CALCulate:DELTamarker:MODE. If Reference Fixed measurement (CALCulate:DELTamarker:FUNCTion:FIXed:STATE ON) is active, relative values refer to the reference position are entered. The query always returns absolute values.

**Example:**

"CALC:DELT:MOD REL"	'Switches the input for all delta markers to relative to marker 1.
"CALC:DELT2:X 10.7MHz"	'Positions delta marker 2 in screen A '10.7 MHz to the right of marker 1.
"CALC2:DELT:X?"	'Outputs the absolute frequency/time of delta marker 1 in screen B
"CALC2:DELT:X:REL?"	'Outputs the relative frequency/time/level of delta marker 1 in screen B

**Characteristics:** \*RST value: -  
SCPI: device-specific

**Mode:** A, GSM/EDGE, FM

**CALCulate<1|2>:DELTamarker<1 to 4>:X:RELative?**

This command queries the frequency (span > 0) or time (span = 0) of the selected delta marker relative to marker 1 or to the reference position ( for CALCulate:DELTamarker:FUNCTion:FIXed:STATE ON). The command activates the corresponding delta marker, if necessary.

**Example:**

"CALC:DELT3:X:REL?"	'Outputs the frequency of delta marker 3 in screen B relative to marker 1 or relative to the reference position.
---------------------	--

**Characteristics:** \*RST value: -  
SCPI: device-specific

**Mode:** A, GSM/EDGE, FM

**CALCulate<1|2>:DELTamarker<1 to 4>:Y?**

This command queries the measured value of the selected delta marker in the indicated measurement window. The corresponding delta marker will be activated, if necessary. The output is always a relative value referred to marker 1 or to the reference position (reference fixed active).

To obtain a valid query result, a complete sweep with synchronization to the sweep end must be performed between the activation of the delta marker and the query of the y value. This is only possible in single sweep mode.

Depending on the unit defined with `CALC:UNIT` or on the activated measuring functions, the query result is output in the units below:

- DBM | DBPW | DBUV | DBMV | DBUA:            Output unit DB
- WATT | VOLT | AMPere:                        Output unit W | V | A
- Statistics function (APD or CCDF) on:        Dimensionless output
- Result display FM (FS-K7):                    Hz
- Result display RF POWER (FS-K7):            dB
- Result display SPECTRUM (FS-K7):            dB

**Example:**

<code>"INIT:CONT OFF"</code>	'Switches to single-sweep mode.
<code>"CALC:DELT2 ON"</code>	'Switches on delta marker 2 in screen A.
<code>"INIT;*WAI"</code>	'Starts a sweep and waits for its end.
<code>"CALC:DELT2:Y?"</code>	'Outputs measurement value of delta marker 2 in screen A.

**Characteristics:** \*RST value: -  
SCPI: device-specific

**Mode:** A, GSM/EDGE, FM

**CALCulate<1|2>:DELTamarker<1 to 4>:MAXimum[:PEAK]**

This command positions the delta marker to the current maximum value on the measured curve. If necessary, the corresponding delta marker will be activated first.

**Example:**

<code>"CALC2:DELT3:MAX"</code>	'Sets delta marker 3 in screen B to the maximum value of the associated trace.
--------------------------------	--

**Characteristics:** \*RST value: -  
SCPI: device-specific

**Mode:** A, GSM/EDGE, FM

This command is an event and therefore has no \*RST value and no query.

**CALCulate<1|2>:DELTamarker<1 to 4>:MAXimum:NEXT**

This command positions the delta marker to the next smaller maximum value on the measured curve. The corresponding delta marker will be activated first, if necessary.

**Example:**

<code>"CALC1:DELT2:MAX:NEXT"</code>	'Sets delta marker 2 in screen A to the next smaller maximum value.
-------------------------------------	---

**Characteristics:** \*RST value: -  
SCPI: device-specific

**Mode:** A, GSM/EDGE, FM

This command is an event and therefore has no \*RST value and no query.

**CALCulate<1|2>:DELTAmarker<1 to 4>:MAXimum:RIGHT**

This command positions the delta marker to the next smaller maximum value to the right of the current value (i.e. ascending X values). The corresponding delta marker is activated first, if necessary.

**Example:** "CALC2:DELT:MAX:RIGH" 'Sets delta marker 1 in screen B to the next smaller maximum value to the right of the current value.

**Characteristics:** \*RST value: -  
SCPI: device-specific

**Mode:** A, GSM/EDGE, FM

This command is an event and therefore has no \*RST value and no query.

**CALCulate<1|2>:DELTAmarker<1 to 4>:MAXimum:LEFT**

This command positions the delta marker to the next smaller maximum value to the left of the current value (i.e. descending X values). The corresponding delta marker will be activated first, if necessary.

**Example:** "CALC:DELT:MAX:LEFT" 'Sets delta marker 1 in screen A to the next smaller maximum value to the left of the current value.

**Characteristics:** \*RST value: -  
SCPI: device-specific

**Mode:** A, BTS , GSM/EDGE, FM

This command is an event and therefore has no \*RST value and no query.

**CALCulate<1|2>:DELTAmarker<1 to 4>:MINimum[:PEAK]**

This command positions the delta marker to the current minimum value on the measured curve. The corresponding delta marker will be activated first, if necessary.

**Example:** "CALC2:DELT3:MIN" 'Sets delta marker 3 in screen B to the minimum value of the associated trace.

**Characteristics:** \*RST value: -  
SCPI: device-specific

**Mode:** A, BTS , GSM/EDGE, FM

This command is an event and therefore has no \*RST value and no query.

**CALCulate<1|2>:DELTAmarker<1 to 4>:MINimum:NEXT**

This command positions the delta marker to the next higher minimum value of the measured curve. The corresponding delta marker will be activated first, if necessary.

**Example:** "CALC1:DELT2:MIN:NEXT" 'Sets delta marker 2 in screen A to the next higher minimum value.

**Characteristics:** \*RST value: -  
SCPI: device-specific

**Mode:** A, BTS , GSM/EDGE, FM

This command is an event and therefore has no \*RST value and no query.

**CALCulate<1|2>:DELTamarker<1 to 4>:MINimum:RIGHT**

This command positions the delta marker to the next higher minimum value to the right of the current value (i.e. ascending X values). The corresponding delta marker will be activated first, if necessary.

**Example:** "CALC2:DELT:MIN:RIGH" 'Sets delta marker 1 in screen B to the next 'higher minimum value to the right of the current value.

**Characteristics:** \*RST value: -  
SCPI: device-specific

**Mode:** A, BTS , GSM/EDGE, FM

This command is an event and therefore has no \*RST value and no query.

**CALCulate<1|2>:DELTamarker<1 to 4>:MINimum:LEFT**

This command positions the delta marker to the next higher minimum value to the left of the current value (i.e. descending X values). The corresponding delta marker will be activated first, if necessary.

**Example:** "CALC:DELT:MIN:LEFT" 'Sets delta marker 1 in screen A to the next 'higher minimum to the left of the current value.

**Characteristics:** \*RST value: -  
SCPI: device-specific

**Mode:** A, BTS , GSM/EDGE, FM

This command is an event and therefore has no \*RST value and no query.

**CALCulate<1|2>:DELTamarker<1 to 4>:FUNCTION:FIXed[:STATe] ON | OFF**

This command switches the relative measurement to a fixed reference value on or off. Marker 1 will be activated previously and a peak search will be performed, if necessary. If marker 1 is activated, its position becomes the reference point for the measurement. The reference point can then be modified with commands CALCulate:DELTamarker:FUNCTION:FIXed:RPOint:X and to :RPOint:Y independently of the position of marker 1 and of a trace. It is valid for all delta markers in the selected measurement window as long as the function is active.

**Example:** "CALC2:DELT:FUNC:FIX ON" 'Switches on the measurement with fixed 'reference value for all delta markers in 'screen B.

"CALC2:DELT:FUNC:FIX:RPO:X 128 MHZ" 'Sets the reference frequency 'in screen B to 128 MHz.

"CALC2:DELT:FUNC:FIX:RPO:Y 30 DBM" 'Sets the reference level in 'screen B to +30 dBm

**Characteristics:** \*RST value: OFF  
SCPI: device-specific.

**Mode:** A, GSM/EDGE

**CALCulate<1|2>:DELTamarker<1 to 4>:FUNCTION:FIXed:RPOint:MAXimum[:PEAK] <numeric\_value>**

This command sets the reference point level for all delta markers in the selected measurement window for a measurement with fixed reference point (CALC:DELT:FUNC:FIX:STAT ON) to the peak of the selected trace.

For phase-noise measurements (CALCulate:DELTamarker:FUNCTION:PNOise:STATe ON), the command defines a new reference point level for delta marker 2 in the selected measurement window.

**Example:** "CALC:DELT:FUNC:FIX:RPO:MAX"

**Characteristics:** \*RST value: -  
SCPI: device-specific

**Mode:** A, GSM/EDGE

This command is an event and therefore has no \*RST value and no query.

**CALCulate<1|2>:DELTamarker<1 to 4>:FUNCTION:FIXed:RPOint:Y <numeric\_value>**

This command defines a new reference point level for all delta markers in the selected measurement window for a measurement with fixed reference point.  
(CALCulate:DELTamarker:FUNCTION:FIXed:STATe ON).

For phase-noise measurements (CALCulate:DELTamarker:FUNCTION:PNOise:STATe ON), the command defines a new reference point level for delta marker 2 in the selected measurement window.

**Example:** "CALC:DELT:FUNC:FIX:RPO:Y -10dBm" 'Sets the reference point level for  
'delta markers in screen A to -10  
'dBm.

**Characteristics:** \*RST value: - (FUNCTION:FIXed[:STATe] is set to OFF)  
SCPI: device-specific

**Mode:** A, GSM/EDGE

**CALCulate<1|2>:DELTamarker<1 to 4>:FUNCTION:FIXed:RPOint:Y:OFFSet <numeric\_value>**

This command defines an additional level offset for the measurement with fixed reference value (CALCulate:DELTamarker:FUNCTION:FIXed:STATe ON). For this measurement, the offset is included in the display of all delta markers of the selected measurement window.

For phase-noise measurements (CALCulate:DELTamarker:FUNCTION:PNOise:STATe ON), the command defines an additional level offset which is included in the display of delta marker 2 in the selected measurement window.

**Example:** "CALC:DELT:FUNC:FIX:RPO:Y:OFFS 10dB"  
'Sets the level offset for the measurement with fixed reference  
'value or the phase-noise measurement in screen A to 10 dB.

**Characteristics:** \*RST value: 0 dB  
SCPI: device-specific

**Mode:** A, GSM/EDGE



**CALCulate<1|2>:DELTamarker<1 to 4>:FUNCTION:FIXed:RPOint:X** <numeric\_value>

This command defines a new reference frequency (span > 0) or time (span = 0) for all delta markers in the selected measurement window for a measurement with fixed reference value (CALCulate:DELTamarker:FUNCTION:FIXed:STATE ON).

For phase-noise measurements (CALCulate:DELTamarker:FUNCTION:PNOise:STATE ON), the command defines a new reference frequency or time for delta marker 2 in the selected measurement window.

**Example:** "CALC2:DELT:FUNC:FIX:RPO:X 128MHZ" 'Sets the reference frequency in 'screen B to 128 MHz.

**Characteristics:** \*RST value: - (FUNCTION:FIXed[:STATE] is set to OFF)  
SCPI: device-specific

**Mode:** A, GSM/EDGE

**CALCulate<1|2>:DELTamarker<1 to 4>:FUNCTION:PNOise[:STATE]** ON | OFF

This command switches on or off the phase-noise measurement with all active delta markers in the selected measurement window. The correction values for the bandwidth and the log amplifier are taken into account in the measurement.

Marker 1 will be activated, if necessary, and a peak search will be performed. If marker 1 is activated, its position becomes the reference point for the measurement.

The reference point can then be modified with commands CALCulate:DELTamarker:FUNCTION:FIXed:RPOint:X and ...:RPOint:Y independently of the position of marker 1 and of a trace (the same commands used for the measurement with fixed reference point).

The numeric suffix <1 to 4> with DELTAmarker is not relevant for this command.

**Note:** *This command is not available during GSM measurements.*

**Example:** "CALC:DELT:FUNC:PNO ON" 'Switches on the phase-noise measurement 'with all delta markers in screen A.  
"CALC:DELT:FUNC:FIX:RPO:X 128 MHZ" 'Sets the reference frequency 'to 128 MHz.  
"CALC:DELT:FUNC:FIX:RPO:Y 30 DBM" 'Sets the reference level to '+30 dBm

**Characteristics:** \*RST value: OFF  
SCPI: device-specific

**Mode:** A

**CALCulate<1|2>:DELTamarker<1 to 4>:FUNCTION:PNOise:RESult?**

This command queries the result of the phase-noise measurement in the selected measurement window. The measurement will be switched on, if necessary.

**Note:** *This command is not available during GSM measurements.*

**Example:** "CALC:DELT:FUNC:PNO:RES?" 'Outputs the result of phase-noise 'measurement of the selected delta marker in 'screen A.

**Characteristics:** \*RST value: -  
SCPI: device-specific

**Mode:** A

This command is only a query and therefore has no \*RST value.

## CALCulate:FEED Subsystem

The CALCulate:FEED subsystem selects the type of evaluation of the measured data. This corresponds to the selection of the Result Display in manual mode.

If the FM demodulator is active, the selection of the type of evaluation is independent of the measurement window. Therefore, the numeric suffix <1|2> is irrelevant and ignored.

Command	Parameter	Unit	Comment
CALCulate<1 2>: :FEED	<string>		no query

### CALCulate<1|2>:FEED <string>

This command selects the measured data that are to be displayed.

**Note:** *The WCDMA/cdma2000/1xEV-DO code domain power measurements (option R&S FS-K72/K73, FS-K82 and FS-K84) are always displayed in split screen and the assignment between the display mode and the measurement window is fixed. For this reason, the numeric suffix which is required or permitted under CALCulate is given in brackets for each display mode in this operating mode. To activate the overview for R&S FS-K84 code domain power and code domain error power, use the CDP:OVER ON command. If a different evaluation is activated (e.g. channel assignment table), the overview mode will be quit and the evaluation used last will be restored in the other screen.*

#### Parameters for option FS-K7 FM Demodulator:

<string>::=

'XTIM:AM'	Demodulated AM signal in level display. Equivalent to 'XTIM:RFPower'.
'XTIM:RFPower[:TDOMain]'	Demodulated AM signal in level display.
'XTIM:RFPower:AFSPpectrum<1...3>'	AF spectrum of demodulated AM signal; results referenced to trace 1 to 3.
'XTIM:FM[:TDOMain]'	Demodulated FM signal.
'XTIM:SPECTrum'	RF spectrum of FM signal determined from the measured data by means of FFT.
'XTIM:AMSummary<1 to 3>'	AM results, referred to trace 1 to 3.
'XTIM:FMSummary<1 to 3>'	FM results, referred to trace 1 to 3

#### Parameters for option FS-K72/K73 WCDMA 3G FDD BTS/UE:

The value in parentheses (CALC1) or (CALC2) indicates which command string is required in order to match the parameter selected (<string>).

<string>::=

'XPOW:CDP'	Bargraph result display of code domain power (absolute)(CALC1)
'XPOW:CDP:RATio'	Bargraph result display of code domain power ratio (relative) (CALC1)
'XPOW:CDP:OVERview'	Overview, screen A displays CDP Rel I, screen B CDP Q (option FS-K73 only)
'XTIM:CDP:ERR'	Bargraph result display of timing error

'XTIM:CDP:ERR:PHASe'	Bargraph result display of phase error
'XTIM:CDP:ERR:SUMM'	Display of results in tabular form (CALC2)
'XTIM:CDP:ERR:CTABle'	Display of channel table (CALC1)
'XTIM:CDP:ERR:PCDomain'	Result display of peak code domain error (CALC2)
'XTIM:CDP:MACCuracy'	Result display of modulation accuracy (CALC2)
'XTIM:CDP:PVSLOT'	Result display of power versus slot (CALC2)
'XTIM:CDP:PVSymbol'	Result display of power versus symbol (CALC2)
'XTIM:CDP:PVSymbol'	Result display of power versus symbol (CALC2)
'XTIM:CDP:BSTReam'	Result display of bitstream (CALC2)
'XTIM:CDP:SYMB:CONStellation'	Result display of symbol constellation (CALC2)
'XTIM:CDP:SYMB:EVM'	Result display of vector magnitude error (CALC2)

**Parameters for option FS-K82 cmda2000 BTS and FS-K84 1xEV-DO BTS:**

**The value in parentheses (CALC1) or (CALC2) indicates which command string is required in order to match the parameter selected (<string>).**

<string>::=

'XPOW:CDP'	Result display of the code domain power (absolute) in the bar graph (CALCulate<1>)
'XPOW:CDP:RAT'	Result display of the code domain power ratio (relative) in the gar graph (CALCulate<1>)
'XPOW:CDEP'	Result display of the code domain power in the bar graph (CALCulate<1>)
'XTIM:CDP:ERR:SUMM'	Tabular display of results (CALCulate2)
'XTIM:CDP:ERR:CTABle'	Display of the channel occupancy table (CALCulate<1>)
'XTIM:CDP:ERR:PCDomain'	Result display of the peak code domain error (CALCulate2)
'XTIM:CDP:MACCuracy'	Result display of the COMPOSITE EVM (CALCulate2)
'XTIM:CDP:PVSLOT'	Result display of power versus power control group (CALCulate2)
'XTIM:CDP:PVChip'	Result display of power versus chip (CALCulate2)
'XTIM:CDP:PVSymbol'	Result display of power versus symbol (CALCulate2)
'XTIM:CDP:BSTReam'	Result display of bit stream (CALCulate2)
'XTIM:CDP:SYMB:CONStellation'	Result display of symbol constellation (CALCulate2)
'XTIM:CDP:SYMB:EVM'	Result display of error vector magnitude (CALCulate2)
'XTIM:CDP:COMP:CONStellation'	Result display of composite constellation (CALCulate2)

<b>Example FS-K7:</b>	"INST:SEL ADEM" "CALC:FEED `XTIM:FM`"	'Activate FM demodulator 'Selects the display of the FM signal
<b>Example FS-K72:</b>	"INST:SEL BWCD" "INIT:CONT OFF" "CALC2:FEED `XPOW:CDP`" "INIT;*WAI" "TRAC? TRACE2"	'Activate WCDMA 3GPP BTS 'Select single sweep 'Select CDP display 'Start measurement with synchronization 'Query COMP EVM data
<b>Example FS-K73:</b>	"INST:SEL MWCD" "INIT:CONT OFF" "CALC2:FEED `XPOW:CDP`" "INIT;*WAI" "TRAC? TRACE2"	'Activate WCDMA 3GPP MS 'Select single sweep 'Selects the CDP display 'Start measurement with synchronization 'Query COMP EVM data
<b>Example FS-K82:</b>	"INST:SEL BC2K" "INIT:CONT OFF" "CALC2:FEED `XTIM:CDP:MACC`" "INIT;*WAI" "TRAC? TRACE2"	'Activate cdma2000 BTS 'Select single sweep 'Select COMP EVM evaluation 'Start measurement with synchronization 'Query COMP EVM data
<b>Example FS-K84:</b>	"INST:SEL BDO" "INIT:CONT OFF" "CALC2:FEED `XTIM:CDP:MACC`" "INIT;*WAI" "TRAC? TRACE2"	'Activate 1xEV-DO BTS 'Select single sweep 'Select COMP EVM evaluation 'Start measurement with synchronization 'Query COMP EVM data
<b>Characteristics:</b>	*RST value: "XPOW:CDP:RAT" (CALCulate<1>) (FS-K72/73/82) "XTIM:CDP:ERR:SUMM" (CALCulate<2>) (FS-K72/73/82) SCPI: conforming	
<b>Mode:</b>	FM, 3G FDD , cdma2000 BTS, 1xEV-DO BTS	

This command is only available with options FS-K72 (WCDMA 3G FDD BTS) and FS-K73 (WCDMA 3G FDD BTS), option FS-K82 (cdma2000 BTS) and option FS-K84 (1xEV-DO BTS).

## CALCulate:LIMit Subsystem

The CALCulate:LIMit subsystem consists of the limit lines and the corresponding limit checks. Limit lines can be defined as upper or lower limit lines. The individual Y values of the limit lines correspond to the values of the X axis (CONTRol). The number of X and Y values must be identical.

8 limit lines can be active at the same time (marked by LIMIT1 to LIMIT8) in screen A and/or screen B. The measurement windows is selected via CALCulate 1 (screen A) or 2 (screen B).

The limit check can be switched on separately for each measurement screen and limit line. WINDow1 corresponds to screen A, WINDow2 to screen B.

Each limit line can be assigned a name (max. 8 letters) under which the line is stored in the instrument. An explanatory comment can also be given for each line (max. 40 characters).

### Example (analyzer mode):

Definition and use of a new limit line 5 for trace 2 in screen A and trace 1 in screen B with the following features:

- upper limit line
- absolute X axis in the frequency domain
- 5 ref. values: 126 MHz/-40 dB, 127 MHz/-40 dB, 128 MHz/-20 dB, 129 MHz/-40 dB, 130 MHz/-40 dB
- relative Y axis with unit dB
- absolute threshold value at -35 dBm
- no safety margin

### Definition of the line:

- |                                     |   |
|-------------------------------------|---|
| 1. Defining the name:               | CALC:LIM5:NAME 'TEST1'                                    |
| 2. Entering the comment:            | CALC:LIM5:COMM 'Upper limit line'                         |
| 3. Associated trace in screen A:    | CALC1:LIM5:TRAC 2   |
| 4. Associated trace in screen B:    | CALC2:LIM5:TRAC 1   |
| 5. Defining the X axis range:       | CALC:LIM5:CONT:DOM FREQ                                   |
| 6. Defining the X axis scaling:     | CALC:LIM5:CONT:MODE ABS                                   |
| 7. Defining the Y axis unit:        | CALC:LIM5:UNIT DB   |
| 8. Defining the Y axis scaling:     | CALC:LIM5:UPP:MODE REL                                    |
| 9. Defining the X axis values:      | CALC:LIM5:CONT 126MHZ, 127MHZ, 128MHZ,<br>129 MHZ, 130MHZ |
| 10. Defining the y values:          | CALC:LIM5:UPP -40, -40, -30, -40, -40                     |
| 11. Defining the y threshold value: | CALC:LIM5:UPP:THR -35DBM                                  |

The definition of the safety margin and shifting in X and/or Y direction can take place as from here (see commands below).

### Switching on and evaluating the line in screen A:

- |   |                        |
|---|------------------------|
| 1. Switching on the line in screen A:               | CALC1:LIM5:UPP:STAT ON |
| 2. Switching on the limit check in screen A:        | CALC1:LIM5:STAT ON     |
| 3. Starting a new measurement with synchronization: | INIT;*WAI              |
| 4. Querying the limit check result:                 | CALC1:LIM5:FAIL?       |

Switching on and evaluating the line in screen B is performed in the same way by using CALC2 instead of CALC1.

- Note:** - This subsystem is not available for GSM/EDGE measurements modulation accuracy (MAC) and phase frequency error (PFE) (option FS-K5).
- The names of the limit lines for GSM/EDGE measurements are fixed. The names must be assigned by the user prior to their use:

```
CALCulate1:LIMit1:NAME 'xxxU_yz' or
CALCulate1:LIMit2:NAME 'xxxL_yz'

xxx = measurement          (PVT / CPW / MOD / TRA)
U   = upper limit line     (PVT / CPW / MOD / TRA)
L   = lower limit line     (PVT / CPW)
y   = modulation type      (_G = GMSK / _E = EDGE)
z   = for all measurements blank, only
      for PVT in multislot:
          active slots      (blank = 1 active slot
                             2     = 2 active slots
                             3     = 3 active slots
                             4     = 4 active slots)
```

```
Query:    CALC1:LIM1:FAIL?
          CALC1:LIM2:FAIL?
```

```
Example:
CPWU_G =   upper limit line for Carrier Power measurement,
           Modulation type GMSK
PVTL_E3 =   lower limit line for Power versus Time measurement,
           Modulation type EDGE, multislot: 3 active slots
```

COMMAND	PARAMETERS	UNIT	COMMENT
CALCulate<1 2>			
:LIMit<1 to 8>			
:TRACe	<numeric_value>		
:STATe	<Boolean>	--	
:UNIT	DBM   DBPW   WATT   DBUV   DBMV   VOLT   DBUA   AMPere   DB   DBUV_M   DBUA_M   DEG   RAD   S   HZ   PCT   UNITLESS		
:FAIL?		--	query only
:CLEAr			
[:IMMediate]	--	--	no query
:COMMeNt	<string>	--	
:COpy	1 to 8   < name>	--	
:NAME	<string>		
:DELete	--		

**CALCulate<1|2>:LIMit<1 to 8>:TRACe 1 to 3**

This command assigns a limit line to a trace in the indicated measurement window.

**Examples:** "CALC:LIM2:TRAC 3" Assigns limit line 2 to trace 3 in screen A.  
 "CALC2:LIM2:TRAC 1" Assigns limit line 2 to trace 1 in screen B at the same time.

**Characteristics:** \*RST value: 1  
 SCPI: device-specific

**Mode:** A, GSM/EDGE, FM

**CALCulate<1|2>:LIMit<1 to 8>:STATe** ON | OFF

This command switches on or off the limit check for the selected limit line in the selected measurement window.

The result of the limit check can be queried with `CALCulate:LIMit<1 to 8>:FAIL?`.

**Example:**

<code>"CALC:LIM:STAT ON"</code>	'Switches on the limit check for limit line 1 in screen A.
<code>"CALC2:LIM:STAT OFF"</code>	'Switches off the limit check for limit line 1 in screen B.

**Characteristics:** \*RST value: OFF  
SCPI: conforming

**Mode:** A, BTS, GSM/EDGE, FM

**CALCulate<1|2>:LIMit<1 to 8>:UNIT** DBM | DBPW | WATT | DBUV | DBMV | VOLT |DBUA | AMPere | DB | DEG | RAD | S | HZ | PCT | UNITLESS

This command defines the unit of the selected limit line.

The definition is valid independently of the measurement window.

Upon selection of the unit DB the limit line is automatically switched to the relative mode. For units different from DB the limit line is automatically switched to absolute mode.

The units DEG, RAD, S, HZ, PCT are not available in *SPECTRUM* mode.

**Example:** `"CALC:LIM4:UNIT DBUV"` 'Sets the unit of limit line 4 to dB $\mu$ V.

**Characteristics:** \*RST value: DBM  
SCPI: device-specific

**Mode:** A, GSM/EDGE, FM

**CALCulate<1|2>:LIMit<1 to 8>:FAIL?**

This command queries the result of the limit check of the limit line indicated in the selected measurement window. It should be noted that a complete sweep must have been performed for obtaining a valid result. A synchronization with \*OPC, \*OPC? or \*WAI should therefore be provided. The result of the limit check responds with 0 for PASS, 1 for FAIL, and 2 for MARGIN.

**Example:**

<code>"INIT; *WAI"</code>	'Starts a new sweep and waits for its end.
<code>"CALC2:LIM3:FAIL?"</code>	'Queries the result of the check for limit line 3 in screen B.

**Characteristics:** \*RST value: -  
SCPI: conforming

**Mode:** A, GSM/EDGE, FM

**CALCulate<1|2>:LIMit<1 to 8>:CLEar[:IMMediate]**

This command deletes the result of the current limit check for all limit lines in the selected measurement window.

**Example:** `"CALC:LIM:CLE"` 'Deletes the result of the limit check in screen A

**Characteristics:** \*RST value: -  
SCPI: conforming

**Mode:** A, GSM/EDGE, FM

This command is an event and therefore has no \*RST value.





## CALCulate:LIMit:SPECtrum Subsystem

The CALCulate:LIMit:SPECtrum subsystem defines the limit check for the spectral measurements of the options WCDMA 3G FDD BTS and UE (options FS-K72 and K73), cdma2000 BTS (option FS-K82) and 1xEV-DO BTS (option FS-K84).

COMMAND	PARAMETERS	UNIT	COMMENT
CALCulate<1 2> LIMit<1...8> :ESpectrum :MODE :VALue :RESTore	AUTO   MANual   USER <numeric_value>	DBM	Option FS-K72, FS-K73

### CALCulate<1|2>:LIMit<1...8>:ESpectrum:MODE AUTO | MANual | USER

This command enables or disables the automatic selection of the limit line for the spectrum emission mask measurement.

This command is only available in conjunction with the options FS-K72 (WCDMA 3G FDD BTS) and FS-K73 (WCDMA 3G FDD UE), cdma2000 BTS (Option FS-K82) and 1xEV-DO BTS (Option FS-K84)..

The numeric suffixes <1|2> or <1 to 8> are irrelevant for this command.

**Parameter:**

AUTO	The limit line depends on the channel power measured.
MANUAL	One of the four default limit lines is selected by means of the command CALC:LIM:ESP:VAL
USER	Query only, user-defined limit lines being enabled (see description of limit lines in the manual for the option)

**Example FS-K72:** "INST BWCD" 'Switches the instrument to the WCDMA Downlink mode  
":CALC:LIM:ESP:MODE AUTO" 'Activates automatic limit line selection"

**Example FS-K82:** "INST:SEL BC2K" 'Activate cdma2000 BTS  
"INIT:CONT OFF" 'Select single sweep  
"CONF:CDP:BCL 1" 'Select band class 1, 1900 MHz  
"CONF:CDP:MEAS ESP" 'Measure spectrum emission  
'Select mask  
"CALC:LIM:ESP:MODE AUTO" 'Activates automatic selection of limit line  
"INIT;\*WAI" 'Start measurement with sync  
"CALC:LIM:FAIL?" 'Query result of the limit check

**Example FS-K84:** "INST:SEL BDO" 'Activate 1xEV-DO BTS  
"INIT:CONT OFF" 'Select single sweep  
"CONF:CDP:BCL 1" 'Select band class 1, 1900 MHz  
"CONF:CDP:MEAS ESP" 'Measure spectrum emission  
'Select mask  
"CALC:LIM:ESP:MODE AUTO" 'Activates automatic selection of limit line  
"INIT;\*WAI" 'Start measurement with sync  
"CALC:LIM:FAIL?" 'Query result of the limit check

**Characteristics:** \*RST value: AUTO  
SCPI: device-specific

**Mode:** 3G FDD, cdma2000 BTS, 1xEV-DO BTS

**Command for option FS-K72/K73 WCDMA 3G FDD BTS/UE:****CALCulate<1|2>:LIMit<1...8>:ESPectrum:VALue <numeric\_value>**

This command switches over to manual limit line selection. The limit line is selected by entering the expected power. Depending on the value entered, one of four possible limit lines is activated:

Specified value in dBm	Selected limit line	Return value
value $\geq$ 43	"P $\geq$ 43"	43
39 $\leq$ value < 43	"39 $\leq$ P < 43"	39
31 $\leq$ value < 39	"31 $\leq$ P < 39"	31
value < 31	"P < 31"	0

This command is only available in conjunction with the options FS-K72 (WCDMA 3G FDD BTS) and FS-K73 (WCDMA 3G FDD UE).

The numeric suffixes <1|2> or <1 to 8> are irrelevant for this command.

**Example:** "INST BWCD" 'Switches the instrument to the WCDMA Downlink mode  
":CALC:LIM:ESP:VAL 39" Selects the limit line "39  $\leq$  P < 43"

**Characteristics:** \*RST value: 0  
SCPI: device-specific

**Mode:** 3G FDD

**Command for option FS-K82 cdma2000 BTS:****CALCulate:LIMit:ESPectrum:VALue <numeric\_value>**

This command switches to manual limit line selection. The limit line is selected by specifying the expected power as a value. One of the four possible limit lines is selected depending on the value entered:

Specified value in dBm	Selected limit line	Value when queried
Value $\geq$ 33	"P $\geq$ 33"	33
28 $\geq$ value < 33	"28 $\leq$ P < 33"	28
Value < 28	"P < 28"	0

**Example:** "INST:SEL BC2K" 'Activate cdma2000 BTS  
"INIT:CONT OFF" 'Select single sweep  
"CONF:CDP:BCL 1" 'Select band class 1, 1900 MHz  
"CONF:CDP:MEAS ESP" Select spectrum emission mask  
'measurement  
"CALC:LIM:ESP:VALue 33" 'Activates manual selection of the  
'limit line and selects the one for P $\geq$ 33  
"INIT;\*WAI" 'Start measurement with 'synchronization  
"CALC:LIM:FAIL?" 'Query result of the limit check

**Features:** \*RST value: 0  
SCPI: device-specific

**Command for option FS-K84 1xEV-DO BTS:****:CALCulate:LIMit:ESpectrum:VALue** <numeric\_value>

This command switches to manual limit line selection. The limit line is selected by specifying the expected power as a value. One of the four possible limit lines is selected depending on the value entered:

Specified value in dBm	Selected limit line	Value when queried
Value $\geq$ 33	"P $\geq$ 33"	33
28 $\leq$ value < 33	"28 $\leq$ P < 33"	28
Value < 28	"P < 28"	0

**Example:**

"INST:SEL BDO"	'Activate 1xEV-DO BTS
"INIT:CONT OFF"	'Select single sweep
"CONF:CDP:BCL 1"	'Select band class 1, 1900 MHz
"CONF:CDP:MEAS ESP"	'Measure spectrum emission
	'Select mask
"CALC:LIM:ESP:VALue 33"	'Activates manual selection of the limit line and selects the <b>one</b> for P $\geq$ 33
"INIT;*WAI"	'Start measurement with sync
"CALC:LIM:FAIL?"	'Query result of the limit check

**Features:** \*RST value:0  
SCPI: device-specific

**Mode:** 3G FDD, cdma2000 BTS, 1xEV-DO BTS:1xEV-DO BTS

**CALCulate<1|2>:LIMit<1...8>:ESpectrumRESTore**

This command restores the standard limit lines for the spectrum emission mask measurement. All modifications made to the standard limit lines are lost and the default setting valid upon delivery is restored.

This command is only available in conjunction with the options FS-K72 (WCDMA 3G FDD BTS) and FS-K73 (WCDMA 3G FDD UE), cdma2000 BTS (Option FS-K82) and 1xEV-DO BTS (Option FS-K84).

The numeric suffixes <1|2> or <1 to 8> are irrelevant for this command.

**Example:**

"INST BWCD"	' Switches the instrument to the WCDMA Downlink mode
"CALC:LIM:ESP:REST"	' Sets the spectrum emission mask limit lines back to the default setting

**Characteristics:** \*RST value: --  
SCPI: device-specific

**Mode:** 3G FDD, cdma2000 BTS, 1xEV-DO BTS

This command is an event and therefore has no \*RST value and no query.

**CALCulate:LIMit:ACPower Subsystem**

The CALCulate:LIMit:ACPower subsystem defines the limit check for adjacent channel power measurement.

COMMAND	PARAMETERS	UNIT	COMMENT
CALCulate<1 2> LIMit<1 to 8> :ACPower [:STATe] :ACHannel [:RELative] :STATe :ABSolute :STATe :RESult? :ALternate<1 2> [:RELative] :STATe :ABSolute :STATe :RESult?	<Boolean>  <numeric_value>, <numeric_value> <Boolean> <numeric_value>, <numeric_value> <Boolean> --  <numeric_value>, <numeric_value> <Boolean> <numeric_value>, <numeric_value> <Boolean> --	   DB, DB  DBM, DBM    DB, DB  DBM, DBM    DB, DB  DBM, DBM   --	       query only             query only

**CALCulate<1|2>:LIMit<1 to 8>:ACPower[:STATe] ON | OFF**

This command switches on and off the limit check for adjacent channel power measurements in the selected measurement window. The commands CALCulate:LIMit:ACPower:ACHannel:STATe or CALCulate:LIMit:ACPower:ALternate:STATe must be used in addition to specify whether the limit check is to be performed for the upper/lower adjacent channel or for the alternate adjacent channels. The numeric suffixes <1 to 8> are irrelevant for this command.

**Example:** "CALC:LIM:ACP ON" 'Switches on the ACP limit check in screen A.

**Characteristics:** \*RST value: OFF  
SCPI: device-specific

**Mode:** A

**CALCulate<1|2>:LIMit<1 to 8>:ACPower:ACHannel[:RELative] 0 to 100dB, 0 to 100dB**

This command defines the relative limit of the upper/lower adjacent channel for adjacent channel power measurements in the selected measurement window. The reference value for the relative limit value is the measured channel power.

It should be noted that the relative limit value has no effect on the limit check as soon as it is below the absolute limit value defined with CALCulate:LIMit:ACPower:ACHannel:ABSolute. This mechanism allows automatic checking of the absolute basic values of adjacent channel power as defined in mobile radio standards.

The numeric suffixes <1 to 8> are irrelevant for this command.

**Parameter:** The first numeric value is the limit for the upper (lower) adjacent channel. The second value is ignored but must be indicated for reasons of compatibility with the FSE family.

**Example:** "CALC:LIM:ACP:ACH 30DB, 30DB" 'Sets the relative limit value in 'screen A for the power in the lower 'and upper adjacent channel to '30 dB below the channel power.

**Characteristics:** \*RST value: 0 dB  
SCPI: device-specific

**Mode:** A

**CALCulate<1|2>:LIMit<1 to 8>:ACPpower:ACHannel[:RELative]:STATe ON | OFF**

This command activates the limit check for the relative limit value of the adjacent channel when adjacent channel power measurement is performed. Before the command, the limit check must be activated using `CALCulate:LIMit:ACPpower:STATe ON`.

The result can be queried with `CALCulate:LIMit:ACPpower:ACHannel:RESult?`. It should be noted that a complete measurement must be performed between switching on the limit check and the result query, since otherwise no valid results are available.

The numeric suffixes <1 to 8> are irrelevant for this command.

**Example:**

<code>"CALC:LIM:ACP:ACH 30DB, 30DB"</code>	'Sets the relative limit value in screen A for the power in the lower and upper adjacent channel to 30 dB below the channel power.'
<code>"CALC:LIM:ACP:ACH:ABS -35DBM, -35DBM"</code>	'Sets the absolute limit value in screen A for the power in the lower and upper adjacent channel to -35 dBm.'
<code>"CALC:LIM:ACP ON"</code>	'Switches on globally the limit check for the channel/adjacent channel measurement in screen A.'
<code>"CALC:LIM:ACP:ACH:REL:STAT ON"</code>	'Switches on the check of the relative limit values for adjacent channels in screen A.'
<code>"CALC:LIM:ACP:ACH:ABS:STAT ON"</code>	'Switches on the check of absolute limit values for the adjacent channels in screen A.'
<code>"INIT;*WAI"</code>	'Starts a new measurement and waits for the sweep end.'
<code>"CALC:LIM:ACP:ACH:RES?"</code>	'Queries the limit check result in the adjacent channels in screen A.'

**Characteristics:** \*RST value: OFF  
SCPI: device-specific

**Mode:** A

**CALCulate<1|2>:LIMit<1 to 8>:ACPpower:ACHannel:ABSolute -200DBM to 200DBM, -200 to 200DBM**

This command defines the absolute limit value for the lower/upper adjacent channel during adjacent-channel power measurement (Adjacent Channel Power) in the selected measurement window.

It should be noted that the absolute limit value has no effect on the limit check as soon as it is below the relative limit value defined with `CALCulate:LIMit:ACPpower:ACHannel:RELative`. This mechanism allows automatic checking of the absolute basic values of adjacent channel power as defined in mobile radio standards.

The numeric suffixes <1 to 8> in LIMit are irrelevant for this command.

**Parameter:** The first value is the limit for the lower and the upper adjacent channel. The second limit value is ignored but must be indicated for reasons of compatibility with the FSE family.

**Example:**

<code>"CALC:LIM:ACP:ACH:ABS -35DBM, -35DBM"</code>	'Sets the absolute limit value in screen A for the power in the lower and upper adjacent channel to -35 dBm.'
--	---

**Characteristics:** \*RST value: -200DBM  
SCPI: device-specific

**Mode:** A

**CALCulate<1|2>:LIMit<1 to 8>:ACPpower:ACHannel:ABSolute:STATe ON | OFF**

This command activates the limit check for the adjacent channel when adjacent-channel power measurement (Adjacent Channel Power) is performed. Before the command, the limit check for the channel/adjacent-channel measurement must be globally switched on using `CALC:LIM:ACP ON`. The result can be queried with `CALCulate:LIMit:ACPpower:ACHannel:RESult?`. It should be noted that a complete measurement must be performed between switching on the limit check and the result query, since otherwise no valid results are available.

The numeric suffixes <1 to 8> in LIMit are irrelevant for this command.

**Example:**

" <code>CALC:LIM:ACP:ACH 30DB, 30DB</code> "	'Sets the relative limit value in screen A for the power in the lower and upper adjacent channel to 30 dB below the channel power.
" <code>CALC:LIM:ACP:ACH:ABS -35DBM, -35DBM</code> "	'Sets the absolute limit value in screen A for the power in the lower and upper adjacent channel to -35 dBm.
" <code>CALC:LIM:ACP ON</code> "	'Switches on globally the limit check for the channel/adjacent channel measurement in screen A.
" <code>CALC:LIM:ACP:ACH:REL:STAT ON</code> "	'Switches on the check of the relative limit values for adjacent channels in screen A.
" <code>CALC:LIM:ACP:ACH:ABS:STAT ON</code> "	'Switches on the check of absolute limit values for the adjacent channels in screen A.
" <code>INIT;*WAI</code> "	'Starts a new measurement and waits for the sweep end.
" <code>CALC:LIM:ACP:ACH:RES?</code> "	'Queries the limit check result in the adjacent channels in screen A.

**Characteristics:** \*RST value: OFF  
SCPI: device-specific

**Mode:** A

**CALCulate<1|2>:LIMit<1 to 8>:ACPpower:ACHannel:RESult?**

This command queries the result of the limit check for the upper/lower adjacent channel in the selected measurement window when adjacent channel power measurement is performed.

If the power measurement of the adjacent channel is switched off, the command produces a query error.

The numeric suffixes <1 to 8> are irrelevant for this command.

**Parameter:** The result is returned in the form <result>, <result> where <result> = PASSED | FAILED, and where the first returned value denotes the lower, the second denotes the upper adjacent channel.

**Example:**

"CALC:LIM:ACP:ACH 30DB, 30DB"	'Sets the relative limit value in screen A for the power in the lower and upper adjacent channel to 30 dB below the channel power.
"CALC:LIM:ACP:ACH:ABS -35DBM, -35DBM"	Sets the absolute limit value in screen A for the power in the lower and upper adjacent channel to -35 dB.
"CALC:LIM:ACP ON"	'Switches on globally the limit check for the channel/adjacent channel measurement in screen A.
"CALC:LIM:ACP:ACH:STAT ON"	'Switches on the limit check for the adjacent channels in screen A.
"INIT;*WAI"	'Starts a new measurement and waits for the sweep end.
"CALC:LIM:ACP:ACH:RES?"	'Queries the limit check result in the adjacent channels in screen A.

**Characteristics:** \*RST value: --  
SCPI: device-specific

**Mode:** A

This command is a query and therefore has no \*RST value.

**CALCulate<1|2>:LIMit<1 to 8>:ACPower:ALternate<1|2>[:RELative]** 0 to 100dB, 0 to 100dB.

This command defines the limit for the first/second alternate adjacent channel in the selected measurement window for adjacent channel power measurements. The reference value for the relative limit value is the measured channel power.

The numeric suffix after **ALternate<1|2>** denotes the first or the second alternate channel. The numeric suffixes <1 to 8> are irrelevant for this command.

It should be noted that the relative limit value has no effect on the limit check as soon as it is below the absolute limit defined with **CALCulate:LIMit:ACPower:ALternate<1|2>:ABSolute**. This mechanism allows automatic checking of the absolute basic values of adjacent channel power as defined in mobile radio standards.

**Parameter:** The first value is the limit for the lower and the upper alternate adjacent channel. The second limit value is ignored but must be indicated for reasons of compatibility with the FSE family.

**Example:** "CALC:LIM:ACP:ALT2 30DB, 30DB" 'Sets the relative limit value in 'screen A for the power in the lower 'and upper alternate adjacent 'channel to 30 dB below the channel 'power.

**Characteristics:** \*RST value: 0DB  
SCPI: device-specific

**Mode:** A



**CALCulate<1|2>:LIMit<1 to 8>:ACPpower:ALternate<1|2>[:RELative]:STATe ON | OFF**

This command activates the limit check for the first/second alternate adjacent channel in the selected measurement window for adjacent channel power measurements. Before the command, the limit check must be activated using `CALCulate:LIMit:ACPpower:STATe ON`.

The numeric suffix after `ALternate<1|2>` denotes the first or the second alternate channel. The numeric suffixes <1 to 8> are irrelevant for this command.

The result can be queried with `CALCulate:LIMit:ACPpower:ALternate<1|2>:RESult?`. It should be noted that a complete measurement must be performed between switching on the limit check and the result query, since otherwise no valid results are obtained.

**Example:**

<code>"CALC:LIM:ACP:ALT2 30DB, 30DB"</code>	'Sets the relative limit value in screen A for the power in the lower and upper second alternate adjacent channel to 30 dB below the channel power.'
<code>"CALC:LIM:ACP:ALT2:ABS -35DBM, -35DBM"</code>	'Sets the absolute limit value in screen A for the power in the lower and upper second alternate adjacent channel to -35 dBm.'
<code>"CALC:LIM:ACP ON"</code>	'Switches on globally the limit check for the channel/adjacent channel measurement in screen A.'
<code>"CALC:LIM:ACP:ACH:REL:STAT ON"</code>	'Switches on the check of the relative limit values for the alternate adjacent channels in screen A.'
<code>"CALC:LIM:ACP:ACH:ABS:STAT ON"</code>	'Switches on the check of absolute limit values for the alternate adjacent channels in screen A.'
<code>"INIT;*WAI"</code>	'Starts a new measurement and waits for the sweep end.'
<code>"CALC:LIM:ACP:ACH:RES?"</code>	'Queries the limit check result in the second alternate adjacent channels in screen A.'

**Characteristics:** \*RST value: OFF  
SCPI: device-specific

**Mode:** A

**CALCulate<1|2>:LIMit<1 to 8>:ACPover:ALternate<1|2>:ABSolute** -200DBM to 200DBM,  
-200DBM to .200DBM

This command defines the absolute limit value for the lower/upper alternate adjacent channel power measurement (Adjacent Channel Power) in the selected measurement window.

The numeric suffix after `ALternate<1|2>` denotes the first or the second alternate channel. The numeric suffixes <1 to 8> are irrelevant for this command.

It should be noted that the absolute limit value for the limit check has no effect as soon as it is below the relative limit value defined with `CALCulate:LIMit:ACPover:ALternate<1|2>:RELative`. This mechanism allows automatic checking of the absolute basic values defined in mobile radio standards for the power in adjacent channels.

**Parameter:** The first value is the limit for the lower and the upper alternate adjacent channel. The second limit value is ignored but must be indicated for reasons of compatibility with the FSE family.

**Example:** `"CALC:LIM:ACP:ALT2:ABS -35DBM, -35DBM"`  
'Sets the absolute limit value in  
'screen A for the power in the lower  
'and upper second alternate  
'adjacent channel to -35 dBm.

**Characteristics:** \*RST value: -200DBM  
SCPI: device-specific

**Mode:** A

**CALCulate<1|2>:LIMit<1 to 8>:ACPowe:ALTerNate<1|2>:ABSolute:STATe ON | OFF**

This command activates the limit check for the first/second alternate adjacent channel in the selected measurement window for adjacent channel power measurement (Adjacent Channel Power).

Before the command, the limit check must be globally switched on for the channel/adjacent channel power with the command `CALCulate:LIMit:ACPowe:STATe ON`.

The numeric suffix after `ALTerNate<1|2>` denotes the first or the second alternate channel. The numeric suffixes <1 to 8> are irrelevant for this command.

The result can be queried with `CALCulate:LIMit:ACPowe:ALTerNate<1|2>:RESult?`. It should be noted that a complete measurement must be performed between switching on the limit check and the result query, since otherwise no valid results are available.

**Example:**

<code>"CALC:LIM:ACP:ALT2 30DB, 30DB"</code>	'Sets the relative limit value in screen A for the power in the lower and upper second alternate adjacent channel to 30 dB below the channel power.
<code>"CALC:LIM:ACP:ALT2:ABS -35DBM, -35DBM"</code>	'Sets the absolute limit value in screen A for the power in the lower and upper second alternate adjacent channel to -35 dBm.
<code>"CALC:LIM:ACP ON"</code>	'Switches on globally the limit check for the channel/adjacent channel measurement in screen A.
<code>"CALC:LIM:ACP:ACH:REL:STAT ON"</code>	Switches on the check of the relative limit values for the alternative adjacent channels in screen A.
<code>"CALC:LIM:ACP:ACH:ABS:STAT ON"</code>	'Switches on the check of absolute limit values for the alternative adjacent channels in screen A.
<code>"INIT;*WAI"</code>	'Starts a new measurement and waits for the sweep end.
<code>"CALC:LIM:ACP:ACH:RES?"</code>	'Queries the limit check result in the second alternate adjacent channels in screen A.

**Characteristics:** \*RST value: OFF  
SCPI: device-specific

**Mode:** A

**CALCulate<1|2>:LIMit<1 to 8>:ACPpower:ALTErnate<1|2>:RESult?**

This command queries the result of the limit check for the first/second alternate adjacent channel in the selected measurement window for adjacent channel power measurements.

The numeric suffix after ALTErnate<1 | 2> denotes the first or the second alternate channel. The numeric suffixes <1 to 8> are irrelevant for this command.

If the power measurement of the adjacent channel is switched off, the command produces a query error.

**Parameter:** The result is returned in the form <result>, <result> where <result> = PASSED | FAILED and where the first (second) returned value denotes the lower (upper) alternate adjacent channel.

**Example:**

"CALC:LIM:ACP:ALT2 30DB, 30DB"	'Sets the relative limit value in screen A for the power in the lower and upper second alternate adjacent channel to 30 dB below the channel power.'
"CALC:LIM:ACP:ALT2:ABS -35DBM, -35DBM"	'Sets the absolute limit value in screen A for the power in the lower and upper second alternate adjacent channel to -35 dBm.'
"CALC:LIM:ACP ON"	'Switches on globally the limit check for the channel/adjacent channel measurement in screen A.'
"CALC:LIM:ACP:ALT:STAT ON"	'Switches on the limit check for the adjacent channels in screen A.'
"INIT;*WAI"	'Starts a new measurement and waits for the sweep end.'
"CALC:LIM:ACP:ALT:RES?"	'Queries the limit check result in the second alternate adjacent channels in screen A.'

**Characteristics:** \*RST value: --  
SCPI: device-specific

**Mode:** A

This command is a query and therefore has no \*RST value.

## CALCulate:LIMit:CONTrol Subsystem

The CALCulate:LIMit:CONTrol subsystem defines the x axis (CONTrol-axis).

COMMAND	PARAMETERS	UNIT	COMMENT
CALCulate<1 2> :LIMit<1...8> :CONTrol [:DATA] :DOMain :OFFSet :MODE :SHIFt :SPACing	<numeric_value>,<numeric_value>.. FREQuency TIME <numeric_value> RELative ABSolute <numeric_value> LINear   LOGarithmic	HZ   S  HZ   S  HZ   S	

**CALCulate<1|2>:LIMit<1 to 8>:CONTrol[:DATA] <numeric\_value>,<numeric\_value>..**

This command defines the X axis values (frequencies or times) of the upper or lower limit lines. The values are defined independently of the measurement window.

The number of values for the CONTrol axis and for the corresponding UPPer and/or LOWEr limit lines have to be identical. Otherwise default values are entered for missing values or not required values are deleted.

In analyzer mode, the unit of values depends on the frequency or time domain of the X axis, i.e. it is HZ with CALC:LIM:CONT:DOM FREQ and S of CALC:LIM:CONT:DOM TIME.

**Example:**

```
"CALC:LIM2:CONT 1MHz,30MHz,100MHz, 300MHz,1GHz"
'Defines 5 reference values for the X axis of
'limit line 2

"CALC:LIM2:CONT?"
'Outputs the reference values for the X axis of
'limit line 2 separated by a comma.
```

**Characteristics:** \*RST value: - (LIMit:STATe is set to OFF)  
SCPI: conforming

**Mode:** A, GSM/EDGE, FM

**CALCulate<1|2>:LIMit<1 to 8>:CONTrol:DOMain FREQuency | TIME**

This command defines the frequency or time domain for the x axis values.

**Example:**

```
"CALC:LIM2:CONT:DOM TIME"
'Defines the time domain for the X axis of limit
'line 2.
```

**Characteristics:** \*RST value: FREQuency  
SCPI: device-specific

**Mode:** A, GSM/EDGE, FM

**CALCulate<1|2>:LIMit<1 to 8>:CONTRol:OFFSet** <numeric\_value>

This command defines an offset for the X axis value of the selected relative limit line in the frequency or time domain.

The unit of values depends on the frequency or time domain of the X axis, i.e. it is HZ with CALC:LIM:CONT:DOM FREQ and S of CALC:LIM:CONT:DOM TIME.

**Example:** "CALC:LIM2:CONT:OFFS 100us" 'Sets the X offset for limit line 2 (defined in the time domain) to 100µs.

**Characteristics:** \*RST value: 0  
SCPI: device-specific

**Mode:** A, GSM/EDGE, FM

**CALCulate<1|2>:LIMit<1 to 8>:CONTRol:MODE** RELative | ABSolute

This command selects the relative or absolute scaling for the X axis of the selected limit line. The definition is independent of the measurement window.

**Example:** "CALC:LIM2:CONT:MODE REL" 'Defines the X axis of limit line 2 as relatively scaled.

**Characteristics:** \*RST value: ABSolute  
SCPI: device-specific

**Mode:** A, GSM/EDGE, FM

**CALCulate<1|2>:LIMit<1 to 8>:CONTRol:SHIFt** <numeric\_value>

This command moves a limit line by the indicated value in x direction. In contrast to CALC:LIM:CONT:OFFS, the line is shifted by modifying the individual x values and not by means of an additive offset. The shift is independent of the measurement window.

In the analyzer mode, the unit of values depends on the frequency or time domain of the X axis, i.e. it is HZ with CALC:LIM:CONT:DOM FREQ and S of CALC:LIM:CONT:DOM TIME.

**Example:** "CALC:LIM2:CONT:SHIF 50KHZ" 'Shifts all reference values of limit line 2 by 50 kHz.

**Characteristics:** \*RST value: --  
SCPI: device-specific

**Mode:** A, GSM/EDGE, FM

This command is an event and therefore has no \*RST value and no query.

**CALCulate<1|2>:LIMit<1 ... 8>:CONTRol:SPACing** LINear | LOGarithmic

This command selects linear or logarithmic interpolation for the calculation of limit lines from frequency points.

**Example:** "CALC:LIM:CONT:SPAC LIN"

**Characteristics:** \*RST value: LIN  
SCPI: device-specific

**Mode:** A, GSM/EDGE

## CALCulate:LIMit:LOWer Subsystem

The CALCulate:LIMit:LOWer subsystem defines the lower limit line.

COMMAND	PARAMETERS	UNIT	COMMENT
CALCulate<1 2> :LIMit<1 to 8> :LOWer [<DATA>]	<numeric_value>,<numeric_value>..	DBM   DB   DEG   RAD   S   HZ   PCT	
:STATe	<Boolean>	--	
:OFFSet	<numeric_value>	DB  DEG  RAD  S   HZ   PCT	
:MARGin	<numeric_value>	DB  DEG  RAD  S   HZ   PCT	
:MODE	RELative ABSolute	--	
:SHIFt	<numeric_value>	DB  DEG  RAD  S   HZ   PCT	
:SPACing	LINear   LOGarithmic		
:THReshold	<numeric_value>	DBM   DB   DEG   RAD   S   HZ   PCT	

### CALCulate<1|2>:LIMit<1 to 8>:LOWer[<DATA>] <numeric\_value>,<numeric\_value>..

This command defines the values for the selected lower limit line independently of the measurement window.

The number of values for the CONTROL axis and for the corresponding LOWER limit line has to be identical. Otherwise default values are entered for missing values or not necessary values are deleted.

The unit must be identical with the unit selected by CALC:LIM:UNIT. If no unit is indicated, the unit defined with CALC:LIM:UNIT is automatically used.

If the measured values are smaller than the LOWER limit line, the limit check signals errors.

The units DEG, RAD, S, HZ, PCT are not available in the SPECTRUM mode.

**Example:** "CALC:LIM2:LOW -30,-40,-10,-40,-30"  
'Defines 5 lower limit values for limit line 2 in the preset unit.

"CALC:LIM2:LOW?"  
'Outputs the lower limit values of limit line 2 separated by a comma.

**Characteristics:** \*RST value: - (LIMit:STATe is set to OFF)  
SCPI: conforming

**Mode:** A, GSM/EDGE, FM

**CALCulate<1|2>:LIMit<1 to 8>:LOWer:STATe** ON | OFF

This command switches on or off the indicated limit line in the selected measurement window. The limit check is activated separately with `CALC:LIM:STAT ON`.

In analyzer mode, the result of the limit check can be queried with `CALCulate:LIMit<1 to 8>:FAIL?`.

**Example:**

<code>"CALC:LIM4:LOW:STAT ON"</code>	'Switches on limit line 4 (lower limit) in screen A.
<code>"CALC2:LIM4:LOW:STAT ON"</code>	'Switches on limit line 4 (lower limit) also in screen B.

**Characteristics:** \*RST value: OFF  
SCPI: conforming

**Mode:** A, GSM/EDGE, FM

**CALCulate<1|2>:LIMit<1 to 8>:LOWer:OFFSet** <numeric\_value>

This command defines an offset for the Y axis of the selected relative lower limit line. In contrast to `CALC:LIM:LOW:SHIFT`, the line is not shifted by modifying the individual Y values but by means of an additive offset. The offset is independent of the measurement window.

**Example:** `"CALC:LIM2:LOW:OFFS 3dB"` 'Shifts limit line 2 in the corresponding measurement windows by 3 dB upwards.

**Characteristics:** \*RST value: 0  
SCPI: device-specific

**Mode:** A, GSM/EDGE, FM

**CALCulate<1|2>:LIMit<1 to 8>:LOWer:MARGin** <numeric\_value>

This command defines a margin to a lower limit line, at which out-of-limit values are signalled (if the limit check is active), but not handled as a violation of the limit value. The margin is independent of the measurement window.

Only the unit dB is available in spectrum analysis mode.

**Example:** `"CALC:LIM:LOW:MARG 10dB"`

**Characteristics:** \*RST value: 0  
SCPI: device-specific

**Mode:** A, GSM/EDGE, FM

**CALCulate<1|2>:LIMit<1 to 8>:LOWer:MODE** RELative | ABSolute

This command selects the relative or absolute scaling for the Y axis of the selected lower limit line. The setting is independent of the measurement window.

Selecting RELative causes the unit to be switched to DB.

**Example:** `"CALC:LIM:LOW:MODE REL"` 'Defines the Y axis of limit line 2 as relative scaled.

**Characteristics:** \*RST value: ABSolute  
SCPI: device-specific

**Mode:** A, GSM/EDGE, FM





**CALCulate:LIMit:UPPer Subsystem**

The CALCulate:LIMit:UPPer subsystem defines the upper limit line.

COMMAND	PARAMETERS	UNIT	COMMENT
CALCulate<1 2> :LIMit<1 to 8> :UPPer [:DATA]	<numeric_value>,<numeric_value>..	DBM   DB   DEG   RAD   S   HZ   PCT	
:STATe	<Boolean>	--	
:OFFSet	<numeric_value>	DB  DEG  RAD  S   HZ   PCT	
:MARGin	<numeric_value>	DB  DEG  RAD  S   HZ   PCT	
:MODE	RELative ABSolute	--	
:SHIFt	<numeric_value>	DB  DEG  RAD  S   HZ   PCT	
:SPACing	LINear   LOGarithmic		
:THReshold	<numeric_value>	DBM   DB   DEG   RAD   S   HZ   PCT	

**CALCulate<1|2>:LIMit<1 to 8>:UPPer[:DATA] <numeric\_value>,<numeric\_value>..**

This command defines the values for the upper limit lines independently of the measurement window.

The number of values for the CONTROL axis and for the corresponding UPPER and/or LOWER limit line have to be identical. Otherwise default values are entered for missing values or not necessary values are deleted.

The unit must be identical with the unit selected by CALC:LIM:UNIT. If no unit is indicated, the unit defined with CALC:LIM:UNIT is automatically used.

The units DEG, RAD, S, HZ, PCT are not available in SPECTRUM mode.

In analyzer mode, the limit check signals errors if the measured values exceed the UPPER limit line.

**Example:** "CALC:LIM2:UPP -10,0,0,-10,-5" 'Defines 5 upper limit values for limit 'line 2 in the preset unit.

"CALC:LIM2:UPP?" 'Outputs the upper limit values for limit line 2 'separated by a comma.

**Characteristics:** \*RST value: - (LIMit:STATe is set to OFF)  
SCPI: conforming

**Mode:** A, GSM/EDGE, FM

**CALCulate<1|2>:LIMit<1 to 8>:UPPer:STATe ON | OFF**

This command switches on or off the indicated limit line in the selected measurement window. The limit check is activated separately with `CALC:LIM:STAT ON`.

In analyzer mode, the result of the limit check can be queried with `CALCulate:LIMit<1 to 8>:FAIL?`.

**Example:**           `"CALC1:LIM4:UPP:STAT ON"`           'Switches on limit line 4 (upper limit) in 'screen A.  
                           `"CALC2:LIM4:UPP:STAT ON"`           'Switches on limit line 4 (upper limit) in 'screen B.

**Characteristics:** \*RST value:    OFF  
                           SCPI:           conforming

**Mode:**            A, GSM/EDGE, FM

**CALCulate<1|2>:LIMit<1 to 8>:UPPer:OFFSet <numeric\_value>**

This command defines an offset for the Y axis of the selected relative upper limit line. In contrast to `CALC:LIM:UPP:SHIFt`, the line is not shifted by modifying the individual Y values but by means of an additive offset. The offset is independent of the measurement window.

Only the unit dB is available in the spectrum analysis mode.

**Example:**           `"CALC:LIM2:UPP:OFFS 3dB"`           'Shifts limit line 2 by 3 dB upwards in the 'corresponding measurement windows.

**Characteristics:** \*RST value:    0  
                           SCPI:           device-specific

**Mode:**            A, GSM/EDGE, FM

**CALCulate<1|2>:LIMit<1 to 8>:UPPer:MARGin <numeric\_value>**

This command defines a margin to an upper limit line, at which out-of-limit values are signalled (if the limit check is active), but not handled as a violation of the limit value. The margin is independent of the measurement window.

Only the unit dB is available in *SPECTRUM* mode.

**Example:**           `"CALC:LIM2:UPP:MARG 10dB"`           'Defines the margin of limit line 2 to 10 dB 'below the limit value.

**Characteristics:** \*RST value:    0  
                           SCPI:           device-specific

**Mode:**            A, GSM/EDGE, FM

**CALCulate<1|2>:LIMit<1 to 8>:UPPer:MODE** RELative | ABSolute

This command selects the relative or absolute scaling for the Y axis of the selected upper limit line. The setting is independent of the measurement window.

Selecting RELative causes the unit to be switched to DB.

**Example:** "CALC:LIM2:UPP:MODE REL" 'Defines the Y axis of limit line 2 as relative scaled.

**Characteristics:** \*RST value: ABSolute  
SCPI: device-specific

**Mode:** A, GSM/EDGE, FM

**CALCulate<1|2>:LIMit<1 to 8>:UPPer:SHIFt** <numeric\_value>

This command moves a limit line by the indicated value in Y direction. In contrast to CALC:LIM:UPP:OFFS, the line is shifted by modifying the individual Y values and not by means of an additive offset. The shift is independent of the measurement window.

Only the unit dB is available in the spectrum analysis mode.

**Example:** "CALC:LIM3:UPP:SHIF 20DB" 'Shifts all Y values of limit line 3 by 20 dB.

**Characteristics:** \*RST value: --  
SCPI: device-specific

**Mode:** A, GSM/EDGE, FM

This command is an event and therefore has no \*RST value and no query.

**CALCulate<1|2>:LIMit<1 to 8>:UPPer:SPACing** LINear | LOGarithmic

This command selects linear or logarithmic interpolation for the upper limit line.

**Example:** "CALC:LIM:UPP:SPAC LIN"

**Characteristics:** \*RST value: LIN  
SCPI: device-specific

**Mode:** A, GSM/EDGE

**CALCulate<1|2>:LIMit<1 to 8>:UPPer:THReshold** <numeric\_value>

This command defines an absolute threshold value for limit lines with relative Y axis scaling independently of the measurement window. The absolute threshold value is used in the limit check as soon as it exceeds the relative limit value.

The unit must correspond to the unit selected with CALC:LIM:UNIT (except dB which is not possible). If no unit is indicated, the unit defined with CALC:LIM:UNIT is automatically used (exception: dBm instead of dB).

The units DEG, RAD, S, HZ, PCT are not available in the SPECTRUM mode.

**Example:** "CALC:LIM2:UPP:THR -35DBM" 'Defines an absolute threshold value for limit line 2.

**Characteristics:** \*RST value: -200 dBm  
SCPI: device-specific

**Mode:** A, GSM/EDGE, FM

## CALCulate:MARKer Subsystem

The CALCulate:MARKer subsystem checks the marker functions in the instrument. The measurement windows are assigned to CALCulate 1 (screen A) or 2 (screen B).

COMMAND	PARAMETERS	UNIT	COMMENT
CALCulate<1 2>			
:MARKer<1 to 4>			
[:STATe]	<Boolean>	--	
:AOFF			no query
:TRACe	<numeric_value>	--	
:X	<numeric_value>	HZ   S   DBM   DB	
:SLIMits			
[:STATe]	<Boolean>	--	
:LEFT	<numeric_value>	HZ   S	
:RIGHT	<numeric_value>	HZ   S	
:COUNT	<Boolean>	--	
:RESolution	<numeric_value>	HZ	
:FREQuency?	--	--	query only
:LOEXclude	<Boolean>	--	
:Y?	--	--	query only
:PERCent	<numeric_value>	PCT	
:MAXimum			
[:PEAK]	--	--	no query
:NEXT	--	--	no query
:RIGHT	--	--	no query
:LEFT	--	--	no query
:MINimum			
[:PEAK]	--	--	no query
:NEXT	--	--	no query
:RIGHT	--	--	no query
:LEFT	--	--	no query
:PEXCursion	<numeric_value>	DB   DEG   RAD   HZ   PCT	

### CALCulate<1|2>:MARKer<1 to 4>[:STATe] ON | OFF

This command switches on or off the currently selected marker in the selected measurement window. If no indication is made, marker 1 is selected automatically. If marker 2, 3 or 4 is selected and used as a delta marker, it is switched to marker mode.

**Example:** "CALC:MARK3 ON" 'Switches marker 3 in screen A on or to marker mode.

**Characteristics:** \*RST value: OFF  
SCPI: device-specific

**Mode:** A, GSM/EDGE, FM

**CALCulate<1|2>:MARKer<1 to 4>:AOFF**

This command switches off all active markers in the selected measurement window. All delta markers and active marker/delta marker measurement functions are switched off.

**Example:** "CALC:MARK:AOFF" 'Switches off all markers in screen A.

**Characteristics:** \*RST value: -  
SCPI: device-specific

**Mode:** A, GSM/EDGE, FM

This command is an event and therefore has no \*RST value and no query.

**CALCulate<1|2>:MARKer<1 to 4>:TRACe 1 to 3**

This command assigns the selected marker (1 to 4) to the indicated measurement curve in the selected measurement window. The corresponding trace must be active, i.e. its status must be different from "BLANK".

If necessary the corresponding marker is switched on prior to the assignment.

**Example:** "CALC:MARK3:TRAC 2" 'Assigns marker 3 in screen A to trace 2.

"CALC2:MARK:TRAC 3" 'Assigns marker 1 in screen B to trace 3.

**Characteristics:** \*RST value -  
SCPI: device-specific

**Mode:** A, GSM/EDGE, FM

**CALCulate<1|2>:MARKer<1 to 4>:X 0 to MAX (frequency | sweep time)**

This command positions the selected marker to the indicated frequency (span > 0), time (span = 0) or level (APD measurement or CCDF measurement ON) in the selected measurement window. If marker 2, 3 or 4 is selected and used as delta marker, it is switched to marker mode.

**Example:** "CALC1:MARK2:X 10.7MHz" 'Positions marker 2 in screen A to frequency '10.7 MHz.

**Characteristics:** \*RST value: -  
SCPI: device-specific

**Mode:** A, GSM/EDGE, FM

**CALCulate<1|2>:MARKer<1 to 4>:X:SLIMits[:STATe] ON | OFF**

This command switches between a limited (ON) and unlimited (OFF) search range in the selected measurement window. The function is independent of the selection of a marker, i.e. the numeric suffix MARKer<1 to 4> is irrelevant.

If the time domain power measurement is active, this command limits the evaluation range on the trace.

**Example:** "CALC:MARK:X:SLIM ON" 'Switches on search limitation in screen A.

**Characteristics:** \*RST value: OFF  
SCPI: device-specific

**Mode:** A, GSM/EDGE, FM

**CALCulate<1|2>:MARKer<1 to 4>:X:SLIMits:LEFT** 0 to MAX (frequency | sweep time)

This command sets the left limit of the search range for markers and delta markers in the selected measurement window. Depending on the x axis domain the indicated value defines a frequency (span > 0) or time (span = 0). The function is independent of the selection of a marker, i.e. the numeric suffix in MARKer<1 to 4> is irrelevant.

If the time domain power measurement is active, this command limits the evaluation range to the trace.

**Note:** *The function is only available if the search limit for marker and delta marker is switched on (CALC:MARK:X:SLIM ON).*

**Example:** "CALC:MARK:X:SLIM ON" 'Switches the search limit function on for screen A.  
"CALC:MARK:X:SLIM:LEFT 10MHz" 'Sets the left limit of the search range in screen A to 10 MHz.

**Characteristics:** \*RST value: - (is set to the left diagram border on switching on search limits)  
SCPI: device-specific

**Mode:** A, GSM/EDGE, FM

**CALCulate<1|2>:MARKer<1 to 4>:X:SLIMits:RIGHT** 0 to MAX (frequency | sweep time)

This command sets the right limit of the search range for markers and delta markers in the selected measurement window. Depending on the x axis domain the indicated value defines a frequency (span > 0) or time (span = 0). The function is independent of the selection of a marker, i.e. the numeric suffix in MARKer<1 to 4> is irrelevant.

If the time domain power measurement is active, this command limits the evaluation range to the trace.

**Note:** *The function is only available if the search limit for marker and delta marker is switched on (CALC:MARK:X:SLIM ON).*

**Example:** "CALC:MARK:X:SLIM ON" 'Switches the search limit function on for screen A.  
"CALC:MARK:X:SLIM:RIGH 20MHz" 'Sets the right limit of the search range in screen A to 20 MHz.

**Characteristics:** \*RST value: - is set to the right diagram border on switching on search limits)  
SCPI: device-specific

**Mode:** A, GSM/EDGE, FM

**CALCulate<1|2>:MARKer<1 to 4>:COUNT ON | OFF**

This command switches on or off the frequency counter at the marker position in the selected measurement window. The count result is queried with `CALCulate:MARKer:COUNT:FREQUENCY?`. Frequency counting is possible only for one marker at a time for each measurement window. If it is activated for another marker, it is automatically de-activated for the previous marker.

It should be noted that a complete sweep must be performed after switching on the frequency counter to ensure that the frequency to be measured is actually reached. The synchronization to the sweep end required for this is possible only in single-sweep mode.

**Note:** This command is not available for GSM/EDGE measurements modulation accuracy (MAC), phase/frequency error (PFE) and power versus time (PVT).

**Example:**

"INIT:CONT OFF"	'Switches to single-sweep mode.
"CALC:MARK ON"	'Switches on marker 1 in screen A.
"CALC:MARK:COUN ON"	'Switches on the frequency counter for marker 1.
"INIT;*WAI"	'Starts a sweep and waits for the end.
"CALC:MARK:COUN:FREQ?"	'Outputs the measured value in screen A.

**Characteristics:** \*RST value: OFF  
SCPI: device-specific

**Mode:** A, GSM/EDGE

**CALCulate<1|2>:MARKer<1 to 4>:COUNT:RESolution 0.1 | 1 | 10 | 100 | 1000 | 10000 Hz**

This command specifies the resolution of the frequency counter in the selected measurement window. The setting is independent of the selected marker, i.e. the numeric suffix in `MARKer<1 to 4>` is irrelevant.

**Note:** This command is not available for GSM/EDGE measurements modulation accuracy (MAC), phase/frequency error (PFE) and power versus time (PVT).

**Example:** "CALC:MARK:COUN:RES 1kHz" 'Sets the resolution of the frequency counter to 1 kHz.

**Characteristics:** \*RST value: 1kHz  
SCPI: device-specific

**Mode:** A, GSM/EDGE

**CALCulate<1|2>:MARKer<1 to 4>:COUNT:FREQUENCY?**

This command queries the result of the frequency counter for the indicated marker in the selected measurement window. Before the command, the frequency counter should be switched on and a complete measurement performed to obtain a valid count result. Therefore, a single sweep with synchronization must be performed between switching on the frequency counter and querying the count result.

**Note:** This command is not available for GSM/EDGE measurements modulation accuracy (MAC), phase/frequency error (PFE) and power versus time (PVT).

**Example:**

"INIT:CONT OFF"	'Switches to single-sweep mode.
"CALC:MARK2 ON"	'Switches marker 2 in screen A.
"CALC:MARK2:COUN ON"	'Switches the frequency counter for marker 2.
"INIT;*WAI"	'Starts a sweep and waits for the end.
"CALC:MARK2:COUN:FREQ?"	'Outputs the measured value of marker 2 in screen A.

**Characteristics:** \*RST value: -  
SCPI: device-specific

**Mode:** A, GSM/EDGE

This command is only a query and therefore has no \*RST value.



**CALCulate<1|2>:MARKer<1 to 4>:LOEXclude ON | OFF**

This command switches the local oscillator suppression for peak search on or off. This setting is valid for all markers and delta markers in all measurement windows.

**Example:** "CALC:MARK:LOEX ON"

**Characteristics:** \*RST value: ON  
SCPI: device-specific

**Mode:** A-F, GSM/EDGE, FM

The numeric suffixes 1|2 and 1 to 4 are irrelevant.

**CALCulate<1|2>:MARKer<1 to 4>:Y?**

This command queries the measured value of the selected marker in the selected measurement window. The corresponding marker is activated before or switched to marker mode, if necessary.

To obtain a valid query result, a complete sweep with synchronization to the sweep end must be performed between the activation of the marker and the query of the y value. This is only possible in single sweep mode.

The query result is output in the unit determined with CALCulate:UNIT.

In the default setting, the output is made depending on the unit determined with CALC:UNIT; only with linear level scaling is the output in %.

If the FM Demodulator (FS-K7) is activated, the query result is output in the following units:

- Result display FM: Hz
- Result display RF POWER LOG: dBm
- Result display RF POWER LIN: %
- Result display SPECTRUM LOG: dBm
- Result display SPECTRUM LIN: %

**Example:** "INIT:CONT OFF" 'Switches to single-sweep mode.  
"CALC:MARK2 ON" 'Switches marker 2 in screen A.  
"INIT;\*WAI" 'Starts a sweep and waits for the end.  
"CALC:MARK2:Y?" 'Outputs the measured value of marker 2 in screen A.

**Characteristics:** \*RST value: -  
SCPI: device-specific

**Mode:** A, GSM/EDGE, FM

**CALCulate<1|2>:MARKer<1 to 4>:Y:PERCent 0 to100%**

This command positions the selected marker in the selected window to the given probability. If marker 2, 3 or 4 is selected and used as a delta marker, it is switched to marker mode.

**Note:** The command is only available with the CCDF measurement switched on.  
The associated level value can be determined with the CALC:MARK:X? command.

**Example:** "CALC1:MARK:Y:PERC 95PCT" 'Positions marker 1 in screen A to a probability of 95%.

**Characteristics:** \*RST value: -  
SCPI: device-specific

**Mode:** A

**CALCulate<1|2>:MARKer<1 to 4>:MAXimum[:PEAK]**

This command positions the marker to the current maximum value of the corresponding trace in the selected measurement window. The corresponding marker is activated first or switched to the marker mode.

**Note:** *If no maximum value is found on the trace (level spacing to adjacent values < peak excursion), an execution error (error code: -200) is produced.*

**Example:** "CALC:MARK2:MAX" 'Positions marker 2 in screen A to the maximum value of the trace.

**Characteristics:** \*RST value: -  
SCPI: device-specific

**Mode:** A, GSM/EDGE, FM

This command is an event and therefore has no \*RST value and no query.

**CALCulate<1|2>:MARKer<1 to 4>:MAXimum:NEXT**

This command positions the marker to the next smaller maximum value of the corresponding trace in the selected measurement window.

**Note:** *If no next smaller maximum value is found on the trace (level spacing to adjacent values < peak excursion), an execution error (error code: -200) is produced.*

**Example:** "CALC:MARK2:MAX:NEXT" 'Positions marker 2 in screen A to the next lower maximum value.

**Characteristics:** \*RST value: -  
SCPI: device-specific

**Mode:** A, GSM/EDGE, FM

This command is an event and therefore has no \*RST value and no query.

**CALCulate<1|2>:MARKer<1 to 4>:MAXimum:RIGHT**

This command positions the marker to the next smaller maximum value to the right of the current value (i.e. in ascending X values) on the corresponding trace in the selected measurement window.

**Note:** *If no next smaller maximum value is found on the trace (level spacing to adjacent values < peak excursion), an execution error (error code: -200) is produced.*

**Example:** "CALC:MARK2:MAX:RIGHT" 'Positions marker 2 in screen A to the next lower maximum value to the right of the current value.

**Characteristics:** \*RST value: -  
SCPI: device-specific

**Mode:** A, GSM/EDGE, FM

This command is an event and therefore has no \*RST value and no query.

**CALCulate<1|2>:MARKer<1 to 4>:MAXimum:LEFT**

This command positions the marker to the next smaller maximum value to the left of the current value (i.e. in descending X values) on the trace in the selected measurement window.

**Note:** *If no next smaller maximum value is found on the trace (level spacing to adjacent values < peak excursion), an execution error (error code: -200) is produced.*

**Example:** "CALC:MARK2:MAX:LEFT" 'Positions marker 2 in screen A to the next 'lower maximum value to the left of the current 'value.

**Characteristics:** \*RST value: -  
SCPI: device-specific

**Mode:** A, BTS; GSM/EDGE, FM

This command is an event and therefore has no \*RST value and no query.

**CALCulate<1|2>:MARKer<1 to 4>:MINimum[:PEAK]**

This command positions the marker to the current minimum value of the corresponding trace in the selected measurement window. The corresponding marker is activated first or switched to marker mode, if necessary.

**Note:** *If no minimum value is found on the trace (level spacing to adjacent values < peak excursion), an execution error (error code: -200) is produced.*

**Example:** "CALC:MARK2:MIN" 'Positions marker 2 in screen A to the minimum value of 'the trace.

**Characteristics:** \*RST value: -  
SCPI: device-specific

**Mode:** A, GSM/EDGE, FM

This command is an event and therefore has no \*RST value and no query.

**CALCulate<1|2>:MARKer<1 to 4>:MINimum:NEXT**

This command positions the marker to the next higher minimum value of the corresponding trace in the selected measurement window.

**Note:** *If no next higher minimum value is found on the trace (level spacing to adjacent values < peak excursion), an execution error (error code: -200) is produced.*

**Example:** "CALC:MARK2:MIN:NEXT" 'Positions marker 2 in screen A to the next 'higher maximum value.

**Characteristics:** \*RST value: -  
SCPI: device-specific

**Mode:** A, GSM/EDGE, FM

This command is an event and therefore has no \*RST value and no query.

**CALCulate<1|2>:MARKer<1 to 4>:MINimum:RIGHT**

This command positions the marker to the next higher minimum value to the right of the current value (i.e. in ascending X direction) on the corresponding trace in the selected measurement window.

**Note:** *If no next higher minimum value is found on the trace (level spacing to adjacent values < peak excursion), an execution error (error code: -200) is produced.*

**Example:** "CALC:MARK2:MIN:RIGHT" 'Positions marker 2 in screen A to the next higher minimum value to the right of the current value.

**Characteristics:** \*RST value: -  
SCPI: device-specific

**Mode:** A, GSM/EDGE, FM

This command is an event and therefore has no \*RST value and no query.

**CALCulate<1|2>:MARKer<1 to 4>:MINimum:LEFT**

This command positions the marker to the next higher minimum value to the left of the current value (i.e. in descending X direction) on the corresponding trace in the selected measurement window.

**Note:** *If no next higher minimum value is found on the trace (level spacing to adjacent values < peak excursion), an execution error (error code: -200) is produced.*

**Example:** "CALC:MARK2:MIN:LEFT" 'Positions marker 2 in screen A to the next higher minimum value to the left of the current value.

**Characteristics:** \*RST value: -  
SCPI: device-specific

**Mode:** A, GSM/EDGE, FM

This command is an event and therefore has no \*RST value and no query.

**CALCulate<1|2>:MARKer<1 to 4>:PEXCursion <numeric\_value>**

This command defines the peak excursion., i.e. the spacing below a trace maximum which must be attained before a new maximum is recognized, or the spacing above a trace minimum which must be attained before a new minimum is recognized. The set value is valid for all markers and delta markers. The unit depends on the selected operating mode.

**Example:** "CALC:MARK:PEXC 10dB" 'Defines peak excursion 10 dB in 'SPECTRUM mode  
"CALC:MARK:PEXC 100 HZ" Defines peak excursion 100 Hz in 'FM DEMOD mode

**Characteristics:** \*RST value: 6dB  
SCPI: device-specific

**Mode:** A, GSM/EDGE, FM

The numeric suffix in MARKer<1 to 4> is irrelevant.



"CALC:MARK:FUNC:FPE:SORT X" ' sets the sort mode to increasing  
' X values  
 "CALC:MARK:FUNC:FPE 3" ' searches the 3 highest maxima for trace 1  
 "CALC:MARK:FUNC:COUN?" ' queries the number of maxima foand  
 "CALC:MARK:FUNC:Y?" ' queries the level of maxima foand  
 "CALC:MARK:FUNC:X?" ' queries the frequencies (span <> 0) or  
' time (span = 0) of maxima foand.

**Characteristics:** \*RST value: --  
SCPI: device-specific

**Mode:** A

#### CALCulate<1|2>:MARKer<1 to 4>:FUNCtion:FPEaks:COUNT?

This query reads out the number of maxima foand during the search. If no search for maxima has been performed, 0 is returned.

**Example:** "CALC:MARK:FUNC:FPE 3" ' searches the 3 highest maxima for trace 1  
 "CALC:MARK:FUNC:FPE:COUN?" ' queries the number of maxima foand

**Characteristics:** \*RST value: --  
SCPI: device-specific

**Mode:** A

#### CALCulate<1|2>:MARKer<1 to 4>:FUNCtion:FPEaks:X?

This query reads out the list of X values of the maxima foand. The number of available values can be queried with CALC:MARK:FUNC:FPEaks:COUNT?.

With sort mode X, the X values are in increasing order; with sort mode Y the order corresponds to the decreasing order of the Y values.

**Example:** "CALC:MARK:FUNC:FPE:SORT Y" ' sets the sort mode to decreasing y values  
 "CALC:MARK:FUNC:FPE 3" searches the 3 highest maxima for trace 1  
 "CALC:MARK:FUNC:FPE:COUN?" ' queries the number of maxima foand  
 "CALC:MARK:FPE:FUNC:X?" ' queries the frequencies (span <> 0) or.  
' time (span = 0) of the maxima foand.

#### Returned values:

"107.5E6,153.8E6,187.9E6" ' frequencies in increasing order  
 "2.05E-3,2.37E-3, 3.71e-3" ' times in increasing order

**Characteristics:** \*RST value: --  
SCPI: device-specific

**Mode:** A

**CALCulate<1|2>:MARKer<1 to 4>:FUNCTION:FPEaks:Y?**

This query reads out the list of X values of the maxima foand. The number of available values can be queried with `CALC:MARK:FUNC:FPEaks:COUNT?`.

With sort mode X, the X values are in increasing order; with sort mode Y the order corresponds to the decreasing order of the Y values.

**Example:** `"CALC:MARK:FUNC:FPE:SORT Y"` ' sets the sort mode to decreasing y values  
`"CALC:MARK:FUNC:FPE 3"` ' searches the 3 highest maxima for trace 1  
`"CALC:MARK:FUNC:FPE:COUN?"` ' queries the number of maxima foand  
`"CALC:MARK:FUNC:FPE:Y?"` ' queries the levels of the maxima foand.

**Return value:**

`"-37.5, -58.3, -59.6"` ' level in decreasing order

**Characteristics:** \*RST value: --  
 SCPI: device-specific

**Mode:** A

**CALCulate<1|2>:MARKer<1 to 4>:FUNCTION:FPEaks:SORT X | Y**

This command sets the sort mode for the search for maxima:

X the maxima are sorted in the list of responses according to increasing X values  
 Y the maxima are sorted in the list of responses according to decreasing Y values

**Example:** `"CALC:MARK:FUNC:FPE:SORT Y"` ' sets the sort mode to decreasing y values

**Characteristics:** \*RST value: --  
 SCPI: device-specific

**Mode:** A

**CALCulate<1|2>:MARKer<1 to 4>:FUNCTION:NDBDown <numeric\_value>**

This command defines the level spacing of the two delta markers to the right and left of marker 1 in the selected measurement window. Marker 1 is always used as the reference marker. The numeric suffix <1 to 4> is irrelevant for this command.

The temporary markers T1 and T2 are positioned by n dB below the active reference marker. The frequency spacing of these markers can be queried with `CALCulate:MARKer:FUNCTION:NDBDown:RESult?`.

**Note:**

*This command is not available for GSM/EDGE measurements modulation accuracy (MAC), phase/frequency error (PFE) and power versus time (PVT).*

**Example:** `"CALC:MARK:FUNC:NDBD 3dB"` 'Sets the level spacing in screen A to 3 dB.

**Characteristics:** \*RST value: 6dB  
 SCPI: device-specific

**Mode:** A, GSM/EDGE

**CALCulate<1|2>:MARKer<1 to 4>:FUNCTION:NDBDown:STATe** ON | OFF

This command switches the "N dB Down" function on or off in the selected measurement window. Marker 1 is activated first, if necessary. The numeric suffix <1 to 4> is irrelevant for this command.

**Note:** This command is not available for GSM/EDGE measurements modulation accuracy (MAC), phase/frequency error (PFE) and power versus time (PVT).

**Example:** "CALC:MARK:FUNC:NDBD:STAT ON" 'Switches on the N-dB-down function in 'screen A.

**Characteristics:** \*RST value: OFF  
SCPI: device-specific

**Mode:** A, GSM/EDGE

**CALCulate<1|2>:MARKer<1 to 4>:FUNCTION:NDBDown:RESult?**

This command queries the frequency spacing (bandwidth) of the N-dB-down markers in the selected measurement window. The numeric suffix <1 to 4> is irrelevant for this command.

A complete sweep with synchronization to sweep end must be performed between switching on the function and querying the measured value in order to obtain a valid query result. This is only possible in single sweep mode.

**Note:** This command is not available for GSM/EDGE measurements modulation accuracy (MAC), phase/frequency error (PFE) and power versus time (PVT).

**Example:** "INIT:CONT OFF" 'Switches to single-sweep mode.  
"CALC:MARK:FUNC:NDBD ON" 'Switches on the n-dB-down function in 'screen A.  
"INIT;\*WAI" 'Starts a sweep and waits for the end.  
"CALC:MARK:FUNC:NDBD:RES?" 'Outputs the measured value of screen A.

**Characteristics:** \*RST value: -  
SCPI: device-specific

**Mode:** A, GSM/EDGE

This command is only a query and therefore has no \*RST value.



**CALCulate<1|2>:MARKer<1 to 4>:FUNCTION:NDBDown:FREQUENCY?**

This command queries the two frequencies of the N-dB-down marker in the selected measurement window. The numeric suffix <1 to 4> is irrelevant for this command. The two frequency values are separated by comma and output in ascending order.

A complete sweep with synchronization to sweep end must be performed between switching on the function and querying the measured value to obtain a valid query result. This is only possible in single sweep mode.

**Note:** *This command is not available for GSM/EDGE measurements modulation accuracy (MAC), phase/frequency error (PFE) and power versus time (PVT).*

**Example:**

"INIT:CONT OFF"	'Switches to single-sweep mode.
"CALC:MARK:FUNC:NDBD ON"	'Switches on the n-dB-down function in screen A.
"INIT;*WAI"	'Starts a sweep and waits for the end.
"CALC:MARK:FUNC:NDBD:FREQ?"	'Outputs the frequencies of the temporary markers in screen A.

**Characteristics:** \*RST value: -  
SCPI: device-specific

**Mode:** A, GSM/EDGE

This command is only a query and therefore has no \*RST value.

**CALCulate<1|2>:MARKer<1 to 4>:FUNCTION:ZOOM <numeric\_value>**

This command defines the range to be zoomed around marker 1 in the selected measurement window. Marker 1 is activated first, if necessary.

The subsequent frequency sweep is stopped at the marker position and the frequency of the signal is counted. This frequency becomes the new center frequency, and the zoomed span is set. In order to recognize the end of the operation the synchronization to the sweep end should be activated. This is only possible in single sweep mode.

**Example:**

"INIT:CONT OFF"	'Switches to single-sweep mode
"CALC:MARK:FUNC:ZOOM 1kHz;*WAI"	' Activates zooming in screen A and waits for its end.

**Characteristics:** \*RST value: -  
SCPI: device-specific

**Mode:** A-F

This command is an event and therefore has no \*RST value and no query.

**CALCulate<1|2>:MARKer<1 to 4>:FUNCTION:NOISe[:STATe] ON | OFF**

This command switches the noise measurement on or off for all markers of the indicated measurement window. The noise power density is measured at the position of the markers. The result can be queried with `CALCulate:MARKer:FUNCTION:NOISe:RESult?`.

**Note:** This command is not available for GSM/EDGE measurements modulation accuracy (MAC), phase/frequency error (PFE) and power versus time (PVT).

**Example:**           `"CALC2:MARK:FUNC:NOIS ON"` 'Switches on the noise measurement for 'screen B.

**Characteristics:** \*RST value:   OFF  
SCPI:               device-specific

**Mode:**            A, GSM/EDGE

**CALCulate<1|2>:MARKer<1 to 4>:FUNCTION:NOISe:RESult?**

This command queries the result of the noise measurement.

A complete sweep with synchronization to the sweep end must be performed between switching on the function and querying the measured value in order to obtain a valid query result. This is only possible in single sweep mode.

**Note:** This command is not available for GSM/EDGE measurements modulation accuracy (MAC), phase/frequency error (PFE) and power versus time (PVT).

**Example:**           `"INIT:CONT OFF"`                   'Switches to single-sweep mode.  
                  `"CALC:MARK2 ON"`                   'Switches on marker 2 in screen A.  
                  `"CALC:MARK:FUNC:NOIS ON"`       'Switches on noise measurement in screen A.  
                  `"INIT;*WAI"`                   'Starts a sweep and waits for the end.  
                  `"CALC:MARK2:NOIS:RES?"`       'Outputs the noise result of marker 2 in 'screen A.

**Characteristics:** \*RST value:   -  
SCPI:               device-specific

**Mode:**            A, GSM/EDGE

This command is an event and therefore has no \*RST value and no query.

**CALCulate<1|2>:MARKer<1 to 4>:FUNCTION:DEModulation:SElect AM | FM**

This command selects the demodulation type for the audio demodulator. The command is independent of the measurement window and of the selected marker, i.e. suffixes 1|2 and 1 to 4 are irrelevant.

This command is only available with the audio demodulator option FSP-B3.

**Example:**           `"CALC:MARK:FUNC:DEM:SEL FM"`

**Characteristics:** \*RST value:   AM  
SCPI:               device-specific

**Mode:**            A, GSM/EDGE

**CALCulate<1|2>:MARKer<1 to 4>:FUNCtion:DEModulation[:STATe] ON | OFF**

This command switches on or off the audio demodulator when the indicated marker is reached in the selected measurement window. In the frequency domain (span > 0) the hold time can be defined at the corresponding marker position with `CALCulate:MARKer:FUNCtion:DEModulation:HOLD`. In the time domain (span = 0) the demodulation is permanently active.

The command is only available with option audio demodulator FSP-B3.

**Example:**            "`CALC2:MARK3:FUNC:DEM ON`" 'Switches on the demodulation for marker 3 in 'screen B.

**Characteristics:** \*RST value:    OFF  
                      SCPI:            device-specific

**Mode:**             A, GSM/EDGE

**CALCulate<1|2>:MARKer<1 to 4>:FUNCtion:DEModulation:HOLDoff 10ms to 1000s**

This command defines the hold time at the marker position for the demodulation in the frequency domain (span > 0). The setting is independent of the measurement window and the selected marker, i.e. the suffixes <1|2> and <1 to 4> are irrelevant

The command is only available with option audio demodulator FSP-B3.

**Example:**            "`CALC:MARK:FUNC:DEM:HOLD 3s`"

**Characteristics:** \*RST value:    - (DEModulation is set to OFF)  
                      SCPI:            device-specific

**Mode:**             A, GSM/EDGE

**CALCulate<1|2>:MARKer<1 to 4>:FUNCtion:DEModulation:CONTinuous ON | OFF**

This command switches on or off the continuous demodulation in the frequency domain (span > 0) in the selected measurement window. Thus acoustic monitoring of the signals can be performed in the frequency domain. The function does not depend on the selected marker, i.e. the numeric suffix <1 to 4> is irrelevant.

The command is only available with option audio demodulator FSP-B3.

**Example:**            "`CALC2:MARK3:FUNC:DEM:CONT ON`" 'Switches on the continuous 'demodulation in screen B.

**Characteristics:** \*RST value:    OFF  
                      SCPI:            device-specific

**Mode:**             A, GSM/EDGE

**CALCulate<1|2>:MARKer<1 to 4>:FUNCTION:MDEPth:[:STATe]**

This command switches on the measurement of the AM modulation depth. An AM-modulated carrier is required on the screen for correct operation. If necessary, marker 1 is previously activated and set to the largest signal available.

The level value of marker 1 is regarded as the carrier level. On activating the function, marker 2 and marker 3 are automatically set as delta markers symmetrically to the carrier to the adjacent maxima of the trace.

If the position of delta marker 2 is changed, delta marker 3 is moved symmetrically with respect to the reference marker (marker 1). If the position of delta marker 3 is changed, fine adjustment can be performed independently of delta marker 2.

The FSP calculates the power at the marker positions from the measured levels.

The AM modulation depth is calculated from the ratio of power values at the reference marker and the delta markers. If the two AM sidebands differ in power, the average value of the two power values is used for calculating the AM modulation depth.

The numeric suffix <1 to 4> of :MARKer is irrelevant with this command.

<b>Example:</b>	"CALC:MARK:X 10MHZ "	'Sets the reference marker (marker 1) to the carrier signal at 10 MHz
	"CALC:MARK:FUNC:MDEP ON"	'Switches on the modulation depth measurement in screen A.
	"CALC:DELT2:X 10KHZ "	'Sets delta markers 2 and 3 to the signals at 10 kHz from the carrier signal
	"CALC:DELT3:X 9.999KHZ "	'Corrects the position of delta marker 3 relative to delta marker 2.

**Characteristics:** \*RST value: OFF  
SCPI: device-specific

**Mode:** A, GSM/EDGE

**CALCulate<1|2>:MARKer<1 to 4>:FUNCTION:MDEPth:RESult?**

This command queries the AM modulation depth in the indicated measurement window.

A complete sweep with synchronization to sweep end must be performed between switching on the function and querying the measured value to obtain a valid query result. This is only possible in single sweep mode.

The numeric suffix <1 to 4> of :MARKer is irrelevant for this command.

<b>Example:</b>	"INIT:CONT OFF "	'Switches to single-sweep mode.
	"CALC:MARK:X 10MHZ "	'Sets the reference marker (marker 1) to the carrier signal at 10 MHz.
	"CALC:MARK:FUNC:MDEP ON"	'Switches on the modulation depth measurement in screen A.
	"INIT;*WAI "	'Starts a sweep and waits for the end.
	"CALC:MARK:FUNC:MDEP:RES? "	'Outputs the measured value of screen A.

**Characteristics:** \*RST value: -  
SCPI: device-specific

**Mode:** A, GSM/EDGE

This command is only a query and therefore has no \*RST value.

**CALCulate<1|2>:MARKer<1 to 4>:FUNCTION:TOI[:STATe] ON | OFF**

This command initiates the measurement of the third-order intercept point.

A two-tone signal with equal carrier levels is expected at the RF input of the instrument. Marker 1 and marker 2 (both normal markers) are set to the maximum of the two signals. Delta marker 3 and delta marker 4 are positioned to the intermodulation products. The delta markers can be modified separately afterwards with the commands `CALCulate:DELTAmarker3:X` and `CALCulate:DELTAmarker4:X`.

The third-order intercept is calculated from the level spacing between the normal markers and the delta markers.

The numeric suffix <1 to 4> of :MARKer is irrelevant for this command.

**Note:** This command is not available during GSM measurements modulation accuracy (MAC), phase-frequency error (PFE), power vs. time (PVT) and carrier power (CPW).

**Example:**           `"CALC:MARK:FUNC:TOI ON"`           'Switches on the measurement of the third-order intercept in screen A.

**Characteristics:** \*RST value:   OFF  
SCPI:               device-specific

**Mode:**            A, GSM/EDGE

**CALCulate<1|2>:MARKer<1 to 4>:FUNCTION:TOI:RESult?**

This command queries the third-order intercept point measurement in the indicated measurement window.

A complete sweep with synchronization to sweep end must be performed between switching on the function and querying the measured value to obtain a valid query result. This is only possible in single sweep mode.

The numeric suffix <1 to 4> of :MARKer is irrelevant of this command.

**Note:** This command is not available during GSM measurements modulation accuracy (MAC), phase-frequency error (PFE), power vs. time (PVT) and carrier power (CPW).

**Example:**           `"INIT:CONT OFF"`           'Switches to single-sweep mode.  
                  `"CALC:MARK:FUNC:TOI ON"`           'Switches the intercept measurement in screen A.  
                  `"INIT;*WAI"`                   'Starts a sweep and waits for the end.  
                  `"CALC:MARK:FUNC:TOI:RES?"`       'Outputs the measured value of screen A.

**Characteristics:** \*RST value:   -  
SCPI:               device-specific

**Mode:**            A, GSM/EDGE

This command is only a query and therefore has no \*RST value.

**CALCulate<1|2>:MARKer<1 to 4>:FUNCtion:CENTer**

This command sets the center frequency of the selected measurement window equal to the frequency of the indicated marker.

If marker 2, 3 or 4 is selected and used as delta marker, it is switched to the marker mode.

**Example:** "CALC:MARK2:FUNC:CENT" 'Sets the center frequency of screen A to the frequency of marker 2.

**Characteristics:** \*RST value: -  
SCPI: device-specific

**Mode:** A-F, GSM/EDGE

This command is an "event" and therefore has no \*RST value and no query.

**CALCulate<1|2>:MARKer<1 to 4>:FUNCtion:CSTep**

This command sets the step width of the center frequency in the selected measurement window to the X value of the current marker. If marker 2, 3 or 4 is selected and used as delta marker, it is switched to the marker mode.

**Example:** "CALC2:MARK3:FUNC:CST" 'Sets the center frequency of screen B to the 'same value as the frequency of marker 3.

**Characteristics:** \*RST value: -  
SCPI: device-specific

**Mode:** A-F, GSM/EDGE

This command is an event and therefore has no \*RST value and no query.

**CALCulate<1|2>:MARKer<1 to 4>:FUNCtion:REFerence**

This command sets the reference level in the selected measurement window to the power measured by the indicated marker. If marker 2, 3 or 4 is selected and used as delta marker, it is switched to marker mode.

**Example:** "CALC:MARK2:FUNC:REF" 'Sets the reference level of screen A to the the 'level of marker 2.

**Characteristics:** \*RST value: -  
SCPI: device-specific

**Mode:** A, GSM/EDGE

This command is an event and therefore has no \*RST value and no query.

## CALCulate:MARKer:FUNCTION:ADEMod Subsystem

The CALCulate:MARKer:FUNCTION:ADEMod subsystem contains the marker functions for the Option FM Demodulator FS-K7.

COMMAND	PARAMETERS	UNIT	COMMENT
CALCulate<1 2> :MARKer :FUNCTION :ADEMod :FM [:RESult<1...3>?] :AFRequency [:RESult<1...3>?] :FERRor [:RESult<1...3>?] :SINad :RESult<1...3>? :THD :RESult<1...3>? :CARRier [:RESult<1...3>?]	PPEak   MPEak   MIDDLE   RMS		Option FM-Demodulator query only query only query only query only query only query only

### CALCulate<1|2>:MARKer<1 to 4>:FUNCTION:ADEMod:FM[:RESult<1 to 3>]? PPEak | MPEak | MIDDLE | RMS

This command queries the results of FM modulation measurement. The numeric suffix marks the selected trace 1 to 3.

PPEak Result of measurement with detector +PK  
 MPEak Result of measurement with detector -PK  
 MIDDLE Result of averaging  $\pm$ PK/2  
 RMS Result of rms measurement

**Example:** "CALC:MARK:FUNC:ADEM:FM? PPE" 'Queries the peak value.'

**Characteristics:** \*RST value: -  
 SCPI: device-specific

**Mode:** FM

This command is only available with Option FS-K7 (FM Demodulator).

### CALCulate<1|2>:MARKer<1 to 4>:FUNCTION:ADEMod:AFRequency[:RESult<1 to 3>]?

This command queries the audio frequency with analog demodulation. The numeric suffix marks the selected trace 1 to 3.

**Note:** If several demodulation modes are activated simultaneously with commands SENS:ADEM:FM:TYPE, SENS:ADEM:RFP:TYPE, SENS:ADEM:FM:AFSP:TYPE or SENS:ADEM:RFP:AFSP, the audio frequency of the display mode selected with CALC:FEED is returned.

**Example:**      **Example:**      "ADEM ON"      'Switches on FM demodulator  
 "CALC:FEED 'XTIM:AM:TDOM"      'Switches on result display AM  
 or  
 "CALC:FEED 'XTIM:FM:TDOM"      'Switches on result display FM  
 or  
 "CALC:FEED 'XTIM:FM:AFSP"      'Switches on result displayAF spectrum of FM  
 "DISP:TRAC ON"      and trace

or

```
"CALC:FEED 'XTIM:RFP:AFSP" 'Switches on result display
"DISP:TRAC ON" 'AF spectrum of RF power
'signal and trace
"CALC:MARK:FUNC:ADEM:AFR? " 'Queries the audio frequency
```

**Characteristics:** \*RST value: -  
SCPI: device-specific

**Mode:** FM

This command is only available with Option FS-K7 (FM Demodulator).

### CALCulate<1|2>:MARKer<1 to 4>:FUNCTION:ADEMod:FERRor[:RESult<1 to 3>]?

This command queries the frequency error with FM demodulation. The numeric suffix marks the selected trace 1 to 3.

The offset thus determined differs from that calculated in the command [SENSe:]ADEMod:FM:OFFSet?, since, for determination of the frequency deviation, the modulation is removed by means of lowpass filtering, producing results that are different from those obtained by averaging with the SENSe:...command.

This command is only available for traces in the Result Display FM. If another result display is selected, the command is disabled.

**Example:** "ADEM ON" 'Switches on FM demodulator  
"CALC:FEED 'XTIM:FM:TDOM" 'Switches on result display FM  
"CALC:MARK:FUNC:ADEM:FERR? " 'Queries the frequency error of trace 1

**Characteristics:** \*RST value: -  
SCPI:device-specific

**Mode:** FM

This command is only available with option FS-K7 (FM Demodulator).

### CALCulate<1|2>:MARKer<1...4>:FUNCTION:ADEMod:SINad[:STATe] ON | OFF CALCulate<1|2>:MARKer<1...4>:FUNCTION:ADEMod:SINad:RESult<1...3>?

This command queries the result of the SINAD measurement. The numeric suffix (:RESult<1...3>) identifies the selected trace 1 to 3.

**Example:** "ADEM ON" 'Switches on FM demodulator  
"CALC:FEED 'XTIM:FM:AFSP" 'Switches on AF spectrum of FM  
"DISP:TRAC ON" 'and trace  
"CALC:MARK:FUNC:ADEM:SIN:RES? " 'Queries SINAD value

**Characteristics:** \*RST value: -  
SCPI: device-specific

**Mode:** FM

This command is a query only and thus has no \*RST value.

This command is only available with option FS-K7 (FM demodulator).



**CALCulate<1|2>:MARKer<1...4>:FUNCTION:ADEMod:THD:RESult<1...3>?**

This command queries the result of the THD measurement. The numeric suffix (:RESult<1...3>) marks the selected trace 1 to 3.

**Example:**

"ADEM ON"	'Switches on FM demodulator
"CALC:FEED XTIM:FM:AFSP"	'Switches on AF spectrum of FM
"DISP:TRAC ON"	'and trace
"CALC:MARK:FUNC:ADEM:THD:RES?"	'Queries THD result

**Characteristics:** \*RST value: -  
SCPI: device-specific

**Mode:** FM

This command is a query only and thus has no \*RST value.

This command is only available with option FS-K7 (FM demodulator).

**CALCulate<1|2>:MARKer<1 to 4>:FUNCTION:ADEMod:CARRier[:RESult<1 to 3>]?**

This command queries the carrier power.

With result display FM and SPECTRUM, the carrier power is determined from the current trace data (CLR/WRITE trace).

With result display RF Power, the carrier power is determined from trace 1 to 3 indicated in the numeric suffix.

**Example:**

"ADEM ON"	'Switches on FM demodulator
"CALC:FEED XTIM:RFP"	'Switches on result display RF POWER
"CALC:MARK:FUNC:ADEM:CARR?"	'Queries the carrier power

**Characteristics:** \*RST value: -  
SCPI: device-specific

**Mode:** FM

This command is only a query and therefore has no \*RST value. It is only available with option FS-K7 (FM demodulator).

## CALCulate:MARKer:FUNCTION:POWER Subsystem

The CALCulate:MARKer:FUNCTION:POWER subsystem contains the commands for control of power measurement.

COMMAND	PARAMETERS	UNIT	COMMENT
CALCulate<1 2> :MARKer :FUNCTION :POWER :SElect :RESult? :PHZ :PRESet  [:STATe]	ACPower   CPOWer   MCACpower   OBANdwidth   OBWidth   CN   CN0 ACPower   CPOWer   MCACpower   OBANdwidth   OBWidth   CN   CN0 <Boolean> <Boolean> NADC   TETRA   PDC   PHS   CDPD   FWCDma   RWCDma   F8CDma   R8CDma   F19Cdma   R19Cdma   FW3Gppcdma   RW3Gppcdma   D2CDma   S2CDma   M2CDma   FIS95A   RIS95A   FIS95C0   RIS95C0   FIS95C1   RIS95C1   FJ008   RJ008   TCDMa   NONE OFF		query only            no query

**CALCulate<1|2>:MARKer<1...4>:FUNCTION:POWER:SElect** ACPower | CPOWer | MCACpower |  
OBANdwidth | OBWidth | CN | CN0

This command selects – and switches on – one of the above types of power measurement in the selected measurement window. This function is independent of the selected marker, i.e. the numerical suffix <1...4> appended to MARKer has no effect.

The channel spacings and channel bandwidths are configured in the SENSE:POWER:ACHannel subsystem.

Please note the following:

If CPOWer is selected, the number of adjacent channels (command:

[SENSE:]POWER:ACHannel:ACPairs) is set to 0. If ACPower is selected, the number of adjacent channels is set to 1, unless adjacent-channel power measurement is switched on already.

With respect to the above two settings, the behaviour of the FSP differs from that of the FSE family.

**Note:** *The channel/adjacent-channel power measurement is performed for the trace selected with SENSE:POWER:TRACe 1|2|3.*

*This command is not available during an active GSM measurement.*

The occupied bandwidth measurement is performed for the trace on which marker 1 is positioned. To select another trace for the measurement, marker 1 is to be positioned on the desired trace by means of CALC:MARK:TRAC 1|2|3.

**Parameters:**

ACPower	Adjacent-channel power measurement with a single carrier signal
CPOWer	Channel power measurement with a single carrier signal (equivalent to adjacent-channel power measurement with <i>NO. OF ADJ CHAN</i> = 0)
MCACpower	Channel/adjacent-channel power measurement with several carrier signals
OBANdwidth   OBWidth	Measurement of occupied bandwidth
CN	Measurement of carrier-to-noise ratio

CN0 Measurement of carrier-to-noise ratio referenced to 1 Hz bandwidth

**Example:** "CALC:MARK:FUNC:POW:SEL ACP" 'Switches on adjacent-channel power measurement in window A.

**Characteristics:** \*RST value: -  
SCPI: device-specific

**Mode:** A-F

The parameters CN and CN0 are available only from firmware version 1.40.

**CALCulate<1|2>:MARKer<1...4>:FUNCTION:POWER:RESult?** ACPower | CPOWER | MCACpower | OBANdwidth | OBWidth | CN | CN0

This command queries the result of the power measurement performed in the selected window. If necessary, the measurement is switched on prior to the query.

The channel spacings and channel bandwidths are configured in the `SENSe:POWer:ACHannel` subsystem.

To obtain a valid result, a complete sweep with synchronization to the end of the sweep must be performed before a query is output. Synchronization is possible only in the single-sweep mode.

**Note:** *This command is not available during an active GSM measurement.*

*The parameters CN and CN0 are available only from firmware version 1.40.*

#### Parameters:

**ACPower:** Adjacent-channel power measurement  
Results are output in the following sequence, separated by commas:

1. Power of transmission channel
2. Power of lower adjacent channel
3. Power of upper adjacent channel
4. Power of lower alternate channel 1
5. Power of upper alternate channel 1
6. Power of lower alternate channel 2
7. Power of upper alternate channel 2

The number of measured values returned depends on the number of adjacent/alternate channels selected with `SENSe:POWer:ACHannel:ACPairs`.

With logarithmic scaling (RANGE LOG), the power is output in the currently selected level unit; with linear scaling (RANGE LIN dB or LIN %), the power is output in W. If `SENSe:POWer:ACHannel:MODE REL` is selected, the adjacent/alternate-channel power is output in dB.

<b>CPOWer</b>	<p>Channel power measurement</p> <p>With logarithmic scaling (RANGE LOG), the channel power is output in the currently selected level unit; with linear scaling (RANGE LIN dB or LIN %), the channel power is output in W.</p>
<b>MCACpower:</b>	<p>Channel/adjacent-channel power measurement with several carrier signals</p> <p>Results are output in the following sequence, separated by commas:</p> <ol style="list-style-type: none"> <li>1. Power of carrier signal 1</li> <li>2. Power of carrier signal 2</li> <li>3. Power of carrier signal 3</li> <li>4. Power of carrier signal 4</li> <li>5. Total power of all carrier signals</li> <li>6. Power of lower adjacent channel</li> <li>7. Power of upper adjacent channel</li> <li>8. Power of lower alternate channel 1</li> <li>9. Power of upper alternate channel 1</li> <li>10. Power of lower alternate channel 2</li> <li>11. Power of upper alternate channel 2</li> </ol> <p>The number of measured values returned depends on the number of carrier signals and adjacent/alternate channels selected with <code>SENSE:POWer:ACHannel:TXChannel:COUNT</code> and <code>SENSE:POWer:ACHannel:ACPairs</code>.</p> <p>If only one carrier signal is measured, the total value of all carrier signals will not be output.</p> <p>With logarithmic scaling (RANGE LOG), the power is output in dBm; with linear scaling (RANGE LIN dB or LIN %), the power is output in W. If <code>SENSE:POWer:ACHannel:MODE REL</code> is selected, the adjacent/alternate-channel power is output in dB.</p>
<b>OBANdwidth   OBWidth</b>	<p>Measurement of occupied bandwidth</p> <p>The occupied bandwidth in Hz is returned.</p>
<b>CN</b>	<p>Measurement of carrier-to-noise ratio</p> <p>The carrier-to-noise ratio in dB is returned.</p>
<b>CNO</b>	<p>Measurement of carrier-to-noise ratio referenced to 1 Hz bandwidth.</p> <p>The carrier-to-noise ratio in dB/Hz is returned.</p>

**Example of channel/adjacent-channel power measurement:**

"SENS2:POW:ACH:ACP 3"	'Sets the number of adjacent/alternate channels in screen B to 3.
"SENS2:POW:ACH:BAND 30KHZ"	'Sets the bandwidth of the transmission channel to 30 kHz.
"SENS2:POW:ACH:BAND:ACH 40KHZ"	'Sets the bandwidth of each adjacent channel to 40 kHz.
"SENS2:POW:ACH:BAND:ALT1 50KHZ"	'Sets the bandwidth of each alternate channel to 50 kHz.
"SENS2:POW:ACH:BAND:ALT2 60KHZ"	'Sets the bandwidth of alternate channel 2 to 60 kHz.
"SENS2:POW:ACH:SPAC 30KHZ"	'Sets the spacing between the transmission channel and the adjacent channel to 30 kHz, the spacing between the transmission channel and alternate channel 1 to 60 kHz, and the spacing between the transmission channel and alternate channel 2 to 90 kHz.
"SENS2:POW:ACH:SPAC:ALT1 100KHZ"	'Sets the spacing between the transmission channel and alternate channel 1 to 100 kHz, and the spacing between the transmission channel and alternate channel 2 to 150 kHz.
"SENS2:POW:ACH:SPAC:ALT2 140KHZ"	'Sets the spacing between the transmission channel and alternate channel 2 to 140 kHz.
"SENS2:POW:ACH:MODE ABS"	'Switches on absolute power measurement.
"CALC2:MARK:FUNC:POW:SEL ACP"	'Switches on the adjacent-channel power measurement in screen B.
"INIT:CONT OFF"	'Switches over to single-sweep mode.
"INIT;*WAI"	'Starts a sweep and waits for the end of the sweep.
"CALC2:MARK:FUNC:POW:RES? ACP"	'Queries the result of adjacent-channel power measurement in screen B.
"SENS2:POW:ACH:REF:AUTO ONCE"	'Defines the measured channel power as the reference value for relative power measurements.

If the **channel power only** is to be measured, all commands relating to adjacent/alternate channel bandwidth and channel spacings are omitted. The number of adjacent/alternate channels is set to 0 with SENS2:POW:ACH:ACP 0.

**Example of occupied bandwidth measurement:**

"SENS2:POW:BAND 90PCT"	'Defines 90% as the percentage of the power to be contained in the bandwidth range to be measured.
"INIT:CONT OFF"	'Switches over to single-sweep mode.
"INIT;*WAI"	'Starts a sweep and waits for the end of the sweep.
"CALC2:MARK:FUNC:POW:RES? OBW"	'Queries the occupied bandwidth measured in screen B.

**Characteristics:** \*RST value: -  
SCPI: device-specific

**Mode:** A-F

This command is a query and therefore has no \*RST value.

**CALCulate<1|2>:MARKer<1 to 4>:FUNCTION:POWER:RESult:PHZ ON | OFF**

This command switches the query response of the power measurement results in the indicated measurement window between output of absolute values (OFF) and output referred to the measurement bandwidth (ON).

The measurement results are output with `CALCulate:MARKer:FUNCTION:POWER:RESult?`

**Note:** This command is not available during active GSM measurements.

**Parameter:**

**ON:** Results output referred to measurement bandwidth.

**OFF:** Results output in absolute values.

**Example of channel/adjacent channel measurement:**

"SENS2:POW:ACH:ACP 3"	'Sets the number of adjacent channels in screen B to 3.
"SENS2:POW:ACH:BAND 30KHZ"	'Sets the bandwidth of the main channel to 30 kHz.
"SENS2:POW:ACH:BAND:ACH 40KHZ"	'Sets the bandwidth of all adjacent channels to 40 kHz.
"SENS2:POW:ACH:BAND:ALT1 50KHZ"	'Sets the bandwidth of all alternate adjacent channels to 50 kHz.
"SENS2:POW:ACH:BAND:ALT2 60KHZ"	'Sets the bandwidth of alternate adjacent channel 2 to 60 kHz.
"SENS2:POW:ACH:SPAC 30KHZ"	'Sets the spacing between channel and adjacent channel as well as between all adjacent channels to 30 kHz.
"SENS2:POW:ACH:SPAC:ALT1 40KHZ"	'Sets the spacing between adjacent channel and alternate adjacent channel as well as between all alternate adjacent channels to 40 kHz.
"SENS2:POW:ACH:SPAC:ALT2 50KHZ"	'Sets the spacing between alternate adjacent channel 1 and alternate adjacent channel 2 to 50 kHz.
"SENS2:POW:ACH:MODE ABS"	'Switches on absolute power measurement.
"CALC2:MARK:FUNC:POW:SEL ACP"	'Switches the adjacent channel power measurement in screen B.
"INIT:CONT OFF"	'Switches to single-sweep mode.
"INIT:*WAI"	'Starts a sweep and waits for the end.
"CALC2:MARK:FUNC:POW:RES:PHZ ON"	'Output of results referred to the channel bandwidth.
"CALC2:MARK:FUNC:POW:RES? ACP"	'Queries the result of the adjacent channel power measurement in screen B referred to the channel bandwidth.

If only the **channel power** is to be measured, all commands for defining the bandwidths of adjacent channels as well as the channel spacings are not necessary. The number of adjacent channels is set to 0 with `SENS2:POW:ACH:ACP 0`.

**Characteristics:** \*RST value: -  
SCPI: device-specific

**Mode:** A-F

**CALCulate<1|2>:MARKer<1 to 4>:FUNCTION:POWER[:STATe] OFF**

This command switches off the power measurement in the selected measurement window.

**Note:** This command is not available during active GSM measurements.

**Example:** "CALC:MARK:FUNC:POW OFF" Switches off the power measurement in screen B.

**Characteristics:** \*RST value: -  
SCPI: device-specific

**Mode:** A-F

This command is an event and therefore has no \*RST value.

**CALCulate<1|2>:MARKer<1 to 4>:FUNCTION:POWER:PRESet** NADC | TETRA | PDC | PHS | CDPD |  
FWCDma | RWCDma | F8CDma |  
R8CDma | F19CDma | R19CDma |  
FW3Gppcdma | RW3Gppcdma |  
D2CDma | S2CDma | M2CDma |  
FIS95A | RIS95A | FIS95C0 | RIS95C0  
| FJ008 | RJ008 | FIS95C1 | RIS95C1 |  
TCDMa | NONE

This command selects the power measurement setting for a standard in the indicated measurement window and previously switches on the corresponding measurement, if required. The function is independent of the marker selection, i.e. the numeric suffix <1 to 4> of MARKer is irrelevant.

The configuration for a standard comprises of the parameters weighting filter, channel bandwidth and spacing, resolution and video bandwidth, as well as detector and sweep time.

Meaning of the CDMA standard abbreviations:

FIS95A, F8CDma	CDMA IS95A forward
RIS95A, R8CDma	CDMA IS95A reverse
FJ008, F19CDma	CDMA J-STD008 forward
RJ008, R19CDma	CDMA J-STD008 reverse
FIS95C0	CDMA IS95C Class 0 forward
RIS95C0	CDMA IS95C Class 0 reverse
FIS95C1	CDMA IS95C Class 1 forward
RIS95C1	CDMA IS95C Class 1 reverse
FWCDma	W-CDMA 4.096 MHz forward
RWCDma	W-CDMA 4.096 MHz reverse
FW3Gppcdma	W-CDMA 3.84 MHz forward
RW3Gppcdma	W-CDMA 3.84 MHz reverse
D2CDma	CDMA 2000 direct sequence
S2CDma	CDMA 2000 MC1 multi carrier with 1 carrier
M2CDma	CDMA 2000 MC3 multi carrier with 3 carriers
TCDMa	TD-SCDMA

**Notes:** The settings for standards IS95A and C differ as far as the calculation method of channel spacings is concerned. For IS95A and J-STD008 the spacing is calculated from the center of the main channel to the center of the corresponding adjacent channel, for IS95C from the center of the main channel to the nearest border of the adjacent channel.

This command is not available during active GSM measurements.

**Example:** "CALC2:MARK:FUNC:POW:PRESet NADC" 'Selects the standard setting for 'NADC in screen B

**Characteristics:** \*RST value: -  
SCPI: device-specific

**Mode:** A-F

## CALCulate:MARKer:FUNCTION:STRack Subsystem

The CALCulate:MARKer:FUNCTION:STRack subsystem defines the settings of the signal track.

COMMAND	PARAMETERS	UNIT	COMMENT
CALCulate<1 2> :MARKer :FUNCTION :STRack [:STATe] :BANDwidth :BWIDth :THReshold :TRACe	<Boolean> <numeric_value> <numeric_value> <numeric_value> <numeric_value>	 HZ HZ DBM	

## CALCulate&lt;1|2&gt;:MARKer&lt;1 to 4&gt;:FUNCTION:STRack[:STATe] ON | OFF

This command switches the signal-track function on or off for the the selected measurement window. The function is independent of the selected marker, i.e. the numeric suffix <1 to 4> of MARKer is irrelevant.

With signal track activated, the maximum signal is determined after each frequency sweep and the center frequency is set to the frequency of this signal. Thus with drifting signals the center frequency follows the signal.

**Example:** "CALC:MARK:FUNC:STR ON" 'Switches on the signal track function for 'screen A.

**Characteristics:** \*RST value: OFF  
SCPI: device-specific

**Mode:** A-F, GSM/EDGE

## CALCulate&lt;1|2&gt;:MARKer&lt;1 to 4&gt;:FUNCTION:STRack:BANDwidth 10Hz to MAX(SPAN)

## CALCulate&lt;1|2&gt;:MARKer&lt;1 to 4&gt;:FUNCTION:STRack:BWIDth 10Hz to MAX(SPAN)

These commands have the same function. For the selected measurement window they define the bandwidth around the center frequency within which the largest signal is searched. The function is independent of the selected marker, i.e. the numeric suffix <1 to 4> of MARKer is irrelevant. It is only available in the frequency domain (span > 0).

**Note:** The entry of the search bandwidth is only possible if the Signal Track function is switched on (CALC:MARK:FUNC:STR ON).

**Example:** "CALC:MARK:FUNC:STR:BAND 1MHZ" 'Sets the search bandwidth for screen 'A to 1 MHz.

"CALC:MARK:FUNC:STR:BWID 1MHZ" 'Alternative command for the same function.

**Characteristics:** \*RST value: -- (= span/10 on activating the function)  
SCPI: device-specific

**Mode:** A-F, GSM/EDGE



**CALCulate<1|2>:MARKer<1 to 4>:FUNCtion:STRack:THReshold** -330dBm to +30dBm

This command defines the threshold above which the largest signal is searched for in the selected measurement window. The function is independent of the selected marker, i.e. the numeric suffix <1 to 4> of MARKer is irrelevant. It is only available in the frequency domain (span > 0)..

The response unit depends on the settings defined with CALC:UNIT.

**Note:** *The entry of the search bandwidth is only possible if the Signal Track function is switched on (CALC:MARK:FUNC:STR ON).*

**Example:** "CALC:MARK:FUNC:STR:THR -50DBM" 'Sets the threshold for signal tracking  
'in screen A to -50 dBm.

**Characteristics:** \*RST value: -120 dBm  
SCPI: device-specific

**Mode:** A-F, GSM/EDGE

**CALCulate<1|2>:MARKer<1 to 4>:FUNCtion:STRack:TRACe** 1 to 3

This command defines the trace on which the largest signal is searched for in the selected measurement window. The function is independent of the selected marker, i.e. the numeric suffix <1 to 4> of MARKer is irrelevant. It is only available in the frequency domain (span > 0).

**Example:** "CALC2:MARK:FUNC:STR:TRAC 3" 'Defines trace 3 in screen B as the  
'trace for signal tracking.

**Characteristics:** \*RST value: 1  
SCPI: device-specific

**Mode:** A-F, GSM/EDGE



**CALCulate<1|2>:MARKer<1 to 4>:FUNCtion:SUMMary[:STATe] ON | OFF**

This command switches on or off the previously selected time domain power measurements. Thus one or several measurements can be first selected and then switched on and off together with `CALC:MARK:FUNC:SUMM:STATe`.

The function is independent of the marker selection, i.e. the suffix of `MARKer` is irrelevant. It is only available in the time domain (`span = 0`).

**Example:** `"CALC:MARK:FUNC:SUMM:STAT ON"`

**Characteristics:** \*RST value: OFF  
SCPI: device-specific

**Mode:** A-T, MS

**CALCulate<1|2>:MARKer<1 to 4>:FUNCtion:SUMMary:PPEak[:STATe] ON | OFF**

This command switches on or off the measurement of the positive peak value in the selected measurement window.

The function is independent of the marker selection, i.e. the numeric suffix <1 to 4> of `MARKer` is irrelevant. It is only available in the time domain (`span = 0`).

**Example:** `"CALC:MARK:FUNC:SUMM:PPE ON"` 'Switches on the function in screen A.

**Characteristics:** \*RST value: OFF  
SCPI: device-specific

**Mode:** A-T, MS

**CALCulate<1|2>:MARKer<1 to 4>:FUNCtion:SUMMary:PPEak:RESult?**

This command is used to query the result of the measurement of the positive peak value in the selected measurement window. The measurement may have to be switched on previously.

The function is independent of the marker selection, i.e. the numeric suffix <1 to 4> of `MARKer` is irrelevant. It is only available in the time domain (`span = 0`).

A complete sweep with synchronization to sweep end must be performed between switching on the function and querying the measured value to obtain a valid query result. This is only possible in single sweep mode.

**Example:** `"INIT:CONT OFF"` 'Switches to single-sweep mode.  
`"CALC:MARK:FUNC:SUMM:PPE ON"` 'Switches on the function in screen A.  
`"INIT;*WAI"` 'Starts a sweep and waits for the end.  
`"CALC:MARK:FUNC:SUMM:PPE:RES?"` 'Outputs the result of screen A.

**Characteristics:** \*RST value: -  
SCPI: device-specific

**Mode:** A-T, MS

This command is only a query and therefore has no \*RST value.

**CALCulate<1|2>:MARKer<1 to 4>:FUNction:SUMMary:PPEak:AVERage:RESult?**

This command is used to query the result of the measurement of the averaged positive peak value in the selected measurement window. The query is only possible if averaging has been activated previously using CALCulate<1|2>:MARKer<1 to 4>:FUNction:SUMMary:AVERage.

The function is independent of the marker selection, i.e. the numeric suffix <1 to 4> in MARKer is irrelevant. It is only available in the time domain (span = 0).

A complete sweep with synchronization to sweep end must be performed between switching on the function and querying the measured value to obtain a valid query result. This is only possible in single sweep mode.

**Example:**

"INIT:CONT OFF"	'Switches to single-sweep mode.
"CALC:MARK:FUNC:SUMM:PPE ON"	'Switches on the function in screen A.
"CALC:MARK:FUNC:SUMM:AVER ON"	'Switches on the calculation of average in screen A.
"INIT;*WAI"	'Starts a sweep and waits for the end.
"CALC:MARK:FUNC:SUMM:PPE:AVER:RES?"	'Outputs the result of screen A.

**Characteristics:** \*RST value: -  
SCPI: device-specific

**Mode:** A-T, MS

This command is only a query and therefore has no \*RST value.

**CALCulate<1|2>:MARKer<1 to 4>:FUNction:SUMMary:PPEak:PHOLd:RESult?**

This command is used to query the result of the measurement of the positive peak value with active peak hold function. The query is only possible if the peak hold function has been activated previously using CALCulate<1|2>:MARKer<1 to 4>:FUNction:SUMMary:PHOLd.

The function is independent of the marker selection, i.e. the numeric suffix <1 to 4> of :MARKer is irrelevant. It is only available in the time domain (span = 0).

A complete sweep with synchronization to sweep end must be performed between switching on the function and querying the measured value to obtain a valid query result. This is only possible in single sweep mode.

**Example:**

"INIT:CONT OFF"	'Switches to single-sweep mode.
"CALC:MARK:FUNC:SUMM:PPE ON"	'Switches on the function in screen A.
"CALC:MARK:FUNC:SUMM:PHOL ON"	'Switches on the measurement of the peak value in screen A.
"INIT;*WAI"	'Starts a sweep and waits for the end.
"CALC:MARK:FUNC:SUMM:PPE:PHOL:RES?"	'Outputs the result of screen A.

**Characteristics:** \*RST value: -  
SCPI: device-specific

**Mode:** A-T, MS

This command is only a query and therefore has no \*RST value.

**CALCulate<1|2>:MARKer<1 to 4>:FUNCtion:SUMMary:RMS[:STATe] ON | OFF**

This command switches on or off the measurement of the effective (RMS) power in the selected measurement window. If necessary the function is switched on previously.

The function is independent of the marker selection, i.e. the numeric suffix <1 to 4> of :MARKer is irrelevant. It is only available in the time domain (span = 0).

**Example:** "CALC2:MARK:FUNC:SUM:RMS ON" 'Switches on the function in screen B.

**Characteristics:** \*RST value: OFF  
SCPI: device-specific

**Mode:** A-T, GSM/EDGE

**CALCulate<1|2>:MARKer<1 to 4>:FUNCtion:SUMMary:RMS:RESult?**

This command queries the result of the measurement of the RMS power value in the selected measurement window.

The function is independent of the marker selection, i.e. the numeric suffix <1 to 4> of :MARKer is irrelevant. It is only available in the time domain (span = 0).

A complete sweep with synchronization to sweep end must be performed between switching on the function and querying the measured value to obtain a valid query result. This is only possible in single sweep mode.

**Example:** "INIT:CONT OFF" 'Switches to single-sweep mode.  
"CALC:MARK:FUNC:SUMM:RMS ON" 'Switches on the function in screen A.  
"INIT;\*WAI" 'Starts a sweep and waits for the end.  
"CALC:MARK:FUNC:SUMM:RMS:RES?" 'Outputs the result of screen A.

**Characteristics:** \*RST- value: -  
SCPI: device-specific

**Mode:** A-T, GSM/EDGE

This command is only a query and therefore has no \*RST value.

**CALCulate<1|2>:MARKer<1 to 4>:FUNCtion:SUMMary:RMS:AVERAge:RESult?**

This command queries the result of the measurement of the averaged RMS value in the selected measurement window. The query is only possible if averaging has been activated previously using CALCulate<1|2>:MARKer<1 to 4>:FUNCtion:SUMMary:AVERAge.

The function is independent of the marker selection, i.e. the numeric suffix <1 to 4> of :MARKer is irrelevant. It is only available in the time domain (span = 0).

A complete sweep with synchronization to sweep end must be performed between switching on the function and querying the measured value to obtain a valid query result. This is only possible in single sweep mode.

**Example:** "INIT:CONT OFF" 'Switches to single-sweep mode.  
"CALC:MARK:FUNC:SUMM:RMS ON" 'Switches on the function in screen A.  
"CALC:MARK:FUNC:SUMM:AVER ON" 'Switches on the average value calculation in screen A.  
"INIT;\*WAI" 'Starts a sweep and waits for the end.  
"CALC:MARK:FUNC:SUMM:RMS:AVER:RES?" 'Outputs the result of screen A.

**Characteristics:** \*RST- value: -  
SCPI: device-specific

**Mode:** A-T, GSM/EDGE

This command is only a query and therefore has no \*RST value.

**CALCulate<1|2>:MARKer<1 to 4>:FUNCTION:SUMMARY:RMS:PHOLD:RESult?**

This command queries the result of the measurement of the RMS value with active peak hold in the selected measurement window. The query is only possible only if the peak hold function has been activated previously using CALCulate<1|2>:MARKer<1 to 4>:FUNCTION:SUMMARY:PHOLD. The function is independent of the marker selection, i.e. the numeric suffix <1 to 4> of :MARKer is irrelevant. It is only available in the time domain (span = 0).

A complete sweep with synchronization to sweep end must be performed between switching on the function and querying the measured value to obtain a valid query result. This is only possible in single sweep mode.

**Example:**

"INIT:CONT OFF"	'Switches to single-sweep mode.
"CALC:MARK:FUNC:SUMM:RMS ON"	'Switches on the function in screen A.
"CALC:MARK:FUNC:SUMM:PHOL ON"	'Switches on the peak value measurement in screen A.
"INIT;*WAI"	'Starts a sweep and waits for the end.
"CALC:MARK:FUNC:SUMM:RMS:PHOL:RES?"	'Outputs the result of screen A.

**Characteristics:** \*RST- value: -  
SCPI: device-specific

**Mode:** A-T, GSM/EDGE

This command is only a query and therefore has no \*RST value.

**CALCulate<1|2>:MARKer<1 to 4>:FUNCTION:SUMMARY:MEAN[:STATe] ON | OFF**

This command switches on or off the measurement of the mean value in the selected measurement window.

The function is independent of the marker selection, i.e. the numeric suffix <1 to 4> of :MARKer is irrelevant. It is only available in the time domain (span = 0)..

**Note:** *The measurement is performed on the trace on which marker 1 is positioned. In order to evaluate another trace, marker 1 must be positioned on another trace with CALC:MARK:TRAC 1|2|3.*

**Example:** "CALC:MARK:FUNC:SUMM:MEAN ON" 'Switches on the function in screen A.

**Characteristics:** \*RST value: OFF  
SCPI: device-specific

**Mode:** A-T, GSM/EDGE

**CALCulate<1|2>:MARKer<1 to 4>:FUNCTION:SUMMARY:MEAN:RESult?**

This command queries the result of the measurement of the mean value in the selected measurement window. The function is independent of the marker selection, i.e. the numeric suffix <1 to 4> of :MARKer is irrelevant. It is only available in the time domain (span = 0).

A complete sweep with synchronization to sweep end must be performed between switching on the function and querying the measured value to obtain a valid query result. This is only possible in single sweep mode.

**Example:**

"INIT:CONT OFF"	'Switches to single-sweep mode.
"CALC:MARK:FUNC:SUMM:MEAN ON"	'Switches on the function in screen A.
"INIT;*WAI"	'Starts a sweep and waits for the end.
"CALC:MARK:FUNC:SUMM:MEAN:RES?"	'Outputs the result of screen A.

**Characteristics:** \*RST- value: -  
SCPI: device-specific

**Mode:** A-T, GSM/EDGE

This command is only a query and therefore has no \*RST value.

**CALCulate<1|2>:MARKer<1 to 4>:FUNction:SUMMary:MEAN:AVERage:RESult?**

This command queries the result of the measurement of the averaged mean value in the selected measurement window. The query is only possible if averaging has been activated previously using CALCulate<1|2>:MARKer<1 to 4>:FUNction: SUMMary:AVERage.

The function is independent of the marker selection, i.e. the numeric suffix <1 to 4> of :MARKer is irrelevant. It is only available in the time domain (span = 0).

A complete sweep with synchronization to sweep end must be performed between switching on the function and querying the measured value to obtain a valid query result. This is only possible in single sweep mode.

**Example:**

"INIT:CONT OFF"	'Switches to single-sweep mode.
"CALC:MARK:FUNC:SUMM:MEAN ON"	'Switches on the function in screen A.
"CALC:MARK:FUNC:SUMM:AVER ON"	'Switches on the average value calculation in screen A.
"INIT;*WAI"	'Starts a sweep and waits for the end.
"CALC:MARK:FUNC:SUMM:MEAN:AVER:RES?"	'Outputs the result of screen A.

**Characteristics:** \*RST- value: -  
SCPI: device-specific

**Mode:** A-T, GSM/EDGE

This command is only a query and therefore has no \*RST value.

**CALCulate<1|2>:MARKer<1 to 4>:FUNction:SUMMary:MEAN:PHOLd:RESult?**

This command queries the result of the measurement of the mean value with active peak hold in the selected measurement window. The query is only possible if the peak hold function has been switched on previously using CALCulate<1|2>:MARKer<1 to 4>:FUNction:SUMMary:PHOLd.

The query is possible only if the peak hold function is active. The function is independent of the marker selection, i.e. the numeric suffix <1 to 4> of :MARKer is irrelevant. It is only available in the time domain (span = 0).

A complete sweep with synchronization to sweep end must be performed between switching on the function and querying the measured value to obtain a valid query result. This is only possible in single sweep mode.

**Example:**

"INIT:CONT OFF"	'Switches to single-sweep mode
"CALC:MARK:FUNC:SUMM:MEAN ON"	'Switches on the function in screen A
"CALC:MARK:FUNC:SUMM:PHOL ON"	'Switches on the peak value measurement in screen A
"INIT;*WAI"	'Starts a sweep and waits for the end
"CALC:MARK:FUNC:SUMM:MEAN:PHOL:RES?"	'Outputs the result of screen A.

**Characteristics:** \*RST- value: -  
SCPI: device-specific

**Mode:** A-T, GSM/EDGE

This command is only a query and therefore has no \*RST value.

**CALCulate<1|2>:MARKer<1 to 4>:FUNCTION:SUMMARY:SDEVIation[:STATe] ON | OFF**

This command switches on or off the measurement of the standard deviation in the selected measurement window. The function is independent of the marker selection, i.e. the numeric suffix <1 to 4> of :MARKer is irrelevant. It is only available in the time domain (span = 0)..

On switching on the measurement, the mean power measurement is switched on as well.

**Example:** "CALC2:MARK:FUNC:SUMM:SDEV ON" 'Switches on the measurement of  
'the standard deviation in screen B.

**Characteristics:** \*RST value: OFF  
SCPI: device-specific

**Mode:** A, GSM/EDGE

**CALCulate<1|2>:MARKer<1 to 4>:FUNCTION:SUMMARY:SDEVIation:RESult?**

This command queries the results of the standard deviation measurement. The function is independent of the marker selection, i.e. the numeric suffix <1 to 4> of :MARKer is irrelevant. It is only available in the time domain (span = 0).

A complete sweep with synchronization to sweep end must be performed between switching on the function and querying the measured value to obtain a valid query result. This is only possible in single sweep mode.

**Example:** "INIT:CONT OFF" 'Switches to single-sweep mode.  
"CALC:MARK:FUNC:SUMM:SDEV ON" 'Switches on the function in screen A.  
"INIT;\*WAI" 'Starts a sweep and waits for the end.  
"CALC:MARK:FUNC:SUMM:SDEV:RES?" 'Outputs the result of screen A.

**Characteristics:** \*RST value: -  
SCPI: device-specific

**Mode:** A-T, GSM/EDGE

This command is only a query and therefore has no \*RST value.

**CALCulate<1|2>:MARKer<1 to 4>:FUNCTION:SUMMARY:SDEVIation:AVERAge:RESult?**

This command queries the result of the averaged standard deviation determined in several sweeps in the selected measurement window. The query is possible only if averaging is active. The function is independent of the marker selection, i.e. the numeric suffix <1 to 4> of :MARKer is irrelevant. It is only available in the time domain (span = 0).

A complete sweep with synchronization to sweep end must be performed between switching on the function and querying the measured value to obtain a valid query result. This is only possible in single sweep mode.

**Example:** "INIT:CONT OFF" 'Switches to single-sweep mode.  
"CALC:MARK:FUNC:SUMM:SDEV ON" 'Switches on the function in screen A.  
"CALC:MARK:FUNC:SUMM:AVER ON" 'Switches on the calculation of average  
'in screen A.  
"INIT;\*WAI" 'Starts a sweep and waits for the end.  
"CALC:MARK:FUNC:SUMM:MEAN:SDEV:RES?" 'Outputs the result of screen A.

**Characteristics:** \*RST value: -  
SCPI: device-specific

**Mode:** A-T, GSM/EDGE

This command is only a query and therefore has no \*RST value.



**CALCulate<1|2>:MARKer<1 to 4>:FUNCTION:SUMMARY:SDEVIation:PHOLd:RESult?**

This command queries the maximum standard deviation value determined in several sweeps in the selected measurement window. The query is possible only if the peak hold function is active.

The function is independent of the marker selection, i.e. the numeric suffix <1 to 4> of :MARKer is irrelevant. It is only available in the time domain (span = 0).

A complete sweep with synchronization to sweep end must be performed between switching on the function and querying the measured value to obtain a valid query result. This is only possible in single sweep mode.

**Example:**

"INIT:CONT OFF"	'Switches to single-sweep mode.
"CALC:MARK:FUNC:SUMM:SDEV ON"	'Switches on the function in screen A.
"CALC:MARK:FUNC:SUMM:PHOL ON"	'Switches on the peak value measurement in screen A.
"INIT;*WAI"	'Starts a sweep and waits for the end.
"CALC:MARK:FUNC:SUMM:SDEV:PHOL:RES?"	'Outputs the result of screen A.

**Characteristics:** \*RST value: -  
SCPI: device-specific

**Mode:** A-T, GSM/EDGE

This command is only a query and therefore has no \*RST value.

**CALCulate<1|2>:MARKer<1 to 4>:FUNCTION:SUMMARY:PHOLd ON | OFF**

This command switches on or off the peak-hold function for the active time domain power measurement in the indicated measurement window. The function is independent of the marker selection, i.e. the numeric suffix <1 to 4> of :MARKer is irrelevant. It is only available in the time domain (span = 0).

The peak-hold function is reset by switching it off and on again.

**Example:** "CALC:MARK:FUNC:SUMM:PHOL ON" 'Switches on the function in screen A.

**Characteristics:** \*RST value: OFF  
SCPI: device-specific

**Mode:** A-T, GSM/EDGE

The peak-hold function is reset by switching off and on, again.

**CALCulate<1|2>:MARKer<1 to 4>:FUNCTION:SUMMARY:AVERAge ON | OFF**

This command switches on or off averaging for the active time domain power measurement in the indicated window. The function is independent of the marker selection, i.e. the numeric suffix <1 to 4> of :MARKer is irrelevant. It is only available in the time domain (span = 0).

Averaging is reset by switching it off and on again.

The number of results required for the calculation of average is defined with [SENSe<1|2>:]AVERAge:COUNT.

It should be noted that synchronization to the end of averaging is only possible in single sweep mode.

**Example:**

"INIT:CONT OFF"	'Switches to single-sweep mode.
"CALC2:MARK:FUNC:SUMM:AVER ON"	'Switches on the calculation of average in screen B.
"AVER:COUN 200"	'Sets the measurement counter to 200.
"INIT;*WAI"	'Starts a sweep and waits for the end.

**Characteristics:** \*RST value: OFF  
SCPI: device-specific

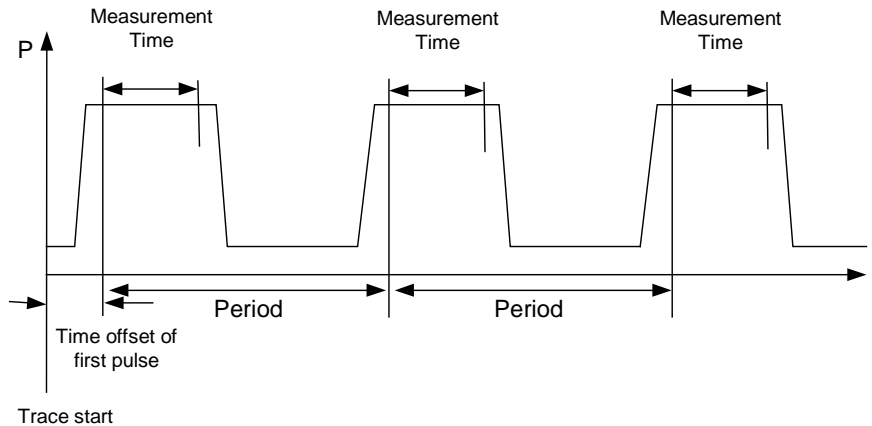
**Mode:** A-T, GSM/EDGE



**CALCulate<1|2>:MARKer<1 to 4>:FUNCtion:MSUMmary?** <time offset of first pulse>, <measurement time>, <period>, < # of pulses to measure>

The commands of this subsystem are used to determine the power of a sequence of signal pulses having the same interval, as are typical for the slots of a GSM signal, for example. The number of pulses to be measured as well as the measurement time and the period can be set. To define the position of the first pulse in the trace, a suitable offset can be entered.

The evaluation is performed on the measurement data of a previously recorded trace. The data recorded during the set measurement time is combined to a measured value for each pulse according to the detector specified and the indicated number of results is output as a list.



TRACE 1 of the selected screen is always used by the function. The suffix of MARKer will be ignored.

<b>Example:</b>	"DISP:WIND:TRAC:Y:RLEV -10dBm"	'Sets the reference level to 10 dB
	"INP:ATT 30 dB"	'Sets the input attenuation to 30 dB
	"FREQ:CENT 935.2MHz;SPAN 0Hz"	'Sets the receive frequency to 935.2 MHz 'and the span to 0 Hz
	"BAND:RES 1MHz;VID 3MHz"	'Sets the resolution bandwidth to 1 MHz 'and the video bandwidth to 3 MHz
	"DET RMS"	'Sets the RMS detector
	"TRIG:SOUR VID;LEV:VID 50 PCT"	'Selects the trigger source VIDEo and sets the level of the video trigger source to 50 PCT
	"SWE:TIME 50ms"	'Sets the sweep time to 50 ms
	"INIT;*WAI"	'Starts the measurement with synchronization
	"CALC:MARK:FUNC:MSUM? 50US,450US,576.9US,8"	'Queries 8 bursts with an offset of 50 $\mu$ s, a 'test time of 450 $\mu$ s and a period of 576.9 $\mu$ s

**Characteristics:** \*RST value:-  
SCPI:device-specific

**Mode:** A-Z

This command is only available from firmware 1.30 on.

## CALCulate:MARKer:FUNCTION-Subsystem - WCDMA 3GP FDD BTS and GSM/EDGE (FS-K72/K73)

The measurement windows are selected by CALCulate1 (screen A) or CALCulate2 (screen B).

Command	Parameter	Unit	Comment
CALCulate<1 2> :MARKer<1 to 4> :FUNCTION :CPICH :PCCPch :DPCCh :WCDPower [:BTS] :RESult?	PTOTAL   FERRor   TFRame   TOFFset   MACCuracy   PCDError   EVMRms   EVMPeak   CERRor   CSLot   SRATe   CHANnel   CDPabsolute   CDPRelative   IQOFFset   IQIMbalance		no query, FS-K72 no query, FS-K72 no query, FS-K73  Query only, FS-K72
:MS :RESult?	PTOTAL   FERRor   TFRame   PSYMBOL   MACCuracy   PCDError   EVMRms   EVMPeak   CERRor   CMAPping   SRATe   CHANnel   CDPabsolute   CDPRelative   IQOFFset   IQIMbalance		Query only, FS-K73

### CALCulate<1|2>:MARKer<1>:FUNCTION:CPICH

This command sets the marker to channel 0.

The numeric suffix in CALCulate that is required or permissible depends on the selected display mode for which the marker is to be valid and has to coincide with it:

CALCulate<1> for CDP absolute and relative

CALCulate2 for modulation accuracy, peak code domain error, power versus slot, bit stream, symbol constellation and EVM

**Example:** "CALC:MARK:FUNC:CPIC"

**Characteristics:** \*RST value:-  
SCPI: device-specific

**Mode:** 3G FDD BTS

This command is an <Event> and therefore has no \*RST value and no query. Only the numeric suffix 1 is permissible in MARKer.

### CALCulate<1|2>:MARKer<1>:FUNCTION:PCCPch

This command sets the marker to channel 1.

The numeric suffix in CALCulate that is required or permissible depends on the selected display mode for which the marker is to be valid and has to coincide with it:

CALCulate<1> for CDP absolute and relative

CALCulate2 for modulation accuracy, peak code domain error, power versus slot, bit stream, symbol constellation and EVM

**Example:** "CALC:MARK:FUNC:PCCP"

**Characteristics:** \*RST value:\_  
SCPI: device-specific

**Mode:** 3G FDD BTS

This command is an <Event> and therefore has no \*RST value and no query.

**CALCulate<1|2>:MARKer<1>:FUNCtion:DPCCh**

This command sets marker 1 to channel 1.

The numeric suffix that is required or permissible depends on the selected display mode for which the marker is to be valid and must be appropriate for this mode.

CALCulate<1> for CDP absolute/relative

CALCulate2 for modulation accuracy, peak code domain error, power vs slot, bit stream, symbol constellation and EVM

**Example:** "CALC:MARK:FUNC:DPCC"

**Characteristics:** \*RST value: \_  
SCPI: device-specific

**Mode:** 3G FDD UE

This command is an <event> and therefore has no \*RST value and no query.

**CALCulate<1|2>:MARKer<1 to 4>:FUNCtion:WCDPower[:BTS]:RESult? PTOTAL | FERRor | TFRame | TOFFset | MACCuracy | PCDerror | EVMRms | EVMPeak | CERRor | CSLot | SRATe | CHANnel | CDPabsolute | CDPRelative | IQOFFset | IQIMbalance**

This command queries the measured and calculated results of the WCDMA code domain power measurement (base station).

PTOTAL	Total power
FERRor	Frequency error in Hz
TFRame	Trigger to frame
TOFFset	Timing offset
MACCuracy	Modulation accuracy
PCDerror	Peak code domain error
EVMRms	Error vector magnitude RMS
EVMPeak	Error vector magnitude Peak
CERRor	Chip rate error
CSLot	Channel slot number
SRATe	Symbol rate
CHANnel	Channel number (Channel Code)
CDPabsolute	Channel power absolute
CDPRelative	Channel power relative
IQOFFset	IQ offset
IQIMbalance	IQ imbalance

**Example:** " :CALC:MARK:FUNC:WCDP:RES? PTOT " 'Queries the result of the total power measurement

**Characteristics:** \*RST value:-  
SCPI: device-specific

**Mode:** 3G FDD BTS

The numeric suffixes in CALCulate<1|2> and MARKer<1 to 4> are not significant.

**CALCulate<1|2>:MARKer<1 to 4>:FUNCTION:WCDPower:MS:RESult?** PTOTAL | FERRor | TFRame |  
 MACCuracy | PCDerror | EVMRms | EVMPeak | CERRor | SRATe  
 | CHANnel | CDPabsolute | CDPRelative | IQOffset | IQIMbalance |  
 CMAPping | PSYMBOL

This command queries the measured and calculated results of the WCDMA code domain power measurement (mobile station).

PTOTAL	Total power
FERRor	Frequency error in Hz
TFRame	Trigger to frame
MACCuracy	Modulation accuracy
PCDerror	Peak code domain error
EVMRms	Error vector magnitude RMS
EVMPeak	Error vector magnitude Peak
CERRor	Chip rate error
SRATe	Symbol rate
CHANnel	Channel number (Channel Code)
CDPabsolute	Channel power absolute
CDPRelative	Channel power relative
IQOffset	IQ offset
IQIMbalance	IQ imbalance
CMAPping	Channel mapping
PSYMBOL	No of pilot symbols

**Example:** " :CALC:MARK:FUNC:WCDP:MS:RES? PTOT" 'Queries the result of the total  
'power measurement

**Characteristics:** \*RST value:-  
 SCPI: device-specific

**Mode:** 3G FDD UE

The numeric suffixes in CALCulate<1|2> and MARKer<1 to 4> are not significant.

## CALCulate:MARKer subsystem for options cdma2000 BTS (FS-K82) and 1xEV-DO BTS (FS-K84)

The measurement windows are selected by CALCulate1 (screen A) or CALCulate2 (screen B).

COMMAND	PARAMETER	UNIT	COMMENT
CALCulate<1 2> :MARKer<1...4> :FUNction :PICH :TDPich :CDPower [:BTS] :RESult?	SLOT   PTOTal   PPICH   RHO   MACCuracy   PCDError   ACTive   FERRor   FERPpm   CERRor   TFRame   IQOFset   IQIMbalance   SRATe   CHANnel   SFACtor   TOFFset   POFFset   CDPabsolute   CDPRelative   EVMRms   EVMPeak		No query, FS-K82 No query  Query only

### Command for option FS-K82 cdma2000 BTS: :CALCulate<1|2>:MARKer<1>:FUNction:PICH

This command sets marker1 to channel 0.64.

**Example:**

```
"INST:SEL BC2K"
"INIT:CONT OFF"
"INIT;*WAI"
'synchronization
"CALC:MARK:FUNC:PICH"
"CALC:MARK:Y?"
```

**Features:**

```
*RST value: -
SCPI: device-specific
```

'Activate cdma2000 BTS, implicit are  
'CDP relative on screen A and  
'result summary active on screen B  
'Select single sweep  
'Start measurement with  
  
'Activate marker and position at pilot '0.64  
'Query value of the CDP rel. of the PICH

This command is an "event" and therefore has neither a \*RST value nor a query function.

### :CALCulate<1|2>:MARKer<1>:FUNction:TDPICH

This command sets marker1 to channel 16.128. The base spreading factor should be set to 128 beforehand and antenna 2 should be measured.

**Example:**

```
"INST:SEL BC2K"
"INIT:CONT OFF"
"CDP:ANT 2"
"CDP:SFAC 128"
"INIT;*WAI"
"CALC:MARK:FUNC:PICH"
"CALC:MARK:Y?"
```

**Features:**

```
*RST value: -
SCPI: device-specific
```

'Activate cdma2000 BTS, implicit are  
'CDP relative on screen A and  
'result summary active on screen B  
'Select single sweep  
'Select antenna 2  
'Select base spreading factor 128  
'Start measurement with synchronization  
'Activate marker and position  
'at TDPICH 16.128  
'Query value of the CDP rel.  
'of the TDPICH

This command is an "event" and therefore has neither a \*RST value nor a query function.

**:CALCulate<1|2>:MARKer<1>:FUNCTION:CDPower[:BTS]:RESult?**

SLOT | PTOTAL | PPICH | RHO | MACCuracy | PCDerror | ACTive | FERRor | FERppm | CERRor |  
 TFRame | IQOFFset | IQIMbalance | SRATe | CHANnel | SFACtor | TOFFset | POFFset |  
 CDPabsolute | CDPRelative | EVMRms | EVMPeak

This command queries the measured and calculated values of the code domain power analysis. The channel results are provided for the channel to which the code selected by means of the CDPower:CODE command belongs.

**Parameters:**

Global results of the selected PCG:		Global results of all PCGs:	
SLOT	PCG number	FERRor	Frequency error in Hz
PTOTAL	Total power in dBm	FERppm	Frequency error in ppm
PPICH	Pilot power in dBm	CERRor	Chip rate error in ppm
RHO	RHO	TFRame	Trigger to frame
MACCuracy	Composite EVM in %	ACTive	Number of active channels
PCDerror	Peak code domain error in dB		
IQOFFset	IQ offset in %		
IQIMbalance	IQ imbalance in %		

**Channel results:**

SRATe	Symbol rate in ksp/s	TOFFset	Timing offset in s
CHANnel	Channel number	POFFset	Phase offset in rad
SFACtor	Spreading factor of channel		
CDPRelative	Channel power, relative, in dB (relative to total or PICH power, refer to command CDP: PEF)	CDPabsolute	Channel power, abs., in dBm
EVMRms	Error vector magnitude rms in %	EVMPeak	Error Vector Mag. Peak in %

*Hint:*

The value trigger to frame (TFRame) delivers a '9' if the trigger is set to FREE RUN.  
 The values timing/phase offset (TOFFset/POFFset) deliver a '9' if the timing and phase offset measurement is switched off (refer to CDP:TPM) or the number of active channel exceeds 50.

**Example:**

```

"INST:SEL BC2K"           'Activate cdma2000 BTS, implicit are
                           'CDP relative on screen A and
                           'result summary active on screen B
"INIT:CONT OFF"          'Select single sweep
"INIT;*WAI"              'Start measurement with
'synchronization
"CALC:MARK:FUNC:CDP:RES? PTOT" 'Read out total power
"CDP:SLOT 3"              'Select power control group 3
"CDP:CODE 11"            'Select code number 11
"CALC:MARK:FUNC:CDP:RES? EVMR" 'Read out EVM rms of the code with
                           'number 11 in PCG 3
    
```

**Features:** \*RST value: -  
 SCPI: device-specific

**Mode:** cdma2000 BTS



**Command for option FS-K84 1xEV-DO BTS:****:CALCulate<1|2>:MARKer<1>:FUNCTION:CDPower[:BTS]:RESult?**

RHO | MACCuracy | PCDError | FERRor | FERPpm | CERRor | TFRame | IQOFFset |  
 IQIMbalance | SRATe | CHANnel | SFACtor | TOFFset | POFFset | CDPabsolute |  
 CDPRelative | EVMRms | EVMPeak | RHOPilot | RHO1 | RHO2 | PPILot | PMAC |  
 PDATa | PPREamble | MACTive | DACTive | PLENGth | MTYPe | DMTYPe

This command queries the measured and calculated values of the Code Domain Power analysis. The channel type can be set by means of the `CDPower:CTYPe` command, the slot number by means of the `CDPower:SLOT` command and the code number by means of the `CDPower:CODE` command.

**Parameters:**

Global results for all slots:

FERRor	Frequency error in Hz
FERPpm	Frequency error in ppm
CERRor	Chip rate error in ppm
TFRame	Trigger to Frame
RHOPilot	RHO over all slots for the pilot area
RHO1	RHO <sub>overall-1</sub> over all slots over all chips with start of averaging at the half-slot limit
RHO2	RHO <sub>overall-2</sub> over all slots over all chips with start of averaging at the quarter-slot limit

Results for the selected slot:

PPILot	Absolute power in the PILOT channel type
PMAC	Absolute power in the MAC channel type
PDATa	Absolute power in the DATA channel type
PPReamble	Absolute power in the PREAMBLE channel type
MACCuracy	Composite EVM in %
DMTYPe	Modulation type of the DATA channel type: 2 = QPSK 3 = 8-PSK 4 = 16-QAM
MACTive	Number of active MAC channels
DACTive	Number of active DATA channels
PLENGth	Length of preamble in chips
RHO	RHO value for the selected channel type/slot

Results for the selected channel type in the selected slot:

PCDError	Peak code domain error in dB
IQIMbalance	IQ imbalance in %
IQOFFset	IQ offset in %

Channel results:

SRATe	Symbol rate in ksps
CHANnel	Channel number
SFACtor	Spreading factor of the channel
TOFFset	Timing offset in s
POFFset	Phase offset in rad
CDPRelative	Channel power, relative, in dB
CDPabsolute	Channel power, absolute, in dBm
EVMRms	Error vector magnitude RMS in %
EVMPeak	Error vector mag. peak in %
MTYPe	Modulation type:

0	= BPSK-I	
1	= BPSK-Q	
2	= QPSK	
3	= 8-PSK	
4	= 16-QAM	
5	= 2BPSK	(if complex analysis selected for PILOT, PREAMBLE or MAC)

Note:

The Trigger to Frame value (TFRame) supplies a '9' if the trigger is at *FREE RUN*.

The Timing/Phase Offset values (TOFFset/POFFset) supply a '9' if timing and phase measurement is disabled (refer to CDP:TPM) or the number of active channels is higher than 50.

<b>Example:</b>	"INST:SEL BDO"	'Activate 1xEV-DO BTS, implicit are 'CDP relative on screen A and 'General results active on screen B
	"INIT:CONT OFF"	'Select single sweep
	"INIT;*WAI"	'Start measurement with sync
	"CALC:MARK:FUNC:CDP:RES? PPIL"	'Read out pilot power
	"CDP:SLOT 2"	'Selects slot 2
	"CDP:CODE 11"	'Select code number 11
	"CALC:MARK:FUNC:CDP:RES? EVMR"	'Read out EVM RMS of the code with 'number 11 in slot 2

<b>Features:</b>	*RST value: -
	SCPI: device-specific

**Mode:** 1xEV-DO BTS

## CALCulate:MATH Subsystem

The CALCulate:MATH subsystem allows to process data from the SENSE-subsystem in numeric expressions. The measurement windows are selected by CALCulate1 (screen A) or CALCulate2 (screen B).

COMMAND	PARAMETERS	UNIT	COMMENT
CALCulate<1 2> :MATH [:EXPRession] [:DEFine] :POSition :STATe :MODE	<expr> <numeric_value> <Boolean> LINear   LOGarithmic	-- PCT -- --	

### CALCulate<1|2>:MATH[:EXPRession][:DEFine] <expr>

This command defines the mathematical expression for relating traces to trace1.

The zero point of the result display can be defined with CALC:MATH:POS. Command CALCulate:MATH:STATe switches the mathematical relation of traces on or off.

**Parameter:** <expr> ::= 'OP1 - OP2'  
OP1 ::= TRACE1  
OP2 ::= TRACE2 | TRACE3

**Example:** "CALC1:MATH (TRACE1 - TRACE2)" 'Selects the subtraction of trace 1  
'from trace 2 in screen A.  
"CALC2:MATH (TRACE1 - TRACE3)" 'Selects the subtraction of trace 1  
'from trace 3 in screen B.

**Characteristics:** \*RST value: -  
SCPI: conforming

**Mode:** A, GSM/EDGE

### CALCulate<1|2>:MATH:POSition -100PCT to 200PCT

This command defines the position of the result of the trace mathematics in the selected measurement window. The indication is in % of the screen height, with 100% corresponding to the upper diagram border.

**Example:** "CALC:MATH:POS 50PCT" 'Sets the position in screen A to the  
'horizontal diagram center.

**Characteristics:** \*RST value: 50 %  
SCPI: device-specific

**Mode:** A, GSM/EDGE

**CALCulate<1|2>:MATH:STATe** ON | OFF

This command switches the mathematical relation of traces on or off.

**Example:** "CALC:MATH:STAT ON" 'Switches on the trace mathematics in 'screen A.

**Characteristics:** \*RST value: OFF  
SCPI: conforming

**Mode:** A, GSM/EDGE

**CALCulate<1|2>:MATH:MODE** LINear | LOGarithmic

This command selects linear or logarithmic (= video) calculation of the mathematical functions related to the traces. The calculation of the average is one of the affected functions. The setting is valid for all measurement windows, i.e. the numeric suffix <1 | 2> of CALCulate is irrelevant.

**Example:** "CALC:MATH:MODE LIN" 'Switches on the linear calculation.

**Characteristics:** \*RST value: LOG  
SCPI: device-specific

**Mode:** A, GSM/EDGE

## CALCulate:STATistics Subsystem

The CALCulate:STATistics subsystem controls the statistical measurement functions in the instrument. The measurement window cannot be selected with these functions. The numeric suffix in CALCulate is therefore ignored.

**Note:** The commands of this subsystem are not available during GSM measurements.

COMMAND	PARAMETERS	UNIT	COMMENT
CALCulate			
:STATistics			
:APD			
[:STATe]	<Boolean>	--	
:CCDF			
[:STATe]	<Boolean>	--	
:NSAMples	<numeric_value>		
:SCALe			
:AUTO	ONCE		
:X			
:RLEVel	<numeric_value>	DBM	
:RANGe	<numeric_value>	DB	
:Y			
:UPPer	<numeric_value>		
:LOWer	<numeric_value>		
:PRESet			
:RESult<1 to 3>?	MEAN   PEAK   CFACtor   ALL		query only

### CALCulate:STATistics:APD[:STATe] ON | OFF

This command switches on or off the measurement of amplitude distribution (APD). On activating this function, the CCDF measurement is switched off.

**Example:** "CALC:STAT:APD ON" 'Switches on the APD measurement.

**Characteristics:** \*RST value: OFF  
SCPI: device-specific

**Mode:** A

### CALCulate:STATistics:CCDF[:STATe] ON | OFF

This command switches on or off the measurement of the complementary cumulative distribution function (CCDF). On activating this function, the APD measurement is switched off.

**Example:** "CALC:STAT:CCDF ON" 'Switches on the CCDF measurement.

**Characteristics:** \*RST value: OFF  
SCPI: device-specific

**Mode:** A

**CALCulate:STATistics:NSAMples** 100 to 1E9

This command sets the number of measurement points to be acquired for the statistical measurement functions.

**Example:** "CALC:STAT:NSAM 500" 'Sets the number of measurement points to be acquired to 500.

**Characteristics:** \*RST value: 100000  
SCPI: device-specific

**Mode:** A

**CALCulate:STATistics:SCALe:AUTO ONCE**

This command optimizes the level setting of the instrument depending on the measured peak power, in order to obtain maximum instrument sensitivity.

To obtain maximum resolution, the level range is set as a function of the measured spacing between peak power and the minimum power for the APD measurement and of the spacing between peak power and mean power for the CCDF measurement. In addition, the probability scale for the number of test points is adapted.

**Note:**

*Subsequent commands have to be synchronized with \*WAI, \*OPC or \*OPC? to the end of the autorange process which would otherwise be aborted.*

**Example:** "CALC:STAT:SCAL:AUTO ONCE;\*WAI" 'Adapts the level setting for statistical measurements.

**Characteristics:** \*RST value: --  
SCPI: device-specific

**Mode:** A

This command is an event and therefore has no \*RST value and no query.

**CALCulate:STATistics:SCALe:X:RLEVel** -130dBm to 30dBm

This command defines the reference level for the X axis of the measurement diagram. The setting is identical to the reference level setting using the command DISPLAY:WINDOW:TRACE:Y:RLEVel.

With the reference level offset <> 0 the indicated value range of the reference level is modified by the offset.

The unit depends on the setting performed with CALC:UNIT.

**Example:** "CALC:STAT:SCAL:X:RLEV -60dBm"

**Characteristics:** \*RST value: -20dBm  
SCPI: device-specific

**Mode:** A

**CALCulate:STATistics:SCALE:X:RANGe** 10dB to 200dB

This command defines the level range for the X axis of the measurement diagram. The setting is identical to the level range setting defined with the command `DISPlay:WINDow:TRACe:Y:SCALE`.

**Example:** "CALC:STAT:SCAL:X:RANG 20dB"

**Characteristics:** \*RST value: 100dB  
SCPI: device-specific

**Mode:** A

**CALCulate:STATistics:SCALE:Y:UPPer** 1E-8 to 1.0

This command defines the upper limit for the Y axis of the diagram in statistical measurements. Since probabilities are specified on the Y axis, the entered numerical values are dimensionless.

**Example:** "CALC:STAT:Y:UPP 0.01"

**Characteristics:** \*RST value: 1.0  
SCPI: device-specific

**Mode:** A

**CALCulate:STATistics:SCALE:Y:LOWer** 1E-9 to 0.1

This command defines the lower limit for the Y axis of the diagram in statistical measurements. Since probabilities are specified on the Y axis, the entered numerical values are dimensionless.

**Example:** "CALC:STAT:SCAL:Y:LOW 0.001"

**Characteristics:** \*RST value: 1E-6  
SCPI: device-specific

**Mode:** A

**CALCulate:STATistics:PRESet**

This command resets the scaling of the X and Y axes in a statistical measurement. The following values are set:

X axis ref level: -20 dBm  
X axis range APD: 100 dB  
X axis range CCDF: 20 dB

Y axis upper limit: 1.0  
Y axis lower limit: 1E-6

**Example:** "CALC:STAT:PRES" ' Resets the scaling for statistical functions

**Characteristics:** \*RST value: --  
SCPI: device-specific

**Mode:** A

This command is an event and therefore has no \*RST value and no query.

**CALCulate:STATistics:RESult<1 to 3>? MEAN | PEAK | CFACtor | ALL**

This command reads out the results of statistical measurements of a recorded trace. The trace is selected with the numeric suffix <1 to 3> attached to RESult.

**Parameter:** The required result is selected via the following parameters:

MEAN Average (=RMS) power in dBm measured during the measurement time.

PEAK Peak power in dBm measured during the measurement time.

CFACtor Determined CREST factor (= ratio of peak power to average power) in dB.

ALL Results of all three measurements mentioned before, separated by commas:  
<mean power>,<peak power>,<crest factor>

**Example:** "CALC:STAT:RES2? ALL" 'Reads out the three measurement results of trace 2. Example of answer string:  
'5.56,19.25,13.69  
'i.e. mean power: 5.56 dBm, peak power 19.25 dBm, CREST factor 13.69 dB

**Characteristics:** \*RST value: --  
SCPI: device-specific

**Mode:** A



## CALCulate:THReshold Subsystem

The CALCulate:THReshold subsystem controls the threshold value for the maximum/minimum search of markers. The measurement windows are selected by CALCulate 1 (screen A) or 2 (screen B).

COMMAND	PARAMETERS	UNIT	COMMENT
CALCulate<1 2> :DLINe<1 2>	<numeric_value>	DBM   DB   DEG   RAD   S   HZ   PCT	
:STATe	<Boolean>		
:THReshold	<numeric_value>	DBM   DB	
:STATe	<Boolean>		
:FLINe<1 2>	<numeric_value>	HZ	
:STATe	<Boolean>		
:TLINe<1 2>	<numeric_value>	S	
:STATe	<Boolean>		

### CALCulate<1|2>:DLINe<1|2> MINimum .. MAXimum (depending on current unit)

This command defines the position of Display Line 1 or 2. These lines enable the user to mark any levels in the diagram. The unit depends on the setting made with CALC:UNIT.

**Example:** "CALC:DLIN -20dBm"

**Characteristics:** \*RST value: - (STATe to OFF)  
SCPI: device-specific

**Mode:** A

### CALCulate<1|2>:DLINe<1|2>:STATe ON | OFF

This command switches Display Line 1 or 2 (level lines) on or off.

**Example:** "CALC:DLIN2:STAT OFF"

**Characteristics:** \*RST value: OFF  
SCPI: device-specific

**Mode:** A

### CALCulate<1|2>:THReshold MINimum to MAXimum (depending on current unit)

This command defines the threshold value for the maximum/minimum search of markers with marker search functions MAX PEAK, NEXT PEAK, etc in the selected measurement window. The associated display line is automatically switched on.

**Example:** "CALC:THR -82DBM" 'Sets the threshold value for screen A to -82 dBm.

**Characteristics:** \*RST value: - (STATe to OFF)  
SCPI: device-specific

**Mode:** A, GSM/EDGE, FM

**CALCulate<1|2>:THReshold:STATe** ON | OFF

This command switches on or off the threshold line in the selected measurement window. The unit depends on the setting performed with CALC:UNIT.

**Example:** "CALC2:THR:STAT ON" 'Switches on the threshold line in screen B.

**Characteristics:** \*RST value: OFF  
SCPI: device-specific

**Mode:** A, GSM/EDGE, FM

**CALCulate<1|2>:FLINe<1|2>** 0... $f_{max}$ 

This command defines the position of the frequency lines.

The frequency lines mark the frequencies specified in the measurement window. Frequency lines are only available with SPAN > 0.

**Example:** "CALC:FLIN2 120MHz"

**Characteristics:** \*RST value: - (STATe to OFF)  
SCPI: device-specific

**Mode:** A-F

**CALCulate<1|2>:FLINe<1|2>:STATe** ON | OFF

This command switches the frequency line on or off.

**Example:** "CALC:FLIN2:STAT ON"

**Characteristics:** \*RST value: OFF  
SCPI: device-specific

**Mode:** A-F

**CALCulate<1|2>:TLINe<1|2>** 0 ... 1000s

This command defines the position of the time lines.

The time lines mark the times specified in the measurement window. Time lines are only available with SPAN = 0.

**Example:** "CALC:TLIN 10ms"

**Characteristics:** \*RST value: - (STATe OFF)  
SCPI: device-specific

**Mode:** A-Z

**CALCulate<1|2>:TLINe<1|2>:STATe** ON | OFF

This command switches the time line on or off.

**Example:** "CALC:TLIN2:STAT ON"

**Characteristics:** \*RST value: OFF  
SCPI: device-specific

**Mode:** A-Z

## CALCulate:UNIT Subsystem

The CALCulate:Unit subsystem defines the units for power measurement settings.

COMMAND	PARAMETERS	UNIT	COMMENT
CALCulate<1 2> :UNIT :POWer	DBM   V   A   W   DB   PCT   UNITLESS   DBPW   WATT   DBUV   DBMV   VOLT   DBUA   AMPere		

**CALCulate<1|2>:UNIT:POWer** DBM | V | A | W | DB | PCT | UNITLESS |DBPW | WATT | DBUV | DBMV | VOLT | DBUA | AMPere

This command selects the unit for power in the selected measurement window.

**Note:** This command is not available during active GSM measurements. During GSM measurements the unit is either dBm (power measurements) or deg (phase error measurements).

**Example:** "CALC:UNIT:POW DBM" 'Sets the power unit for screen A to dBm.

**Characteristics:** \*RST value: dBm  
SCPI: device-specific

**Mode:** A

## CALibration Subsystem

The commands of the CALibration subsystem determine the data for system error correction in the instrument.

COMMAND	PARAMETERS	UNIT	COMMENT
CALibration			
[:ALL]?	--	--	query only
:ABORt	--	--	no query
:RESult?	--	--	query only
:STATe	<Boolean>	--	

### CALibration[:ALL]?

This command initiates the acquisition of system error correction data. A "0" is returned if the acquisition was successful.

**Note:** *During the acquisition of correction data the instrument does not accept any remote control commands, except*  
*\*RST*  
*CALibration:ABORt*

In order to recognize when the acquisition of correction data is completed, the MAV bit in the status byte can be used. If the associated bit is set in the Service Request Enable Register, the instrument generates a service request after the acquisition of correction data has been completed.

**Example:**

```
*CLS "          ' Resets the status management.
*SRE 16 "      ' Enables MAV bit in the Service Request Enable Register.
*CAL? "        ' Starts the correction data recording and then a service
               ' request is generated.
```

**Characteristics:** \*RST value: -  
 SCPI: conforming

**Mode:** all

### CALibration:ABORt

This command aborts the acquisition of correction data and restores the last complete correction data set.

**Example:** "CAL:ABOR"

**Characteristics:** \*RST value: -  
 SCPI: device-specific

**Mode:** all

This command is an event and therefore has no \*RST value and no query.

**CALibration:RESult?**

This command outputs the results of the correction data acquisition. The lines of the result table (see section "Recording the correction data of FSP – CAL key") are output as string data separated by commas:

```
"Total Calibration Status: PASSED", "Date (dd/mm/yyyy): 12/07/1999",  
"Time: 16:24:54", "Runtime:00.06"
```

**Example:** "CAL:RES?"

**Characteristics:** \*RST value: --  
SCPI: device-specific

**Mode:** all

**CALibration:STATe ON | OFF**

This command determines whether the current calibration data are taken into account by the instrument (ON) or not (OFF).

**Example:** "CAL:STAT OFF" 'Sets up the instrument to ignore the calibration data.

**Characteristics:** \*RST value: -  
SCPI: conforming

**Mode:** all

## CONFigure – Subsystem

The CONFigure subsystem contains commands for configuring complex measurement tasks, like those provided by the option GSM/EDGE Analyzer (FS-K5). The CONFigure subsystem is closely linked to the functions of the FETCH and READ subsystems, where the measurement cycles are started and/or the results of the measurements are queried.

The CONFigure subsystem contains commands for configuring complex measurement tasks, like those provided by the options WCDMA 3G FDD BTS and UE (FS-K72/K73).

### CONFigure:BT0oth – Subsystem

The following commands are used for configuration of the BLUETOOTH analyzer operating mode (option R&S FS-K8).

COMMAND	PARAMETERS	UNIT	COMMENT
CONFigure			
:BT0oth			Option FS-K8
:CHANnel	<numeric_value>	--	
:GEOGraphy	EURope   USA   FRANce		
:PCLass	<numeric_value>	--	
:POWer	<numeric_value>	--	
:AVERage			
:START	<numeric_value>	PCT	
:STOP	<numeric_value>	PCT	
:PRATe	<numeric_value>	--	
:PTYPE	DH1   DH3   DH5   AUTO		
:ACLR			
:ACPairs	<numeric_value>		
:MEASurement	OPOWER   ACLR   MCHar   ICFTolerance   CFDRift		
:BANDwidth			
[:RESolution]	<numeric_value>	HZ	
:AUTO	<Boolean>		
:VIDeo	<numeric_value>	HZ	
:AUTO	<Boolean>		
:BWIDth			
[:RESolution]	<numeric_value>	HZ	
:AUTO	<Boolean>		
:VIDeo	<numeric_value>	HZ	
:AUTO	<Boolean>		
:DETEctor<1...3>			
[:FUNCTION]	APEak   NEGative   POSitive   SAMPLE   RMS   AVERage		
:SWEep			
:COUNT	<numeric_value>	--	
:TIME	<numeric_value>	S	
:AUTO	<Boolean>		
:TRACe<1...3>			
:MODE	WRITE VIEW AVERage MAXHold MINHold BLANK		
:SElect	--		

**CONFigure:BT0oth:CHANnel** 0...78

This command selects the frequency channel for the measurements according to the Bluetooth standard.

**Note:** *The value range depends on the selected geographical region ([SENSe:]BT0oth:GEOGraphy):*  
 EURope, USA: 0...78  
 FRANce: 0...22

**Example:** "CONF: BTO: CHAN 20 " 'select channel 20

**Characteristics:** \*RST value: 0  
 SCPI: device specific

**Mode:** BT

**CONFigure:BT0oth:GEOGraphy** EURope | USA | FRANce

This command selects the geographical region for the measurements:

EURope: Europe outside France  
 USA: USA  
 FRANce: France

The region determines the number of available frequency channels (command: [SENSe:]BT0oth:CHANnel). Additionally the standard for the measurement of spurious emissions will be selected: ETS 300 328 (Europe incl. France) or FCC Part 15.247,c (USA).

**Example:** "CONF: BTO: GEOG USA " 'selects region "USA"

**Characteristics:** \*RST value: EURope  
 SCPI: device specific

**Mode:** BT

**CONFigure:BT0oth:PCLass** 1...3

This command selects the power class for the Output Power measurement. The power class defines the limits for the Output Poer measurement.

**Example:** "CONF: BTO: PCL 3 " 'selects power class 3

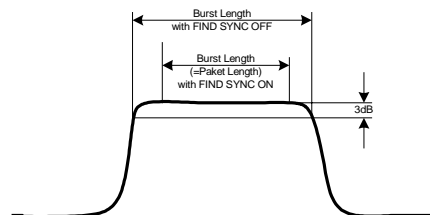
**Characteristics:** \*RST value: 1  
 SCPI: device specific

**Mode:** BT

**CONFigure:BT0oth:POWer:AVERage:STARt** 0...100PCT

This command defines the start position for the calculation of the average power of a burst.

**Note:** *Depending on the setting FIND SYNC ON or OFF (command SENS:DDEM:SEAR: SYNC:STAT ON/ OFF) the burst is either defined by the p0 bit and the packet length or the 3 dB points according to the RF Test Specification. As a result there are different areas within the burst for calculating the average power:*



**Example:** "CONF:BTO:POW:AVER:STAR 10PCT" 'sets the starting point for the  
'calculation to 10% of the  
'burst length

**Characteristics:** \*RST value: 20%  
SCPI: device specific

**Mode:** BT

**CONFigure:BT0oth:POWer:AVERage:STOP 0...100PCT**

This command defines the end position for the calculation of the average power of a burst.

**Note:** *Depending on the setting FIND SYNC ON or OFF (command SENS:DDEM:SEAR: SYNC:STAT ON/ OFF) the burst is either defined by the p0 bit and the packet length or the 3 dB points according to the RF Test Specification. As a result there are different areas within the burst for calculating the average power (see command SENS:BTO:POW:AVER:STARt).*

**Example:** "CONF:BTO:POW:AVER:STAR 90PCT" 'sets the end point for the  
'calculation to 90% of the  
'burst length

**Characteristics:** \*RST value: 80%  
SCPI: device specific

**Mode:** BT

**CONFigure:BT0oth:PRATe 2 | 4 | 8 | 16 | 32**

This command selects the number of measurement samples (points) per symbol for the measurement.

**Note:** *The RF Test Specification specifies an oversampling factor of at least 4.*

**Example:** "CONF:BTO:PRAT 16" 'selects 16 points/symbol

**Characteristics:** \*RST value: 4  
SCPI: device specific

**Mode:** BT

**CONFigure:BT0oth:PTYPe DH1 | DH3 | DH5 | AUTO**

This command selects the packet type to be measured:

- DH1: 1 slot packet
- DH3: 3 slot packet
- DH5: 5 slot packet
- AUTO: automatic detection of the packet type

**Example:** "CONF:BTO:PTYP DH5" 'selects type "5 slot packet"

**Characteristics:** \*RST value: DH1  
SCPI: device specific

**Mode:** BT



**CONFigure:BT0oth:ACLR:ACPairs** <numeric value>

This command selects the number of adjacent channel pairs during the measurement of the adjacent channel power. The number of adjacent channels will be limited as soon as the border of the Bluetooth frequency band is reached.

**Notes:** *This command is only available with active Adjacent Channel Power Measurement (command: CONF:BT0:MEAS ACLR).*

**Example:** "CONF:BT0:ACLR:ACP 10" 'selects 10 adjacent channel pairs

**Characteristics:** \*RST value: 78  
SCPI: device specific

**Mode:** BT

**CONFigure:BT0oth:MEASurement** OPOWER | ACLR | MCHar | ICFTolerance | CFDRift

This command selects the current measurement according to the Bluetooth standard.

<b>Parameter:</b>	OPOWER	Measurement of Output power
	ACLR	Measurement of Adjacent channel power
	MCHar	Measurement of Modulation characteristics
	ICFTolerance	Measurement of 'Initial Carrier Frequency Tolerance'
	CFDRift	Measurement of Frequency drift

**Example:** "CONF:BT0:MEAS ACLR" 'selects the measurement of the adjacent channel power.

**Characteristics:** \*RST value: OPOWER  
SCPI: device specific

**Mode:** BT

**CONFigure:BT0oth:BANDwidth|BWIDth[:RESolution]** <numeric\_value>

This command sets the resolution bandwidth of the analyzer for the currently selected Bluetooth measurement (see command [SENSe:]BAND:RES).

For the measurements of Modulation Characteristics (CONF:BT0:MEAS MCH), Initial Carrier Frequency Tolerance (CONF:BT0:MEAS ICFT) and Carrier Frequency Drift (CONF:BT0:MEAS CFDR) the resolution bandwidth corresponds to the IF bandwidth of the signal.

Value range:	300kHz..10MHz	Output Power; Power Control, Modulation Characteristics, Initial Carrier Frequency Tolerance, Carrier Frequency Drift
	100kHz	TX Output Spectrum Adjacent Channel Power

A change to the resolution bandwidth will stop its link to the settings of the RF Test Specification.

**Note:** *The settings for the measurements of Modulation Characteristics (CONF:BT0:MEAS MCH), Initial Carrier Frequency Tolerance (CONF:BT0:MEAS ICFT) and Carrier Frequency Drift (CONF:BT0:MEAS CFDR) is common to all three measurements. For all other Bluetooth measurements the setting is only valid for the currently active measurement (see command CONF:BT0:MEAS). This command is not available with active adjacent channel power measurement (command: CONF:BT0:MEAS ACLR).*

**Example:**

"INST:SEL BTO"	'activates the Bluetooth option
"CONF:BT0:MEAS OBW"	'activates the TX Output Spectrum '20dB Bandwidth measurement
"CONF:BT0:BAND 1KHZ"	'sets the resolution bandwidth to 1kHz

**Characteristics:** \*RST value: - (AUTO is set to ON)  
SCPI: device specific

**Mode:** BT

**CONFigure:BT0oth:BANDwidth|BWIDth[:RESolution]:AUTO** ON | OFF

This command links the resolution bandwidth to the settings according to the RF Test Specification.

**Note:** *The settings for the measurements of Modulation Characteristics (CONF:BT0:MEAS MCH), Initial Carrier Frequency Tolerance (CONF:BT0:MEAS ICFT) and Carrier Frequency Drift (CONF:BT0:MEAS CFDR) is common to all three measurements. For all other Bluetooth measurements the setting is only valid for the currently active measurement (see command CONF:BT0:MEAS).*

**Example:**

"INST:SEL BTO"	'activates the Bluetooth option
"CONF:BT0:MEAS OBW"	'activates the measurement of the 'TX Output Spectrum 20dB Bandwidth
"CONF:BT0:BAND:AUTO ON"	'activates the RBW coupling

**Characteristics:** \*RST value: ON  
SCPI: device specific

**Mode:** BT

**CONFigure:BT0oth:BANDwidth|BWIDth:VIDeo** 1 Hz ... 10 MHz

This command sets the video bandwidth for the currently selected Bluetooth measurement. It is only available for the measurements of Power Density (*CONF:BT0:MEAS PDEN*), TX Output Spectrum Frequency Range (*CONF:BT0:MEAS FRAN*), TX Output Spectrum 20 dB Bandwidth (*CONF:BT0:MEAS OBW*) and TX Output Spectrum Adjacent Channel Power (*CONF:BT0:MEAS ACLR*). The available filters have a bandwidth range of 1 Hz to 10 MHz. On a change in video bandwidth its link according to the RF Test Specification is switched off.

**Note:** *This setting is valid only for the currently active measurement (see command CONF:BT0:MEAS) and it is independent of other Bluetooth measurements.*

**Example:**

"INST:SEL BTO"	'activates the Bluetooth option
"CONF:BT0:MEAS OBW"	'activates the TX Output Spectrum 20dB Bandwidth measurement
"CONF:BT0:BAND:VID 100HZ"	'sets the video bandwidth to 100 Hz

**Characteristics:** \*RST value: - (AUTO is set to ON)  
SCPI: device specific

**Mode:** BT

**CONFigure:BT0oth:BANDwidth|BWIDth:VIDeo:AUTO** ON | OFF

This command links the video bandwidth to the settings according to the RF Test Specification. It is only available for the measurements of Power Density (*CONF:BT0:MEAS PDEN*), TX Output Spectrum Frequency Range (*CONF:BT0:MEAS FRAN*), TX Output Spectrum 20 dB Bandwidth (*CONF:BT0:MEAS OBW*) and TX Output Spectrum Adjacent Channel Power (*CONF:BT0:MEAS ACLR*).

**Note:** *This setting is only valid for the currently active measurement (see command CONF:BT0:MEAS) and it is independent of the other Bluetooth measurements.*

**Example:**

"INST:SEL BTO"	'activates the Bluetooth option
"CONF:BT0:MEAS OBW"	'activates the TX Output Spectrum 20dB Bandwidth measurement
"CONF:BT0:BAND:VID:AUTO ON"	'switches the VBW coupling on

**Characteristics:** \*RST value: ON  
SCPI: device specific

**Mode:** BT

**CONFigure:BT0oth:DETEctor<1...3>** APEak | NEGative | POSitive | SAMPlE | RMS | AVERAge

This command selects the detector for the currently selected Bluetooth measurement. The numeric suffix assigns the detector to a trace (1 to 3).

**Note:** *The RMS detector is not available for the measurements Modulation Characteristics (CONF:BT0:MEAS MCH), Initial Carrier Frequency Tolerance (CONF:BT0:MEAS ICFT) and Carrier Frequency Drift (CONF:BT0:MEAS CFDR). The setting is valid for the currently selected measurement (see command CONF:BT0:MEAS) and independent of other Bluetooth measurements.*

**Example:**

"INST:SEL BTO"	'activates the Bluetooth option
"CONF:BT0:MEAS OBW"	'activates the TX Output Spectrum 20dB Bandwidth measurement
"CONF:BT0:DET2 RMS"	'sets the detector for trace 2 to RMS

**Characteristics:** \*RST value: PEAK Output Power; Power Density, Power Control, TX Output Spectrum Frequency Range, TX Output Spectrum 20 dB Bandwidth,  
AVER TX Output Spectrum Adjacent Channel Power,  
APEAK Modulation Characteristics,

Initial Carrier Frequency Tolerance,  
Carrier Frequency Drift  
SCPI: device specific  
Mode: BT

**CONFigure:BT0oth:SWEep:COUNT** 0...32767

This command defines the number of sweeps for the currently selected Bluetooth measurement. This number will be started as a "single sweep". With trace mode setting clear/write (CONF:BT0:TRAC:MODE WRIT) the measurement results will be calculated for each sweep and taken into account for the calculation of minimum, maximum and average values. For the remaining trace settings (AVER, MAXH, MINH) the measurement results will be calculated from the resulting trace. In average mode the value 0 defines the sliding average of the measurement data over 10 sweeps.

**Note:** *The setting is valid only for the currently active measurement (see command CONF:BT0:MEAS) and independent of the other Bluetooth measurements.*

**Example:**  
 "INST:SEL BT0" 'activates the Bluetooth option  
 "CONF:BT0:MEAS OBW" 'activates the measurement of TX Output Spectrum 20dB Bandwidth  
 "INIT:CONT OFF" 'selects single sweep operation  
 "CONF:BT0:SWE:COUN 20" 'sets the number of sweeps to 20  
 "INIT;\*OPC" 'start a sweep with synchronisation

**Characteristics:** \*RST value: 0 Output Power; Power Density, Power Control,  
 50 TX Output Spectrum Frequency Range,  
 10 TX Output Spectrum 20 dB Bandwidth,  
 TX Output Spectrum Adjacent Channel Power,  
 Modulation Characteristics,  
 Initial Carrier Frequency Tolerance,  
 Carrier Frequency Drift

Mode: BT

**CONFigure:BT0oth:SWEep:TIME** <numeric\_value>

This command defines the duration of a sweep sequence for the active Bluetooth measurement.

Value range: (1us to 130560us) / (points per symbol)  
 Output Power; Power Control,  
 Modulation Characteristics,  
 Initial Carrier Frequency Tolerance,  
 Carrier Frequency Drift  
 2,5ms...16000s TX Output Spectrum Frequency Range,  
 TX Output Spectrum 20 dB Bandwidth  
 1µs... 16000s Power Density  
 10µs... 16000s TX Output Spectrum Adjacent Channel Power

With direct programming using command SWEep:TIME will stop its link to the settings according to the RF Test Specification.

**Note:** *This setting is valid for the currently active measurement (see command CONF:BT0:MEAS) and is independent of other Bluetooth measurements.*

**Example:**  
 "INST:SEL BT0" 'activates the Bluetooth option  
 "CONF:BT0:MEAS OBW" 'activates the TX Output Spectrum 20dB Bandwidth measurement  
 "CONF:BT0:SWE:TIME 10MS" 'sets a sweep time of 10 ms

**Characteristics:** \*RST value: - (AUTO is set to ON)  
 SCPI: device specific

Mode: BT

**CONFigure:BT0oth:SWEep:TIME]:AUTO ON | OFF**

This command links the sweep time to the settings according to the RF Test Specification.

**Note:** *This setting is valid for the currently active measurement (see command CONF:BT0:MEAS) and is independent of other Bluetooth measurements.*

**Example:**

"INST:SEL BTO"	'activates the Bluetooth option
"CONF:BT0:MEAS OBW"	'activates the TX Output Spectrum '20dB Bandwidth measurement
"CONF:BT0:SWE:TIME:AUTO ON"	'switches the sweeptime coupling on

**Characteristics:** \*RST value: ON  
SCPI: device specific

**Mode:** BT

**CONFigure:BT0oth:TRACe<1...3>:MODE WRITe | VIEW | AVERAge | MAXHold | MINHold | BLANK**

This command defines the way of displaying and evaluating the measurement curves for the selected Bluetooth measurement. WRITe corresponds to manual operating mode Clr/Write.

The numeric suffix selects the trace related to this setting.

The number of measurement to be executed for AVERAge, MAXHold and MINHold is defined with command CONF:BT0:SWEep:COUNt. Please note that a synchronisation to the end of the indicated number of measurements is only possible during single sweep operation.

**Note:** *This setting is valid for the currently active measurement (see command CONF:BT0:MEAS) and is independent of other Bluetooth measurements.*

**Example:**

"INST:SEL BTO"	'activates the Bluetooth option
"CONF:BT0:MEAS OBW"	'activates the measurement of TX Output 'Spectrum 20dB Bandwidth
"INIT:CONT OFF"	'selects single sweep operation
"CONF:BT0:SWE:COUN 10"	'sets the sweep count to 10
"CONF:BT0:TRAC2:MODE AVER"	'switches averaging for trace 2 on
"INIT;*OPC"	'starts a measurement with synchronisation

**Characteristics:** \*RST value: WRITe  
SCPI: device specific

**Mode:** BT

**CONFigure:BT0oth:TRACe<1...3>:SElect**

This command selects the measurement curve for evaluation of the modulation characteristics.

**Example:**

"INST:SEL BTO"	'activates the Bluetooth option
"CONF:BT0:MEAS OBW"	'activates the measurement of TX Output 'Spectrum 20dB Bandwidth
"INIT:CONT OFF"	'selects single sweep operation
"CONF:BT0:TRAC2:SEL"	'selects trace 2 for measurement result 'queries

**Characteristics:** \*RST value: --  
SCPI: device specific

**Mode:** BT

## CONFigure: subsystem for GSM/EDGE Analyzer

The purpose of the following commands is configuring the GSM/EDGE mode (firmware application FS-K5) for mobiles and base stations corresponding to the standards P-GSM, E-GSM, R-GSM, DCS1800 or PCS1900.

COMMAND	PARAMETERS	UNIT	COMMENT
CONFigure			
:BSEarch	<Boolean>		
:BURSt	AB   NORM		
:CHANnel			
:SLOT			
:MULTi	ACT1SYNC1   ACT2SYNC1   ACT2SYNC2   ACT3SYNC1   ACT3SYNC2   ACT3SYNC3   ACT4SYNC1   ACT4SYNC2   ACT4SYNC3   ACT4SYNC4   ACT8SYNC1   ACT8SYNC2   ACT8SYNC3   ACT8SYNC4   ACT8SYNC5   ACT8SYNC6   ACT8SYNC7   ACT8SYNC8		
:TSC	<numeric_value>   USER   AB0   AB1   AB2	-- --	
:USER	<string>	--	
:PRATe	4   8		no query
:RESTore	--	--	
:MTYPe	GMSK   EDGE		

### CONFigure:BSEarch ON | OFF

This command sets the IQ burst search to ON or OFF.

**Parameter:** CONFigure:MS:BSE ON | OFF  
 ON Switches burst search  
 OFF Burst search off

**Example:** "CONF:MS:BSE ON"

**Characteristics:** \*RST value: ON  
 SCPI: device-specific

**Mode:** ---

This command is only available with option FS-K5 (GSM/EDGE Analyzer) installed.

### CONFigure:BURSt AB | NORM

The command sets the type of Bursts.

**Parameter:** CONFigure:MS:BURSt AB | NORM  
 AB Access Burst  
 NORM Normal Burst

**Example:** "CONF:MS:BURSt AB"

**Characteristics:** \*RST value: NORM  
 SCPI: device-specific

**Mode:** ---

This command is only available with option FS-K5 (GSM/EDGE Analyzer) installed.

```

CONFigure:CHANnel:SLOT:MULTI ACT1SYNC1 | ACT2SYNC1 | ACT2SYNC2 | ACT3SYNC1 |
ACT3SYNC2 | ACT3SYNC3 | ACT4SYNC1 | ACT4SYNC2 |
ACT4SYNC3 | ACT4SYNC4 | ACT8SYNC1 | ACT8SYNC2 |
ACT8SYNC3 | ACT8SYNC4 | ACT8SYNC5 | ACT8SYNC6 |
ACT8SYNC7 | ACT8SYNC8

```

This command defines the used slots of the mobile.

The multislot setting defines how many adjacent slots are active and which of the active slots should be used for synchronization.

The following combinations are possible:

ACT1SYNC1	1 active slot	synchronization to 1st active slot
ACT2SYNC1	2 active slots	synchronization to 1st active slot
ACT2SYNC2	2 active slots	synchronization to 2nd active slot
ACT3SYNC1	3 active slots	synchronization to 1st active slot
ACT3SYNC2	3 active slots	synchronization to 2nd active slot
ACT3SYNC3	3 active slots	synchronization to 3rd active slot
ACT4SYNC1	4 active slots	synchronization to 1st active Slot
ACT4SYNC2	4 active slots	synchronization to 2nd active slot
ACT4SYNC3	4 active slots	synchronization to 3rd active slot
ACT4SYNC4	4 active slots	synchronization to 4th active slot
ACT8SYNC1	8 active slots	synchronization to 1st active slot
ACT8SYNC2	8 active slots	synchronization to 2nd active slot
ACT8SYNC3	8 active slots	synchronization to 3rd active slot
ACT8SYNC4	8 active slots	synchronization to 4th active slot
ACT8SYNC5	8 active slots	synchronization to 5th active slot
ACT8SYNC6	8 active slots	synchronization to 6th active slot
ACT8SYNC7	8 active slots	synchronization to 7th active slot
ACT8SYNC8	8 active slots	synchronization to 8th active slot

For the phase-frequency error, modulation accuracy and power vs. time measurement the midamble (trainingssequence) for the slot to synchronize must be set correctly!

The reference measurement of power vs. time measurement and the questionable signal power of the main measurement is related to the slot to synchronize. In the main measurement of power vs. time the slot to synchronize defines the synchronization point of the multislot signal on the screen. All results of the phase-frequency error and modulation accuracy measurement are related to the slot to synchronize.

In carrier power and modulation spectrum measurement the slot to synchronize is used to adjust the triggerdelay in order that the slot to synchronize is measured.

With the slot to synchronize it is therefore possible to investigate a certain slot of multislot signals.

This command is only available with the GSM/EDGE Analyzer FS-K5 option.

**Parameter:** ACT1SYNC1 | ACT2SYNC1 | ACT2SYNC2 | ACT3SYNC1 | ACT3SYNC2 |  
ACT3SYNC3 | ACT4SYNC1 | ACT4SYNC2 | ACT4SYNC3 | ACT4SYNC4

**Example:** "INST MGSM" 'Switches the instrument to GSM/EDGE mode  
"CONF:CHAN:SLOT:MULTI ACT3SYNC2" 'Selects the multislot configuration with  
'3 adjacent active slots and  
'synchronization on the 2<sup>nd</sup> (middle)

**Characteristics:** \*RST value: ACT1SYNC1 (one slot active)  
SCPI: device-specific

**Mode:** GSM/EDGE

**CONFigure:CHANnel:TSC** <numeric\_value> | USER | AB0 | AB1 | AB2

This command selects the midamble used by the mobile or base station. With selection USER, the user defined midamble set with command `CONFigure:CHANnel:TSC:USER` is used.

With selection AB0, AB1 or AB2 the Access Burst Mode is activated using the access burst midamble pattern and slot structure from the GSM standard. When the Access Burst Mode is entered the current measurement (like PVT, PFE, MOD, etc.) is left and the modulation is set to GSM.

In Access Burst Mode the measurements PVT or PFE can be selected – other measurements are not available.

The IF and RF (on FSP) power trigger are used in Access Burst Mode to trigger the IQ measurements (PVT/PFE) if the detector board with the model number 03 or higher is part of the analyzer hardware. (Without that kind of detector board the Free Run trigger is used as known from the IQ measurements in Normal Mode.) The external trigger is available as usual.

The Access Burst Mode is left by selecting a normal TSC 0-7 or the USER. The active measurement mode from Access Burst Mode (PVT or PFE) is left and a new measurement mode configuration is necessary.

The command is only available in GSM/EDGE mode (FS-K5).

**Note:** *The selected midamble is only significant for GSM/EDGE measurements MAC, PFE and PVT.*

**Parameter:** <numeric\_value> ::= 0..7 (training sequence for normal burst)  
 USER (the TSC set with `CONF:CHAN:TSC:USER` is used)  
 AB0 | AB1 | AB2 (training sequence for access burst)

**Example:** "INST MGSM" ' Switches instrument to GSM/EDGE mode  
 "CONF:CHAN:TSC 3" ' Selects TSC 3

**Features:** \*RST value: 0  
 SCPI: device-specific

**Mode:** GSM/EDGE





**CONFigure:REStore**

This command restores the GSM limit lines. All previous changes to the GSM limit lines are lost, and the default Limit Lines from the delivery state are restored.

This command is only available with GSM/EDGE Analyzer FS-K5 option .

**Example:**           "INST MGSM"                                 'Switches the instrument to GSM/EDGE mode  
                      "CONF:REST"                             Set the GSM limit lines to default

**Characteristics:** \*RST value:    --  
                      SCPI:             device-specific

**Mode:**             A, GSM/EDGE

This command is an event and therefore has no query and no \*RST value.

**CONFigure:MTYPe** GMSK | EDGE

This command selects modulation type GMSK or EDGE.

A running GSM measurement is aborted when the modulation type is changed. It has to be explicitly selected again by using one of the CONFigure commands.

**Example:**           "INST MGSM"                                 'Switches the instrument to GSM/EDGE mode  
                      "CONF:MTYP EDGE"                         'Selects modulation type EDGE (8PSK)  
                      "CONF:BURS:MACC"                         'Selects the MAC measurement  
                      "SWE:COUN 20"                             'Sets the number of bursts  
                      "INIT:IMM;\*WAI"                            'Starts the measurement

**Characteristics:** \*RST value:    GMSK  
                      SCPI:             device-specific

**Mode:**             GSM/EDGE

## CONFigure:BURSt - Subsystem

This subsystem provides the commands for configuring the measurements in the GSM/EDGE mode (option FS-K5) which are performed on individual bursts:

- Carrier Power (CPW),
- Modulation Accuracy (MAC),
- Phase-Frequency Error (PFE),
- Power vs. Time (PVT).

COMMAND	PARAMETERS	UNIT	COMMENT
CONFigure			Option FS-K5
:BURSt			
:PFErroR			
[:IMMediate]			no query
:MACCuracy			
[:IMMediate]			no query
:POWer			
[:IMMediate]			no query
:PTEmplate			
[:IMMediate]			no query
:SElect	FULL   TOP   RISing   FALLing		

### CONFigure:BURSt:PFErroR[:IMMediate]

This command selects measurement of the phase and frequency error of the mobile (PFE).

When the measurement is started the analyzer is automatically set to single sweep.

This command is only available in GSM/EDGE mode (FS-K5) and when modulation type GMSK is selected (CONFigure:MTYPE GMSK).

**Example:**

"INST MGSM"	'Switches the instrument to GSM/EDGE mode
"CONF:MTYP GMSK"	'Selects modulation type GMSK
"CONF:BURS:PFEr"	'Selects the PFE measurement
"SWE:COUN 20"	'Sets the number of bursts
"INIT:IMM;*WAI"	'Executes the measurement

**Characteristics:** \*RST value: --  
SCPI: device-specific

**Mode:** GSM/EDGE

This command is an event and therefore has no query and no \*RST value .

**CONFigure:BURSt:MACCuracy[:IMMediate]**

This command selects measurement of the modulation accuracy of the mobile (MAC).  
 When the measurement is started the analyzer is automatically set to single sweep.  
 This command is only available in GSM/EDGE mode (option FS-K5) and when modulation type EDGE (CONFigure:MTYPe EDGE) is selected.

**Example:**

"INST M GSM"	'Switches the instrument to GSM/EDGE mode
"CONF:MTYP EDGE"	'Selects modulation type EDGE (8PSK)
"CONF:BURS:MACC"	'Selects the MAC measurement
"SWE:COUN 20"	'Sets the number of bursts
"INIT:IMM;*WAI"	'Starts the measurement

**Characteristics:** \*RST value: --  
 SCPI: device-specific

**Mode:** GSM/EDGE

This command is an event and therefore has no query and no \*RST value .

**CONFigure:BURSt:POWER[:IMMediate]**

This command selects measurement of the carrier power of the mobile (CPW).  
 When the measurement is started the analyzer is automatically set to single sweep.  
 This command is only available in GSM/EDGE mode (FS-K5).

**Example:**

"INST M GSM"	'Switches the instrument to GSM/EDGE mode
"CONF:BURS:POW"	'Selects the CPW measurement
"SWE:COUN 20"	'Sets the number of bursts
"INIT:IMM;*WAI"	'Executes the measurement

**Characteristics:** \*RST value: --  
 SCPI: device-specific

**Mode:** GSM/EDGE

This command is an event and therefore has no query and no \*RST value .

**CONFigure:BURSt:PTEMplate[:IMMediate]**

This command selects measurement of power of the mobile vs. time (PVT).  
 When the measurement is started the analyzer is automatically set to single sweep.  
 This command is only available in GSM/EDGE mode (FS-K5).

**Example:**

"INST M GSM"	'Switches the instrument to GSM/EDGE mode
"CONF:BURS:PTEM"	'Selects the PVT measurement
"SWE:COUN 20"	'Sets the number of bursts
"INIT:IMM;*WAI"	'Executes the measurement

**Characteristics:** \*RST value: --  
 SCPI: device-specific

**Mode:** GSM/EDGE

This command is an event and therefore has no query and no \*RST value .

**CONFigure:BURSt:PTEmplate:SElect** FULL | TOP | RISing | FALLing

This command defines the burst section to be measured.

FULL : full burst  
 RISing : rising edge  
 FALLing : falling edge  
 TOP : top high resolution, top of burst with smaller display range and therefore higher resolution on y axis (power axis)

This command is only available in GSM/EDGE mode (FS-K5).

**Example:**

"INST M GSM"	'Switches the instrument to GSM/EDGE mode
"CONF: BURS: PTEM"	'Selects the PVT measurement
"CONF: BURS: PTEM: SEL TOP"	'Selects the top high resolution mode
"SWE: COUN 20"	'Sets the number of bursts
"INIT: IMM; *WAI"	'Executes the measurement

**Characteristics:** \*RST value: FULL  
 SCPI: device-specific

**Mode:** GSM/EDGE

## CONFigure:SPECTrum - Subsystem

This subsystem provides the commands for configuring the measurements in their the GSM/EDGE Analyzer mode (FS-K5) used to determine the power of the spectral contributions due to modulation and switching (modulation spectrum, transient spectrum).

COMMAND	PARAMETERS	UNIT	COMMENT
CONFigure			Option FS-K5
:SPECTrum			
:MODulation			
[:IMMediate]	--	--	no query
:SWITching			
[:IMMediate]	--	--	no query
:LIMit	ABS   REL	--	

### CONFigure:SPECTrum:MODulation[:IMMediate]

This command selects measurement of the spectrum due to modulation (MOD).

The overview measurement in the frequency domain is directly started with command INITate[:IMMediate], the list measurement in the time domain with command READ:SPECTrum:MODulation[:ALL]? .

When the measurement is started the analyzer is automatically set to single sweep. This command is only available in GSM/EDGE mode (FS-K5).

**Example:**

"INST M GSM"	'Switches the instrument to GSM/EDGE mode
"CONF:SPEC:MOD"	'Selects the MOD measurement
"SWE:COUN 20"	'Sets the number of bursts
"INIT:IMM;*WAI"	'Executes the overview measurement

**Characteristics:** \*RST value: --  
 SCPI: device-specific

**Mode:** GSM/EDGE

This command is an event and therefore has no query and no \*RST value .

### CONFigure:SPECTrum:SWITching[:IMMediate]

This command selects measurement of the spectrum due to switching transients (TRA).

The overview measurement in the frequency domain is directly started with command INITate[:IMMediate], the list measurement in the time domain with command READ:SPECTrum:MODulation[:ALL]? .

When the measurement is started the analyzer is automatically set to single sweep. This command is only available in GSM/EDGE mode (FS-K5).

**Example:**

"INST M GSM"	'Switches the instrument to GSM/EDGE mode
"CONF:SPEC:SWIT"	'Selects the TRA measurement
"SWE:COUN 20"	'Sets the number of bursts
"INIT:IMM;*WAI"	'Executes the overview measurement

**Characteristics:** \*RST value: --  
 SCPI: device-specific

**Mode:** GSM/EDGE

This command is an event and therefore has no query and no \*RST value .

**CONFigure:SPECtrum:SWITching:LIMit**

This command selects the type of limit check of the measurement of the spectrum due to switching transients (TRA). Default is the test against the absolute (ABS) limit line TRAU\_G or TRAU\_E depending on the modulation type (GSM/EDGE).

If the limit type REL is selected, the relative limit line TRRU\_G or TRRU\_E depending on the modulation type (GSM/EDGE) is used for the check.

For the relative measurement exists the necessary reference measurement READ:SPEC:SWIT which determines the reference power.

This command is only available in GSM/EDGE mode (FS-K5).

<b>Example:</b>	"INST MGSM"	'Switches the instrument to GSM MS mode
	"CONF:SPEC:SWIT"	'Selects the TRA measurement
	"CONF:SPEC:SWIT:LIM REL"	'Selects relative measurement type
	"SWE:COUN 20"	'Sets the number of bursts
	"READ:SPEC:SWIT:REF?"	'Starts the reference measurement
	"INIT:IMM;*WAI"	'Executes the overview measurement

<b>Characteristics:</b>	*RST value:	REL
	SCPI:	device-specific

**Mode:** GSM/EDGE

This command is an event and therefore has no query and no \*RST value .

## CONFigure:SPURious - Subsystem

This subsystem provides commands for configuring the measurements in the GSM/EDGE (FS-K5) Analyzer mode used for measuring the power of spurious emissions (SPU).

COMMAND	PARAMETERS	UNIT	COMMENT
CONFigure :SPURious [:IMMediate]	--	--	Option FS-K5  no query

### CONFigure:SPURious[:IMMediate]

This command selects measurement of spurious emissions.  
When the measurement is started the analyzer is automatically set to single sweep.  
This command is only available in GSM/EDGE mode (FS-K5).

**Example:**

```
"INST M GSM"      'Switches the instrument to GSM/EDGE mode
"CONF : SPUR"     'Selects the SPU measurement
"SWE : COUN 20"   'Sets the number of bursts
"INIT : IMM ; *WAI" 'Executes the overview measurement
```

**Characteristics:** \*RST value: --  
SCPI: device-specific

**Mode:** GSM/EDGE

This command is an event and therefore has no query and no \*RST value .





CCDF Measurement of complementary cumulative distribution function

**Example:** "CONF:WCDP:MEAS ACLR" 'Selects adjacent channel power measurement

**Characteristics:** \*RST value: WCDPower  
SCPI: device-specific

**Mode:** 3G FDD BTS

**CONFigure:WCDPower[:BTS]:CTABLE[:STATE] ON | OFF**

This command switches the channel table on or off. On switching on, the measured channel table is stored under the name RECENT and switched on. After the RECENT channel table is switched on, another channel table can be selected with the command CONF:WCDP:CTAB:SEL.

**Note:**

*The RECENT channel table must always be switched on first with the command CONF:WCDP:CTAB:STAT and then the required channel table can be selected with the command CONF:WCDP:CTAB:SEL.*

**Example:** "CONF:WCDP:CTAB ON" 'Switches the channel table on

**Characteristics:** \*RST value: OFF  
SCPI: device-specific

**Mode:** 3G FDD BTS

**CONFigure:WCDPower[:BTS]:CTABLE:SElect <file\_name>**

This command selects a predefined channel table file. Before using this command, the RECENT channel table must be switched on first with the command CONF:WCDP:CTAB.

**Example:** "CONF:WCDP:CTAB:SEL "CTAB\_1" 'Selects the predefined channel table file 'CTAB\_1'

**Characteristics:** \*RST value: "RECENT"  
SCPI: device-specific

**Mode:** 3G FDD BTS

**CONFigure:WCDPower[:BTS]:CTABLE:NAME <file\_name>**

This command selects an existing channel table or creates the name of a new channel table.

**Example:** "CONF:WCDP:CTAB:NAME "NEW\_TAB" 'Creates the new channel table file "NEW\_TAB"

**Characteristics:** \*RST value: ""  
SCPI: device-specific

**Mode:** 3G FDD BTS

**CONFigure:WCDPower[:BTS]:CTABLE:DATA** 2..9, 0..511,0 | 1,<numeric\_value> | AUTO,  
2 | 4 | 8 | 16,0 | 1,<numeric\_value>...

This command defines the values of the selected channel table. Each line of the table consists of 8 values:

<code class>,<code number>,<use TFCI>,<timing offset | AUTO>,<pilot length>,<pitch>,<status>,<CDP relative [dB]>....

Code class: 2 to 9  
Code number: 0 to 511  
use TFCI: 0: not used, 1: used  
Timing offset: 0 to 38400, for code class 9, the step width is 512, else 256, for AUTO, the timing offset is calculated by the instrument  
Pilot length: code class 9:4  
code class 8:2, 4, 8  
code class 7:4, 8  
code class 5/6:8  
code class 2/3/4/16  
Pitch: 0: normal channel, 1: pitch channel  
Status: 0: not active, 1:active  
CDP relative: for setting commands any value, for query CDP relative value

Channels PICH, CPICH and PCCPCH may only be defined once. If channel CPICH or PCCPCH is missing in the command, it is automatically added at the end of the table.

Prior to this command, the name of the channel table has to be defined with command

CONF:WCDP:CTAB:NAME.

**Example:** "CONF:WCDP:ctab:data 8,0,0,0,0,0,1,0.00,  
8,1,0,0,0,0,1,0.00,7,1,0,256,8,0,1,0.00"  
' 2 channels are defined: CPICH, PCCPCH and a channel in code class 7

**Characteristics:** \*RST value: -  
SCPI: device-specific

**Mode:** 3G FDD BTS

**CONFigure:WCDPower[:BTS]:CTABLE:COMMeNT** <string>

This command defines a comment for the selected channel table.

Prior to this command, the name of the channel table has to be defined with command CONF:WCDP:CTAB:NAME and the values of the table have to be defined with command CONF:WCDP:CTAB:DATA.

**Example:** "CONF:WCDP:CTAB:COMM "Comment for table 1"

**Characteristics:** \*RST value: ""  
SCPI: device-specific

**Mode:** 3G FDD BTS

**CONFigure:WCDPower[:BTS]:CTABLE:COpy** <file\_name>

This command copies one channel table onto another one. The channel table to be copied is selected with command CONF:WCDP:CTAB:NAME.

The name of the channel table may consist of max 8 characters.

**Parameter:** <file\_name> ::= name of the new channel table'

**Example:** "CONF:WCDP:CTAB:COpy "CTAB\_2"

**Characteristics:** \*RST value: --  
SCPI: device-specific

**Mode:** 3G FDD BTS

This command is an <Event> and therefore has no \*RST value and no query.

**CONFigure:WCDPower[:BTS]:CTABLE:DELeTe**

This command deletes the selected channel table. The channel table to be deleted is selected with command `CONF : WCDP : CTAB : NAME`.

**Example:** `"CONF : WCDP : CTAB : DEL` 'Deletes the currently selected channel table

**Characteristics:** \*RST value: --  
SCPI: device-specific

**Mode:** 3G FDD BTS

This command is an <Event> and therefore has no \*RST value and no query.

**CONFigure:WCDPower[:BTS]:CTABLE:CATalog?**

This command reads out the names of all channel tables stored on the hard disk.

Syntax of output format:

<Sum of file lengths of all subsequent files>,<free memory on hard disk>,  
<1st file name>,,<1st file length>,<2nd file name>,,<2nd file length>,,...,<nth file name>,  
<nth file length>

**Example:** `"CONF : WCDP : CTAB : CAT?`

**Characteristics:** \*RST value: --  
SCPI: device-specific

**Mode:** 33G FDD BTS

**:CONFigure:WCDPower[:BTS]:CTABLE:REStore**

This command restores all predefined channel tables.

**Example:** `" : CONF : WCDP : CTAB : REST`

**Characteristics:** \*RST value: --  
SCPI: device-specific

**Mode:** WCDP

This command is an "event" and therefore has no \*RST value and no query.

**CONFigure:WCDPower:MS:MEASurement** POWer | ACLR | ESPectrum | OBANdwidth | OBWidth | WCDPower | FDOMain | TDOMain | CCDF

This command selects the measured data of WCDMA mobile station tests (option FS-K73) that are to be displayed. The settings of the predefined measurements are described in detail in the operating manual of the option.

<b>Parameter:</b>	POWER	Channel power measurement with predefined settings
	ACLR	Adjacent channel power measurement (with predefined settings
	ESPectrum	Measurement of spectrum emission mask
	OBANdwidth   OBWidth	Measurement of occupied power bandwidth
	WCDPower	Code domain power measurement. This selection has the same effect as command <code>INSTrument:SElect WCDPower</code> .
	FDOMain	Overview measurement in the frequency domain with predefined settings
	TDOMain	Measurement of crest factor in the time domain with predefined settings
	CCDF	Measurement of complementary cumulative distribution function

**Example:** `"CONF : WCDP : MS : MEAS ACLR "` 'Selects adjacent channel power 'measurement

**Characteristics:** \*RST value: WCDPower  
SCPI: device-specific

**Mode:** 3G FDD UE

**CONFigure:WCDPower:MS:CTABLE[:STATe] ON | OFF**

This command switches the channel table on or off. On switching on, the measured channel table is stored under the name RECENT and switched on. After the RECENT channel table is switched on, another channel table can be selected with the command `CONF:WCDP:MS:CTAB:SEL`.

**Note:** *The RECENT channel table must always be switched on first with the command `CONF:WCDP:MS:CTAB:STAT` and then the required channel table can be selected with the command `CONF:WCDP:MS:CTAB:SEL`.*

**Example:** `"CONF:WCDP:MS:CTAB ON"` 'Switches on the currently selected channel table'

**Characteristics:** \*RST value: OFF  
SCPI: device-specific

**Mode:** 3G FDD UE

**CONFigure:WCDPower:MS:CTABLE:SElect <file\_name>**

This command selects a predefined channel table file. Before using this command, the RECENT channel table must be switched on first with the command `CONF:WCDP:MS:CTAB:STAT`.

**Example:** `"CONF:WCDP:MS:CTAB:SEL "CTAB_1"` 'Selects channel table 'CTAB\_1'

**Characteristics:** \*RST value: "RECENT"  
SCPI: device-specific

**Mode:** 3G FDD UE

**CONFigure:WCDPower:MS:CTABLE:NAME <file\_name>**

This command selects an existing channel table or creates the name of a new channel table.

**Example:** `"CONF:WCDP:MS:CTAB:NAME "NEW_TAB"` 'Creates the new channel table file "NEW\_TAB"

**Characteristics:** \*RST value: ""  
SCPI: device-specific

**Mode:** 3G FDD UE

**CONFigure:WCDPower:MS:CTABLE:DATA <numeric\_value>,<numeric\_value>...**

This command defines the values of the selected channel table.

<pilot length>,<code class>,<number of active channels>,<CDP relative 1>,<CDP relative 2>,<CDP relative 3>,<CDP relative 4>,<CDP relative 5>,<CDP relative 6>

Pilot length:	pilot length of channel DPCCH
Code class:	code class of channel 1. I-mapped
Number of active channels:	0 to 6
CDP relative 1:	measured value of channel 1, I-mapped, only when queried
CDP relative 2:	measured value of channel 2, I-mapped, only when queried
CDP relative 3:	measured value of channel 3, I-mapped, only when queried
CDP relative 4:	measured value of channel 4, I-mapped, only when queried
CDP relative 5:	measured value of channel 5, I-mapped, only when queried
CDP relative 6:	measured value of channel 6, I-mapped, only when queried

Prior to this command, the name of the channel table has to be defined with command `CONF:WCDP:MS:CTAB:NAME`.

**Example:** `"CONF:WCDP:MS:CTAB:DATA 8,4,1"`

**Characteristics:** \*RST value: -  
SCPI: device-specific

**Mode:** 3G FDD UE

**CONFigure:WCDPower:MS:CTABLE:COMMENT** <string>

This command defines a comment for the selected channel table.

Prior to this command, the name of the channel table has to be defined with command `CONF:WCDP:MS:CTAB:NAME` and the values of the table have to be defined with command `CONF:WCDP:MS:CTAB:DATA`.

**Example:** `"CONF:WCDP:MS:CTAB:COMM "Comment for table 1"`

**Characteristics:** \*RST value: ""  
SCPI: device-specific

**Mode:** 3G FDD UE

**CONFigure:WCDPower:MS:CTABLE:COPY** <file\_name>

This command copies one channel table onto another one. The channel table to be copied is selected with command `CONF:WCDP:MS:CTAB:NAME`.

The name of the channel table may consist of max 8 characters.

**Parameter:** <file\_name> ::= name of the new channel table'

**Example:** `"CONF:WCDP:MS:CTAB:COPY "CTAB_2"'Copies the currently selected  
'channel table onto channel  
'table 'CTAB_2`

**Characteristics:** \*RST value: --  
SCPI: device-specific

**Mode:** 3G FDD UE

This command is an <Event> and therefore has no \*RST value and no query.

**CONFigure:WCDPower:MS:CTABLE:DELeTe**

This command deletes the selected channel table. The channel table to be deleted is selected with command `CONF:WCDP:MS:CTAB:NAME`.

**Example:** `"CONF:WCDP:MS:CTAB:DEL'Deletes the currently selected channel table`

**Characteristics:** \*RST value: --  
SCPI: device-specific

**Mode:** 3G FDD UE

This command is an <Event> and therefore has no \*RST value and no query.

**CONFigure:WCDPower:MS:CTABLE:CATalog?**

This command reads out the names of all channel tables stored on the hard disk.

Syntax of output format:

<Sum of file lengths of all subsequent files>,<free memory on hard disk>,  
<1st file name>,,<1st file length>,<2nd file name>,,<2nd file length>,,...,<nth file name>,  
<nth file length>.

**Example:** `"CONF:WCDP:MS:CTAB:CAT?"`

**Characteristics:** \*RST value: --  
SCPI: device-specific

**Mode:** 3G FDD UE

**CONFigure:WCDPower:MS:EVALuation[:LENGTH] SLOT | FRAME**

This command is used to define whether the measurement results of the code domain are determined on the basis of a slot or the entire frame.

**Example:** "CONF:WCDP:MS:EVAL FRAM" ' Select frame-based evaluation

**Characteristics:** \*RST value: SLOT  
SCPI: device-specific

**Mode:** 3G FDD UE

## CONFigure:CDPower subsystem

This subsystem contains the commands for the selection and configuration of measurements in the cdma2000 application firmware. The numerical suffix 1 is allowed with CONFigure. You will find more example of the code domain power analysis under the :[SENSE]:CDPower command. Further settings for the spectrum emission mask measurement can be found under the CALCulate:LIMit:ESpectrum command.

COMMAND	PARAMETER	UNIT	COMMENT
CONFigure :CDPower [:BTS] :MEASurement  :CTABLE [:STATe] :SElect :NAME :DATA  :COMment :COpy :DElete :CATalog? :RESTore :BClass	POWer   ACLR   ESpectrum   OBANdwidth   OBWidth   CDPower   CCDF  <Boolean> <file_name> <file_name> <numeric_value>, <numeric_value>, <numeric_value>, <numeric_value>, <numeric_value>, <numeric_value>, <numeric_value> ... <string> <file_name>  <numeric_value>		FS-K82 option

### Command for option FS-K82 cdma2000 BTS:

**CONFigure<1>:CDPower[:BTS]:MEASurement** POWer | ACLR | ESpectrum | OBANdwidth | OBWidth | CDPower | CCDF

This command selects the measurement of the application FS-K82, cdma2000 base station test. The predefined settings of the different measurements are described at length in Chapter 6.

**Parameters:**

POWER	Channel power measurement (standard cdma2000 Forward) with predefined settings
ACLR	Adjacent channel power measurements (standard cdma2000 Forward) with predefined settings
ESpectrum	Check of signal power (spectrum emission mask)
OBANdwidth   OBWidth	Measurement of the occupied bandwidth
CDPower	Code domain analyzer measurement.
CCDF	Measurement of the complementary cumulative distribution function

**Example:**

```
"INST:SEL BC2K" 'Activate cdma2000 BTS
"INIT:CONT OFF" 'Select single sweep
"CONF:CDP:MEAS POW" 'Select channel power measurement
"INIT;*WAI" 'Start measurement with 'synchronization
```

**Feature:** \*RST value: CDPower  
SCPI:device-specific

**Mode:** cdma2000 BTS



**CONFigure<1>:CDPower[:BTS]:MEASurement** POWer | ACLR | ESPectrum | OBANdwith | OBWidth |  
CDPower | CCDF

This command selects the measurement of Application FS-K84, 1xEV-DO base station tests. The predefined settings of the different measurements are described at length in Chapter 6.

<b>Parameters:</b>	POWer	Power channel measurement (Standard 1xEV-DO Forward) with predefined settings
	ACLR	Adjacent channel power measurements (Standard 1xEV-DO forward) with predefined settings
	ESPectrum	Check on signal power (Spectrum Emission Mask)
	OBANdwith   OBWidth	Measurement of occupied bandwidth
	CDPower	Code domain analyzer measurement.
	CCDF	Measurement of the Complementary Cumulative Distribution function (signal statistics measurement)

<b>Feature:</b>	*RST value:	CDPower
	SCPI:	device-specific

<b>Mode:</b>	1xEV-DO BTS
--------------	-------------

**Command for optionen FS-K82 cdma2000 BTS and FS-K84 1xEV-DO BTS:**

**CONFigure<1>:CDPower[:BTS]:CTABle[:STATe] ON | OFF**

This command enables and disables the channel table. Enabling results in the measured channel table is saved as "RECENT" and enabled. After the channel table called "RECENT" has been enabled, another channel table can be selected with the CONF:CDP:CTABle:SElect command

**Note:** *You must always enable the "RECENT" channel table first with the CONF:CDP:CTAB:STAT command and then use the CONF:CDP:CTAB:SElect command to select the channel table you required*

**Example:**

"INST:SEL BC2K"	'Activate cdma2000 BTS, implicit are
	'CDP relative on screen A and
	'result summary active on screen B
"INIT:CONT OFF"	'Select single sweep
"CONF:CDP:CTAB ON"	'Use predefined channel table
"CONF:CDP:CTAB:SEL 'CTAB_1'"	'Select channel table
"INIT;*WAI"	'Start measurement with
'synchronization	

**Example:**

**Features:** \*RST value: OFF  
 SCPI: device-specific

**Mode:** cdma2000 BTS

**CONFigure<1>:CDPower[:BTS]:CTABle:SElect <string>**

This command selects a predefined channel table file. Before using this command, you must enable the "RECENT" channel table first by means of the CONF:CDP:CTAB ON command.

**Example:**

"INST:SEL BC2K"	'Activate cdma2000 BTS, implicit are
	'CDP relative on screen A and
	'result summary active on screen B
"INIT:CONT OFF"	'Select single sweep
"CONF:CDP:CTAB ON"	'Use predefined channel table
"CONF:CDP:CTAB:SEL 'CTAB_1'"	'Select channel table
"INIT;*WAI"	'Start measurement with synchronization

**Features:** \*RST value: "RECENT"  
 SCPI: device-specific

**Mode:** cdma2000 BTS

**CONFigure:CDPower[:BTS]:CTABle:NAME <file\_name>**

This command selects a channel table for editing or creating. It is not used for the analysis. In this respect refer to the commands CONF:CDP:CTAB:STAT and CONF:CDP:CTAB:SEL.

**Example:**

"INST:SEL BC2K"	'Activate cdma2000 BTS
"CONF:CDP:CTAB:NAME 'NEW_TAB'"	'Select table for editing

**Features:** \*RST value: ""  
 SCPI: device-specific

**Mode:** cdma2000 BTS

**:CONFigure:CDPower[:BTS]:CTABLE:DATA** 0..11, 2..7, 0..127, 0..5, 0, 0, 0 | 1, <numeric\_value>...

This command defines a channel table. The whole table is defined in one go. The inactive channels (INACTIVE) do not have to be defined. Eight values are specified for a line of table.

<Channel type >, <Code class>, <Code number>, <Radio configuration>, <Reserved1>, <Reserved2>, <Status>, <CDP relative [dB]>, ....

Channel type	The channel type is coded with numbers as follows:
	0 = PICH
	1 = SYNC
	2 = PCH
	3 = TDPICH
	4 = APICH
	5 = ATDPICH
	6 = BCH
	7 = CPCCH
	8 = CACH
	9 = CCCH
	10 = CHAN
	11 = INACTIVE
	Code class: 2 to 7
Code number:	0 to 127
Radio configuration	0 for all special channels; for the others (CHAN), the values 1, 2, 3, 4 and 5 are allowed.
Reserved1:	Always 0 (reserved)
Reserved2:	Always 0 (reserved)
Status:	0: inactive, 1:active
	Can be used in a setting command to disable a channel temporarily
CDP relative:	Any with setting command, relative with CDP query

Before using this command, you must set the name of the channel table using the `CONF:CDP:CTAB:NAME` command.

**Example:**

```
"INST:SEL BC2K" "Activate cdma2000 BTS"
"CONF:CDP:CTAB:NAME 'NEW_TAB'" "Select table for editing"
"CONF:CDP:CTAB:DATA 0,6,0,0,0,0,1,0.0,
10,5,3,4,0,0,1,0.0" "Selects PICH 0.64 and data channel
with RC4/Walsh code 3.32."
```

**Features:**

- \*RST value: -
- SCPI: device-specific

**Mode:** cdma2000 BTS

#### Command for option FS-K84 1xEV-DO BTS:

**:CONFigure:CDPower[:BTS]:CTABLE:DATA** 0..7, 4..6, 0..63, 0..4, 0, 0, 0 | 1, <numeric\_value>...

This command defines a channel table. The whole table is defined in one go. The inactive channels (INACTIVE) do not have to be defined. Eight values are specified for a line of table.

<Channel type>, <Code class>, <Code number>, <Modulation>, <Reserved1>, <Reserved2>, <Status>, <CDP Relative [dB]>, etc.

Channel type	The channel type is numerically coded as follows:
	0 = PILOT
	1 = MAC
	2 = PREAMBLE with 64 chip length
	3 = PREAMBLE with 128 chip length
	4 = PREAMBLE with 256 chip length
	5 = PREAMBLE with 512 chip length
	6 = PREAMBLE with 1024 chip length

Code class: 7 = DATA  
 Depending on channel type, fixed: PILOT: 5, MAC: 6,  
 PREAMBLE: 5 and DATA: 4 (spreading factor = 2^code class)  
 Code number: 0...spreading factor-1  
 Modulation: Modulation type including mapping:  
 0 = BPSK-I  
 1 = BPSK-Q  
 2 = QPSK  
 3 = 8-PSK  
 4 = 16-QAM  
 Modulation types QPSK/8-PSK/16-QAM have complex values.  
 Reserved1: Always 0 (reserved)  
 Reserved2: Always 0 (reserved)  
 Status: 0: inactive, 1:active  
 Can be used in a setting command to disable a channel temporarily  
 CDP relative: Any with setting command, relative with CDP query

Before using this command, you must set the name of the channel table using the  
 CONF:CDP:CTAB:NAME command.

**Example:** "INST:SEL BDO" 'Activate 1xEV-DO BTS  
 "CONF:CDP:CTAB:NAME 'NEW\_TAB' " 'Select table for processing  
 "CONF:CDP:CTAB:DATA 0,5,0,0,0,0,1,0.0,  
 1,6,35,1,0,0,1,0.0"  
 'Selects PILOT 0.32 BPSK-I and 'MAC 35.64 BPSK-Q..

**Features:** \*RST value: -  
 SCPI: device-specific

**Mode:** 1xEV-DO BTS

**Command for optionen FS-K82 cdma2000 BTS and FS-K84 1xEV-DO BTS:**

**:CONFigure:CDPower[:BTS]:CTABLE:COMMENT <string>**

This command defines a comment on the selected channel table.

Before using this command, you must set the name of the channel table using the  
 CONF:CDP:CTAB:NAME command and enter a valid channel table by means of  
 CONF:CDP:CTAB:DATA.

**Example:** "INST:SEL BC2K" 'Activate cdma2000 BTS  
 "CONF:CDP:CTAB:NAME 'NEW\_TAB' " 'Select table for editing  
 "CONF:CDP:CTAB:COMM 'Comment for NEW\_TAB' "

**Features:** \*RST value: ""  
 SCPI: device-specific

**Mode:** cdma2000 BTS

**:CONFigure:CDPower[:BTS]:CTABLE:COPY** <file\_name>

This command copies one channel table to another. You select the channel table you want to copy by means of the CONF:CDP:CTAB:NAME command.

**Parameter:** <file\_name> ::= name of the new channel table

**Example:** "INST:SEL BC2K" 'Activate cdma2000 BTS  
 "CONF:CDP:CTAB:NAME 'CTAB\_1'" 'Select table for editing  
 "CONF:CDP:CTAB:COPY 'CTAB\_2'" 'Copies CTAB\_1 to C\_TAB2

**Features:** \*RST value: --  
 SCPI: device-specific

**Mode:** cdma2000 BTS

The name of the channel table may contain up to 8 characters. This command is an "event" and therefore has neither a \*RST value nor a query function.

**:CONFigure:CDPower[:BTS]:CTABLE:DELeTe**

This command deletes the selected channel table. You select the channel table you want to delete by means of the CONF:C2KP:CTAB:NAME command.

**Example:** "INST:SEL BC2K" 'Activate cdma2000 BTS  
 "CONF:CDP:CTAB:NAME 'CTAB\_2'" 'Select table for editing  
 "CONF:CDP:CTAB:DEL" 'Deletes CTAB\_2

**Features:** \*RST value: --  
 SCPI: device-specific

**Mode:** cdma2000 BTS

This command is an "event" and therefore has neither a \*RST value nor a query function.

**:CONFigure:CDPower[:BTS]:CTABLE:CATalog?**

This command queries the names of all the channel tables stored on the hard disk for cdma2000 BTS.

The syntax of this output format is as follows:

<Sum of file sizes of all subsequent files>,<Spare storage space on fixed disk>,  
 <1st file name>,<1st file size>,<2nd file name>,<2nd file size>,,...,<nth file name>,,  
 <nth file size>,,

**Example:** "INST:SEL BC2K" 'Activate cdma2000 BTS  
 "CONF:CDP:CTAB:CAT?" 'Query catalog

**Features:** \*RST value: --  
 SCPI: device-specific

**Mode:** cdma2000 BTS

**:CONFigure:CDPower[:BTS]:CTABLE:RESTore**

This command restores the supplied channel table. Any channel tables delivered with the instrument modified by the customer are thus returned to their initial state.

**Example:**           "INST:SEL BDO"                               'Activate 1xEV-DO BTS  
                   "CONF:CDP:CTAB:REST"               'Restore table

**Features:**       \*RST value:--  
                   SCPI:device-specific

**Mode:**            cdma2000 BTS, 1xEV-DO BTS

This command is an "event" and therefore has neither a a \*RST value nor a query function.

**:CONFigure:CDPower[:BTS]:BCLass 0...12**

This command selects the band class.

Band class	Name
0	800 MHz Band
1	1900 MHz Band
2	TACS Band
3	JTACS Band
4	Korean PCS Band
5	450 MHz Band
6	2 GHz Band
7	700 MHz Band
8	1800 MHz Band
9	900 MHz Band
10	Secondary 800 MHz Band
11	400 MHz European PAMR Band
12	800 MHz PAMR Band

**Example:**           "INST:SEL BC2K"                               'Activate cdma2000 BTS  
                   "INIT:CONT OFF"                   'Select single sweep  
                   "CONF:CDP:BCL 1"                 'Select band class 1, 1900 MHz

**Features:**       \*RST value:    0  
                   SCPI:            device-specific

**Mode:**            cdma2000 BTS

## DIAGnostic Subsystem

The DIAGnostic subsystem contains the commands which support instrument diagnostics for maintenance, service and repair. In accordance with the SCPI standard, all of these commands are device-specific.

The measurement windows are selected by DIAGnostic1 (screen A) or DIAGnostic2 (screen B) .

COMMAND	PARAMETERS	UNIT	COMMENT
DIAGnostic<1 2> :SERVice :INPut [:SElect] :PULSed [:STATe] :PRATe :SFUNction :NSOurce :CSOurce [:POWer] :STESt :RESult?  :HWINfo?	CALibration   RF  <Boolean> <numeric_value> <string> <Boolean>  <numeric_value>	--  Hz  DBM	   no query   nur Abfrage  query only

### DIAGnostic<1|2>:SERVice:INPut[:SElect] CALibration | RF

This command toggles between the RF input on the front panel and the internal 128-MHz reference signal in the selected measurement window. The level of the 128-MHz signals can be selected by command `DIAG:SERV:CSOurce`.

**Example:** "DIAG:SERV:INP CAL"

**Characteristics:** \*RST value: RF  
SCPI: device-specific

**Mode:** all

### DIAGnostic<1|2>:SERVice:INPut:PULSed[:STATe] ON | OFF

This command toggles the calibration signal in the selected measurement window between pulsed and non-pulsed. The selection takes effect only if the RF input has been set to the internal reference signal using `DIAG:SERV:INP CAL`.

**Example:** "DIAG:SERV:INP CAL;  
DIAG:SERV:INP:PULS ON"

**Characteristics:** \*RST value: OFF  
SCPI: device-specific

**Mode:** all

This command is only available in conjunction with the optional Broadband Calibration Source FSP-B15.

**DIAGnostic<1|2>:SERVICE:INPut:PULSed:PRATe** 10 kHz | 62.5 kHz

This command selects the pulse rate for the pulsed calibration signal in the selected measurement window.

Available pulse frequencies are 10 kHz and 62.5 kHz

**Example:** "DIAG:SERV:INP:PRAT 62.5 kHz"

**Characteristics:** \*RST value: 62.5 kHz  
SCPI: device-specific

**Mode:** all

This command is only available in conjunction with the optional Broadband Calibration Source FSP-B15.

**DIAGnostic<1|2>:SERVICE:SFUNction** <string>...

This command activates a service function which can be selected by indicating the five parameters: function group number, board number, function number, parameter 1 and parameter 2 (see service manual). The contents of the parameter string is identical to the code to be entered in the data entry field of manual operation.

The entry of a service function is accepted only if the system password Level 1 or Level 2 has been entered previously (command: SYSTem:SECurity).

The numeric suffix <1|2> is ignored with this command.

**Note:** *The service functions of the instrument are not identical to those of the FSE family. That is why the IEC/IEEE-bus command differs in syntax and data format.*

**Example:** "DIAG:SERV:SFUN '2.0.2.12.1'"

**Characteristics:** \*RST value: -  
SCPI: device-specific

**Mode:** all

**DIAGnostic<1|2>:SERVICE:NSOource** ON | OFF

This command switches the 28-V supply of the noise source at the rear panel on or off.

The numeric suffix <1|2> is ignored with this command.

**Example:** "DIAG:SERV:NSO ON"

**Characteristics:** \*RST value: OFF  
SCPI: device-specific

**Mode:** all

**DIAGnostic<1|2>:SERVICE:CSOource[:POWER]** <numeric\_value>

This command switches the level of the 128 MHz reference signal source between 0 dBm and -30 dBm in the selected measurement window.

**Example:** "DIAG:SERV:CSO 0DBM"

**Characteristics:** \*RST value: -30 dBm  
SCPI: device-specific

**Mode:** all



**DIAGnostic<1|2>:SERVice:STESt:RESult?**

This command reads the results of the selftest out of the instrument. The lines of the result table are output as string data separated by commas:

```
"Total Selftest Status: PASSED", "Date (dd/mm/yyyy): 09/07/1999
TIME: 16:24:54", "Runtime: 00:06", "...
```

The numeric suffix <1|2> is ignored with this command.

**Example:** "DIAG:SERV:STES:RES?"

**Characteristics:** \*RST value: --  
SCPI: device-specific

**Mode:** all

**DIAGnostic<1|2>:SERVice:HWINfo?**

This command queries the contents of the module info table. Table lines are output as string data and are separated by commas.

```
"<component 1>|<serial #>|<order #>|<model>|<HWC>|<rev>|<sub rev>",
"<component 2>|<serial #>|<order #>|<model>|<HWC>|<rev>|<sub rev>",...
```

The individual columns of the table are separated from each other by '|'.

The numeric suffix <1|2> is ignored with this command.

**Example:** "DIAG:SERV:HWIN?"

**Result (shortened):**

```
"RF_ATTEN_7|650551/007|1067.7684|02|00|20|04",
"IF-FILTER|648158/037|1093.5540|03|01|07|05",
..."
```

**Characteristics:** \*RST value: --  
SCPI: device-specific

**Mode:** all

**DIAGnostic<1|2>:SERVice:IQ:CALibration:DESTination IHIGH | ILOW | QHIGH | QLOW**

The calibration signals (DC Cal signal and Pulse Cal signal) can only be switched to one input at a time. This command switches the calibration signal to the I or Q path.

High selects the positive and low the negative input. The negative input is only connected through at the Balanced setting. The calibration signals are always positive. An inverted signal therefore appears in the output data during feeding into the negative input (Low).

The DC Cal signal voltage is set using the command `diag:serv:iq:cal:dc`, and the frequency of the Pulse Cal signal is set using the command `diag:serv:iq:cal:puls:prat`.

IHIGH	Feed the calibration signal into the positive I path
ILOW	Feed the calibration signal into the negative I path
QHIGH	Feed the calibration signal into the positive Q path
QLOW	Feed the calibration signal into the negative Q path

The numeric suffix <1|2> has no meaning with this command.

**Example:** "DIAG:SERV:IQ:CAL:DEST QHIG"

**Features:** \*RST value: IHigh  
 SCPI: device-specific

**Mode:** IQBB

**DIAGnostic<1|2>:SERVice:IQ:CALibration:DC 0 | 0.1 | 0.178 | 0.316 | 0.562 | 1.0**

This command selects the voltage for the DC Cal signal in Volt.  
 The numeric suffix <1|2> has no meaning with this command.

**Example:** "DIAG:SERV:IQ:CAL:DC 0.316"

**Features:** \*RST value: 0  
 SCPI: device-specific

**Mode:** IQBB

**DIAGnostic<1|2>:SERVice:IQ:CALibration:PULSe:PRATe 10KHz | 62.5KHz | 80KHz | 100KHz | 102.4KHz | 200KHz | 500KHz | 1MHz | 2MHz | 4MHz**

This command sets the frequency of the Pulse Cal signal.  
 The numeric suffix <1|2> has no meaning with this command.

**Example:** "DIAG:SERV:IQ:CAL:PULS:PRAT 80KHZ"

**Features:** \*RST value: 62.5 kHz  
 SCPI: device-specific

**Mode:** IQBB

**DIAGnostic<1|2>:SERVice:IQ:INPut IQ | GND | CALDc | CALPulse**

This command selects the baseband signal source.

IQ	The female I and Q connectors of the FSP are the baseband signal sources.
GND	The baseband inputs are internally connected to ground.
CALDc	The baseband signal source is the DC Cal signal. The voltage of this signal can be set with diag:serv:iq:cal:dc.
CALPulse	The baseband signal source is the Pulse Cal signal. The frequency of this signal can be set with diag:serv:iq:prat.

The numeric suffix <1|2> has no meaning with this command.

**Example:** "DIAG:SERV:IQ:INP CALD"

**Features:** \*RST value: IQ  
 SCPI: device-specific

**Mode:** IQBB

## DISPlay Subsystem

The DISPlay subsystem controls the selection and presentation of textual and graphic information as well as of measurement data on the display.

The measurement windows are selected by WINDow1 (screen A) or WINDow2 (screen B) .

COMMAND	PARAMETERS	UNIT	COMMENT
:FORMat	SINGle SPLit		
:ANNotation			
:FREQuency	<Boolean>		
:LOGO	<Boolean>		
:PSAVe			
[:STATe]	<Boolean>		
:HOLDoff	1..60	--	
:CMAP<1...26>			
:DEFault<1 2>			
:HSL	0..1,0..1,0..1		
:PDEFined	BLACK   BLUE   BROWn   GREen   CYAN   RED   MAGenta   YELLow   WHITE   DGRAY   LGRAY   LBLUe   LGREen   LCYan   LRED   LMAGenta		
[:WINDow<1 2>]			
:SElect			no query
:SIZE	LARGE SMALI		
:TEXT			
[:DATA]	<string>		
:STATe	<Boolean>		
:TIME	<Boolean>		
:TRACe<1...3>			
:X			
:Y			
[:SCALE]	<numeric_value>	DB	
:MODE	ABSolute   RELative		
:RLEVel	<numeric_value>	DBM	
:OFFSet	<numeric_value>	DB	
:RVALue	<numeric_value>	DB   HZ	
:RPOSition	<numeric_value>	PCT	
:PDIVision	<numeric_value>	DBM DB HZ	Option FM demodulator
:SPACing	LINear LOGarithmic LDB	--	
:MODE	WRITE VIEW AVERAge  MAXHold MINHold RMS	--	
[:STATe]	<Boolean>	--	

**DISPlay:FORMat** SINGLE | SPLit

This command switches the measurement result display between FULL SCREEN and SPLIT SCREEN. The coupling of settings between screen A and screen B can be selected with the command `INSTRument:COUPle`.

In full-screen display the active measurement window can be selected with `DISPlay:WINDow<1|2>:SElect`.

**Note:** *This command is not available during active GSM measurements. For GSM/EDGE mode, the display is always set to FULL SCREEN.*

**Example:** `"DISP:FORM SPL"` 'Switches the display to 2 measurement windows.

**Characteristics:** \*RST value: SINGLE  
SCPI: device-specific

**Mode:** A

**DISPlay:ANNOtation:FREQuency** ON | OFF

This command switches the X axis annotation on or off.

**Example:** `"DISP:ANN:FREQ OFF"`

**Characteristics:** \*RST value: ON  
SCPI: conforming

**Mode:** all

**DISPlay:LOGO** ON | OFF

This command switches the company logo on the screen on or off.

**Example:** `"DISP:LOGO OFF"`

**Characteristics:** \*RST value: ON  
SCPI: device-specific

**Mode:** all

**DISPlay:PSAVe[:STATe]** ON | OFF

This command switches on or off the power-save mode of the display. With the power-save mode activated the display including backlight is completely switched off after the elapse of the response time (see command `DISPlay:PSAVe:HOLDoff`).

**Note:** *This mode is recommended for preserving the display especially if the instrument is exclusively operated via remote control.*

**Example:** `"DISP:PSAVe ON"` 'Switches on the power-save mode.

**Characteristics:** \*RST value: OFF  
SCPI: device-specific

**Mode:** all

**DISPlay:PSAVe:HOLDoff** 1 to 60

This command sets the holdoff time for the power-save mode of the display. The available value range is 1 to 60 minutes, the resolution 1 minute. The entry is dimensionless.

**Example:** `"DISP:PSAV:HOLD 30"`

**Characteristics:** \*RST value: 15  
SCPI: device-specific

**Mode:** all

**DISPlay:CMAP<1 to 26>:DEFault<1|2>**

This command resets the screen colors of all display items to their default settings. Two default settings DEFault1 and DEFault2 are available. The numeric suffix of CMAP is irrelevant.

**Example:** "DISP:CMAP:DEF2" 'Selects default setting 2 for setting the colors.

**Characteristics:** \*RST value: --  
SCPI: conforming

**Mode:** all

This command is an event and therefore has no query and no \*RST value .

**DISPlay:CMAP<1 to 26>:HSL <hue>,<sat>,<lum>**

This command defines the color table of the instrument.

Each numeric suffix of CMAP is assigned one or several graphical elements which can be modified by varying the corresponding color setting. The following assignment applies:

CMAP1	Background
CMAP2	Grid
CMAP3	Function field + status field + data entry text
CMAP4	Function field LED on
CMAP5	Function field LED warn
CMAP6	Enhancement label text
CMAP7	Status field background
CMAP8	Trace 1
CMAP9	Trace 2
CMAP10	Trace 3
CMAP11	Marker
CMAP12	Lines
CMAP13	Measurement status + limit check pass
CMAP14	Limit check fail
CMAP15	Table + softkey background
CMAP16	Table + softkey text
CMAP17	Table selected field text
CMAP18	Table selected field background
CMAP19	Table + data entry field opaq titlebar
CMAP20	Data entry field opaq text
CMAP21	Data entry field opaq background
CMAP22	3D shade bright part
CMAP23	3D shade dark part
CMAP24	Softkey state on
CMAP25	Softkey state data entry
CMAP26	Logo

**Parameter:** hue = TINT  
sat = SATURATION  
lum = BRIGHTNESS

The value range is 0 to 1 for all parameters.

**Example:** "DISP:CMAP2:HSL 0.3,0.8,1.0" Changes the grid color.

**Characteristics:** \*RST value: --  
SCPI: conforming

**Mode:** all

The values set are not changed by \*RST.

**DISPlay:CMAP<1 to 26>:PDEFined** BLACK | BLUE | BROWn | GREen | CYAN | RED | MAGenta |  
 YELLOW | WHITE | DGRAY | LGRAY | LBLUe | LGREEN | LCYan  
 | LRED | LMAGenta

This command defines the color table of the instrument using predefined color values. Each numeric suffix of CMAP is assigned one or several graphical elements which can be modified by varying the corresponding color setting.

The same assignment as for DISPlay:CMAP<1 to 26>:HSL applies.

**Example:** "DISP:CMAP2:PDEF GRE"

**Characteristics:** \*RST value: --  
 SCPI: conforming

**Mode:** all

The values set are not changed by \*RST.

### DISPlay[:WINDow<1|2>]:SElect

This command selects the active measurement window. WINDow1 corresponds to SCREEN A, WINDow2 to SCREEN B.

In FULL SCREEN mode, the measurements are only performed in the active measurement window. Measurements are therefore initiated in the active window and result queries (marker, trace data and other results) answered also in the active window.

Initiating measurements and querying results in the inactive window yields an error message (execution error).

In split screen mode, the selection of the active window for result queries is irrelevant.

- Note:**
- In FULL SCREEN mode, settings can also be performed in the inactive measurement window. They become effective as soon as the corresponding window becomes active.
  - This command is not available in GSM/EDGE mode. In GSM/EDGE mode, the display is always set to FULL SCREEN, which corresponds to SCREEN A and thus to WINDow1. WINDow1 is automatically selected when the GSM/EDGE mode is activated with command INSTRument:SElect:MGSM.

**Example:** "DISP:WIND2:SEL 'Selects SCREEN B as active measurement window."

**Characteristics:** \*RST value: SCREEN A active  
 SCPI: device-specific

**Mode:** A

This command is an event and therefore has no query.

### DISPlay[:WINDow<1|2>]:SIZE LARGE | SMALL

This command switches the measurement window for channel and adjacent-channel power measurements or for active FM demodulator (FS-K7) to full screen or half screen. Only "1" is allowed as a numerical suffix.

**Example:** "DISP:WIND1:SIZE LARG" 'Switches the measurement window to full screen.

**Characteristics:** \*RST value: SMALL  
 SCPI: device-specific

**Mode:** A, 3G FDD, FM



**DISPlay[:WINDow<1|2>]:TRACe<1 to 3>:Y[:SCALe]:RLEVel** -130dBm to 30dBm

This command defines the reference level in the selected measurement window. Depending on the coupling of the measurement windows, it is valid for both screens (`INSTRument:COUPLe ALL`) or only for the selected measurement window (`INSTRument:COUPLe NONE`).

With the reference level offset  $\neq 0$  the indicated value range of the reference level is modified by the offset.

The unit depends on the setting defined with `CALCulate:UNIT`. The numeric suffix in `TRACe<1 to 3>` is irrelevant.

**Example:** `"DISP:TRAC:Y:RLEV -60dBm"`

**Characteristics:** \*RST value: -20dBm  
SCPI: conforming

**Mode:** A, GSM/EDGE

**DISPlay[:WINDow<1|2>]:TRACe<1 to 3>:Y[:SCALe]:RLEVel:OFFSet** -200dB to 200dB

This command defines the offset of the reference level in the selected measurement window. Depending on the coupling of the measurement windows, it is valid for both screens (`INSTRument:COUPLe ALL`) or only for the selected measurement window (`INSTRument:COUPLe NONE`).

The numeric suffix at `TRACe<1 to 3>` is irrelevant.

**Example:** `"DISP:TRAC:Y:RLEV:OFFS -10dB"`

**Characteristics:** \*RST value: 0dB  
SCPI: conforming

**Mode:** A, GSM/EDGE

**DISPlay[:WINDow<1|2>]:TRACe<1 to 3>:Y[:SCALe]:RVALue** <numeric\_value>

If the tracking generator option or the external generator control option (FSP-B9/B10) is mounted and the normalization in the NETWORK mode is activated, this value defines the power value assigned to the reference position in the selected measurement window. This value corresponds to the parameter REFERENCE VALUE in manual operation.

The numeric suffix at `TRACe<1 to 3>` is irrelevant.

**Example:**

`"DISP:TRAC:Y:RVAL 0"`

'Sets the power value assigned to the reference position to 0 dB (Tracking Generator/Ext. Generator Control option) or 0 Hz (FM demodulator option)

**Characteristics:** \*RST value: 0 dB (Mode NETWORK)  
0 Hz (FM demodulator mode with FM display)  
2.5MHz (FM demodulator mode with AF spectrum display of FM)

SCPI: device specific

**Modes:** A, GSM/EDGE



**DISPlay[:WINDow<1|2>]:TRACe<1 to 3>:Y[:SCALe]:RPOsition** 0 to 100PCT

This command defines the position of the reference value in the selected measurement window. The numeric suffix in TRACe<1 to 3> is irrelevant.

In operating mode NETWORK (Tracking Generator /Ext. Generator Option FSP-B9/B10) with active normalization, RPOsition defines the reference point for the output of the normalized measurement results.

With the FM demodulator (FS-K7) switched on, the reference position for result display RF POWER and SPECTRUM is kept separate from that for result display FM.

**Example:** "DISP:TRAC:Y:RPOS 50PCT"

**Characteristics:** \*RST value: 100PCT(SPECTRUM mode)  
50 PCT (NETWORK and FM DEMOD mode)  
50 PCT (Mode FM-DEMOM withFM display)  
100 PCT(Mode FM-DEMOM with AF spectrum display of FM)  
SCPI: conforming

**Mode:** A, GSM/EDGE

**DISPlay[:WINDow<1|2>]:TRACe<1 to 3>:Y[:SCALe]:PDIVision** <numeric\_value>

This command defines the scaling of the Y axis in the current unit.

**Example:** "DISP:TRAC:Y:PDIV +1.20"

**Characteristics:** \*RST value: -  
SCPI: conforming

**Mode:** FM

The numeric suffix in TRACe<1 to 3> is irrelevant. The command is only available with option FS-K7 (FM Demodulator).

**DISPlay[:WINDow<1|2>]:TRACe<1 to 3>:Y:SPACing** LINear | LOGarithmic| LDB

This command toggles between linear and logarithmic display in the selected measurement window. On a linear scale, switchover between the unit % (command DISP:WIND:TRAC:Y:SPAC LIN) and the unit dB (command DISP:WIND:TRAC:Y:SPAC LDB) is also possible.

If the FM demodulator (FS-K7) is active and result display AF spectrum of FM is selected, only the parameters LINear and LOGarithmic are permissible.

The numeric suffix in TRACe<1 to 3> is irrelevant.

**Note:** This command is not available during active GSM measurements.

**Example:** "DISP:TRAC:Y:SPAC LIN"

**Characteristics:** \*RST value: LOGarithmic  
SCPI: conforming

**Mode:** A, FM

**DISPlay[:WINDow<1|2>]:TRACe<1 to 3>:MODE** WRITe | VIEW | AVERAge | MAXHold | MINHold

This command defines the type of display and the evaluation of the traces in the selected measurement window. WRITE corresponds to the Clr/Write mode of manual operation. The trace is switched off (= BLANK in manual operation) with `DISP:WIND:TRAC:STAT OFF`.

The number of measurements for AVERAge, MAXHold and MINHold is defined with the command `SENSe:AVERAge:COUNT` or `SENSe:SWEep:COUNT`. It should be noted that synchronization to the end of the indicated number of measurements is only possible in single sweep mode.

If calculation of average values is active, selection between logarithmic and linear averaging is possible. For more detail see command `SENSe:AVERAge:TYPE`.

**Example:**

"SWE:CONT OFF"	Switching to single-sweep mode.
"SWE:COUN 16"	'Sets the number of measurements to 16.
"DISP:WIND1:TRAC3:MODE MAXH"	'Switches on the calculation of the for 'trace 3 in screen A.
"INIT;*WAI"	'Starts the measurement and waits for the end of the '16 sweeps.

**Characteristics:** \*RST value: WRITe for TRACe1, STATe OFF for TRACe2/3  
SCPI: device-specific

**Mode:** all

**DISPlay[:WINDow<1|2>]:TRACe<1 to 3>[:STATe]** ON | OFF

This command switches on or off the display of the corresponding trace in the selected measurement window.

**Example:** "DISP:WIND1:TRAC3 ON"

**Characteristics:** \*RST value: ON for TRACe1, OFF for TRACe2 to 4  
SCPI: conforming

**Mode:** all

## **FETCh - Subsystem**

The FETCh subsystem contains commands for reading out results of complex measurement tasks like those provided by the GSM/EDGE mode (FS-K5). The FETCh subsystem is closely linked to the functions of the CONFigure and READ subsystems, where the measurement sequences are configured, the measurements are started and their results are queried.

## **FETCh:BURSt - Subsystem**

This subsystem provides the commands for reading out results of measurements in GSM/EDGE (option FS-K5) Analyzer mode, which are performed on individual bursts without starting the measurement by themselves:

- Phase-Frequency Error (PFE)
- Modulation Accuracy (MAC),
- Power vs Time (PVT),

COMMAND	PARAMETERS	UNIT	COMMENT
FETCh			Option FS-K5
:BURSt			
:PERRor			
:RMS			
:AVERage?	--	deg	query only
:MAXimum?	--	deg	query only
:PEAK			
:AVERage?	--	deg	query only
:MAXimum?	--	deg	query only
:FERRor			
:AVERage?	--	Hz	query only
:MAXimum?	--	Hz	query only
:IQOFset			
:AVERage?	--	%	query only
:MAXimum?	--	%	query only
:IQIMbalance			
:AVERage?	--	%	query only
:MAXimum?	--	%	query only
:PTEMplate			
:REFerence?	--	--	query only
:TRGS			
:AVERage?	--	s	query only
:MAXimum?	--	s	query only
:MACCuracy			
:RMS			
:AVERage?	--		query only
:MAXimum?	--		query only
:PEAK			
:AVERage?	--		query only
:MAXimum?	--		query only
:OSUPpress			
:AVERage?	--		query only
:MAXimum?	--		query only
:PERCentile			
:AVERage?	--		query only
:MAXimum?	--		query only
:FREQuency			
:AVERage?	--		query only
:MAXimum?	--		query only
:IQOFset			
:AVERage?	--	%	query only
:MAXimum?	--	%	query only
:IQIMbalance			
:AVERage?	--	%	query only
:MAXimum?	--	%	query only

**FETCh:BURSt:PERRor:RMS:AVERage?**

This command reads out the average of the RMS measurement of the phase error taken over the selected number of bursts.

This command is only available in GSM/EDGE mode (FS-K5) and when measurement of the phase/frequency error is selected (see :CONFIgure:BURSt:PFERror).

**Example:**

"INST MGSM"	'Switches the instrument to GSM/EDGE mode
"CONF:MTYP GMSK"	'Selects the modulations type GMSK
"CONF:BURS:PFER"	'Selects the PFE measurements
"SWE:COUN 20"	'Sets the number of bursts
"INIT:IMM;*WAI"	'Executes the measurement
"FETC:BURS:PERR:RMS:AVER?"	'Queries the result

**Characteristics:** \*RST value: --  
SCPI: device-specific

**Mode:** GSM/EDGE

If no measurement has been performed yet, a query error results.

This command is an event and therefore has no query and no \*RST value .

**FETCh:BURSt:PERRor:RMS:MAXimum?**

This command reads out the maximum of the RMS measurement of the phase error taken over the selected number of bursts.

This command is only available in GSM/EDGE mode (FS-K5 ) and when measurement of the phase/frequency error is selected (see :CONFIgure:BURSt:PFERror).

**Example:**

"INST MGSM"	'Switches the instrument to GSM/EDGE mode
"CONF:MTYP GMSK"	'Selects the modulation type GMSK
"CONF:BURS:PFER"	'Selects the PFE measurements
"SWE:COUN 20"	'Sets the number of bursts
"INIT:IMM;*WAI"	'Executes the measurement
"FETC:BURS:PERR:RMS:MAX?"	'Queries the result

**Characteristics:** \*RST value: --  
SCPI: device-specific

**Mode:** GSM/EDGE

If no measurement has been performed yet, a query error results.

This command is an event and therefore has no query and no \*RST value .

**FETCh:BURSt:PERRor:PEAK:AVERage?**

This command reads out the average of the PEAK measurement of the phase error taken over the selected number of bursts.

This command is only available in GSM/EDGE mode (FS-K5) and when measurement of the phase/frequency error is selected (see :CONFIgure:BURSt:PFERror).

**Example:**

"INST MGSM"	'Switches the instrument to GSM/EDGE mode
"CONF:MTYP GMSK"	'Selects the modulation type GMSK
"CONF:BURS:PFER"	'Selects the PFE measurement
"SWE:COUN 20"	'Sets the number of bursts
"INIT:IMM;*WAI"	'Executes the measurement
"FETC:BURS:PERR:PEAK:AVER?"	'Queries the result

**Characteristics:** \*RST value: --  
 SCPI: device-specific

**Mode:** GSM/EDGE

If no measurement has been performed yet, a query error results.  
 This command is an event and therefore has no query and no \*RST value .

**FETCh:BURSt:PERRor:PEAK:MAXimum?**

This command reads out the maximum of the PEAK measurement of the phase error taken over the selected number of bursts.

This command is only available in GSM/EDGE mode (FS-K5) and when measurement of the phase/frequency error is selected (see :CONFIgure:BURSt:PFERror).

**Example:**

"INST MGSM"	'Switches the instrument to GSM/EDGE mode
"CONF:MTYP GMSK"	'Selects the modulation type GMSK
"CONF:BURS:PFER"	'Selects the PFE measurement
"SWE:COUN 20"	'Sets the number of bursts
"INIT:IMM;*WAI"	'Executes the measurement
"FETC:BURS:PERR:PEAK:MAX?"	'Queries the result

**Characteristics:** \*RST value: --  
 SCPI: device-specific

**Mode:** GSM/EDGE

If no measurement has been performed yet, a query error results.  
 This command is an event and therefore has no query and no \*RST value .

**FETCh:BURSt:FERRor:AVERage?**

This command reads out the average of the frequency error measurement taken over the selected number of bursts.

This command is only available in GSM/EDGE mode (FS-K5) and when measurement of the phase/frequency error is selected (see :CONFigure:BURSt:PFERror).

<b>Example:</b>	"INST MGSM"	'Switches the instrument to GSM/EDGE mode
	"CONF:MTYP GMSK"	'Selects the modulation type GMSK
	"CONF:BURS:PFER"	'Selects the PFE measurement
	"SWE:COUN 20"	'Sets the number of bursts
	"INIT:IMM;*WAI"	'Executes the measurement
	"FETC:BURS:FERR:AVER?"	'Queries the result

**Characteristics:** \*RST value: --  
SCPI: device-specific

**Mode:** GSM/EDGE

If no measurement has been performed yet, a query error results.

This command is an event and therefore has no query and no \*RST value .

**FETCh:BURSt:FERRor:MAXimum?**

This command reads out the maximum of the frequency error measurement taken over the selected number of bursts.

This command is only available in GSM/EDGE mode (FS-K5) and when measurement of the phase/frequency error is selected (see :CONFigure:BURSt:PFERror).

<b>Example:</b>	"INST MGSM"	'Switches the instrument to GSM/EDGE mode
	"CONF:MTYP GMSK"	'Selects the modulation type GMSK
	"CONF:BURS:PFER"	'Selects the PFE measurement
	"SWE:COUN 20"	'Sets the number of bursts
	"INIT:IMM;*WAI"	'Executes the measurement
	"FETC:BURS:FERR:MAX?"	'Queries the result

**Characteristics:** \*RST value: --  
SCPI: device-specific

**Mode:** GSM/EDGE

If no measurement has been performed yet, a query error results.

This command is an event and therefore has no query and no \*RST value .

**FETCh:BURSt:IQOFfset:AVERAge?**

This command reads out the average of the IQ DC offset measurement in % for the selected number of bursts.

It is only available in GSM/EDGE mode (FS-K5) if phase/frequency error (PFE) measurement has been selected (s. CONFigure:BURSt:PFERror).

**Example:**

"INST MGSM"	'Switches the instrument to GSM/EDGE mode
"CONF:MTYP GMSK"	'Selects GMSK modulation
"CONF:BURS:PFER"	'Selects phase/frequency error (PFE) measurement
"SWE:COUN 20"	'Sets the number of bursts
"INIT:IMM;*WAI"	'Executes the measurement
"FETC:BURS:IQOF:AVER?"	Queries the result

**Characteristics:** \*RST value: --  
 SCPI: device-specific

**Mode:** GSM/EDGE

If no measurement has been carried out yet, a query error is indicated. This command is a query and therefore has no \*RST value.

**FETCh:BURSt:IQOFfset:MAXimum?**

This command reads out the maximum of the IQ DC offset measurement in % for the selected number of bursts.

It is only available in GSM/EDGE mode (FS-K5) if phase/frequency error (PFE) measurement has been selected (s. CONFigure:BURSt:PFERror).

**Example:**

"INST MGSM"	'Switches the instrument to GSM/EDGE mode
"CONF:MTYP GMSK"	'Selects GMSK modulation
"CONF:BURS:PFER"	'Selects phase/frequency error (PFE) measurement
"SWE:COUN 20"	'Sets the number of bursts
"INIT:IMM;*WAI"	'Executes the measurement
"FETC:BURS:IQOF:MAX?"	'Queries the result

**Characteristics:** \*RST value: --  
 SCPI: device-specific

**Mode:** GSM/EDGE

If no measurement has been carried out yet, a query error is indicated. This command is a query and therefore has no \*RST value.



**FETCh:BURSt:IQIMbalance:AVERage?**

This command reads out the average of the IQ imbalance measurement in % for the selected number of bursts.

It is only available in GSM/EDGE mode (FS-K5) if phase/frequency error (PFE) measurement has been selected (s. CONFigure:BURSt:PFERror).

<b>Example:</b>	"INST MGSM"	'Switches the instrument to GSM/EDGE mode
	"CONF:MTYP GMSK"	'Selects GMSK modulation
	"CONF:BURS:PFER"	'Selects phase/frequency error (PFE) measurement
	"SWE:COUN 20"	'Sets the number of bursts
	"INIT:IMM;*WAI"	'Executes the measurement
	"FETC:BURS:IQIM:AVER?"	'Queries the result

**Characteristics:** \*RST value: --  
SCPI: device-specific

**Mode:** GSM/EDGE

If no measurement has been carried out yet, a query error is indicated. This command is a query and therefore has no \*RST value.

**FETCh:BURSt:IQIMbalance:MAXimum?**

This command reads out the maximum of the IQ imbalance measurement in % for the selected number of bursts.

It is only available in GSM/EDGE mode (FS-K5) if phase/frequency error (PFE) measurement has been selected (s. CONFigure:BURSt:PFERror).

<b>Example:</b>	"INST MGSM"	'Switches the instrument to GSM/EDGE mode
	"CONF:MTYP GMSK"	'Selects GMSK modulation
	"CONF:BURS:PFER"	'Selects phase/frequency error (PFE) measurement
	"SWE:COUN 20"	'Sets the number of bursts
	"INIT:IMM;*WAI"	'Executes the measurement
	"FETC:BURS:IQIM:MAX?"	'Queries the result

**Characteristics:** \*RST value: --  
SCPI: device-specific

**Mode:** GSM/EDGE

If no measurement has been carried out yet, a query error is indicated. This command is a query and therefore has no \*RST value.

**FETCh:BURSt:PTEMplate:REFerence?**

This command reads out the results of the premeasurement of power vs. time (PVT).

The result is output as a list of partial result strings separated by ',' in the following (ASCII) format:

<Level1>,<Level2>,<RBW>

<Level1>: measured level

<Level2>: level corrected by means of the bandwidth

<RBW>: bandwidth

This command is only available in GSM/EDGE mode (FS-K5) and when measurement of the power vs. time is selected (see :CONFigure:BURSt:PTEMplate).

**Example:**

"INST M GSM"	'Switches the instrument to GSM/EDGE mode
"CONF:MTYP GMSK"	'Selects the modulation type GMSK
"CONF:BURS:PTEM"	'Selects the PVT measurement
"READ:BURS:PTEM:REF?"	'Executes the premeasurement
"FETC:BURS:PTEM:REF?"	'Queries the result

**Result:** 43.2,43.2,1000000

**Characteristics:** \*RST value: --  
 SCPI: device-specific

**Mode:** GSM/EDGE

If no measurement has been performed yet, a query error results.  
 This command is an event and therefore has no query and no \*RST value .

**FETCh:BURSt:PTEMplate:TRGS:AVERage?**

This command reads out the average of the absolute time between external trigger and begin of the first symbol of the trainings sequence (midamble) in s over the selected number of bursts. (TRGS: TRiGger to Start symbol of midamble)

This command is only available in GSM/EDGE mode (FS-K5) and when measurement of the power vs. time is selected (see: CONFigure:BURSt:PTEMplate). In addition FULL BURST (default) or TOP HIGH RESOLUTION must be selected.

(see: CONFigure:BURSt:PTEMplate:SElect)

The GSM Trigger must be set to extern. (see: TRIG:SEQ:SYN:ADJ:EXT)

**Example:**

"INST M GSM"	'Switches the instrument to GSM MS mode
"TRIG:SEQ:SYNC:ADJ:EXT 0S"	'select GSM Trigger extern
"CONF:BURS:PTEM"	'Selects power vs. time (PVT)
"SWE:COUN 20"	'Sets the number of bursts
"INIT:IMM;*WAI"	'Executes the measurement
"FETC:BURS:PTEM:TRGS:AVER?"	'Queries the result

**Characteristics:** \*RST value: --  
 SCPI: device-specific

**Mode:** MS

This command is an event and therefore has no query and no \*RST value .

**FETCh:BURSt:PTEMplate:TRGS:MAXimum?**

This command reads out the maximum of the absolute time between external trigger and begin of the first symbol of the trainings sequence (midamble) in s over the selected number of bursts. (TRGS: TRiGger to Start symbol of midamble)

This command is only available in GSM/EDGE mode (FS-K5) and when measurement of the power vs. time is selected (see: CONFigure:BURSt:PTEMplate). In addition FULL BURST (default) or TOP HIGH RESOLUTION must be selected.

(see: CONFigure:BURSt:PTEMplate:SElect)

The GSM Trigger must be set to extern. (see: TRIG:SEQ:SYN:ADJ:EXT)

**Example:**

"INST MGSM"	'Switches the instrument to GSM MS mode
"TRIG:SEQ:SYNC:ADJ:EXT 0S"	'select GSM Trigger extern
"CONF:BURS:PTEM"	'Selects power vs. time (PVT)
"SWE:COUN 20"	'Sets the number of bursts
"INIT:IMM;*WAI"	'Executes the measurement
"FETC:BURS:PTEM:TRGS:MAX?"	'Queries the result

**Characteristics:** \*RST value: --  
SCPI: device-specific

**Mode:** MS

This command is an event and therefore has no query and no \*RST value .

**FETCh:BURSt:MACCuracy:RMS:AVERAge?**

This command reads out the average of the RGSM/EDGE-measurement of the error vector magnitude taken over the selected number of bursts.

This command is only available with GSM/EDGE Analyzer (option FS-K5) and when measurement of the modulation accuracy is selected (CONFigure:BURSt:MACCuracy[:IMMEDIATE]).

**Example:**

"INST MGSM"	'Switches the instrument to GSM/EDGE mode
"CONF:MTYP EDGE"	'Selects the modulation type EDGE (8PSK)
"CONF:BURS:MACC"	'Selects the MAC measurement
"SWE:COUN 20"	'Sets the number of bursts
"INIT:IMM;*WAI"	'Starts the measurement
"FETC:BURS:MACC:RMS:AVER?"	'Queries the result

**Characteristics:** \*RST value: --  
SCPI: device-specific

**Mode:** GSM/EDGE

If no measurement has been performed yet, a query error results.

This command is an event and therefore has no query and no \*RST value .

**FETCh:BURSt:MACCuracy:RMS:MAXimum?**

This command reads out the maximum of the RMS-measurement of the error vector magnitude taken over the selected number of bursts.

This command is only available with GSM/EDGE Analyzer (option FS-K5) and when measurement of the modulation accuracy is selected (see CONFigure:BURSt:MACCuracy[:IMMEDIATE]).

**Example:**

"INST MGSM"	'Switches the instrument to GSM/EDGE mode
"CONF:MTYP EDGE"	'Selects modulation type EDGE (8PSK)
"CONF:BURS:MACC"	'Selects the MAC measurement
"SWE:COUN 20"	'Sets the number of bursts
"INIT:IMM;*WAI"	'Starts the measurement
"FETC:BURS:MACC:RMS:MAX?"	'Queries the result

**Characteristics:** \*RST value: --  
 SCPI: device-specific

**Mode:** GSM/EDGE

If no measurement has been performed yet, a query error results.  
 This command is an event and therefore has no query and no \*RST value .

**FETCh:BURSt:MACCuracy:PEAK:AVERage?**

This command reads out the average of the PEAK-measurement of the error vector magnitude taken over the selected number of bursts.

This command is only available with GSM/EDGE Analyzer (option FS-K5) and when measurement of the modulation accuracy is selected (see CONFigure:BURSt:MACCuracy[:IMMEDIATE]).

**Example:**

"INST MGSM"	'Switches the instrument to GSM/EDGE mode
"CONF:MTYP EDGE"	'Selects modulation type EDGE (8PSK)
"CONF:BURS:MACC"	'Selects the MAC measurement
"SWE:COUN 20"	'Sets the number of bursts
"INIT:IMM;*WAI"	'Starts the measurement
"FETC:BURS:MACC:PEAK:AVER?"	'Queries the result

**Characteristics:** \*RST value: --  
 SCPI: device-specific

**Mode:** GSM/EDGE

If no measurement has been performed yet, a query error results.  
 This command is an event and therefore has no query and no \*RST value .

**FETCh:BURSt:MACCuracy:PEAK:MAXimum?**

This command reads out the maximum of the PEAK-measurement of the error vector magnitude taken over the selected number of bursts.

This command is only available with GSM/EDGE Analyzer (option FS-K5) and when measurement of the modulation accuracy is selected (see CONFigure:BURSt:MACCuracy[:IMMEDIATE]).

**Example:**

"INST M GSM"	'Switches the instrument to GSM/EDGE mode
"CONF:MTYP EDGE"	'Selects modulation type EDGE (8PSK)
"CONF:BURS:MACC"	'Selects the MAC measurement
"SWE:COUN 20"	'Sets the number of bursts
"INIT:IMM;*WAI"	'Starts the measurement
"FETC:BURS:MACC:PEAK:MAX?"	'Queries the result

**Characteristics:** \*RST value: --  
SCPI: device-specific

**Mode:** GSM/EDGE

If no measurement has been performed yet, a query error results.

This command is an event and therefore has no query and no \*RST value .

**FETCh:BURSt:MACCuracy:OSUPpress:AVERage?**

This command reads out the average of the original offset suppression measurement taken over the selected number of bursts.

This command is only available with GSM/EDGE Analyzer (option FS-K5) and when measurement of the modulation accuracy is selected (see CONFigure:BURSt:MACCuracy[:IMMEDIATE]).

**Example:**

"INST M GSM"	'Switches the instrument to GSM/EDGE mode
"CONF:MTYP EDGE"	'Selects modulation type EDGE (8PSK)
"CONF:BURS:MACC"	'Selects the MAC measurement
"SWE:COUN 20"	'Sets the number of bursts
"INIT:IMM;*WAI"	'Starts the measurement
"FETC:BURS:MACC:OSUP:AVER?"	'Queries the result

**Characteristics:** \*RST value: --  
SCPI: device-specific

**Mode:** GSM/EDGE

If no measurement has been performed yet, a query error results.

This command is an event and therefore has no query and no \*RST value .

**FETCh:BURSt:MACCuracy:OSUPpress:MAXimum?**

This command reads out the maximum of the original offset suppression measurement taken over the selected number of bursts.

This command is only available with GSM/EDGE Analyzer (option FS-K5) and when measurement of the modulation accuracy is selected (see `CONFigure:BURSt:MACCuracy[:IMMEDIATE]`).

**Example:**

"INST MGSM"	'Switches the instrument to GSM/EDGE mode
"CONF:MTYP EDGE"	'Selects modulation type EDGE (8PSK)
"CONF:BURS:MACC"	'Selects the MAC measurement
"SWE:COUN 20"	'Sets the number of bursts
"INIT:IMM;*WAI"	'Starts the measurement
"FETC:BURS:MACC:OSUP:MAX?"	'Queries the result

**Characteristics:** \*RST value: --  
 SCPI: device-specific

**Mode:** GSM/EDGE

If no measurement has been performed yet, a query error results.  
 This command is an event and therefore has no query and no \*RST value .

**FETCh:BURSt:MACCuracy:PERCentile:AVERage?**

This command reads out the average of the 95% percentile measurement taken over the selected number of bursts.

This command is only available with GSM/EDGE Analyzer (option FS-K5) and when measurement of the modulation accuracy is selected (see `CONFigure:BURSt:MACCuracy[:IMMEDIATE]`).

**Example:**

"INST MGSM"	'Switches the instrument to GSM/EDGE mode
"CONF:MTYP EDGE"	'Selects modulation type EDGE (8PSK)
"CONF:BURS:MACC"	'Selects the MAC measurement
"SWE:COUN 20"	'Sets the number of bursts
"INIT:IMM;*WAI"	'Starts the measurement
"FETC:BURS:MACC:PERC:AVER?"	'Queries the result

**Characteristics:** \*RST value: --  
 SCPI: device-specific

**Mode:** GSM/EDGE

If no measurement has been performed yet, a query error results.  
 This command is an event and therefore has no query and no \*RST value .

**FETCh:BURSt:MACCuracy:PERCentile:MAXimum?**

This command reads out the maximum of the 95% percentile measurement taken over the selected number of bursts.

This command is only available with GSM/EDGE Analyzer (option FS-K5) and when measurement of the modulation accuracy is selected (see `CONFigure:BURSt:MACCuracy[:IMMEDIATE]`).

**Example:**

"INST MGSM"	'Switches the instrument to GSM/EDGE mode
"CONF:MTYP EDGE"	'Selects modulation type EDGE (8PSK)
"CONF:BURS:MACC"	'Selects the MAC measurement
"SWE:COUN 20"	'Sets the number of bursts
"INIT:IMM;*WAI"	'Starts the measurement
"FETC:BURS:MACC:PERC:MAX?"	'Queries the result

**Characteristics:** \*RST value: --  
SCPI: device-specific

**Mode:** GSM/EDGE

If no measurement has been performed yet, a query error results.

This command is an event and therefore has no query and no \*RST value .

**FETCh:BURSt:MACCuracy:FREQuency:AVERAge?**

This command reads out the average of the frequency error measurement taken over the selected number of bursts.

This command is only available with GSM/EDGE Analyzer (option FS-K5) and when measurement of the modulation accuracy is selected (see `CONFigure:BURSt:MACCuracy[:IMMEDIATE]`).

**Example:**

"INST MGSM"	'Switches the instrument to GSM/EDGE mode
"CONF:MTYP EDGE"	'Selects modulation type EDGE (8PSK)
"CONF:BURS:MACC"	'Selects the MAC measurement
"SWE:COUN 20"	'Sets the number of bursts
"INIT:IMM;*WAI"	'Starts the measurement
"FETC:BURS:MACC:FREQ:AVER?"	'Queries the result

**Characteristics:** \*RST value: --  
SCPI: device-specific

**Mode:** GSM/EDGE

If no measurement has been performed yet, a query error results.

This command is an event and therefore has no query and no \*RST value .

**FETCh:BURSt:MACCuracy:FREQUency:MAXimum?**

This command reads out the maximum of the frequency error measurement taken over the selected number of bursts.

This command is only available with GSM/EDGE Analyzer (option FS-K5) and when measurement of the modulation accuracy is selected (see `CONFigure:BURSt:MACCuracy[:IMMEDIATE]`).

**Example:**

"INST M GSM"	'Switches the instrument to GSM/EDGE mode
"CONF:MTYP EDGE"	'Selects modulation type EDGE (8PSK)
"CONF:BURS:MACC"	'Selects the MAC measurement
"SWE:COUN 20"	'Sets the number of bursts
"INIT:IMM;*WAI"	'Starts the measurement
"FETC:BURS:MACC:FREQ:MAX?"	'Queries the result

**Characteristics:** \*RST value: --  
SCPI: device-specific

**Mode:** GSM/EDGE

If no measurement has been performed yet, a query error results.

This command is an event and therefore has no query and no \*RST value .

**FETCh:BURSt:MACCuracy:IQOFfset:AVERAge?**

This command reads out the average of the IQ DC offset measurement in % for the selected number of bursts.

It is only available in conjunction with the option GSM/EDGE Analyzer FS-K5 if modulation accuracy measurement has been selected (`CONFigure:BURSt:MACCuracy[:IMMEDIATE]`).

**Example:**

"INST M GSM"	'Switches the instrument to GSM/EDGE mode
"CONF:MTYP EDGE"	'Selects EDGE modulation (8PSK)
"CONF:BURS:MACC"	'Selects modulation accuracy (MAC) measurement
"SWE:COUN 20"	'Sets the number of bursts
"INIT:IMM;*WAI"	'Executes the measurement
"FETC:BURS:MACC:IQOF:AVER?"	'Queries the result

**Characteristics:** \*RST value: --  
SCPI: device-specific

**Mode:** GSM/EDGE

If no measurement has been carried out yet, a query error is indicated.

This command is a query and therefore has no \*RST value.

**FETCh:BURSt:MACCuracy:IQOFfset:MAXimum?**

This command reads out the maximum of the IQ DC offset measurement in % for the selected number of bursts.

It is only available in conjunction with the option GSM/EDGE Analyzer FS-K5 if modulation accuracy measurement has been selected (`CONFigure:BURSt:MACCuracy[:IMMEDIATE]`).

**Example:**

"INST M GSM"	'Switches the instrument to GSM/EDGE mode
"CONF:MTYP EDGE"	'Selects EDGE modulation (8PSK)
"CONF:BURS:MACC"	'Selects modulation accuracy (MAC) measurement
"SWE:COUN 20"	'Sets the number of bursts
"INIT:IMM;*WAI"	'Executes the measurement
"FETC:BURS:MACC:IQOF:MAX?"	'Queries the result



**Characteristics:** \*RST value: --  
SCPI: device-specific

**Mode:** GSM/EDGE

If no measurement has been carried out yet, a query error is indicated.  
This command is a query and therefore has no \*RST value.

#### FETCh:BURSt:MACCuracy:IQIMbalance:AVERage?

This command reads out the average of the IQ imbalance measurement in % for the selected number of bursts.

It is only available in conjunction with the option GSM/EDGE Analyzer FS-K5 if modulation accuracy measurement has been selected (CONFigure:BURSt:MACCuracy[:IMMEDIATE]).

**Example:**

"INST M GSM"	'Switches the instrument to GSM/EDGE mode
"CONF:MTYP EDGE"	'Selects EDGE modulation (8PSK)
"CONF:BURS:MACC"	'Selects modulation accuracy (MAC)
	measurement
"SWE:COUN 20"	'Sets the number of bursts
"INIT:IMM;*WAI"	'Executes the measurement
"FETC:BURS:MACC:IQIM:AVER?"	'Queries the result

**Characteristics:** \*RST value: --  
SCPI: device-specific

**Mode:** GSM/EDGE

If no measurement has been carried out yet, a query error is indicated.  
This command is a query and therefore has no \*RST value.

#### FETCh:BURSt:MACCuracy:IQIMbalance:MAXimum?

This command reads out the maximum of the IQ imbalance measurement in % for the selected number of bursts.

It is only available in conjunction with the option GSM/EDGE Analyzer FS-K5 if modulation accuracy measurement has been selected (CONFigure:BURSt:MACCuracy[:IMMEDIATE]).

**Example:**

"INST M GSM"	'Switches the instrument to GSM/EDGE mode
"CONF:MTYP EDGE"	'Selects EDGE modulation (8PSK)
"CONF:BURS:MACC"	'Selects modulation accuracy (MAC)
	measurement
"SWE:COUN 20"	'Sets the number of bursts
"INIT:IMM;*WAI"	'Executes the measurement
"FETC:BURS:MACC:IQIM:MAX?"	'Queries the result

**Characteristics:** \*RST value: --  
SCPI: device-specific

**Mode:** GSM/EDGE

If no measurement has been carried out yet, a query error is indicated.  
This command is a query and therefore has no \*RST value.

**FETCh:PTEMplate Subsystem**

**Note:** *This subsystem was taken over from application firmware FSE-K10 for reasons of compatibility. It is replaced by the command FETCh:BURSt:PTEMplate:REFErence?. See detailed description at command FETCh:BURSt:PTEMplate:REFErence?.*

COMMAND	PARAMETERS	UNIT	COMMENT
FETCh :PTEMplate :REFErence?	--	--	Option FS-K5  query only

## FETCh:SPECtrum Subsystem

This subsystem provides the commands for reading out results of measurements in the GSM/EDGE (FS-K5) mode, used to measure the power of the spectral contributions due to modulation and switching without first restarting a new measurement.

Spectrum due to modulation(MOD)

Spectrum due to transient (TRA).

COMMAND	PARAMETERS	UNIT	COMMENT
FETCh			Option FS-K5
:SPECtrum			
:MODulation			
[:ALL?]	ARFCn	--	query only
:REFerence?	--	--	query only
:SWITching			
[:ALL?]	--	--	query only

### FETCh:SPECtrum:MODulation[:ALL]? ARFCn

This command reads out the result of the measurement of the modulation spectrum of the mobile.

**Parameter:** ARFCn::= ARFCN  $\pm$  1.8 MHz

The result is output as a list of partial result strings separated by ',' in the following (ASCII) format:

```
<Index>,<Freq1>,<Freq2>,<Level>,<Limit>,<Abs/Rel>,<Status> [,
<Index>,<Freq1>,<Freq2>,<Level>,<Limit>,<Abs/Rel>,<Status>]...
```

where the parts between '['...''] denote a partial result string that can be repeated n times.

<Index>: 0, if the partial result string characterizes a measurement range  
current number <>0,  
if the partial result string characterizes a single  
limit excess.

<Freq1>: Start frequency of the measurement range or  
frequency where the limit line is exceeded

<Freq2>: Start frequency of the measurement range or  
frequency exceeding the measurement range. The value of  
<Freq2> is equal to the value of <Freq1>, if either the  
measurement is performed in the time domain or if the  
partial result string contains a limit excess.

<Level>: Measured maximum level of the partial range or  
measured level at the test point.

<Limit>: Limit in the partial range or at the test point

<Abs/Rel>: ABS <Level> and <Limit> are in absolute units (dBm)  
REL <Level> and <Limit> are in relative units (dB)

<Status>: Result of the limit check in character data form:  
PASSED no limit exceeded  
FAILED limit exceeded  
MARGIN margin exceeded

The frequencies <Freq1> and <Freq2> are always absolute i. e. not referred to the carrier frequency.

This command is only available with GSM/EDGE Analyzer FS-K5 option and when modulation spectrum measurement is selected (see :CONFigure:SPECtrum:MODulation).

**Example:**

"INST M GSM"	'Switches the instrument to GSM/EDGE mode
"CONF:SPEC:MOD"	'Selects the MOD measurement
"READ:SPEC:MOD:REF?"	'Executes the premeasurement and queries the result
"READ:SPEC:MOD?"	'Executes the measurement in the time domain and queries the result
"FETC:SPEC:MOD? ARFCn"	'Queries the result of the measurement in the time domain without starting a new measurement

**Result:** 0,890E6,915E6,-87.4,-108.0,ABS,FAILED,  
 1,893.2E6,893.2E6,-83.2,-108.0,ABS,FAILED,  
 2,895.7E6,895.7E6,-87.4,-108.0,ABS,FAILED

**Characteristics:** \*RST value: --  
 SCPI: device-specific

**Mode:** GSM/EDGE

If no measurement has been performed yet, a query error results.  
 This command is an event and therefore has no query and no \*RST value .

**FETCh:SPECtrum:MODulation:REference?**

This command reads out the results of the premeasurement of modulation due to spectrum measurement.

The result is output as a list of partial result strings separated by ',' in the following (ASCII) format:

<Level1>,<Level2>,<RBW>

<Level1>: measured level

<Level2>: level corrected by means of the bandwidth

<RBW>: bandwidth

This command is only available in GSM/EDGE mode (FS-K5) and when the measurement of the modulation due to spectrum is selected (see :CONFIgure:SPECtrum:MODulation).

**Example:**

"INST M GSM"	'Switches the instrument to GSM/EDGE mode
"CONF:SPEC:MOD"	'Selects the MOD measurement
"READ:SPEC:MOD:REF?"	'Executes the premeasurement and queries the result
"FETC:SPEC:MOD:REF?"	'Queries the result of the premeasurement without starting a new measurement

**Result:** 43.2,43.2,1000000

**Characteristics:** \*RST value: --  
 SCPI: device-specific

**Mode:** GSM/EDGE

If no measurement has been performed yet, a query error results.  
 This command is an event and therefore has no query and no \*RST value .

**FETCh:SPECTrum:SWITching[:ALL]?**

This command reads out the result of the measurement of the transient spectrum of the mobile.

The result is output as a list of partial result strings separated by ',' as for the command FETCh:SPECTrum:MODulation[:ALL]?

This command is only available in GSM/EDGE mode (FS-K5) and when modulation spectrum measurement is selected (see :CONFIgure:SPECTrum:MODulation).

<b>Example:</b>	"INST M GSM"	'Switches the instrument to GSM/EDGE mode
	"CONF:SPEC:SWIT"	'Selects the TRA measurement
	"READ:SPEC:SWIT?"	'Executes the measurement in the time domain and queries the result
	"FETC:SPEC:SWIT?"	'Queries the result without starting a new measurement

<b>Result:</b>	0,833.4E6,833.4E6,37.4,-36.0,ABS,MARGIN,
	1,834.0E6,834.0E6,-35.2,-36.0,ABS,FAILED,
	2,834.6E6,834.6E6,-74.3,-75.0,REL,FAILED
	0,835.0E6,835.0E6,-65,0,-60.0,REL,PASSED

<b>Characteristics:</b>	*RST value: --
	SCPI: device-specific

**Mode:** GSM/EDGE

If no measurement has been performed yet, a query error results.

This command is an event and therefore has no query and no \*RST value .

# FORMat Subsystem

The FORMat subsystem specifies the data format of the data transmitted from and to the instrument.

COMMAND	PARAMETERS	UNIT	COMMENT
FORMat [:DATA] :DEXPort :DSEParator	ASCIi REAL UINT[,<numeric_value>]  POINT COMMA	-	

## FORMat[:DATA] ASCii | REAL| UINT [, 8 | 32]

This command specifies the data format for the data transmitted from the instrument to the control PC.

The format settings below are valid for the binary transmission of trace data(see also TRACE:DATA?):

Mode SPECTRUM:           REAL, 32  
 Mode 3G FDD:            UINT, 8     with bit stream measurement  
                           REAL, 32     otherwise

**Example:**            "FORM REAL, 32"  
                           "FORM ASC"  
                           "FORM UINT, 8"

**Characteristics:** \*RST value:   ASCII  
                           SCPI:           conforming

**Mode:**               all

The data format is either ASCII or one of the formats REAL . ASCII data are transmitted in plain text, separated by commas. REAL data are transmitted as 32-bit IEEE 754 floating-point numbers in the "definite length block format".

The FORMat command is valid for the transmission of trace data. The data format of trace data received by the instrument is automatically recognized, regardless of the format which is programmed.

Format setting for the binary transmission of trace data (see also TRACE:DATA?):

Analyzer mode:    REAL, 32

## FORMat:DEXPort:DSEParator POINT|COMMA

This command defines which decimal separator (decimal point or comma) is to be used for outputting measurement data to the file in ASCII format. Different languages of evaluation programs (e.g. MS-Excel) can thus be supported.

**Example:**            "FORM:DEXP:DSEP POIN           'Sets the decimal point as separator.

**Characteristics:** \*RST value:   -- (factory setting is POINT; \*RST does not affect setting)  
                           SCPI:           device-specific

**Mode:**               all

## HCOPY Subsystem

The HCOpy subsystem controls the output of display information for documentation purposes on output devices or files. The instrument allows two independent printer configurations which can be set separately with the numeric suffix <1|2>.

COMMAND	PARAMETERS	UNIT	COMMENT
HCOPY			
:ABORt	--	--	no query
:CMAp<1 to 26>			
:DEFault<1 2 3>			
:HSL	0..1,0..1,0..1		
:PDEFined	BLACK   BLUE   BROWn   GREen   CYAN   RED   MAGenta   YELLow   WHITe   DGRAY   LGRAY   LBLUe   LGREen   LCYan   LRED   LMAGenta		
:DESTination<1 2>	<string>		no query
:DEVice			
:COLor	<Boolean>		
:LANGuage<1 2>	WMF GDI EWMF BMP		
[:IMMediate<1 2>]	--	--	no query
:ITEM			
:ALL			no query
:WINDow<1 2>			
:TABLE			
:STATe	<Boolean>		
:TEXT	<string>		
:TRACe			
:STATe	<Boolean>		
:PAGE			
:ORientation<1 2>	LANDscape PORTRait		

### HCOPY:ABORt

This command aborts a running hardcopy output.

**Example:** "HCOP : ABOR "

**Characteristics:** \*RST value: -  
SCPI: conforming

**Mode:** all

This command is an event and therefore has no \*RST value and no query.

### HCOPY:CMAp<1 to 26>:DEFault1|2|3

This command resets the colors for a hardcopy to the selected default settings. DEFault1 (SCREEN COLORS, but background white), DEFault2 (OPTIMIZED COLOR SET) and DEFault3 (USER DEFINED). The numeric suffix in CMAP is not significant.

**Example:** "HCOP : CMAP : DEF 2 " 'selects OPTIMIZED COLOR SET for the color settings of a hardcopy.

**Characteristics:** \*RST value: --  
SCPI: conforming

**Modes:** all

This command is an event and therefore has no query and no \*RST value.  
This command is available from firmware version 1.40 or higher.

**HCOPY:CMAP<1 to 26>:HSL <hue>,<sat>,<lum>**

This command defines the color table in USER DEFINED COLORS mode. To each numeric suffix of CMAP is assigned one or several picture elements which can be modified by varying the corresponding color setting. The following assignment applies:

- CMAP1 Background
- CMAP2 Grid
- CMAP3 Function field + status field + data entry text
- CMAP4 Function field LED on
- CMAP5 Function field LED warn
- CMAP6 Enhancement label text
- CMAP7 Status field background
- CMAP8 Trace 1
- CMAP9 Trace 2
- CMAP10 Trace 3
- CMAP11 Marker
- CMAP12 Lines
- CMAP13 Measurement status + Limit check pass
- CMAP14 Limit check fail
- CMAP15 Table + softkey background
- CMAP16 Table + softkey text
- CMAP17 Table selected field text
- CMAP18 Table selected field background
- CMAP19 Table + data entry field opaque titlebar
- CMAP20 Data entry field opaque text
- CMAP21 Data entry field opaque background
- CMAP22 3D shade bright part
- CMAP23 3D shade dark part
- CMAP24 Softkey state on
- CMAP25 Softkey state data entry
- CMAP26 Logo

**Parameter:** hue = tint  
 sat = saturation  
 lum = brightness  
 The value range is 0 to 1 for all parameters

**Example:** "HCOPY:CMAP2:HSL 0.3,0.8,1.0" ' changes the grid color

**Characteristics:** \*RST value: --  
 SCPI: conforming

**Modes:** all

The values set are not changed by \*RST.  
 This command is available from firmware version 1.40 or higher.

**HCOPY:CMAP<1 to 26>:PDEFined** BLACK | BLUE | BROWn | GREen | CYAN | RED | MAGenta |  
 YELLow | WHITe | DGRAY | LGRAY | LBLUe | LGREen | LCYan  
 | LRED | LMAGenta

This command defines the color table in USER DEFINED COLORS using predefined color values. To each numeric suffix of CMAP is assigned one or several picture elements which can be modified by varying the corresponding color setting. The same assignment as for :HCOPY:CMAP<1 to 26>:HSL applies

**Example:** "HCOPY:CMAP2:PDEF GRE"

**Characteristics:** \*RST value: --  
 SCPI: conforming

**Modes:** all

The values set are not changed by \*RST.



**HCOPY:DESTination<1|2>** <string>

This command selects the printer output medium (Disk, Printer or Clipboard) associated with configuration 1 or 2.

**Note:** *The type of instrument is selected with `SYSTEM:COMMunicate:PRINter:SElect`, which will automatically select a default output medium. Therefore the command `HCOPY:DESTination` should always be sent after setting the device type.*

<b>Parameter:</b>	<string>::=	'MMEM'   'SYST:COMM:PRIN'   'SYST:COMM:CLIP'
	'MMEM'	'Directs the hardcopy to a file. Command <code>MMEM:NAME</code> '<file_name>' defines the file name. All formats can be 'selected for <code>HCOPY:DEVICE:LANGuage</code> .
	'SYST:COMM:PRIN'	'Directs the hardcopy to the printer. The printer is 'selected with command <code>SYSTEM:COMMunicate:PRINter:SElect</code> . 'GDI' should be selected for <code>HCOPY:DEVICE:LANGuage</code> .
	'SYST:COMM:CLIP'	'Directs the hardcopy to the clipboard. <code>EWMF</code> should be 'selected for <code>HCOPY:DEVICE:LANGuage</code> .

**Example:** `"SYST:COMM:PRIN:SEL2 'LASER on LPT1'"` 'Selects the printer and output  
'medium for device 2  
`"HCOP:DEST2 'SYST:COMM:PRIN'"` 'Selects the printer interface  
'as device 2.

**Characteristics:** \*RST value: -  
SCPI: conforming

**Mode:** all

This command is an event and therefore has no \*RST value and no query.

**HCOPY:DEVIce:COLor ON|OFF**

This command selects between color and monochrome hardcopy of the screen.

**Example:** `"HCOP:DEV:COL ON"`

**Characteristics:** \*RST value: OFF  
SCPI: conforming

**Mode:** all

**HCOPY:DEVIce:LANGUage<1|2>** GDI | WMF | EWMF | BMP

This command determines the data format of the printout.

**Parameter:** GDI Graphics Device Interface:  
 Default format for the output to a printer configured under Windows. Must be selected for the output to the printer interface (HCOPY:DEVIce 'SYST:COMM:PRIN').  
 Can be used for the output to a file (HCOPY:DEVIce 'SYST:COMM:MMEM'). The printer driver configured under Windows is used in this case and a printer-specific file format is thus generated.

WMF and EWMF WINDOWS Metafile and Enhanced Metafile Format:  
 Data formats for output files which can be integrated in corresponding programs for documentation purposes at a later time. WMF can only be used for output to a file (HCOPY:DEVIce 'SYST:COMM:MMEM') and EWMF also for the output to the clipboard (HCOPY:DEVIce 'SYST:COMM:CLIP').

BMP Bitmap.  
 Data format for output to files only (HCOPY:DEVIce 'SYST:COMM:MMEM').

**Example:** "HCOP:DEV:LANG WMF"

**Characteristics:** \*RST value: -  
 SCPI: conforming

**Mode:** all

**HCOPY[:IMMEdiate<1|2>]**

This command starts a hardcopy output. The numeric suffix selects which printer configuration (1 or 2) is to be used for the hardcopy output. If there is no suffix, configuration 1 is automatically selected.

HCOPY: IMM[ 1 ] 'Starts the hardcopy output to device 1 (default).  
 HCOPY: IMM2 'Starts the output to device 2.

**Example:** "HCOP"

**Characteristics:** \*RST value: -  
 SCPI: conforming

**Mode:** all

This command is an event and therefore has no \*RST value and no query.

**HCOPY:ITEM:ALL**

This command selects the complete screen to be output.

**Example:** "HCOP:ITEM:ALL"

**Characteristics:** \*RST value: OFF  
 SCPI: conforming

**Mode:** all

The hardcopy output is always provided with comments, title, time and date. As an alternative to the whole screen, only traces (commands 'HCOPY:ITEM:WINDow:TRACe: STATe ON') or tables (command 'HCOPY:ITEM:WINDow:TABLE: STATe ON') can be output.

**HCOPY:ITEM:WINDow<1|2>:TABLe:STATe ON | OFF**

This command selects the output of the currently displayed tables.

**Example:** "HCOP:ITEM:WIND:TABL:STAT ON"

**Characteristics:** \*RST value: OFF  
SCPI: device-specific

**Mode:** all

The command `HCOPY:DEVIce:ITEM:WINDow<1|2>:TABLe:STATe OFF` as well as command `HCOPY:DEVIce:ITEM:ALL` enables the output of the whole screen.

**HCOPY:ITEM:WINDow<1|2>:TEXT <string>**

This command defines the comment text for measurement window 1 or 2 for printout, with a maximum of 100 characters; line feed by means of character @).

**Example:** "HCOP:ITEM:WIND2:TEXT `comment`"

**Characteristics:** \*RST value: -  
SCPI: device-specific

**Mode:** all

**HCOPY:ITEM:WINDow<1|2>:TRACe:STATe ON | OFF**

This command selects the output of the currently displayed trace.

**Example:** "HCOP:ITEM:WIND:TRACe:STAT ON"

**Characteristics:** \*RST value: OFF  
SCPI: device-specific

**Mode:** all

The command `HCOPY:ITEM:WINDow<1|2>:TRACe:STATe OFF` as well as command `HCOPY:ITEM:ALL` enables the output of the whole screen.

**HCOPY:PAGE:ORientation<1|2> LANDscape | PORTRait**

The command selects the format of the output (portrait and landscape) (hardcopy unit 1 or 2).

**Note:**

*The command is only available provided that the output device "printer" (HCOP:DEST 'SYST:COMM:PRIN') has been selected.*

**Example:** "HCOP:PAGE:ORI LAND"

**Characteristics:** \*RST value: -  
SCPI: conforming

**Mode:** all

## INITiate Subsystem

The INITiate subsystem is used to control the init-measurement function in the selected measurement window. The measurement windows are assigned to INITiate1 (screen A) and INITiate2 (screen B).

COMMAND	PARAMETERS	UNIT	COMMENT
INITiate<1 2>			
:CONTinuous	<Boolean>	--	
:CONMeas	--	--	no query
[:IMMediate]	--	--	no query
:DISPlay	<Boolean>	--	

### INITiate<1|2>:CONTinuous ON | OFF

This command determines whether the trigger system is continuously initiated (continuous) or performs single measurements (single).

In the spectrum analysis mode, this setting refers to the sweep sequence (switching between continuous/single sweep).

**Example:** "INIT2:CONT OFF" 'Switches the sequence in screen B to single sweep.

"INIT2:CONT ON" 'Switches the sequence to continuous sweep.

**Characteristics:** \*RST value: ON  
SCPI: conforming

**Mode:** all

### INITiate<1|2>:CONMeas

This command continues a stopped measurement at the current position in single sweep mode. The function is useful especially for trace functions MAXHold, MINHold and AVERage if the previous results are not to be cleared with Sweep Count > 0 or Average Count > 0 on restarting the measurement (INIT:IMMediate resets the previous results on restarting the measurement).

The single-sweep mode is automatically switched on. Synchronization to the end of the indicated number of measurements can then be performed with the command \*OPC, \*OPC? or \*WAI. In the continuous-sweep mode, synchronization to the sweep end is not possible since the overall measurement "never" ends.

**Example:** "INIT:CONT OFF" 'Switches to single-sweep mode.  
"DISP:WIND:TRAC:MODE AVER" 'Switches on trace averaging.  
"SWE:COUN 20" 'Setting the sweep counter to 20 sweeps.  
"INIT;\*WAI" 'Starts the measurement and waits for the  
'end of the 20 sweeps.  
"INIT:CONM;\*WAI" 'Continues the measurement (next 20  
'sequences) and waits for the end.

**Characteristics:** \*RST value: -  
SCPI: device-specific

**Mode:** A

This command is an event and therefore has no \*RST value and no query.

**INITiate<1|2>[:IMMediate]**

The command initiates a new sweep in the indicated measurement window.

With Sweep Count > 0 or Average Count > 0, this means a restart of the indicated number of measurements. With trace functions MAXHold, MINHold and AVERage, the previous results are reset on restarting the measurement.

In single sweep mode, synchronization to the end of the indicated number of measurements can be achieved with the command \*OPC, \*OPC? or \*WAI. In continuous-sweep mode, synchronization to the sweep end is not possible since the overall measurement never ends.

**Example:**

"INIT:CONT OFF"	'Switches to single-sweep mode.
"DISP:WIND:TRAC:MODE AVER"	'Switches on trace averaging.
"SWE:COUN 20"	Setting the sweep counter to 20 sweeps.
"INIT;*WAI"	'Starts the measurement and waits for the end of the 20 sweeps.

**Characteristics:** \*RST value: -  
SCPI: conforming

**Mode:** all

This command is an event and therefore has no \*RST value and no query.

**INITiate<1|2>:DISPlay ON | OFF**

This command configures the behavior of the display during a single sweep.

INITiate:DISPlay OFF means that the display is switched off during the measurement,

INITiate:DISPlay ON means that the display is switched on during the measurement.

The numeric suffix of INITiate is irrelevant with this command.

**Example:**

"INIT:CONT OFF"	'Switches to single-sweep mode
"INIT:DISP OFF"	'Sets the display behavior to OFF
"INIT;*WAI"	'Starts the measurement with display switched off.

**Characteristics:** \*RST value: ON  
SCPI: device-specific

**Mode:** A, GSM/EDGE

## INPut Subsystem

The INPut subsystem controls the input characteristics of the RF inputs of the instrument. The measurement windows are assigned to INPut1 (screen A) and INPut2 (screen B).

COMMAND	PARAMETERS	UNIT	COMMENT
INPut<1 2>			
:ATTenuation	<numeric_value>	DB	
:AUTO	<Boolean>	--	
:EATT	<numeric_value>	DB	with option B25 only
:AUTO	<Boolean>	--	with option B25 only
:STATe	<Boolean>	--	with option B25 only
:IMPedance	50   75	OHM	
:GAIN			
:STATe	<Boolean>		

### INPut<1|2>:ATTenuation 0 ... 70dB

This command programs the input attenuator. To protect the input mixer against damage from overloads, the setting 0 dB can be obtained by entering numerals, not by using the command DEC.

The step width is 10 dB without the option electronic attenuator, the range 0 dB to 70 dB. The input attenuation can be set in 5 dB steps between 0 dB and 75 dB with the option electronic attenuator.

In the default state with analyzer mode, the attenuation set on the step attenuator is coupled to the reference level of the instrument. If the attenuation is programmed directly, the coupling to the reference level is switched off.

**Example:** "INP:ATT 40dB" 'Sets the attenuation on the attenuator to 40 dB and switches off the coupling to the reference level.

**Characteristics:** \*RST value: 10 dB (AUTO is set to ON)  
SCPI: conforming

**Mode:** all

### INPut<1|2>:ATTenuation:AUTO ON | OFF

This command automatically couples the input attenuation to the reference level (state ON) or switches the input attenuation to manual entry (state OFF). The minimum input attenuation set with the coupling switched on is 10 dB (with electronic attenuator option: 5 dB).

**Example:** "INP:ATT:AUTO ON" 'Couples the attenuation set on the attenuator to the reference level.

**Characteristics:** \*RST value: ON  
SCPI: conforming

**Mode:** all

**INPut<1|2>:EATT 0 to 30dB**

This command programs the attenuation of the electronic input attenuator. The attenuation can be varied in 5 dB steps from 0 to 30 dB. Other entries are rounded to the next lower integer value. If the attenuation is programmed directly, the coupling to the reference level is switched off.

If the defined reference level cannot be set with the given RF attenuation, this level is adapted to the maximum possible value.

The electronic attenuator is switched off in the default state.

**Example:** "INP:EATT:STAT ON" 'Switches the electronic attenuator into the signal path.  
 "INP:EATT 15dB" 'Sets the attenuation of the electronic attenuator to  
 '15 dB and switches off the coupling to the reference level.

**Characteristics:** \*RST value: 0 dB (state is set to OFF)  
 SCPI: device-specific

**Mode:** all

The command is only available with the electronic attenuator option B25.

**INPut<1|2>:EATT:AUTO ON | OFF**

This command automatically couples the electronic input attenuation to the reference level and the attenuation of the mechanical attenuator (state ON) or switches the input attenuation to manual entry (state OFF).

**Example:** "INP:EATT:STAT ON" 'Switches the electronic attenuator into the signal path.  
 "INP:EATT:AUTO ON" 'Couples the attenuation of the electronic attenuator to  
 'the reference level.

**Characteristics:** \*RST value: ON  
 SCPI: device-specific

**Mode:** all

The command is only available with the electronic attenuator option B25.

**INPut<1|2>:EATT:STATe ON | OFF**

This command switches the electronic input attenuation into the signal path (state ON) or removes it from the signal path (state OFF).

**Example:** "INP:EATT:STAT ON" 'Switches the electronic attenuator into the signal path.

**Characteristics:** \*RST value: OFF  
 SCPI: device-specific

**Mode:** all

The command is only available with the option electronic attenuator B25.

**INPut<1|2>:IMPedance 50 | 75**

This command sets the nominal input impedance of the instrument. The set impedance is taken into account in all level indications of results..

The setting 75  $\Omega$  should be selected, if the 50  $\Omega$  input impedance is transformed to a higher impedance using a 75  $\Omega$  adapter of the RAZ type (= 25  $\Omega$  in series to the input impedance of the instrument). The correction value in this case is 1.76 dB = 10 log ( 75 $\Omega$  / 50 $\Omega$ ).

**Example:** "INP:IMP 75"

**Characteristics:** \*RST value: 50  $\Omega$   
SCPI: conforming

**Mode:** all

**INPut<1|2>:GAIN:STATe ON | OFF**

This command switches on the preamplifier for the instrument. The switchable gain is fixed to 20 dB..

**Example:** "INP:GAIN ON" 'Switches on 20 dB preamplification

**Characteristics:** \*RST value: OFF  
SCPI: conforming

**Modes:** A, GSM/EDGE

The command is only available with the option electronic attenuator B25.



**INPut<1|2>:IQ:BALanced[:STATe] ON | OFF**

This command toggles the baseband inputs between balanced and unbalanced.

ON	Inputs balanced
OFF	Inputs unbalanced

The numeric suffix <1|2> has no meaning with this command.

**Example:** "INP:IQ:BAL ON"

**Features:** \*RST value: OFF  
SCPI: device-specific

**Mode:** IQBB

**INPut<1|2>:IQ:IMPedance LOW | HIGH**

This command selects the impedance of the baseband inputs.

LOW	Input impedance 50 $\Omega$
HIGH	Input impedance 1 k $\Omega$

The numeric suffix <1|2> has no meaning with this command.

**Example:** "INP:IQ:IMP HIGH"

**Features:** \*RST value: LOW  
SCPI: device-specific

**Mode:** IQBB

# INSTRument Subsystem

The INSTRument subsystem selects the operating mode of the unit either via text parameters or fixed numbers.

COMMAND	PARAMETERS	UNIT	COMMENT
INSTRument [:SElect] :NSElect  :COUPle	SANalyzer   ADEMod   MGSM WCDPower   BWCDpower   MWCDpower   BTOoth   BC2K   BDO <numeric_value> NONE   RLEVel   CF_B   CF_A		no query

**INSTRument[:SElect]** SANalyzer | DDEMod | ADEMod | MGSM | WCDPower|BWCDpower | MWCDpower | BC2K| BDO

This command switches between the operating modes by means of text parameters.

**Notes on GSM/EDGE mode:**

- After switchover to the GSM/EDGE mode, a measurement has to be selected by means of a CONFigure command.
- After switchover to the GSM/EDGE mode, the modulation mode (GMSK or EDGE) selected last is active.
- If the analyzer is set to external trigger when the GSM/EDGE mode is activated (by *INST : SEL MGSM*), the 'Extern' GSM trigger is used; if it is set to RF power trigger, the 'RF Power' GSM trigger is used, otherwise the 'IF Power' GSM trigger (default).
- Upon switchover from GSM/EDGE mode to analyzer mode, the GSM/EDGE trigger setting is maintained, i.e. IF power if 'IF Power' was set before, RF power if 'RF Power' was set before, and external trigger if 'Extern' was set before.

<b>Parameter:</b>	SANalyzer:	Spectrum analysis
	ADEMod	FM demodulator
	MGSM:	GSM/EDGE analyzer
	WCDPower   BWCDpower	Wideband Code Domain measurements, base station
	MWCDpower	Wideband Code Domain measurements, mobile station
	BTOoth	BLUETOOTH
	BC2K	cdma2000 measurements, bases tation
	BDO:	Mode1xEV-DO FWD (BTS)
	MDO:	Mode1xEV-DO REV (MS)

**Example:** "INST SAN" 'Switches the instrument to *SPECTRUM*.

**Characteristics:** \*RST value: SANalyzer  
SCPI: conforming

**Note:**

Setting *WCDPower* always switches the operating mode to Continuous Sweep (*INIT : CONT ON*).

**Mode:** all

- Changeover to MWCDpower is only possible with WCDMA FDD BTS (FS-K73) option installed.
- Changeover to ADEMod is only possible with FM Demodulator FS-K7 option installed.
- Changeover to WCDPower and BWCDpower is only possible with WCDMA 3G FDD BTS (FS-K72) option installed.
- Changeover to MWCDpower is only possible with WCDMA 3G FDD UE (FS-K73) option installed.
- Changeover to BTOoth is only possible with BLUETOOTH Analyzer (FS-K8) option installed.
- Changeover to BC2K is only possible with cdma2000 FWD (BTS) R&S FS-K82 option installed.
- Changeover to BDO is only possible with 1xEV-DO FWD (BTS)) R&S FS-K84 option installed.

**INSTRUMENT:NSElect** <numeric value>

This command switches between the operating modes by means of numbers.

<b>Parameter:</b>	1:	Spectrum analysis
	3:	FM demodulator
	5:	GSM/EDGE analyzer
	8:	3G FDD FWD
	9:	3G FDD UE
	8:	3G FDD BTS
	9:	3G FDD UE
	10:	cdma2000 BTS
	12:	BLUETOOTH
	14:	1xEV-DO FWD (BTS)

**Example:** "INST:NSEL 1" 'Switches the instrument to *SPECTRUM*.

**Characteristics:** \*RST value: 1  
SCPI: conforming

**Mode:** all

Changeover to 3 is only possible with FM Demodulator FS-K7 option installed.

Changeover to 5 is only possible with GSM/EDGE Analyzer FS-K5 option installed.

Changeover to 8 is only possible with 3G FDD BTS option installed.

Changeover to 9 is only possible with 3G FDD UE option installed.

Changeover to 10 is only possible with cdma2000 FWD (BTS) R&S FS-K82 option installed.

Changeover to is only possible with option installed. Changeover to 12 is only possible with BLUETOOTH Analyzer option installed.

Changeover to 14 is only possible with 1xEV-DO FWD (BTS) R&S FS-K84 option installed.

**INSTRUMENT:COUPlE** NONE | RLEVeI | CF\_B | CF\_A

In operating mode *SPECTRUM* this command selects the parameter coupling between the two measurement windows screen A and B.

<b>Parameter:</b>	NONE	No coupling. The two measurement windows are operated like two independent "virtual" devices.
	RLEVeI	The reference levels of the two measurement windows are coupled.
	CF_B	The center frequency of screen B is coupled to the frequency of marker 1 in screen A.
	CF_A	The center frequency of screen A is coupled to the frequency of marker 1 in screen B.

**Example:** "INST:COUP NONE" 'Switches off the coupling of measurement windows. This leads to two independent "virtual" devices.

**Characteristics:** \*RST value: NONE  
SCPI: device specific

**Mode:** A

## MMEMory Subsystem

The MMEMory (mass memory) subsystem provides commands which allow for access to the storage media of the instrument and for storing and loading various instrument settings.

The various drives can be addressed via the "mass storage unit specifier" <msus> using the conventional DOS syntax. The internal hard disk is addressed by "D:", the floppy disk drive by "A:".

**Note:** *For reasons of compatibility with the FSE instruments, addressing the hard disk by "C:" is also accepted. Since hard disk "C:" is reserved for instrument software, all read and write operations are rerouted to hard disk "D:" in normal operation (service level 0).*

The file names <file\_name> are indicated as string parameters with the commands being enclosed in quotation marks. They also comply with DOS conventions.

DOS file names consist of max. 8 ASCII characters and an extension of up to three characters separated from the file name by a dot "." Both, the dot and the extension are optional. The dot is not part of the file name. DOS file names do not distinguish between uppercase and lowercase notation. All letters and digits are permitted as well as the special characters "\_", "^", "\$", "~", "!", "#", "%", "&", "-", "{", "}", "(, ")", "@ and ". Reserved file names are CLOCK\$, CON, AUX, COM1 to COM4, LPT1 to LPT3, NUL and PRN.

The two characters "\*" and "?" have the function of so-called "wildcards", i.e., they are variables for selection of several files. The question mark "?" replaces exactly one character, the asterisk means any of the remaining characters in the file name. "\*. \*" thus means all files in a directory.

COMMAND	PARAMETERS	UNIT	COMMENT
MMEemory			
:CATalog?	<string>		
:CDIRectory	<directory_name>	--	
:COPY	<file_name>,<file_name>	--	no query
:DATA	<file_name>[,<block>]	--	
:DElete	<file_name>	--	no query
:INITialize	<msus>	--	no query
:LOAD			
:STATe	1,<file_name>	--	no query
:AUTO	1,<file_name>	--	no query
:MDIRectory	<directory_name>	--	no query
:MOVE	<file_name>,<file_name>	--	no query
:MSIS	<msus>	--	
:NAME	<file_name>	--	
:RDIRectory	<directory_name>	--	no query
:STORE<1 2>			
:STATe	1,<file_name>	--	no query
:TRACe	<numeric_value>,<file_name>		
:CLEar			
:STATe	1,<file_name>	--	no query
:ALL			no query
:SElect			
[:ITEM]			
:HWSettings	<Boolean>		
:TRACe			
[:ACTive]	<Boolean>		
:LINes			
:ALL	<Boolean>		
:SCData	<Boolean>		Tracking generator option
:ALL	--		no query
:NONE	--		no query
:DEFault	--		no query
:COMment	<string>		

**MMEemory:CATalog?** <path>

This command reads the indicated directory. According to DOS convention, wild card characters can be entered in order to query e.g. a list of all files of a certain type.

The path name should be in conformance with DOS conventions and may also include the drive name.

**Parameter:** <path>::= DOS Path name

**Example:** "MMEemory:CAT? 'D:\USER\DATA' 'Returns the contents of the  
'D:\USER\DATA directory  
"MMEemory:CAT? 'D:\USER\DATA\\*.LOG' 'Returns all files in D:\USER\DATA  
'with extension ".LOG"  
"MMEemory:CAT? 'D:\USER\DATA\SPOOL?.WMF' 'Returns all files in D:\USER\DATA whose  
'names start with SPOOL, have 6 letters  
'and the extension ".WMF".

**Response value:** List of file names in the form of strings separated by commas, i.e.  
'SPOOL1.WMF', 'SPOOL2.WMF', 'SPOOL3.WMF'

**Characteristics:** \*RST value: -  
SCPI: conformal

**Operating mode:** all

**MMEemory:CDIRectory** <directory\_name>

This command changes the current directory.

In addition to the path name, the indication of the directory may contain the drive name. The path name complies with the DOS conventions.

**Parameter:** <directory\_name>::= DOS path name

**Example:** "MMEemory:CDIR 'D:\USER\DATA' " 'Returns the list of files in directory  
'D:\USER\DATA.

**Characteristics:** \*RST value: -  
SCPI: conforming

**Mode:** all

**MMEemory:COPY** <file\_source>,<file\_destination>

This command copies the files indicated in <file\_source> to the destination directory indicated with <file\_destination> or to the destination file indicated by <file\_destination> when <file\_source> is just a file.

The indication of the file name may include the path and the drive name. The file names and path information must be in accordance with the DOS conventions.

**Parameter:** <file\_source>,<file\_destination> ::= <file\_name>  
<file\_name> ::= DOS file name

**Example:** "MMEemory:COPY 'D:\USER\DATA\SETUP.CFG', 'A:' "

**Characteristics:** \*RST value: -  
SCPI conforming

**Mode:** all

This command is an event and therefore has no \*RST value and no query.

**MMEMory:DATA** <file\_name>[,<block data>]

This command writes the block data contained in <block> into the file characterized by <file\_name>. The IEC/IEEE-bus delimiter must be set to EOI to obtain error-free data transfer.

The associated query command reads the indicated file from the mass memory and transfers it to the control computer via the IEC/IEEE bus. It should be noted that the buffer memory of the control computer should be large enough to store the file. The setting of the IEC/IEEE-bus delimiter is irrelevant in this case.

The command is useful for reading stored device settings or trace data from the instrument or for transferring them to the instrument.

**Syntax:** MMEMory:DATA <file\_name>,<block data> Data transfer from control computer to instrument.

MMEMory:DATA? <file\_name> Data transfer from instrument to control computer.

<file\_name> selects the file to be transferred.

The binary data block <block> has the following structure:

- it always begins with the character '#',
- followed by a digit for the length of the length information,
- followed by the indicated number of digits as length information (number of bytes) for the binary data themselves,
- finally the binary data with the indicated number of bytes

**Example:** "MMEM:DATA 'TEST01.HCP', #217This is the file"  
 ' means:  
 ' #2: the next 2 characters  
 ' are the length indication  
 ' 17: number of subsequent binary data  
 ' bytes  
 ' This is the file:  
 ' 17 bytes stored as binary data in the  
 ' file TEST01.HCP.

"MMEM:DATA? 'TEST01.HCP' " ' Transfers the file TEST01.HCP from the  
 ' instrument to the control computer.

**Characteristics:** \*RST value: -  
 SCPI: conforming

**Mode:** all

**MMEemory:DELeTe** <file\_name>

This command deletes the indicated files.

The indication of the file name contains the path and, optionally, the drive name. Indication of the path complies with DOS conventions.

**Parameter:** <file\_name> ::= DOS file name

**Example:** "MEM:DEL 'TEST01.HCP' " ' The file TEST01.HCP is deleted.

**Characteristics:** \*RST value: -  
SCPI: conforming

**Mode:** all

This command is an event and therefore has no \*RST value and no query.

**MMEemory:INITialize** <msus>

This command formats the disk in drive A. Formatting deletes all data stored on the floppy disk.

**Parameter:** <msus> ::= 'A.'  
Only drive name A: is accepted.

**Example:** "MEM:INIT 'A:' "

**Characteristics:** \*RST value: -  
SCPI: conforming

**Mode:** all

This command is an event and therefore has no \*RST value and no query.



**MMEMory:LOAD:STATe** 1,<file\_name>

This command loads device settings from files. The contents of the file are loaded and set as the new device state. The device automatically recognizes the files that are required for the whole setup from the list of file extensions:

Contents	Extension
Current setting of measurement hardware and associated title, if indicated	.SET
Activated limit lines	.LIN
Current configuration of general device parameters	.CFG
Configuration for the hardcopy output	.HCS
User-defined color setting	.COL
All defined limit lines	.LIA
Measured data trace 1 to trace 3 screen A	.TR1 to 3
Measured data trace 1 to trace 3 screen B	.TR4 to 6
Tracking generator settings (only with Tracking Generator Option B9 or Ext. Generator Control B10)	.TCi
Setting for source calibration (only with Tracking Generator Option B9 or Ext. Generator Control B10)	.TS1 .TS2
Correction data for source calibration (only with Tracking Generator Option B9 or Ext. Generator Control B10)	.TC1 .TC2
Activated transducer factors	.TF

The file name includes indication of the path and may also include the drive name. The path name complies with DOS conventions.

**Parameter:** <file\_name> ::= DOS file name without extension, extensions see table

**Example:** "MMEM:LOAD:STAT 1, 'A:TEST' "

**Characteristics:** \*RST value: -  
SCPI: conforming

**Mode:** all

This command is an event and therefore has no \*RST value and no query.

**MMEMory:LOAD:AUTO** 1,<file\_name>

This command defines which device setting is automatically loaded after the device is switched on. The contents of the file are read after switching on the device and used to define the new device state. The file name includes indication of the path and may also include the drive. The path name complies with DOS conventions.

**Note:** The data set defined as auto recall set will also be restored by a \*RST-command.

**Parameter:** <file\_name> ::= DOS file name without extension;  
FACTORY denotes the data set previously in the instrument

**Example:** "MMEM:LOAD:AUTO 1, 'D:\USER\DATA\TEST' "

**Characteristics:** \*RST value: FACTORY  
SCPI: device-specific

**Mode:** all

This command is an event and therefore has no \*RST value and no query.

**MMEMory:MDIRectory** <directory\_name>

This command creates a new directory. The file name includes indication of the path and may also include the drive name. The path name complies with DOS conventions.

**Parameter:** <directory\_name>::= DOS path name

**Example:** "MMEM:MDIR 'D:\USER\DATA' "

**Characteristics:** \*RST value: -  
SCPI: device-specific

**Mode:** all

This command is an event and therefore has no \*RST value and no query.

**MMEMory:MOVE** <file\_source>,<file\_destination>

This command renames existing files, if <file\_destination> contains no path indication. Otherwise the file is moved to the indicated path and stored under the file name specified there, if any.

The file name includes indication of the path and may also include the drive. The path name complies with DOS conventions.

**Parameter:** <file\_source>,<file\_destination> ::= <file\_name>  
<file\_name> ::= DOS file name

**Example:** "MMEM:MOVE 'D:\TEST01.CFG', 'SETUP.CFG' "  
' Renames TEST01.CFG in SETUP.CFG  
' in directory D:\.

"MMEM:MOVE 'D:\TEST01.CFG', 'D:\USER\DATA' "  
' Moves TEST01.CFG from D:\ to  
' D:\USER\DATA.

"MMEM:MOVE 'D:\TEST01.CFG', 'D:\USER\DATA\SETUP.CFG' "  
' Moves TEST01.CFG from D:\ to  
' D:\USER\DATA and renames the file in  
' SETUP.CFG.

**Characteristics:** \*RST value: -  
SCPI: conforming

**Mode:** all

This command is an event and therefore has no \*RST value and no query.

**MMEMemory:MSIS** <device>

This command changes to the drive indicated. The drive may be the internal hard disk D: or the floppy disk drive A:.

**Example:** "MMEMemory:MSIS 'A:' "

**Characteristics:** \*RST value: "D:"  
SCPI: conforming

**Mode:** all

**MMEMemory:NAME** <file\_name>

This command defines a destination file for the printout started with the command `HCOPY:IMMEDIATE`. In this case the printer output must be routed to destination *FILE* using the command `"HCOP:DEST 'MMEMemory'"`.

The file name includes indication of the path and may also include the drive name. The file name and path information comply with DOS conventions.

**Parameter:** <file\_name> ::= DOS file name

**Example:** "HCOP:DEV:LANG BMP" Selection of data format.  
"HCOP:DEST 'MMEMemory'" Selection of the output device  
"MMEMemory:NAME 'PRINT1.BMP'" Selection of file name.  
"HCOP:IMM" Start of the printout.

**Characteristics:** \*RST value: -  
SCPI: conforming

**Mode:** all

This command is an event and therefore has no \*RST value and no query.

**MMEMemory:RDIRECTORY** <directory\_name>

This command deletes the indicated directory. The directory name includes indication of the path and may also include the drive name. The path name complies with DOS conventions.

**Parameter:** <directory\_name> ::= DOS path name

**Example:** "MMEMemory:RDIR 'D:\TEST'"

**Characteristics:** \*RST value: -  
SCPI: device-specific

**Mode:** all

This command is an event and therefore has no \*RST value and no query.

**MMEMemory:STORE<1|2>:STATE** 1,<file\_name>

This command stores the current device settings in a series of files which have the indicated file name, but different extensions. The file name includes indication of the path and may also include the drive name. The path name complies with DOS conventions. The numeric suffix in `STORE<1|2>` is irrelevant with this command.

A list of the extensions used is contained under `MMEMemory:LOAD:STATE`.

**Parameter:** <file\_name> := DOS file name without extension

**Example:** "MMEMemory:STOR:STAT 1, 'TEST'"

**Characteristics:** \*RST value: -  
SCPI: conforming

**Mode:** all

This command is an event and therefore has no \*RST value and no query.

**MMEMory:STORe<1|2>:TRACe** 1 to 3,<file\_name>

This command stores the selected trace (1 to 3) in the measurement window indicated by STORe<1|2> (screen A or B) in a file with ASCII format. The file format is described in chapter 4 in the TRACE menu under the *ASCII-FILE EXPORT* softkey.

The decimal separator (decimal point or comma) for floating-point numerals contained in the file is defined with the command *FORMat:DEXPort:DSEPARATOR*.

The file name includes indication of the path and the drive name. Indication of the path complies with DOS conventions.

**Parameter:** 1 to 3 := selected measurement curve Trace 1 to 3  
<file\_name> := DOS file name

**Example:** "MMEM:STOR2:TRAC 3, 'A:\TEST.ASC' "  
' Stores trace 3 from screen B in the file  
'TEST.ASC on a disk.

**Characteristics:** \*RST value: -  
SCPI: device-specific

**Mode:** all

This command is an event and therefore has no \*RST value and no query.

**MMEMory:CLEAr:STATe** 1,<file\_name>

This command deletes the instrument setting selected by <file\_name>. All associated files on the mass memory storage are cleared. A list of the extensions used is included under *MMEMory:LOAD:STATE*.

The file name includes indication of the path and may also include the drive. The path name complies with DOS conventions.

**Parameter:** <file\_name> ::= DOS file name without extension

**Example:** "MMEM:CLE:STAT 1, 'TEST' "

**Characteristics:** \*RST value: -  
SCPI: device-specific

**Mode:** all

This command is an event and therefore has no \*RST value and no query.

**MMEMory:CLEAr:ALL**

This command deletes all device settings in the current directory. The current directory can be selected with *MMEM:CDIR*. The default directory is D:.

**Example:** "MMEM:CLE:ALL "

**Characteristics:** \*RST value: -  
SCPI: device-specific

**Mode:** all

This command is an event and therefore has no \*RST value and no query.

**MMEMory:SELEct[:ITEM]:HWSettings** ON | OFF

This command includes the hardware settings in the list of data subsets of a device setting to be stored/loaded. The hardware settings include:

- current configuration of general device parameters (general setup)
- current setting of the measurement hardware including markers
- activated limit lines:

A data set may include 8 limit lines at maximum in each measurement window. This number includes the activated limit lines and, if available, the de-activated limit lines last used.

Therefore the combination of the non-activated restored limit lines depends on the sequence of use with the command `MMEM:LOAD`.

- user-defined color setting
- configuration for the hardcopy output
- Tracking generator settings  
(only in conjunction with option Tracking Generator B9 or External Generator Control B10)
- Correction data for source calibration  
(only in conjunction with option Tracking Generator B9 or External Generator Control B10)

**Example:** `"MMEM:SEL:HWS ON"`

**Characteristics:** \*RST value: ON  
SCPI: device-specific

**Mode:** all

#### **MMEMory:SElect[:ITEM]:TRACe[:ACTive] ON | OFF**

This command adds the active traces to the list of data subsets of a save/recall device setting. Active traces are all traces whose state is not blank.

**Example:** `"MMEM:SEL:TRAC ON"`

**Characteristics:** \*RST value: OFF, i.e. no traces will be stored  
SCPI: device-specific

**Mode:** all

#### **MMEMory:SElect[:ITEM]:LINes:ALL ON | OFF**

This command adds all limit lines (activated and de-activated) to the list of device settings to be stored/loaded.

**Example:** `"MMEM:SEL:LIN:ALL ON"`

**Characteristics:** \*RST value: ON  
SCPI: device-specific

**Mode:** all

#### **MMEMory:SElect[:ITEM]:SCData ON | OFF**

This command adds the tracking generator calibration data to the list of device settings to be stored/loaded.

**Example:** `"MMEM:SEL:SCD ON"` 'Inserts the tracking generator correction data  
'in the list of data subsets

**Characteristics:** \*RST value: OFF  
SCPI: device-specific

**Modes:** all

This command is only available in conjunction with the tracking generator option B9 or external generator control option B10. This command is only available in conjunction with option external generator control B10. This command is available from firmware version 1.40 or higher.

#### **MMEMory:SElect[:ITEM]:TRANsducer:ALL ON | OFF**

This command includes all transducer factors and sets in the list of data subsets of a device setting to be stored/loaded.

**Example:** `"MMEM:SEL:TRAN:ALL ON"`

**Characteristics:** \*RST value: ON  
SCPI: device-specific

**Modes:** all

This command is available from firmware version 1.40 or higher.

**MMEMory:SElect[:ITEM]:ALL**

This command includes all data subsets in the list device settings to be stored/loaded.

**Example:** "MMEM:SEL:ALL"

**Characteristics:** \*RST value: --  
SCPI: device-specific

**Mode:** all

This command is an event and therefore has no \*RST value.

**MMEMory:SElect[:ITEM]:NONE**

This command deletes all data subsets from the list of device settings to be stored/loaded.

**Example:** "MMEM:SEL:NONE"

**Characteristics:** \*RST value: --  
SCPI: device-specific

**Mode:** all

This command is an event and therefore has no \*RST value.

**MMEMory:SElect[:ITEM]:DEFault**

This command sets the default list of device settings to be stored/loaded. The latter includes:

- current configuration of general device parameters (general setup)
- current setting of the measurement hardware including markers
- activated limit lines
- user-defined color setting
- configuration for the hardcopy output
- Tracking generator settings  
(only in conjunction with option Tracking Generator B9 or External Generator Control B10)
- Correction data for source calibration  
(only in conjunction with option Tracking Generator B9 or External Generator Control B10)

Trace data and non-used limit lines are not included.

**Example:** "MMEM:SEL:DEFault"

**Characteristics:** \*RST value: --  
SCPI: device-specific

**Mode:** all

This command is an event and therefore has no \*RST value.

**MMEMory:COMMeNT <string>**

This command defines a comment ( max. 60 characters) for a device setting to be stored.

**Example:** "MMEM:COMM 'Setup for GSM measurement'"

**Characteristics:** \*RST value: blank comment  
SCPI: device-specific

**Mode:** all

## OUTPut Subsystem

The OUTPut subsystem controls the output features of the instrument.

In conjunction with the tracking generator option, a distinction is made between OUTPut1 (screen A) and OUTPut2 (screen B).

COMMAND	PARAMETERS	UNIT	COMMENT
OUTPut<1 2> [:STATe] :UPORt [:VALue] :STATe	<binary> <Boolean>	-- -- --	Tracking generator option

### OUTPut<1|2>[:STATe] ON | OFF

This command switches the tracking generator on or off.

- Notes:**
- *With the tracking generator switched on, the maximum stop frequency is limited to 3 GHz. This upper limit is automatically modified by the set frequency offset of the generator.*
  - *If measurements in compliance with specs are to be performed with the tracking generator, the start frequency has to be  $\geq 3 \times$  resolution bandwidth.*
  - *The minimum sweep time for measurements in compliance with the data sheet is 100 ms in the frequency domain (span >0). If a shorter sweep time is selected, the sweep time indicator SWT on the screen is marked with a red asterisk and the message UNCAL is also displayed.*
  - *With the tracking generator switched on, the FFT filters (BAND:MODE:FFT) are not available.*

**Example:**           "OUTP ON"       'Switches on the tracking generator in screen A.

**Characteristics:** \*RST value: -  
SCPI:               conforming

**Modes:**            A

This command is only valid in conjunction with option tracking generator.





## READ: BURSt - Subsystem

This subsystem provides the commands for starting measurements in the GSM/EDGE Analyzer mode (option FS-K5), which are performed on individual bursts and for reading out the results subsequently:

- Phase-Frequency Error (PFE)
- Modulation Accuracy (MAC)
- Power vs. Time (PVT)

COMMAND	PARAMETERS	UNIT	COMMENT
READ			Option FS-K5
:BURSt			
:PERRor			
:RMS			
:AVERage?	--	deg	query only
:MAXimum?	--	deg	query only
:PEAK			
:AVERage?	--	deg	query only
:MAXimum?	--	deg	query only
:FERRor			
:AVERage?	--	Hz	query only
:MAXimum?	--	Hz	query only
:IQOFfset			
:AVERage?	--	%	query only
:MAXimum?	--	%	query only
:IQIMbalance			
:AVERage?	--	%	query only
:MAXimum?	--	%	query only
:PTEMplate			
:REFerence			
[:IMMediate?]	--	--	query only
:REFerence			
[:IMMediate?]	--	--	query only
:MACCuracy			
:RMS			
:AVERage?	--	%	query only
:MAXimum?	--	%	query only
:PEAK			
:AVERage?	--	%	query only
:MAXimum?	--	%	query only
:OSUPpress			
:AVERage?	--	dB	query only
:MAXimum?	--	dB	query only
:PERCentile			
:AVERage?	--	%	query only
:MAXimum?	--	%	query only
:FREQUency			
:AVERage?	--	Hz	query only
:MAXimum?	--	Hz	query only
:IQOFfset			
:AVERage?	--	%	query only
:MAXimum?	--	%	query only
:IQIMbalance			
:AVERage?	--	%	query only
:MAXimum?	--	%	query only

**READ:BURSt:PERRor:RMS:AVERage?**

This command starts the measurement of the phase and frequency error (PFE) of the mobile and reads out the average of the RMS measurement of the phase error taken over the selected number of bursts.

When the measurement is started the analyzer is automatically set to single sweep.

Further results of the PFE measurement can then be queried without restart of the measurement via the :FETCh:BURSt subsystem.

An ongoing measurement can be aborted via the command ABORt .

This command is only available in GSM/EDGE mode (FS-K5) and when measurement of the phase/frequency error is selected (see :CONFIgure:BURSt:PFERror).

<b>Example:</b>	"INST MGSM"	'Switches the instrument to GSM/EDGE mode
	"CONF:MTYP GMSK"	'Selects modulation type GMSK
	"CONF:BURS:PFER"	'Selects the PFE measurement
	"SWE:COUN 20"	'Sets the number of bursts
	"READ:BURS:PERR:RMS:AVER?"	'Executes the measurement and queries the result

**Characteristics:** \*RST value: --  
 SCPI: device-specific

**Mode:** GSM/EDGE

This command is an event and therefore has no query and no \*RST value .

**READ:BURSt:PERRor:RMS:MAXimum?**

This command starts the measurement of the phase and frequency error (PFE) of the mobile and reads out the maximum of the RMS measurement of the phase error taken over the selected number of bursts.

When the measurement is started the analyzer is automatically set to single sweep.

Further results of the PFE measurement can then be queried without restart of the measurement via the :FETCh:BURSt subsystem.

An ongoing measurement can be aborted via the command ABORt .

This command is only available in GSM/EDGE mode (FS-K5) and when measurement of the phase/frequency error is selected (see :CONFIgure:BURSt:PFERror).

<b>Example:</b>	"INST MGSM"	'Switches the instrument to GSM/EDGE mode
	"CONF:MTYP GMSK"	'Selects modulation type GMSK
	"CONF:BURS:PFER"	'Selects the PFE measurement
	"SWE:COUN 20"	'Sets the number of bursts
	"READ:BURS:PERR:RMS:MAX?"	'Executes the measurement and queries the result

**Characteristics:** \*RST value: --  
 SCPI: device-specific

**Mode:** GSM/EDGE

This command is an event and therefore has no query and no \*RST value .

**READ:BURSt:PERRor:PEAK:AVERAge?**

This command starts the measurement of the phase and frequency error (PFE) of the mobile and reads out the average of the PEAK measurement of the phase error taken over the selected number of bursts.

When the measurement is started the analyzer is automatically set to single sweep.

Further results of the PFE measurement can then be queried without restart of the measurement via the :FETCh:BURSt subsystem.

An ongoing measurement can be aborted via the command ABORt .

This command is only available in GSM/EDGE mode (FS-K5) and when measurement of the phase/frequency error is selected (see :CONFIgure:BURSt:PFERror) .

<b>Example:</b>	"INST MGSM"	'Switches the instrument to GSM/EDGE mode
	"CONF:MTYP GMSK"	'Selects modulation type GMSK
	"CONF:BURS:PFER"	'Selects the PFE measurement
	"SWE:COUN 20"	'Sets the number of bursts
	"READ:BURS:PERR:PEAK:AVER?"	'Executes the measurement and queries the result

<b>Characteristics:</b>	*RST value:	--
	SCPI:	device-specific

**Mode:** GSM/EDGE

This command is an event and therefore has no query and no \*RST value .

**READ:BURSt:PERRor:PEAK:MAXimum?**

This command starts the measurement of the phase and frequency error (PFE) of the mobile and reads out the maximum of the PEAK-measurement of the phase error taken over the selected number of bursts.

When the measurement is started the analyzer automatically is set to single sweep.

Further results of the PFE measurement can be then queried without restart of the measurement via the :FETCh:BURSt subsystem.

An ongoing measurement can be aborted via the command ABORt .

This command is only available in GSM/EDGE mode (FS-K5) and when measurement of the phase/frequency error is selected (see :CONFIgure:BURSt:PFERror

<b>Example:</b>	"INST MGSM"	'Switches the instrument to GSM/EDGE mode
	"CONF:MTYP GMSK"	'Selects modulation type GMSK
	"CONF:BURS:PFER"	'Selects the PFE measurement
	"SWE:COUN 20"	'Sets the number of bursts
	"READ:BURS:PERR:PEAK:MAX?"	'Executes the measurement and queries the result

<b>Characteristics:</b>	*RST value:	--
	SCPI:	device-specific

**Mode:** GSM/EDGE

This command is an event and therefore has no query and no \*RST value .

**READ:BURSt:FERRor:AVERage?**

This command starts the measurement of the phase and frequency error (PFE) of the mobile and reads out the average of the measurement of the frequency error taken over the selected number of bursts.

When the measurement is started the analyzer is automatically set to single sweep.

Further results of the PFE measurement can then be queried without restart of the measurement via the :FETCh:BURSt subsystem.

An ongoing measurement can be aborted via the command ABORt .

This command is only available in GSM/EDGE mode (FS-K5) and when measurement of the phase/frequency error is selected (see :CONFIgure:BURSt:PFERror) .

<b>Example:</b>	"INST MGSM"	'Switches the instrument to GSM/EDGE mode
	"CONF:MTYP GMSK"	'Selects modulation type GMSK
	"CONF:BURS:PFER"	'Selects the PFE measurement
	"SWE:COUN 20"	'Sets the number of bursts
	"READ:BURS:FERR:AVER?"	'Executes the measurement and queries the result

**Characteristics:** \*RST value: --  
 SCPI: device-specific

**Mode:** GSM/EDGE

This command is an event and therefore has no query and no \*RST value .

**READ:BURSt:FERRor:MAXimum?**

This command starts the measurement of the phase and frequency error (PFE) of the mobile and reads out the average of the measurement of the frequency error taken over the selected number of bursts.

When the measurement is started the analyzer is automatically set to single sweep.

Further results of the PFE measurement can then be queried without restart of the measurement via the :FETCh:BURSt subsystem.

An ongoing measurement can be aborted via the command ABORt .

This command is only available in GSM/EDGE mode (FS-K5) and when measurement of the phase/frequency error is selected (see :CONFIgure:BURSt:PFERror) .

<b>Example:</b>	"INST MGSM"	'Switches the instrument to GSM/EDGE mode
	"CONF:MTYP GMSK"	'Selects modulation type GMSK
	"CONF:BURS:PFER"	'Selects the PFE measurement
	"SWE:COUN 20"	'Sets the number of bursts
	"READ:BURS:FERR:MAX?"	'Executes the measurement and queries the result

**Characteristics:** \*RST value: --  
 SCPI: device-specific

**Mode:** GSM/EDGE

This command is an event and therefore has no query and no \*RST value .

**READ:BURSt:IQOffset:AVERage?**

This command triggers the measurement of the phase/frequency error (PFE) of the mobile and reads out the average of the IQ DC offset measurement in % for the selected number of bursts. The start of the measurement automatically activates the single sweep mode. Further results of the PFE measurement can then be queried via the `FETCh:BURSt` subsystem without restarting the measurement.

An ongoing measurement can be aborted by means of the `ABORt` command.

This command is only available in GSM/EDGE mode (FS-K5) if phase/frequency error (PFE) measurement has been selected (s. `CONFIgure:BURSt:PFERror`).

<b>Example:</b>	"INST MGSM"	'Switches the instrument to GSM/EDGE mode
	"CONF:MTYP GMSK"	'Selects GMSK modulation
	"CONF:BURS:PFER"	'Selects phase/frequency error (PFE) measurement
	"SWE:COUN 20"	'Sets the number of bursts
	"READ:BURS:IQOF:AVER?"	Executes the measurement and queries the result

**Characteristics:** \*RST value: --  
SCPI: device-specific

**Mode:** GSM/EDGE

If no measurement has been carried out yet, a query error is indicated.  
This command is a query and therefore has no \*RST value.

**READ:BURSt:IQOffset:MAXimum?**

This command triggers the measurement of the phase/frequency error (PFE) of the mobile and reads out the maximum of the IQ DC offset measurement in % for the selected number of bursts. The start of the measurement automatically activates the single sweep mode. Further results of the PFE measurement can then be queried via the `FETCh:BURSt` subsystem without restarting the measurement.

An ongoing measurement can be aborted by means of the `ABORt` command.

This command is only available in GSM/EDGE mode (FS-K5) if phase/frequency error (PFE) measurement has been selected (s. `CONFIgure:BURSt:PFERror`).

<b>Example:</b>	"INST MGSM"	'Switches the instrument to GSM/EDGE mode
	"CONF:MTYP GMSK"	'Selects GMSK modulation
	"CONF:BURS:PFER"	'Selects phase/frequency error (PFE) measurement
	"SWE:COUN 20"	'Sets the number of bursts
	"READ:BURS:IQOF:MAX?"	Executes the measurement and queries the result

**Characteristics:** \*RST value: --  
SCPI: device-specific

**Mode:** GSM/EDGE

If no measurement has been carried out yet, a query error is indicated.  
This command is a query and therefore has no \*RST value.

**READ:BURSt:IQIMbalance:AVERAge?**

This command triggers the measurement of the phase/frequency error (PFE) of the mobile and reads out the average of the IQ imbalance measurement in % for the selected number of bursts. The start of the measurement automatically activates the single sweep mode. Further results of the PFE measurement can then be queried via the `FETCH:BURSt` subsystem without restarting the measurement.

An ongoing measurement can be aborted by means of the `ABORT` command.

This command is only available in GSM/EDGE mode (FS-K5) if phase/frequency error (PFE) measurement has been selected (s. `CONFigure:BURSt:PFERror`).

<b>Example:</b>	"INST MGSM"	'Switches the instrument to GSM/EDGE mode
	"CONF:MTYP GMSK"	'Selects GMSK modulation
	"CONF:BURS:PFER"	'Selects phase/frequency error (PFE) measurement
	"SWE:COUN 20"	'Sets the number of bursts
	"READ:BURS:IQIM:AVER?"	Executes the measurement and queries the result

**Characteristics:** \*RST value: --  
 SCPI: device-specific

**Mode:** GSM/EDGE

If no measurement has been carried out yet, a query error is indicated. This command is a query and therefore has no \*RST value.

**READ:BURSt:IQIMbalance:MAXimum?**

This command triggers the measurement of the phase/frequency error (PFE) of the mobile and reads out the maximum of the IQ imbalance measurement in % for the selected number of bursts. The start of the measurement automatically activates the single sweep mode. Further results of the PFE measurement can then be queried via the `FETCH:BURSt` subsystem without restarting the measurement.

An ongoing measurement can be aborted by means of the `ABORT` command.

This command is only available in GSM/EDGE mode (FS-K5) if phase/frequency error (PFE) measurement has been selected (s. `CONFigure:BURSt:PFERror`).

<b>Example:</b>	"INST MGSM"	'Switches the instrument to GSM/EDGE mode
	"CONF:MTYP GMSK"	'Selects GMSK modulation
	"CONF:BURS:PFER"	'Selects phase/frequency error (PFE) measurement
	"SWE:COUN 20"	'Sets the number of bursts
	"READ:BURS:IQIM:MAX?"	'Executes the measurement and queries the result

**Characteristics:** \*RST value: --  
 SCPI: device-specific

**Mode:** GSM/EDGE

If no measurement has been carried out yet, a query error is indicated. This command is a query and therefore has no \*RST value.

**READ:BURSt:PTEMplate:REFerence[:IMMediate]?**

This command starts the premeasurement of power vs. time and reads out the results.

The result is output as a list of partial result strings separated by ',' in the following (ASCII) format:

<Level1>,<Level2>,<RBW>

<Level1>: measured level

<Level2>: level corrected by means of the bandwidth

<RBW>: bandwidth

This command is only available in GSM/EDGE mode (FS-K5) and when measurement of the power vs. time is selected (see :CONFigure:BURSt:PTEMplate).

**Example:**

"INST MGSM"	Switches the instrument to GSM/EDGE mode
"CONF:MTYP GMSK"	Selects modulation type GMSK
"CONF:BURS:PTEM"	Selects the PVT measurement
"READ:BURS:PTEM:REF?"	Executes the measurement and queries the result
Result: 43.2,43.2,600000	

**Features:**

*RST value:	--
SCPI:	device-specific

**Mode:** GSM/EDGE

This command is an event and is therefore not assigned a query and has no \*RST value.

**READ:BURSt:PTEMplate:TRGS:AVERage?**

This command starts the measurement of Power vs Time (PVT) of the base station or mobile and reads out the average of the absolute time between external trigger and begin of the first symbol of the trainings sequence (midamble) in s over the selected number of bursts.

(TRGS: TRiGger to Start symbol of midamble)

This command is only available in GSM/EDGE mode (FS-K5) and when measurement of the power vs. time is selected (see: CONFigure:BURSt:PTEMplate). In addition FULL BURST (default) or TOP HIGH RESOLUTION must be selected.

(see: CONFigure:BURSt:PTEMplate:SElect)

The GSM Trigger must be set to extern. (see: TRIG:SEQ:SYN:ADJ:EXT)

**Example:**

"INST MGSM"	'Switches the instrument to GSM MS mode
"TRIG:SEQ:SYNC:ADJ:EXT 0S"	'select GSM Trigger extern
"CONF:BURS:PTEM"	'Selects power vs. time (PVT)
"SWE:COUN 20"	'Sets the number of bursts
"READ:BURS:PTEM:TRGS:AVER?"	'Executes the measurement and queries the result

**Characteristics:**

*RST value:	--
SCPI:	device-specific

**Mode:** MS

This command is an event and therefore has no query and no \*RST value .

**READ:BURSt:PTEMplate:TRGS:MAXimum?**

This command starts the measurement of Power vs Time (PVT) of the base station or mobile and reads out the maximum of the absolute time between external trigger and begin of the first symbol of the trainings sequence (midamble) in s over the selected number of bursts.

(TRGS: TRiGger to Start symbol of midamble)

This command is only available in GSM/EDGE mode (FS-K5) and when measurement of the power vs. time is selected (see: CONFIgure: BURSt: PTEMplate). In addition FULL BURST (default) or TOP HIGH RESOLUTION must be selected.

(see: CONFIgure: BURSt: PTEMplate: SElect)

The GSM Trigger must be set to extern. (see: TRIG: SEQ: SYN: ADJ: EXT)

**Example:**

"INST MGSM"	'Switches the instrument to GSM MS mode
"TRIG: SEQ: SYNC: ADJ: EXT 0S"	'select GSM Trigger extern
"CONF: BURS: PTEM"	'Selects power vs. time (PVT)
"SWE: COUN 20"	'Sets the number of bursts
"READ: BURS: PTEM: TRGS: MAX?"	'Executes the measurement and queries the result

**Characteristics:** \*RST value: --  
 SCPI: device-specific

**Mode:** MS

This command is an event and therefore has no query and no \*RST value .

**READ:BURSt:REFerence[:IMMediate]?**

This command starts the premeasurement of power vs. time and returns the measured level in dBm.

This command is only available in GSM/EDGE mode (FS-K5) and when measurement of the power vs. time is selected (see :CONFIgure: BURSt: PTEMplate).

**Note:** *This command has been included only for reasons of compatibility with FSE-K10.*

*Instead of this command, the command READ: BURSt: PTEMplate: REFerence [:IMMediate]? should be used, whose output format conforms to that of the premeasurement query commands.*

*For a detailed description see command READ: BURSt: PTEMplate: REFerence [:IMMediate]?.*

**Example:**

"INST MGSM"	'Switches the instrument to GSM/EDGE mode
"CONF: MTYP GMSK"	'Selects the modulation type GMSK
"CONF: BURS: PTEM"	'Selects the PVT measurement
"READ: BURS: REF?"	'Executes the premeasurement and queries the result

**Characteristics:** \*RST value: --  
 SCPI: device-specific

**Mode:** GSM/EDGE

This command is an event and therefore has no query and no \*RST value .



**READ:BURSt:MACCuracy:RMS:AVERAge?**

This command starts the measurement of the modulation accuracy of the mobile and reads out the average of the RMS-measurement of the error vector magnitude taken over the selected number of bursts.

When the measurement is started the analyzer is automatically set to single sweep.

Further results of the modulation accuracy measurement can be then queried without restart of the measurement via the :FETCh:BURSt-subsystem.

An ongoing measurement can be aborted via the command ABORt .

This command is only available with GSM/EDGE Analyzer (option FS-K5) and when measurement of the modulation accuracy is selected (CONFIgure:BURSt:MACCuracy[:IMMediate]).

<b>Example:</b>	"INST MGSM"	'Switches the instrument to GSM/EDGE mode
	"CONF:MTYP EDGE"	'Selects the modulation type EDGE (8PSK)
	"CONF:BURS:MACC"	'Selects the MAC measurement
	"SWE:COUN 20"	'Sets the number of bursts
	"READ:BURS:MACC:RMS:AVER?"	'Starts the measurement and reads out the result

**Characteristics:** \*RST value: --  
SCPI: device-specific

**Mode:** GSM/EDGE

This command is an event and therefore has no query and no \*RST value .

**READ:BURSt:MACCuracy:RMS:MAXimum?**

This command starts the measurement of the modulation accuracy of the mobile and reads out the maximum of the RMS-measurement of the error vector magnitude taken over the selected number of bursts.

When the measurement is started the analyzer is automatically set to single sweep.

Further results of the modulation accuracy measurement can be then queried without restart of the measurement via the :FETCh:BURSt-subsystem.

An ongoing measurement can be aborted via the command ABORt .

This command is only available with GSM/EDGE Analyzer (option FS-K5) and when measurement of the modulation accuracy is selected (CONFIgure:BURSt:MACCuracy[:IMMediate]).

<b>Example:</b>	"INST MGSM"	'Switches the instrument to GSM/EDGE mode
	"CONF:MTYP EDGE"	'Selects the modulation type EDGE (8PSK)
	"CONF:BURS:MACC"	'Selects the MAC measurement
	"SWE:COUN 20"	'Sets the number of bursts
	"READ:BURS:MACC:RMS:MAX?"	'Starts the measurement and reads out the result

**Characteristics:** \*RST value: --  
SCPI: device-specific

**Mode:** GSM/EDGE

This command is an event and therefore has no query and no \*RST value .

**READ:BURSt:MACCuracy:PEAK:AVERage?**

This command starts the measurement of the modulation accuracy of the mobile and reads out the average of the PEAK-measurement of the error vector magnitude taken over the selected number of bursts.

When the measurement is started the analyzer is automatically set to single sweep.

Further results of the modulation accuracy measurement can be then queried without restart of the measurement via the :FETCh:BURSt-subsystem.

An ongoing measurement can be aborted via the command ABORt .

This command is only available with GSM/EDGE Analyzer (option FS-K5) and when measurement of the modulation accuracy is selected (CONFIgure:BURSt:MACCuracy[:IMMediate]).

**Example:**

"INST M GSM"	'Switches the instrument to GSM/EDGE mode
"CONF:MTYP EDGE"	'Selects the modulation type EDGE (8PSK)
"CONF:BURS:MACC"	'Selects the MAC measurement
"SWE:COUN 20"	'Sets the number of bursts
"READ:BURS:MACC:PEAK:AVER?"	'Starts the measurement and reads out the result

**Characteristics:** \*RST value: --  
 SCPI: device-specific

**Mode:** GSM/EDGE

This command is an event and therefore has no query and no \*RST value .

**READ:BURSt:MACCuracy:PEAK:MAXimum?**

This command starts the measurement of the modulation accuracy of the mobile and reads out the maximum of the PEAK-measurement of the error vector magnitude taken over the selected number of bursts.

When the measurement is started the analyzer is automatically set to single sweep. Further results of the modulation accuracy measurement can be then queried without restart of the measurement via the :FETCh:BURSt-subsystem.

An ongoing measurement can be aborted via the command ABORt .

This command is only available with GSM/EDGE Analyzer (option FS-K5) and when measurement of the modulation accuracy is selected (CONFIgure:BURSt:MACCuracy[:IMMediate]).

**Example:**

"INST M GSM"	'Switches the instrument to GSM/EDGE mode
"CONF:MTYP EDGE"	'Selects the modulation type EDGE (8PSK)
"CONF:BURS:MACC"	'Selects the MAC measurement
"SWE:COUN 20"	'Sets the number of bursts
"READ:BURS:MACC:PEAK:MAX?"	'Starts the measurement and reads out the result

**Characteristics:** \*RST value: --  
 SCPI: device-specific

**Mode:** GSM/EDGE

This command is an event and therefore has no query and no \*RST value .

**READ:BURSt:MACCuracy:OSUPpress:AVERage?**

This command starts the measurement of the modulation accuracy of the mobile and reads out the average of the original offset suppression measurement taken over the selected number of bursts. When the measurement is started the analyzer is automatically set to single sweep. Further results of the modulation accuracy measurement can be then queried without restart of the measurement via the :FETCh:BURSt-subsystem.

An ongoing measurement can be aborted via the command `ABORT`.

This command is only available with GSM/EDGE Analyzer (option FS-K5) and when measurement of the modulation accuracy is selected (`CONFigure:BURSt:MACCuracy[:IMMediate]`).

<b>Example:</b>	"INST M GSM"	'Switches the instrument to GSM/EDGE mode
	"CONF:MTYP EDGE"	'Selects the modulation type EDGE (8PSK)
	"CONF:BURS:MACC"	'Selects the MAC measurement
	"SWE:COUN 20"	'Sets the number of bursts
	"READ:BURS:MACC:OSUP:AVER?"	'Starts the measurement and reads out the result

**Characteristics:** \*RST value: --  
SCPI: device-specific

**Mode:** GSM/EDGE

This command is an event and therefore has no query and no \*RST value .

**READ:BURSt:MACCuracy:OSUPpress:MAXimum?**

This command starts the measurement of the modulation accuracy of the mobile and reads out the maximum of the original offset suppression measurement taken over the selected number of bursts. When the measurement is started the analyzer is automatically set to single sweep. Further results of the modulation accuracy measurement can be then queried without restart of the measurement via the :FETCh:BURSt-subsystem.

An ongoing measurement can be aborted via the command `ABORT`.

This command is only available with GSM/EDGE Analyzer (option FS-K5) and when measurement of the modulation accuracy is selected (`CONFigure:BURSt:MACCuracy[:IMMediate]`).

<b>Example:</b>	"INST M GSM"	'Switches the instrument to GSM/EDGE mode
	"CONF:MTYP EDGE"	'Selects the modulation type EDGE (8PSK)
	"CONF:BURS:MACC"	'Selects the MAC measurement
	"SWE:COUN 20"	'Sets the number of bursts
	"READ:BURS:MACC:OSUP:MAX?"	'Starts the measurement and reads out the result

**Characteristics:** \*RST value: --  
SCPI: device-specific

**Mode:** GSM/EDGE

This command is an event and therefore has no query and no \*RST value .

**READ:BURSt:MACCuracy:PERCentile:AVERage?**

This command starts the measurement of the modulation accuracy of the mobile and reads out the average of the 95% percentile measurement taken over the selected number of bursts. When the measurement is started the analyzer is automatically set to single sweep. Further results of the modulation accuracy measurement can be then queried without restart of the measurement via the :FETCh:BURSt-subsystem.

An ongoing measurement can be aborted via the command `ABORt`.

This command is only available with GSM/EDGE Analyzer (option FS-K5) and when measurement of the modulation accuracy is selected (`CONFIgure:BURSt:MACCuracy[:IMMediate]`).

**Example:**

mode	"INST MGSM"	'Switches the instrument to GSM/EDGE
	"CONF:MTYP EDGE"	'Selects the modulation type EDGE (8PSK)
	"CONF:BURS:MACC"	'Selects the MAC measurement
	"SWE:COUN 20"	'Sets the number of bursts
	"READ:BURS:MACC:PERC:AVER?"	'Starts the measurement and reads out the result

**Characteristics:** \*RST value: --  
SCPI: device-specific

**Mode:** GSM/EDGE

This command is an event and therefore has no query and no \*RST value .

**READ:BURSt:MACCuracy:PERCentile:MAXimum?**

This command starts the measurement of the modulation accuracy of the mobile and reads out the maximum of the 95% percentile measurement taken over the selected number of bursts. When the measurement is started the analyzer is automatically set to single sweep. Further results of the modulation accuracy measurement can be then queried without restart of the measurement via the :FETCh:BURSt-subsystem.

An ongoing measurement can be aborted via the command `ABORt`.

This command is only available with GSM/EDGE Analyzer (option FS-K5) and when measurement of the modulation accuracy is selected (`CONFIgure:BURSt:MACCuracy[:IMMediate]`).

**Example:**

mode	"INST MGSM"	'Switches the instrument to GSM/EDGE
	"CONF:MTYP EDGE"	'Selects the modulation type EDGE (8PSK)
	"CONF:BURS:MACC"	'Selects the MAC measurement
	"SWE:COUN 20"	'Sets the number of bursts
	"READ:BURS:MACC:PERC:MAX?"	'Starts the measurement and reads out the result

**Characteristics:** \*RST value: --  
SCPI: device-specific

**Mode:** GSM/EDGE

This command is an event and therefore has no query and no \*RST value .

**READ:BURSt:MACCuracy:FREQuency:AVERage?**

This command starts the measurement of the modulation accuracy of the mobile and reads out the average of the frequency error measurement taken over the selected number of bursts.

When the measurement is started the analyzer is automatically set to single sweep.

Further results of the modulation accuracy measurement can be then queried without restart of the measurement via the :FETCh:BURSt-subsystem.

An ongoing measurement can be aborted via the command ABORt .

This command is only available with GSM/EDGE Analyzer (option FS-K5) and when measurement of the modulation accuracy is selected (CONFIgure:BURSt:MACCuracy[:IMMediate]).

<b>Example:</b>	"INST M GSM"	'Switches the instrument to GSM/EDGE mode
	"CONF:MTYP EDGE"	'Selects the modulation type EDGE (8PSK)
	"CONF:BURS:MACC"	'Selects the MAC measurement
	"SWE:COUN 20"	'Sets the number of bursts
	"READ:BURS:MACC:FREQ:AVER?"	'Starts the measurement and reads out the result

**Characteristics:** \*RST value: --  
SCPI: device-specific

**Mode:** GSM/EDGE

This command is an event and therefore has no query and no \*RST value .

**READ:BURSt:MACCuracy:FREQuency:MAXimum?**

This command starts the measurement of the modulation accuracy of the mobile and reads out the maximum of the frequency error measurement taken over the selected number of bursts.

When the measurement is started the analyzer is automatically set to single sweep.

Further results of the modulation accuracy measurement can be then queried without restart of the measurement via the :FETCh:BURSt-subsystem.

An ongoing measurement can be aborted via the command ABORt .

This command is only available with GSM/EDGE Analyzer (option FS-K5) and when measurement of the modulation accuracy is selected (CONFIgure:BURSt:MACCuracy[:IMMediate]).

<b>Example:</b>	"INST M GSM"	'Switches the instrument to GSM/EDGE mode
	"CONF:MTYP EDGE"	'Selects the modulation type EDGE (8PSK)
	"CONF:BURS:MACC"	'Selects the MAC measurement
	"SWE:COUN 20"	'Sets the number of bursts
	"READ:BURS:MACC:FREQ:MAX?"	'Starts the measurement and reads out the result.

**Characteristics:** \*RST value: --  
SCPI: device-specific

**Mode:** GSM/EDGE

This command is an event and therefore has no query and no \*RST value .

**READ:BURSt:MACCuracy:IQOFFset:AVERAge?**

This command triggers the measurement of the modulation accuracy of the mobile and reads out the average of the IQ DC offset measurement in % for the selected number of bursts. The start of the measurement automatically activates the single sweep mode. Further results of the modulation accuracy measurement can then be queried via the `FETCh:BURSt` subsystem without restarting the measurement. An ongoing measurement can be aborted by means of the `ABORt` command. This command is only available in conjunction with the option GSM/EDGE Analyzer FS-K5 if modulation accuracy measurement has been selected (`CONFigure:BURSt:MACCuracy[:IMMediate]`).

**Example:**

<code>"INST MGSM"</code>	'Switches the instrument to GSM/EDGE mode
<code>"CONF:MTYP EDGE"</code>	'Selects EDGE modulation (8PSK)
<code>"CONF:BURS:MACC"</code>	'Selects modulation accuracy (MAC) measurement
<code>"SWE:COUN 20"</code>	'Sets the number of bursts
<code>"READ:BURS:MACC:IQOF:AVER?"</code>	'Executes the measurement and queries the result

**Characteristics:** \*RST value: --  
 SCPI: device-specific

**Mode:** GSM/EDGE

If no measurement has been carried out yet, a query error is indicated. This command is a query and therefore has no \*RST value.

**READ:BURSt:MACCuracy:IQOFFset:MAXimum?**

This command triggers the measurement of the modulation accuracy of the mobile and reads out the maximum of the IQ DC offset measurement in % for the selected number of bursts. The start of the measurement automatically activates the single sweep mode. Further results of the modulation accuracy measurement can then be queried via the `FETCh:BURSt` subsystem without restarting the measurement. An ongoing measurement can be aborted by means of the `ABORt` command. This command is only available in conjunction with the option GSM/EDGE Analyzer FS-K5 if modulation accuracy measurement has been selected (`CONFigure:BURSt:MACCuracy[:IMMediate]`).

**Example:**

<code>"INST MGSM"</code>	'Switches the instrument to GSM/EDGE mode
<code>"CONF:MTYP EDGE"</code>	'Selects EDGE modulation (8PSK)
<code>"CONF:BURS:MACC"</code>	'Selects modulation accuracy (MAC) measurement
<code>"SWE:COUN 20"</code>	'Sets the number of bursts
<code>"READ:BURS:MACC:IQOF:MAX?"</code>	'Executes the measurement and queries the result

**Characteristics:** \*RST value: --  
 SCPI: device-specific

**Mode:** GSM/EDGE

If no measurement has been carried out yet, a query error is indicated. This command is a query and therefore has no \*RST value.

**READ:BURSt:MACCuracy:IQIMbalance:AVERAge?**

This command triggers the measurement of the modulation accuracy of the mobile and reads out the average of the IQ imbalance measurement in % for the selected number of bursts.

The start of the measurement automatically activates the single sweep mode.

Further results of the modulation accuracy measurement can then be queried via the `FETCh:BURSt` subsystem without restarting the measurement.

An ongoing measurement can be aborted by means of the `ABORt` command.

This command is only available in conjunction with the option GSM/EDGE Analyzer FS-K5 if modulation accuracy measurement has been selected

(`CONFigure:BURSt:MACCuracy[:IMMediate]`).

**Example:**

"INST MGSM"	'Switches the instrument to GSM/EDGE mode
"CONF:MTYP EDGE"	'Selects EDGE modulation (8PSK)
"CONF:BURS:MACC"	'Selects modulation accuracy (MAC) measurement
"SWE:COUN 20"	'Sets the number of bursts
"READ:BURS:MACC:IQIM:AVER?"	'Executes the measurement and queries the result

**Characteristics:** \*RST value: --  
SCPI: device-specific

**Mode:** GSM/EDGE

If no measurement has been carried out yet, a query error is indicated.

This command is a query and therefore has no \*RST value.

**READ:BURSt:MACCuracy:IQIMbalance:MAXimum?**

This command triggers the measurement of the modulation accuracy of the mobile and reads out the maximum of the IQ imbalance measurement in % for the selected number of bursts.

The start of the measurement automatically activates the single sweep mode.

Further results of the modulation accuracy measurement can then be queried via the `FETCh:BURSt` subsystem without restarting the measurement.

An ongoing measurement can be aborted by means of the `ABORt` command.

This command is only available in conjunction with the option GSM/EDGE Analyzer FS-K5 if modulation accuracy measurement has been selected

(`CONFigure:BURSt:MACCuracy[:IMMediate]`).

**Example:**

"INST MGSM"	'Switches the instrument to GSM/EDGE mode
"CONF:MTYP EDGE"	'Selects EDGE modulation (8PSK)
"CONF:BURS:MACC"	'Selects modulation accuracy (MAC) measurement
"SWE:COUN 20"	'Sets the number of bursts
"READ:BURS:MACC:IQIM:MAX?"	'Executes the measurement and queries the result

**Characteristics:** \*RST value: --  
SCPI: device-specific

**Mode:** GSM/EDGE

If no measurement has been carried out yet, a query error is indicated.

This command is a query and therefore has no \*RST value.

## READ:SPECTrum Subsystem

This subsystem provides the commands for starting measurements in the GSM/EDGE mode (FS-K5), which are used to measure the power of the spectral components due to modulation and switching, and for reading out the results subsequently.

Measurement of spectrum due to modulation (MOD)

Measurement of spectrum due to transients (TRA)

COMMAND	PARAMETERS	UNIT	COMMENT
READ			Option FS-K5
:SPECTrum			
:MODulation			
[:ALL?]	--	--	query only
:REFerence			
[:IMMediate?]	--	--	query only
:SWITching			
[:ALL?]	--	--	query only

### READ:SPECTrum:MODulation[:ALL]?

This command starts the measurement of the modulation spectrum of the mobile and reads out the result. The measurement is performed in the frequency range ARFCN ± 1.8 MHz.

The result is read out as a list of partial ASCII result strings separated by ',' in the following format:

<Index>,<Freq1>,<Freq2>,<Level>,<Limit>, <Abs/Rel>,<Status> [, <Index>,<Freq1>,<Freq2>,<Level>,<Limit>, <Abs/Rel>,<Status>]...

where the part set in '['...] characterizes a partial result string which can be repeated n times.

<Index>:           0,           if the partial result string characterizes a measurement range.  
                   current number <>0,  
                                   if the partial result string characterizes a single limit excess.

<Freq1>:           Start frequency of the measurement range or frequency where the limit is exceeded.

<Freq2>:           Stop frequency of the measurement range or frequency where the measured range is exceeded. The value of <Freq2> is equal to the value of <Freq1>, if either the measurement is performed in the time domain or the partial result string contains a limit excess.

<Level>:           Measured maximum level of the partial range or measured level at the test point.

<Limit>:           Limit in the partial range or at the test point.

<Abs/Rel>:         ABS <Level> and <Limit> are in absolute units (dBm)  
                   REL <Level> and <Limit> are in relative units (dB)

<Status>:         Result of the limit check in character data form:  
                   PASSED no limit exceeded  
                   FAILED limit exceeded  
                   MARGIN margin exceeded

The frequencies <Freq1> and <Freq2> are always absolute and not referred to the carrier frequency.

An ongoing measurement can be aborted via the command `ABORT`.

This command is only available with GSM/EDGE Analyzer FS-K5 option and when modulation spectrum measurement is selected (see `:CONFigure:SPECTrum:MODulation`).



**Example:**

"INST M GSM"	'Switches the instrument to GSM/EDGE mode
"CONF:SPEC:MOD"	'Selects the MOD measurement
"READ:SPEC:MOD:REF?"	'Executes the premeasurement and queries the result.
"READ:SPEC:MOD?"	'Executes the measurement in the time domain and queries the result.

**Result:** 0,890E6,915E6,-87.4,-108.0,ABS,FAILED,  
1,893.2E6,893.2E6,-83.2,-108.0,ABS,FAILED,  
2,895.7E6,895.7E6,-87.4,-108.0,ABS,FAILED

**Characteristics:** \*RST value: --  
SCPI: device-specific

**Mode:** GSM/EDGE

This command is an event and therefore has no query and no \*RST value .

### READ:SPECTrum:MODulation:REFerence[:IMMediate]?

This command starts the premeasurement of the modulation due to spectrum measurement and reads out the result.

The result is output as a list of partial result strings separated by ',' in the following (ASCII) format:

<Level1>,<Level2>,<RBW>

<Level1>: measured level

<Level2>: level corrected by means of the bandwidth

<RBW>: bandwidth

This command is only available in GSM/EDGE mode (FS-K5) and when measurement of the modulation due to spectrum is selected (see :CONFIgure:SPECTrum:MODulation).

**Example:**

"INST M GSM"	'Switches the instrument to GSM/EDGE mode
"CONF:SPEC:MOD"	'Selects the MOD measurement
"READ:SPEC:MOD:REF?"	'Executes the premeasurement and queries the result.

**Result:** 35.2,43.2,30000

**Characteristics:** \*RST value: --  
SCPI: device-specific

**Mode:** GSM/EDGE

This command is an event and therefore has no query and no \*RST value .

**READ:SPECTrum:SWITching[:ALL]?**

This command starts the measurement of the transient spectrum of the mobile and reads out the result.

The result is read out as a list of partial ASCII result strings separated by ',' in the format used for READ:SPECTrum:MODulation[:ALL]?

An ongoing measurement can be aborted via the command ABORT.

This command is only available in GSM/EDGE Analyzer mode (FS-K5) and when the spectrum due to switching measurement is selected (see :CONFigure:SPECTrum:SWITChing)

**Example:**

"INST M GSM"	'Switches the instrument to GSM/EDGE mode
"CONF:SPEC:SWIT"	'Selects the TRA measurement
"READ:SPEC:SWIT?"	'Executes the measurement in the time domain and queries the result.

**Result:**

```
0,833.4E6,833.4E6,37.4,-36.0,ABS,MARGIN,
1,834.0E6,834.0E6,-35.2,-36.0,ABS,FAILED,
2,834.6E6,834.6E6,-74.3,-75.0,REL,FAILED
0,835.0E6,835.0E6,-65,0,-60.0,REL,PASSED
```

**Characteristics:** \*RST value: --  
 SCPI: device-specific

**Mode:** GSM/EDGE

This command is an event and therefore has no query and no \*RST value .

**READ:SPECTrum:SWITching:REFerence[:IMMediate]?**

This command starts the premeasurement of the modulation due to switching transients (TRA) measurement and reads out the result.

This premeasurement is only necessary if the limit type is relative.  
 (See command CONF:SPEC:SWIT:LIM)

The result is output as a list of partial result strings separated by ',' in the following (ASCII) format:

<Level1>,<Level2>,<RBW>

<Level1>: measured level

<Level2>: level corrected by means of the bandwidth (RBW is fix 300 kHz, therefore identical to the measured level.)

<RBW>: bandwidth, fix 300 kHz

This command is only available in GSM/EDGE mode (FS-K5) and when measurement of the modulation due to switching transients is selected (see :CONFigure:SPECTrum:SWITChing).

**Example:**

"INST M GSM"	'Switches the instrument to GSM MS mode
"CONF:SPEC:SWIT"	'Selects the TRA measurement
"CONF:SPEC:SWIT:LIM REL"	'Selects relative mode
"SWE:COUN 20"	'Selects number of bursts
"READ:SPEC:SWIT:REF?"	'Executes the premeasurement and queries the result.

**Result:** 43.2,43.2,300000

**Characteristics:** \*RST value: --  
 SCPI: device-specific

**Mode:** GSM/EDGE

This command is an event and therefore has no query and no \*RST value .

## SENSe Subsystem

The SENSe subsystem is organized in several subsystems. The commands of these subsystems directly control device-specific settings, they do not refer to the signal characteristics of the measurement signal.

The SENSe subsystem controls the essential parameters of the analyzer. In accordance with the SCPI standard, the keyword "SENSe" is optional for this reason, which means that it is not necessary to include the SENSe node in command sequences.

The measurement windows are selected by SENSe1 and SENSe2:

SENSe1 = Modification of screen A settings  
SENSe2 = Modification of screen B settings.

Screen A is automatically selected if 1 or 2 is missing.

## [SENSe:]ADEMod - Subsystem

The purpose of the commands defined below is to set up the instrument for the measurement of FM, PM and AM modulated signals in a way that allows to obtain as many measurement results as possible with a single shot measurement.

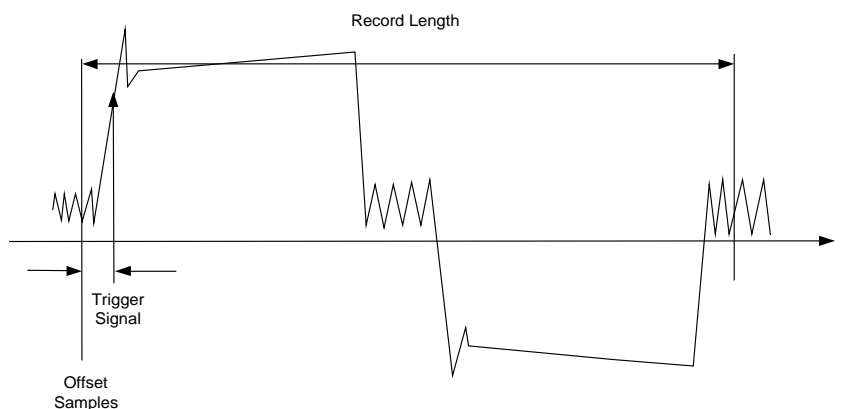
For that purpose the instrument has been equipped with a demodulator that is capable of performing both FM, PM and AM demodulation at a time. Additionally maximum, minimum and average or current values can be obtained in parallel over a selected number of measurements. In order to make it suitable for burst signals the demodulator can be configured in terms of pretrigger time, sample rate and record length.

**Note:** Demodulation will be performed offline, that means, on signals previously stored into memory. The I/Q memory available for that purpose is 2 x 128 k samples. The sample rate can be selected in the range of 15.625 kHz to 32 MHz.

### Example:

For a Bluetooth signal, the signal schematic under request is described in the following diagram:

Frequency versus time:



Measurement results of interest are:

- FM Offset
- FM Deviation (maximum and minimum) for signal modulated with '1'-values only
- FM Deviation (maximum and minimum) for signal modulated with '0'-values only
- AM Modulation Depth for positive and negative burst ramp.

These values can be obtained by external computations on the frequency or amplitude versus time data. For that purpose the FSP will deliver the following results:

- Demodulated FM signal (current values, averaged, maxhold, minhold selectable)
- Demodulated AM component of the signal (current values, averaged, maxhold, minhold selectable)
- FM Offset (current value or averaged selectable)

Therefore parameters to be set up on the analyzer are:

- types of demodulation to measure simultaneously (AM/FM)
- sample rate
- record length
- trigger source (free Run/external)
- pretrigger samples
- # of measurements to use for average/maxhold/minhold

Additionally for each demodulation type the required result values need to be configured. The FSP is capable to perform two modulation types at a time with a maximum of 3 different result types per demodulation. Possible selections for the result types are

- WRITeThe current measurement results will be obtained
- AVERAgeThe measurement results will be averaged over the given # of measurements
- MAXHoldThe maximum result values will be obtained over the given # of measurements
- MINHoldThe minimum result values will be obtained over the given # of measurements

The commands defined below will be used in the following way:

Setting up the instrument and querying the result list after synchronization to the end of measurement: With this method the control computer can be used for other activities while the FSP is performing the measurement.

**Note:** *Analog demodulation is only available for screen A. Therefore the command sequence "SENSe2..." is not available for the commands of the SENSe:ADEMod subsystem.*

COMMAND	PARAMETERS	UNIT	COMMENT
[SENSe<1 2>] :ADEMod :AF			Option FM Demodulator
:COUPling	AC   DC		
:CENTer	<numeric_value>	HZ	
:SPAN	<numeric_value>	HZ	
:FULL	--	--	
:STARt	<numeric_value>	HZ	
:STOP	<numeric_value>	HZ	
:BANDwidth			
:DEModulation	<numeric_value>	HZ	
:BWIDth			
:DEModulation	<numeric_value>	HZ	
:MTIME	<numeric_value>	S	
:RLENgth?			
[:STATe]	<Boolean>		query only
:SET	<numeric_value>, <numeric_value>, IMMediate   EXTernal   IFPower   RFPower   AF   AM   AMRelative   FM   PM, POSitive   NEGative,	HZ, --, --, --, --	
:SRATE?			query only

COMMAND	PARAMETERS	UNIT	COMMENT
[SENSe<1 2>]			
:AM			Option FM Demodulator
[:TDOMain]			
[:TYPE]	WRITe   AVERAge   MAXHold   MINHold   OFF, WRITe   AVERAge   MAXHold   MINHold   OFF, WRITe   AVERAge   MAXHold   MINHold   OFF		
:RESult?	WRITe   AVERAge   MAXHold   MINHold		query only
:AFSPectrum			
[:TYPE]	WRITe   AVERAge   MAXHold   MINHold   VIEW   OFF, WRITe   AVERAge   MAXHold   MINHold   VIEW   OFF, WRITe   AVERAge   MAXHold   MINHold   VIEW   OFF		
:RESult?	WRITe   AVERAge   MAXHold   MINHold		query only
:FM			
[:TDOMain]			
[:TYPE]	WRITe   AVERAge   MAXHold   MINHold   OFF, WRITe   AVERAge   MAXHold   MINHold   OFF, WRITe   AVERAge   MAXHold   MINHold   OFF		
:RESult?	WRITe   AVERAge   MAXHold   MINHold		query only
:AFSPectrum			
[:TYPE]	WRITe   AVERAge   MAXHold   MINHold   VIEW   OFF, WRITe   AVERAge   MAXHold   MINHold   VIEW   OFF, WRITe   AVERAge   MAXHold   MINHold   VIEW   OFF		
:RESult?	WRITe   AVERAge   MAXHold   MINHold		query only
:OFFSet?	IMMediate   AVERAge		
:PM			Option FM Demodulator
[:TDOMain]			
[:TYPE]	WRITe   AVERAge   MAXHold   MINHold   VIEW   OFF, WRITe   AVERAge   MAXHold   MINHold   VIEW   OFF, WRITe   AVERAge   MAXHold   MINHold   VIEW   OFF		
:RESult?	WRITe   AVERAge   MAXHold   MINHold		query only
:AFSPectrum			
[:TYPE]	WRITe   AVERAge   MAXHold   MINHold   VIEW   OFF, WRITe   AVERAge   MAXHold   MINHold   VIEW   OFF, WRITe   AVERAge   MAXHold   MINHold   VIEW   OFF		
:RESult?	WRITe   AVERAge   MAXHold   MINHold		query only

**[SENSe:]ADEMod:AF:COUPLing** AC | DC

This command selects the coupling of the AF path of the analyzer.

**Example:** "ADEM:AF:COUP DC" 'Switches on DC coupling.

**Characteristics:** \*RST value: AC  
SCPI: device-specific

**Mode:** A

This command is only available with option FS-K7 (FM Demodulator).

**[SENSe:]ADEMod:BANDwidth | BWIDth:DEModulation** <numeric\_value>

This command defines the demodulation bandwidth used for analog demodulation. The required sampling rate is automatically set depending on the selected demodulation bandwidth. The available demodulation bandwidths are determined by the existing sampling rates.

Roanded demodulation bandwidth	Sampling rate
10 MHz	32 MHz
8 MHz	16 MHz
5 MHz	8 MHz
3 MHz	4 MHz
1.6 MHz	2 MHz
800 kHz	1 MHz
400 kHz	500 kHz
200 kHz	250 kHz
100 kHz	125 kHz
50 kHz	62.5 kHz
25 kHz	31.25 kHz
12.5 kHz	15.625 kHz

**Example:** "ADEM:BAND:DEM 1MHz" 'Sets the demodulation bandwidth to 1 MHz.

**Characteristics:** \*RST value: 5 MHz  
SCPI: device-specific

**Mode:** FM

This command is only available with option FS-K7 (FM Demodulator).

**[SENSe:]ADEMod:MTIME** <numeric\_value>

This command defines the measurement time for analog demodulation.

**Example:** "ADEM:BAND:MTIM 62.625us" 'Sets the measurement time to 62.625  $\mu$ s.

**Characteristics:** \*RST value: 62.625us  
SCPI: device-specific

**Mode:** FM

This command is only available with option FS-K7 (FM Demodulator).

**[SENSe:]ADEMod:RLENgth?**

This command returns the record length set up for the current analog demodulation measurement.

**Example:** "ADEM:RLEN?" 'Returns the current record length.'

**Characteristics:** \*RST value: -  
SCPI: device-specific

**Mode:** FM

This command is only available with option FS-K7 (FM Demodulator).

**[SENSe:]ADEMod:AF:SPAN <numeric\_value>**

This command sets the span for result display AF spectrum.

The span is limited to half the measurement bandwidth of analog demodulation (SENS:ADEM:BAND).

**Example:** "ADEM ON" 'Switches on the FM demodulator  
"CALC:FEED 'XTIM:FM:AFSP ' 'Switches on result display AF spectrum of FM

or

"CALC:FEED 'XTIM:RFP:AFSP ' 'Switches on result display AF spectrum of RF power signal  
"ADEM:BAND 5 MHz " 'Sets the measurement bandwidth to 5 MHz  
"ADEM:AF:CENT 500kHz " 'Sets the AF center frequency to 500 kHz  
"ADEM:AF:SPAN 200kHz " 'Sets the AF span to 200 kHz

**Characteristics:** \*RST value: 2.5 MHz  
SCPI: device-specific

**Mode:** FM

This command is only available with option FS-K7 (FM demodulator).

**[SENSe:]ADEMod:AF:SPAN:FULL**

This command sets the maximum span for result display AF spectrum.

The maximum span corresponds to half the measurement bandwidth of analog demodulation (SENS:ADEM:BAND).

**Example:** "ADEM ON" 'Switches on the FM demodulator  
"CALC:FEED 'XTIM:FM:AFSP ' 'Switches on result display AF spectrum of FM

or

"CALC:FEED 'XTIM:RFP:AFSP ' 'Switches on result display AF spectrum of RF power signals  
"ADEM:BAND 5 MHz " 'Sets the measurement bandwidth to 5 MHz  
"ADEM:AF:SPAN:FULL " 'Sets the AF span to 2.5 MHz

**Characteristics:** \*RST value: -  
SCPI: device-specific

**Mode:** FM

This command is only available with option FS-K7 (FM demodulator).

**[SENSe:]ADEMod:AF:CENTer** <numeric\_value>

This command sets the center frequency for result display AF spectrum.

**Example:** "ADEM ON" 'Switches on the FM demodulator  
 "CALC:FEED XTIM:FM:AFSP 'Switches on result display AF spectrum of FM  
 or  
 "CALC:FEED XTIM:RFP:AFSP 'Switches on result display AF spectrum of  
 'RF power signal  
 "ADEM:BAND 5 MHz" 'Sets the measurement bandwidth to 5 MHz  
 "ADEM:AF:CENT 500kHz" 'Sets the AF center frequency to 500 kHz  
 "ADEM:AF:SPAN 200kHz" 'Sets the AF span to 200 kHz

**Characteristics:** \*RST value: 1.25 MHz  
 SCPI: device-specific

**Mode:** FM

This command is only available with option FS-K7 (FM demodulator).

**[SENSe:]ADEMod:AF:START** <numeric\_value>

This command sets the start frequency for result display AF spectrum.

**Example:** "ADEM ON" 'Switches on FM demodulator  
 "CALC:FEED XTIM:FM:AFSP 'Switches on result display AF spectrum of FM  
 or  
 "CALC:FEED XTIM:RFP:AFSP 'Switches on result display AF spectrum of  
 'RF power signal  
 "ADEM:BAND 5 MHz" 'Sets the measurement bandwidth to 5 MHz  
 "ADEM:AF:STAR 0kHz" 'Sets the AF start frequency to 0 kHz  
 "ADEM:AF:STOP 500kHz" 'Sets the AF stop frequency to 500 kHz

**Characteristics:** \*RST value: 0 MHz  
 SCPI: device-specific

**Mode:** FM

This command is only available with option FS-K7 (FM demodulator).

**[SENSe:]ADEMod:AF:STOP** <numeric\_value>

This command sets the stop frequency for result display AF spectrum.

The stop frequency is limited to half the measurement bandwidth of analog demodulation (SENS:ADEM:BAND).

**Example:** "ADEM ON" 'Switches on the FM demodulator  
 "CALC:FEED XTIM:FM:AFSP 'Switches on result display AF spectrum of  
 'FM  
 or  
 "CALC:FEED XTIM:RFP:AFSP 'Switches on result display AF spectrum of  
 'RF power signal  
 "ADEM:BAND 5 MHz" 'Sets the measurement bandwidth to 5 MHz  
 "ADEM:AF:STAR 0kHz" 'Sets the AF start frequency to 0 kHz  
 "ADEM:AF:STOP 500kHz" 'Sets the AF stop frequency to 500 kHz

**Characteristics:** \*RST value: 2.5 MHz  
 SCPI: device-specific

**Mode:** FM

This command is only available with option FS-K7 (FM demodulator).



**[SENSe:]ADEMod[:STATe]** ON | OFF

This command activates the FM demodulator of the instrument. The instrument will be set to time domain measurement (span = 0) at the current center frequency. The detector will be set to SAMPLE, the demodulator itself will be set up according to the parameters of command

[SENSe:]ADEMod:SET.

**Note:**

*The measurement is always performed in Screen A. Split Screen operation will be switched off as soon as the Demodulator is activated.*

**Example:** "ADEM ON" 'Switches the AM/FM demodulator on with the parameters set by [SENSe:]ADEMod:SET.

**Characteristics:** \*RST value: OFF  
SCPI: device-specific

**Mode:** FM

This command is only available with option FS-K7 (FM Demodulator).

**[SENSe:]ADEMod:SET** <sample rate>,<record length>, <trigger source>,<trigger slope>,<offset samples>,<# of meas>

This command configures the AM/FM demodulator of the instrument.

**Parameters:**

<sample rate>: The frequency at which measurement values are taken from the A/D-converter and stored in I/Q memory.

Valid range: 15.625 kHz, 31.25 kHz, 62.5 kHz, 125 kHz, 250 kHz, 500 kHz, 1 MHz, 2 MHz, 4 MHz, 8 MHz, 16 MHz, 32 MHz with <filter type> = NORMAL

<record length>: Number of samples to be stored in I/Q memory.

Valid range: 1 to 130560 (128 \* 1024 - 512)

<trigger source>: Selection of the trigger source to use for the demodulator.

Valid values: IMMEDIATE | EXTERNAL | IFPOWER | RFPower | AF | AM | FM | PM

*Notes:*

*IFPower and RFPower are available as of model 03 of the detector board assembly.*

*RFPower requires the TV and RF Trigger option FSP-B6.*

*After selecting IFPower and RFPower, the trigger threshold can be set with command TRIG:LEV:IFP or TRIG:LEV:RFP.*

<trigger slope>: Used slope of the trigger signal.

Valid values: POSITIVE | NEGATIVE

The value indicated here will be ignored for <trigger source> = IMMEDIATE.

<offset samples>: Number of samples to be used as an offset to the trigger signal.

Valid range: -65024 to 130559 (= -64 \* 1024 + 512 to 128 \* 1024 - 513)

The value indicated here will be ignored for <trigger source> = IMMEDIATE.

<# of meas>: Number of repetitions of the measurement to be executed. The value indicated here is especially necessary for the average/maxhold/minhold function.

Valid range: 0 to 32767

**Examples:** ADEM:SET 8MHz,32000,EXT,POS,-500,30 ' Executes a measurement at  
 sample rate= 8 MHz  
 record length= 32000  
 trigger source = EXTernal  
 trigger slope = POSitive  
 offset samples = -500 (= 500  
 samples before trigger  
 occurred)  
 # of meas = 30

**Characteristics:** \*RST values: sample rate= 8 MHz  
 record length= 501  
 trigger source = IMMEDIATE  
 trigger slope = POSitive  
 offset samples = 0  
 # of meas = 0

SCPI: device-specific

**Mode:** FM

This command is only available with option FS-K7 (FM Demodulator).

#### [SENSe:]ADEMod:SRATe?

This command returns the sample rate set up for the current analog demodulation measurement.

**Example:** "ADEM:SRAT?" 'Returns the current sample rate.

**Characteristics:** \*RST value: -  
 SCPI: device-specific

**Mode:** FM

This command is only available with option FS-K7 (FM Demodulator).

**[SENSe:]ADEMod:AM[:TDOMain][:TYPE]** <result type 1>,<result type 2>,<result type 3>

This command selects the result types to be created in parallel by AM demodulation.

**Parameters:** <result type 1/2/3>: WRITe The current measurement results will be obtained

AVERAge The measurement results will be averaged over the given # of measurements

MAXHold The maximum result values will be obtained over the given # of measurements

MINHold The minimum result values will be obtained over the given # of measurements

VIEW The measurement results are frozen and displayed, i.e. they are not calculated for subsequent measurements.

OFF The result type will not be used.

**Notes:**

*Each value besides OFF can only be assigned to one result type at a time.*

*Setting all result types to OFF will deactivate the AM demodulator.*

**Examples:** ADEM:AM AVER,MAXH,MINH 'Creates average, max hold and min hold values at 'a time

ADEM:AM WRIT,OFF,OFF 'Creates only the current measurement values

ADEM:AM OFF,OFF,OFF 'Switches AM demodulation off

**Characteristics:** \*RST values: WRITe,OFF,OFF

SCPI: device-specific

**Mode:** A

This command is only available with option FS-K7 (FM Demodulator).

**[SENSe:]ADEMod:AM[:TDOMain]:RESult?**<result type>

This command reads the result data obtained by AM demodulation depending on the type indicated as a parameter. The data format of the output data block is defined by the FORMat command.

**Note:** *It is not possible to read out trace data when result type VIEW is selected.*

**Parameters:** <result type>: WRITe The current measurement results will be obtained

AVERAge The measurement results will be averaged over the given # of measurements

MAXHold The maximum result values will be obtained over the given # of measurements

MINHold The minimum result values will be obtained over the given # of measurements

**Notes:**

*The result type indicated must be one of those configured by [SENSe:]ADEMod:AM[:TDOMain][:TYPE]. Otherwise a query error will be generated.*

**Return Values:**

**ASCII Format (FORMat ASCII):**

In this case the command will yield a list of comma separated values (CSV) of the measured values in floating point format. The output unit is dBm *with logarithmic display and V with linear display.*

**Binary Format (FORMat REAL,32):**

In this case the command will yield binary data (Definite Length Block Data according to IEEE 488.2), each measurement value being formatted in 32 Bit IEEE 754 Floating-Point-Format. The schematics of the result string will be as follows:

#41024<value1><value2>...<value n>

with

#4 number of digits (= 4 in the example) of the following number of data bytes

1024 number of following data bytes (= 1024 in the example)

<value x> 4-Byte-Floating Point Value

**Examples:**

ADEM:SET 8MHz,32000,EXT,POS,-500,30	'Sets up demodulator parameters
ADEM:FM AVER,MAXH,MINH	'Sets up FM results to measure
ADEM:AM WRIT,OFF,OFF	'Sets up AM results to measure
ADEM ON	'Switches on demodulator
INIT;*WAI	'Starts measurement and waits for sync
FORM ASC	'Selects output format
ADEM:FM:RES? AVER	'Reads FM average results
ADEM:FM:RES? MAXH	'Reads FM max hold results
ADEM:FM:RES? MINH	'Reads FM min hold results
ADEM:AM:RES? WRIT	'Reads AM current results

**Characteristics:** \*RST values: -  
SCPI: device-specific

**Mode:** FM

This command is only available with option FS-K7 (FM Demodulator).

**[SENSe:]ADEMod:AM:AFSPectrum[:TYPE] <result type 1>,<result type 2>,<result type 3>**

This command selects the simultaneously measured result types of the AF spectrum of the AM demodulated signal.

**Parameter:** <result type 1/2/3>:

WRITE	The current measurement results are recorded.
AVERAGE	The measurement results averaged over the given number of measurements are obtained.
MAXHold	The maximum result is determined over the given number of measurements.
MINHold	The minimum result is determined over the given number of measurements.
VIEW	The measurement result in the display is frozen, i.e. not recalculated with further measurements.
OFF	Result type is not used.

**Note:**

*Settings other than OFF can be assigned only to one result type at a time.*

*If all result types are set to OFF, the AF spectrum of the AM demodulated signal is not calculated.*

*The result type "AF spectrum of AM demodulated signal" cannot be activated at the same time as "AF spectrum of FM demodulated signal".*

**Examples:**

ADEM:AM:AFSP	AVER,MAXH,MINH	'Determines average, maximum and minimum value simultaneously
ADEM:AM:AFSP	WRIT,OFF,OFF	'Determines only current measurement results
ADEM:AM:AFSP	OFF,OFF,OFF	'Switches off calculation of the AF spectrums

**Characteristics:** \*RST values: OFF,OFF,OFF  
SCPI: device-specific

**Mode:** A

This command is only available with option FS-K7 (FM demodulator).

[SENSe:]ADEMod:AM:AFSPectrum:RESult? <result type>

This command reads out measurement results of the AF spectrum of the AM demodulated signal with the specified result type. The data format of the output data is determined with the FORMat command.

**Note:** Traces in the VIEW state cannot be queried.

<b>Parameter:</b>	<result type>:	WRITe	The current measurement results are returned.
		AVERage	The measurement results averaged over the given number of measurements are returned.
		MAXHold	The maximum result determined over the given number of measurements is returned.
		MINHold	The minimum result determined over the given number of measurements is returned.

**Note:**

The specified result type must be one of those configured with command [SENSe:]ADEMod:AM:AFSPectrum[:TYPE]. Otherwise a query error will be generated.

**Returned values:**

**ASCII format (FORMat ASCII):**

In this case, the command returns a comma-separated list (comma separated values = CSV) of the measured values in floating-point format. The output unit is dBm with logarithmic display and volt with linear display.

**Binary format (FORMat REAL,32):**

In this case the command returns binary data (definite length block data to IEEE 488.2), each measured value being formatted in 32-bit IEEE 754 floating point format. When seen schematically, the return string is structured as follows:

```
#41024<value1><value2>...<value n>
with
#4                number of digits (4 in the example) of the following number of
data bytes
1024             number of following data bytes (# of DataBytes, 1024 in the example)
<value x>       4-byte floating point value
```

**Examples:**

```
ADEM:SET 8MHz,32000,EXT,POS,-500,30 'Sets the demodulator
ADEM:FM AVER,MAXH,MINH             'Selects the FM results to be measured
ADEM:AM WRIT,OFF,OFF               'Selects the AM results to be measured
ADEM:AM:AFSP WRIT,OFF,OFF          'Selects the AF spectrum results of the
demodulated AM signal to be measured.
ADEM ON                             'Switches on the demodulator
INIT;*WAI                           'Starts the measurement and waits for the
termination
FORM ASC                             'Selects the output format
ADEM:FM:RES? AVER                   'Reads the FM average results data
ADEM:FM:RES? MAXH                   'Reads the FM Maxhold result data
ADEM:FM:RES? MINH                   'Reads the FM Minhold result data
ADEM:AM:RES? WRIT                   'Reads the current AM results
ADEM:AM:AFSP:RES? WRIT              'Reads the current AF spectrum result data
of the demodulated AM signal
```

**Characteristics:** \*RST value: -  
SCPI: device-specific

**Mode:** FM

This command is only available with option FS-K7 (FM demodulator).

[SENSe:]ADEMod:FM[:TDOMain][:TYPE]<result type 1>,<result type 2>,<result type 3>

This command selects the result types to be created in parallel by FM demodulation.

<b>Parameters:</b>	<result type 1/2/3>:	WRITE	The current measurement results will be obtained
		AVERage	The measurement results will be averaged over the given # of measurements
		MAXHold	The maximum result values will be obtained over the given # of measurements
		MINHold	The minimum result values will be obtained over the given # of measurements
		VIEW	The measurement results are frozen and displayed, i.e. they are not calculated for subsequent measurements.
		OFF	The result type will not be used.

**Notes:**

*Each value besides OFF can only be assigned to one result type at a time.*

*Setting all result types to OFF will deactivate the FM demodulator.*

<b>Examples:</b>	ADEM:FMAVER,MAXH,MINH	'Creates average, max hold and min hold values 'at a time
	ADEM:FMWRIT,OFF,OFF	'Only creates the current measurement values
	ADEM:FMOFF,OFF,OFF	'Switches FM demodulation off

**Characteristics:** \*RST values: WRITE,OFF,OFF  
SCPI: device-specific

**Mode:** FM

This command is only available with option FS-K7 (FM Demodulator).

[SENSe:]ADEMod:FM[:TDOMain]::RESult? <result type>

This command reads the result data obtained by FM demodulation depending on the type indicated as a parameter. The data format of the output data block is defined by the FORMat command.

**Note:** *It is not possible to read out trace data when result type VIEW is selected.*

<b>Parameters:</b>	<result type>:	WRITE	The current measurement results will be obtained
		AVERage	The measurement results will be averaged over the given # of measurements
		MAXHold	The maximum result values will be obtained over the given # of measurements
		MINHold	The minimum result values will be obtained over the given # of measurements

**Notes:**

*The result type indicated must be one of those configured by [SENSe:]ADEMod:FM[:TDOMain][:TYPE]. Otherwise a query error will be generated.*

**Return Values****ASCII Format (FORMat ASCII):**

In this case the command will yield a list of comma separated values (CSV) of the measured values in floating point format. The output unit is Hz.

**Binary Format (FORMat REAL,32):**

In this case the command will yield binary data (Definite Length Block Data according to IEEE 488.2), each measurement value being formatted in 32 Bit IEEE 754 Floating-Point-Format. The schematics of the result string will be as follows:

#41024<value1><value2>...<value n>

with

#4            number of digits (= 4 in the example) of the following number of data bytes

1024        number of following data bytes (= 1024 in the example)

<value x> 4-Byte-Floating Point Value

<b>Examples:</b>	ADEM:SET 8MHz, 32000, EXT, POS, -500, 30	'Sets up demodulator parameters
	ADEM:FM AVER, MAXH, MINH	'Sets up FM results to measure
	ADEM:AM WRIT, OFF, OFF	'Sets up SPEC results to measure
	ADEM ON	'Switches on demodulator
	INIT; *WAI	'Starts measurement and waits
		'for sync
	FORM ASC	'Selects output format
	ADEM:FM:RES? AVER	'Reads FM average results
	ADEM:FM:RES? MAXH	'Reads FM max hold results
	ADEM:FM:RES? MINH	'Reads FM min hold results
	ADEM:AM:RES? WRIT	'Reads AM current results

**Characteristics:** \*RST values: -  
SCPI: device-specific

**Mode:** FM

This command is only available with option FS-K7 (FM Demodulator).

**[SENSe:]ADEMod:FM:AFSPpectrum[:TYPE] <result type 1>,<result type 2>,<result type 3>**

This command selects the simultaneously measured result types of the AF spectrum of the FM demodulated signal.

<b>Parameter:</b>	<result type 1/2/3>:	WRITE	The current measurement results are recorded.
		AVERage	The measurement results averaged over the given number of measurements are obtained.
		MAXHold	The maximum result is determined over the given number of measurements.
		MINHold	The minimum result is determined over the given number of measurements.
		VIEW	The measurement result in the display is frozen, i.e. it is not recalculated in further measurements.
		OFF	The result type is not used.

**Note:**

*Settings other than OFF can be assigned only to one result type at a time.*

*If all result types are set to OFF, the AF spectrum of the FM demodulated signal is not calculated.*

*The result type "AF spectrum of the FM demodulated signal" cannot be activated at the same time as "AF spectrum of AM demodulated signal".*

**Examples:**

ADEM:FM:AFSP	AVER,MAXH,MINH	'Determines average, maximum and minimum value simultaneously
ADEM:FM:AFSP	WRIT,OFF,OFF	'Determines only current measurement results
ADEM:FM:AFSP	OFF,OFF,OFF	'Switches calculation of AF spectrum off

**Characteristics:** \*RST values: OFF,OFF,OFF  
 SCPI: device-specific

**Mode:** A

This command is only available with option FS-K7 (FM demodulator).

**[SENSe:]ADEMod:FM:AFSPpectrum:RESult? <result type>**

This command reads out measurement results of the AF spectrum of the AM demodulated signal with the specified result type. The data format of the output data is determined with the FORMat command.

**Note:**

*Traces in the VIEW state cannot be queried.*

**Parameter:** <result type>: WRITe The current measurement results are returned.  
 AVERAge The measurement results averaged over the given number of measurements are returned.  
 MAXHold The maximum result determined over the given number of measurements is returned.  
 MINHold The minimum result determined over the given number of measurements is returned.

**Note:**

*The specified result type must be one of those configured with the command [SENSe:]ADEMod:FM:AFSPpectrum[:TYPE]. Otherwise a query error will be generated.*

**Returned values:****ASCII format (FORMat ASCII):**

In this case, the command returns a comma-separated list (comma separated values = CSV) of the measured values in floating-point format. The output unit is dBm with logarithmic display and volt with linear display.



**Binary format (FORMat REAL,32):**

In this case the command returns binary data (definite length block data to IEEE 488.2), each measured value being formatted in 32-bit IEEE 754 floating point format. When seen schematically, the return string is structured as follows:

```
#41024<value1><value2>...<value n>
with
#4          number of digits (4 in the example) of the following number of data
bytes
1024      number of following data bytes (# of DataBytes, 1024 in the example)
<value x> 4 byte floating point value
```

**Examples:**

ADEM:SET 8MHz,32000,EXT,POS,-500,30	'Sets demodulator
ADEM:FM AVER,MAXH,MINH	'Selects the FM results to be measured
ADEM:AM WRIT,OFF,OFF	'Selects the AM results to be measured
ADEM:FM:AFSP WRIT,OFF,OFF	'Selects the AF spectrum
	'results of the demodulated AM signal
	'to be measured
ADEM ON	'Switches the demodulator on
INIT;*WAI	'Starts the measurement and waits for
	'termination
FORM ASC	'Selects output format
ADEM:FM:RES? AVER	'Reads FM average result data
ADEM:FM:RES? MAXH	'Reads FM Maxhold result data
ADEM:FM:RES? MINH	'Reads FM Minhold result data
ADEM:AM:RES? WRIT	'Reads current AM result data
ADEM:FM:AFSP:RES? WRIT	'Reads current AF spectrum result data
	'of demodulated FM signal

**Characteristics:** \*RST value: -  
 SCPI: device-specific

**Mode:** FM

This command is only available with option FS-K7 (FM demodulator).

**[SENSe:]ADEMod:FM:OFFSet? <result type>**

This command calculates the FM offset of the currently available measurement data set. If averaging has been activated before acquiring the data set (using [SENSe:]ADEMod:FM[:TYPE]), the averaged FM offset over several measurements can be obtained as well by setting <result type> = AVERage.

The offset thus determined differs from that calculated in the command CALC:MARK:FUNC:ADEM:FERR?, since using that command, for determination of the frequency deviation, the modulation is removed by means of lowpass filtering, producing results that are different from those obtained by averaging.

**Parameters:** <result type>: IMMEDIATE The current measurement results will be used for calculating the FM offset  
 AVERage The measurement results that were averaged over the given # of measurements will be used for calculating the FM offset

**Note:**

*If no average measurement was active during the last measurement sequence only the command [SENSe:]ADEMod:FM:OFFSet? IMMEDIATE will return a valid result (data to calculate the offset are taken from the last measured data set). [SENSe:]ADEMod:FM:OFFSet? AVERage will cause a query error in this case.*

**Examples:**

ADEM:SET 8MHz,32000,EXT,POS,-500,30	'Sets up demodulator parameters to execute 30 measurements
ADEM:FM AVER,OFF,OFF	'Sets up FM results to do averaging
ADEM:AM OFF,OFF,OFF	'Sets up AM results to off
ADEM ON	'Switches on demodulator
INIT;*WAI	'Starts measurement and waits for sync
ADEM:FM:OFFS? IMM	'Reads FM offset of last measurement of the sequence of 30
ADEM:FM:OFFS? AVER	'Reads FM offset averaged over 30 measurements

**Characteristics:** \*RST values: -  
SCPI: device-specific

**Mode:** FM

This command is only available with option FS-K7 (FM Demodulator).

### [SENSe:]ADEMod:AM[:TDOMain][:TYPE] <result type 1>,<result type 2>,<result type 3>

This command selects the result types to be measured in parallel by AM demodulation.

**Parameter:**

<result type 1/2/3>:

WRITe	The current measured values are recorded.
AVERage	The measurement results are averaged over the given number of measurements.
MAXHold	The maximum result over the given number of measurements is obtained.
MINHold	The minimum result over the given number of measurements is obtained.
VIEW	The measurement result is frozen on the display, i.e. it is not recalculated in further measurements.
OFF	The result type is not used.

**Notes:**

*Settings different from OFF can only be assigned to one result type at a time.*

*By setting all result types to OFF the AM demodulator is deactivated.*

**Examples:**

ADEM:FM AVER,MAXH,MINH	'Determines average, maximum and minimum value at a time
ADEM:AM WRIT,OFF,OFF	'Determines the current measured values only
ADEM:AM OFF,OFF,OFF	'Switches off the AM demodulator

**Characteristics:** \*RST values: WRITe,OFF,OFF  
SCPI: device-specific

**Mode:** A

This command is only available with option FS-K7 (FM demodulator).

**[SENSe:]ADEMod:AM[:TDOMain]:RESult?<result type>**

This command reads the result data obtained by AM demodulation depending on the type indicated as a parameter. The data format of the output data is defined by the FORMat command.

**Note:**

The query of traces in the VIEW state is not possible.

**Parameter:**

<result type>:

WRITe	The current measurement results are obtained.
AVERage	The measurement results averaged over the given number of measurements are obtained.
MAXHold	The maximum result is determined over the given number of measurements.
MINHold	The minimum result is determined over the given number of measurements.

**Note:**

The result type indicated must be one of those configured by [SENSe:]ADEMod:AM[:TDOMain][:TYPE]. Otherwise a query error will be generated.

**Return values:****ASCII format (FORMat ASCII):**

In this case the command will yield a list of comma-separated values (CSV) of the measured values in floating point format. The output unit is %.

**Binary format (FORMat REAL,32):**

In this case the command will yield binary data (definite length block data according to IEEE 488.2), each measured value being formatted in the 32-bit IEEE 754 floating point format. The schematics of the result string will be as follows:

```
#41024<value1><value2>...<value n>
```

with

```
#4      number of digits (4 in the example) in the following number of data bytes
1024   number of following data bytes (# of DataBytes, = 1024 in the example)
<value x> 4-byte floating point value
```

**Examples:**

```
ADEM:SET 8MHz,32000,EXT,POS,-500,30 'Set up demodulator parameters
ADEM:FM AVER,MAXH,MINH 'Select FM results to measure
ADEM:AM WRIT,OFF,OFF 'Select AM results to measure
ADEM ON 'Switch on demodulator
INIT;*WAI 'Start measurement and wait 'for end
FORM ASC 'select output format
ADEM:FM:RES? AVER 'Read FM average results
ADEM:FM:RES? MAXH 'Read FM Maxhold results
ADEM:FM:RES? MINH 'Read FM Minhold results
ADEM:AM:RES? WRIT 'Read current AM results
```

**Characteristics:** \*RST value: -  
SCPI: device-specific

**Mode:** FM

The command is only available with option FS-K7 (FM demodulator).

COMMAND	PARAMETERS	UNIT	COMMENT
[SENSe<1 2>] :ADEMod :SPECtrum :BANDwidth [:RESolution] :BWIDth [:RESolution] :SPAN [:MAXimum] :ZOOM [:TYPE]  :RESult?  :ZOOM [:STATe] :STARt	<numeric_value>  <numeric_value>  <numeric_value> <numeric_value>  WRITe   AVERage   MAXHold   MINHold   VIEW   OFF, WRITe   AVERage   MAXHold   MINHold   VIEW   OFF, WRITe   AVERage   MAXHold   MINHold   VIEW   OFF  WRITe   AVERage   MAXHold   MINHold	HZ  HZ  HZ HZ      S	Option FM demodulator

**[SENSe:]ADEMod:SPECtrum:BANDwidth|BWIDth[:RESolution]** 1 Hz to 10 MHz

This command sets the resolution bandwidth for spectrum representation that was determined from the analog demodulation data.

The recording time required is calculated from the and the sampling rate indirectly set via ADEM:SPEC:SPAN:MAX or ADEM:BAND. If the available recording time is not sufficient for the given bandwidth, the recording time is set to its maximum and the resolution bandwidth is enlarged to the resulting bandwidth.

**Example:** "ADEM ON" ' Switches on the FM demodulator  
 "CALC:FEED XTIM:SPEC ' ' Switches on the result display RF spectrum  
 or "CALC:FEED XTIM:FM:AFSP ' ' Switches on the result display AF spectrum  
 'of FM  
 or "CALC:FEED XTIM:RFP:AFSP ' 'Switches on the result display AF spectrum  
 'of RF power signal  
 "ADEM:BAND:RES 61.2kHz " 'Sets the resolution bandwidth to 61.2 kHz.

**Characteristics:** \*RST value: 61.2 kHz  
 SCPI: device-specific

**Mode:** FM

This command is only available with option FS-K7 (FM Demodulator).

**[SENSe:]ADEMod:SPECtrum:SPAN[:MAXimum]** <numeric\_value>

This command sets the maximum frequency range for displaying the RF spectrum that was determined from the FM demodulation data. The maximum span corresponds to the measurement bandwidth of analog demodulation (SENS:ADEM:BAND).

Only discrete values are possible for the span since the available sampling rates are discrete.

Span	Sampling rate
10 MHz	32 MHz
8 MHz	16 MHz
5 MHz	8 MHz
3 MHz	4 MHz
1.6 MHz	2 MHz
800 kHz	1 MHz
400 kHz	500 kHz
200 kHz	250 kHz
100 kHz	125 kHz
50 kHz	62.5 kHz
25 kHz	31.25 kHz
12.5 kHz	15.625 kHz

**Example:**

```
"ADEM ON"           'Switches on the FM demodulator
"CALC:FEED 'XTIM:SPEC' 'Switches on result display RF spectrum
"ADEM:SPEC:SPAN:MAX 5 MHz" 'Sets the max. span to 5 MHz
"ADEM:SPEC:SPAN:ZOOM 1 MHz" 'Sets the displayed span to 1 MHz
```

**Characteristics:** \*RST value: 5 MHz  
SCPI: device-specific

**Mode:** FM

This command is only available with option FS-K7 (FM Demodulator).

#### [SENSe:]ADEMod:SPECTrum:SPAN:ZOOM <numeric\_value>

This command sets the frequency range for result display of RF spectrum determined from FM demodulation data. The frequency range for result display is limited to the maximum span (SENS:ADEM:SPEC:SPAN:MAX) or to the measurement bandwidth of analog demodulation (SENS:ADEM:BAND).

**Example:**

```
"ADEM ON"           'Switches on the FM demodulator
"CALC:FEED 'XTIM:SPEC' 'Switches on result display RF spectrum"
"ADEM:SPEC:SPAN:MAX 5 MHz" 'Sets the maximum span to 5 MHz
"ADEM:SPEC:SPAN:ZOOM 1 MHz" 'Sets displayed span to 1 MHz
```

**Characteristics:** \*RST value: 5 MHz  
SCPI: device-specific

**Mode:** FM

This command is only available with option FS-K7 (FM demodulator).

**[SENSe:]ADEMod:SPECTrum[:TYPE]** <result type 1>,<result type 2>,<result type 3>

This command selects the result types to be created in parallel by the RF SPECTrum measurement with active analog demodulation.

<b>Parameters:</b> <result type 1/2/3>.: WRITe	The current measurement results will be obtained
AVERAge	The measurement results will be averaged over the given # of measurements
MAXHold	The maximum result values will be obtained over the given # of measurements
MINHold	The minimum result values will be obtained over the given # of measurements
VIEW	The measurement results are frozen and displayed, i.e. they are not calculated for subsequent measurements.
OFF	The result type will not be used.

**Notes:**

*Each value besides OFF can only be assigned to one result type at a time.*

<b>Examples:</b>	ADEM:SPEC AVER,MAXH,MINH	'Creates average, max hold and min hold values at a time
	ADEM:SPEC WRIT,OFF,OFF	'Only creates the current measurement values
	ADEM:SPEC OFF,OFF,OFF	'Switches FM demodulation off

**Characteristics:** \*RST values: OFF,OFF,OFF  
SCPI: device-specific

**Mode:** FM

This command is only available with option FS-K7 (FM Demodulator).

**[SENSe:]ADEMod:SPECTrum:RESult?** <result type>

This command reads the result data obtained by RF SPECTrum measurement depending on the type indicated as a parameter. The data format of the output data block is defined by the FORMat command.

**Note:** *It is not possible to read out trace data when result type VIEW is selected.*

<b>Parameters:</b> <result type>: WRITe	The current measurement results will be obtained
AVERAge	The measurement results will be averaged over the given # of measurements
MAXHold	The maximum result values will be obtained over the given # of measurements
MINHold	The minimum result values will be obtained over the given # of measurements

**Notes:**

*The result type indicated must be one of those configured by [SENSe:]ADEMod:SPEC[:TYPE]. Otherwise a query error will be generated.*

**Return Values:****ASCII Format (FORMat ASCII):**

In this case the command will yield a list of comma separated values (CSV) of the measured values in floating point format. The output unit is dBm.

**Binary Format (FORMat REAL,32):**

In this case the command will yield binary data (Definite Length Block Data according to IEEE 488.2), each measurement value being formatted in 32 Bit IEEE 754 Floating-Point-Format. The schematics of the result string will be as follows:

#41024<value1><value2>...<value n>

with

#4                    number of digits (= 4 in the example) of the following number of data bytes

1024                number of following data bytes (= 1024 in the example)

<value x>        4-Byte-Floating Point Value

<b>Examples:</b>	ADEM:SET 8MHz, 32000, EXT, POS, -500, 30	'Sets up demodulator parameters
	ADEM:SPEC AVER, MAXH, MINH	'Sets up RF spectrum results
		'to measure
	ADEM:SPEC WRIT, OFF, OFF	'Sets up AM results to measure
	ADEM ON	'Switches on demodulator
	INIT; *WAI	'Starts measurement and waits
		'for sync
	FORM ASC	'Selects output format
	ADEM:SPEC:RES? AVER	'Reads RF spectrum average
		'results
	ADEM:SPEC:RES? MAXH	'Reads RF spectrum max hold
		'results
	ADEM:SPEC:RES? MINH	'Reads RF spectrum min hold
		'results
	ADEM:SPEC:RES? WRIT	'Reads spectrum current results

**Characteristics:** \*RST values: -  
SCPI: device-specific

**Mode:** FM

This command is only available with option FS-K7 (FM Demodulator).

**[SENSe<1|2>:]ADEMod:ZOOM[:STATe>] ON | OFF**

The command enables or disables the zoom function for the FM-demodulator measurement data. Depending on the selected measurement time and the demodulation bandwidth, the number of recorded test points may be greater than that shown on the display.

With the zoom function enabled, exactly 501 test points of the result memory are displayed from the time defined with [SENS:]ADEM:ZOOM:START.

With the zoom function disabled, data reduction is used to adapt the test points to the number of points available on the display.

**Example:** "ADEM:ZOOM ON"                    'Switches on the zoom function

**Characteristics:** \*RST value: OFF  
SCPI: device-specific

**Mode:** FM

This command is only available with option FS-K7 (FM demodulator) installed

**[SENSe<1|2>:]ADEMod:ZOOM:STARt** 0s to measurement time

The command selects the start time for the display of individual measured values of the FM demodulator. The maximum possible value depends on the measurement time, which is set in the instrument and can be queried with command [SENSe]:ADEMod:MTIME?.

If the zoom function is activated, 501 test points are displayed from the specified start time.

**Example:** "ADEM:ZOOM ON" 'Switches on the zoom function  
"ADEM:ZOOM:STAR 500uS" 'Sets the starting point of the display to 500  $\mu$ s.

**Characteristics:** \*RST value: 0 s  
SCPI: device-specific

**Mode:** FM

This command is only available with option FS-K7 (FM demodulator) installed



## SENSe:AVERage Subsystem

The SENSe:AVERage subsystem calculates the average of the acquired data. A new test result is obtained from several successive measurements.

There are two types of average calculation: logarithmic and linear. In case of logarithmic average calculation (denoted with VIDEo), the average value of the measured logarithmic power is calculated and in case of linear average calculation, the linear power is averaged before the logarithm is applied.

The measurement windows are selected by SENSe1 (screen A) and SENSe2 (screen B).

COMMAND	PARAMETERS	UNIT	COMMENT
[SENSe<1 2>] :AVERage :COUNT [:STATe<1 to 3>] :TYPE	<numeric_value> <Boolean> VIDeO   LINear	-- -- --	

### [SENSe<1|2>:]AVERage:COUNT 0 to 32767

This command defines the number of measurements which contribute to the average value.

It should be noted that continuous averaging will be performed after the indicated number has been reached in continuous sweep mode.

In single sweep mode, the sweep is stopped as soon as the indicated number of measurements (sweeps) is reached. Synchronization to the end of the indicated number of measurements is only possible in single sweep mode.

The command [SENSe<1 | 2>:]AVERage:COUNT is the same as command [SENSe<1 | 2>:]SWEep:COUNT. In both cases, the number of measurements is defined whether the average calculation is active or not.

The number of measurements is valid for all traces in the indicated measurement window.

**Example:**

"SWE:CONT OFF"	Switching to single-sweep mode.
"AVER:COUN 16"	'Sets the number of measurements to 16.
"AVER:STAT ON"	'Switches on the calculation of average.
"INIT;*WAI"	'Starts the measurement and waits for the end of the 16 sweeps.

**Characteristics:** \*RST value: 0  
SCPI: conforming

**Mode:** all

### [SENSe<1|2>:]AVERage[:STATe<1 to 3>] ON | OFF

This command switches on or off the average calculation for the selected trace (STATe<1 to 3>) in the selected measurement window.

**Example:**

"AVER OFF"	'Switches off the average calculation for trace 1 in screen A.
"SENS2:AVER:STAT3 ON"	'Switches on the average calculation for trace 3 in screen B.

**Characteristics:** \*RST value: OFF  
SCPI: conforming

**Mode:** all

**[SENSe<1|2>:]AVERage:TYPE** VIDEo | LINear

This command selects the type of average function. If VIDEo is selected, the logarithmic power is averaged and, if LINear is selected, the power values are averaged before they are converted to logarithmic values.

The type of average calculation is equally set for all traces in one measurement window.

**Example:** "AVER:TYPE LIN" 'Switches screen A to linear average calculation.

**Characteristics:** \*RST value: VIDEo  
SCPI: device-specific

**Mode:** A, GSM/EDGE

## SENSe:BANDwidth Subsystem

This subsystem controls the setting of the instrument's filter bandwidths. Both groups of commands (BANDwidth and BWIDth) perform the same functions. The measurement windows are selected by SENSe1 (screen A) and SENSe2 (screen B).

COMMAND	PARAMETERS	UNIT	COMMENT
[SENSe<1 2>] :BANDwidth			
[:RESolution]	<numeric_value>	HZ	
:AUTO	<Boolean>	--	
:RATio	<numeric_value>	--	
:TYPE	NORMal   FFT   CFILter   RRC   NOISe   PULSe	--	
:VIDeo	<numeric_value>	HZ	
:AUTO	<Boolean>	--	
:RATio	<numeric_value>	--	
:TYPE	LINear   LOGarithmic		Option FM demodulator
:DEMod	<numeric_value>	HZ	
:BWIDth			
[:RESolution]	<numeric_value>	HZ	
:AUTO	<Boolean>	--	
:RATio	<numeric_value>	--	
:TYPE	NORMal   FFT   CFILter   RRC	--	
:VIDeo	<numeric_value>	HZ	
:AUTO	<Boolean>	--	
:RATio	<numeric_value>	--	
:TYPE	LINear   LOGarithmic		Option FM demodulator
:DEMod	<numeric_value>	HZ	

### [SENSe<1|2>]:BANDwidth|BWIDth[:RESolution] <numeric\_value>

This command defines the analyzer's resolution bandwidth. This corresponds to the IF bandwidth of the demodulator in FM demodulator mode.

Analog resolution filters from 10 Hz to 10 MHz in 1, 3, 10 steps are available. These filters are implemented as 4-circuit LC filters in the range from 300 kHz to 10 MHz and as digital filters with analog characteristic in the range of 10 Hz to 100 kHz.

In addition, the EMI bandwidths 200 Hz, 9 kHz and 120 kHz are available (6 dB bandwidths each). These bandwidths can only be obtained by entering numeric values and not with the commands INCrement and DECrement.

FFT filters from 1 Hz to 30 kHz (3 dB bandwidth each) are also available in the frequency domain (span > 0) for fast measurements on periodic signals. The instrument automatically switches to analog filters above 30 kHz.

A number of especially steep-edged channel filters can be selected from firmware version 1.10 or higher provided that parameters CFILter or RRC are selected using the BAND:TYPE command. The possible combinations of filter type and filter bandwidth are listed in the table "List of available channel filters" of chapter 4, section "Setting Bandwidths and Sweep Time— Key BW".

If the resolution bandwidth is modified in SPECTRUM mode, the coupling to the span is automatically switched off.

If the resolution bandwidth is modified in FM DEMOD mode, the coupling to the demodulation bandwidth is automatically switched off.

**Note:** This command is not available for GSM/EDGE measurements modulation accuracy (MAC), phase/frequency error (PFE) and power versus time (PVT). During these measurements the bandwidth is selected due to GSM standard.

**Example:** "BAND 1MHz" 'Sets the resolution bandwidth to 1 MHz

**Characteristics:** \*RST value: - (AUTO is set to ON)  
SCPI: conforming

**Mode:** all

#### [SENSe<1|2>:]BANDwidth|BWIDTH[:RESolution]:AUTO ON | OFF

In SPECTRUM mode, this command either automatically couples the resolution bandwidth of the instrument to the span or cancels the coupling. In FM DEMOD mode, this command either automatically couples the IF bandwidth of the instrument to the demodulation bandwidth or cancels the coupling ( $BW_{RBW} = 10 * BW_{Demod}$ ).

In FM DEMOD mode, the coupling refers to the demodulation bandwidth ( $BW_{RBW} = 10 * BW_{Demod}$ ).

The automatic coupling adapts the resolution bandwidth to the currently set frequency span according to the relationship between frequency span and resolution bandwidth. The 6 dB bandwidths 200 Hz, 9 kHz and 120 kHz and the channel filters available from Version 1.10 are not set by the automatic coupling.

The ratio resolution bandwidth/span can be modified with the command  
[SENSe<1|2>:]BANDwidth[:RESolution]:RATio.

**Note:** This command is not available for GSM/EDGE measurements modulation accuracy (MAC), phase/frequency error (PFE) and power versus time (PVT).

**Example:** "BAND:AUTO OFF" 'Switches off the coupling of the resolution bandwidth to 'the span (analyzer mode)..  
'Switches off the coupling of the IF bandwidth to the 'demodulation bandwidth (FM demod mode)

**Characteristics:** \*RST value: ON  
SCPI: conforming

**Mode:** A-F, FM

#### [SENSe<1|2>:]BANDwidth|BWIDTH[:RESolution]:RATio 0.0001 to 1

This command defines the ratio resolution bandwidth (Hz) / span (Hz). The ratio to be entered is reciprocal to the ratio span/RBW used in manual control.

**Example:** "BAND:RAT 0.1"

**Characteristics:** \*RST value: 0.02 with BAND:TYPE NORMal or RBW > 30 kHz  
0.01 with BAND:TYPE FFT for RBW ≤ 30 kHz  
SCPI: conforming

**Mode:** A, GSM/EDGE

**[SENSe<1|2>:]BANDwidth|BWIDth:RESolution]:TYPE** NORMal | FFT | CFILter | RRC

This command switches the filter type for the resolution bandwidth between "normal" analog or FIR filters in 1, 3, 10 steps and the FFT filtering for bandwidths <100 kHz.

The advantage of FFT filtering is the higher measurement speed compared to digital filters with analog filter characteristic. However, FFT filters are only suitable for periodic signals, and they are only available for span > 0 Hz.

From firmware version 1.10 onwards, steep-edged channel filters and filters with RRC (Root Raised Cosine) characteristic are available. The possible combinations of filter type and filter bandwidth are listed in the table "List of available channel filters" in chapter 4, section "Setting Bandwidths and Sweep Time– Key BW".

**Notes:** - When changing the filter type, the next larger filter bandwidth is selected if the same filter bandwidth is not available for the new filter type.

- This command is not available for GSM/EDGE measurements modulation accuracy (MAC), phase/frequency error (PFE), power versus time (PVT) and carrier power (CPW).

**Example:** "BAND:TYPE NORM"

**Characteristics:** \*RST value: NORMal  
SCPI: device-specific

**Mode:** all

**[SENSe<1|2>:]BANDwidth|BWIDth:VIDeo** 1Hz to 10MHz

This command defines the instrument's video bandwidth. Bandwidths from 10 Hz to 10 MHz in 1, 3, 10 steps are available. The command is not available if FFT filtering is switched on and the set bandwidth is ≤ 30 kHz or if the quasi-peak detector is switched on.

**Note:** This command is not available for GSM/EDGE measurements modulation accuracy (MAC), phase/frequency error (PFE) and power versus time (PVT).

**Example:** "BAND:VID 10kHz"

**Characteristics:** \*RST value: - (AUTO is set to ON)  
SCPI: conforming

**Mode:** A, GSM/EDGE

**[SENSe<1|2>:]BANDwidth|BWIDth:VIDeo:AUTO** ON | OFF

This command either automatically couples the instrument's video bandwidth to the resolution bandwidth or cancels the coupling.

The ratio video bandwidth/resolution bandwidth can be modified with the command [SENSe<1|2>:]BANDwidth:VIDeo:RATio.

**Note:** This command is not available for GSM/EDGE measurements modulation accuracy (MAC), phase/frequency error (PFE) and power versus time (PVT).

**Example:** "BAND:VID:AUTO OFF"

**Characteristics:** \*RST value: ON  
SCPI: conforming

**Mode:** A, GSM/EDGE

**[SENSe<1|2>:]BANDwidth|BWIDth:VIDeo:RATio** 0.01 to 1000

This command defines the ratio video bandwidth (Hz) / resolution bandwidth (Hz). The ratio to be entered is reciprocal to the ratio RBW/VBW used in manual control.

**Note:** This command is not available for GSM/EDGE measurements modulation accuracy (MAC), phase/frequency error (PFE) and power versus time (PVT).

**Example:** "BAND:VID:RAT 3" 'Sets the coupling of video bandwidth to video bandwidth = 3\*resolution bandwidth

**Characteristics:** \*RST value: 3  
SCPI: conforming

**Mode:** A, GSM/EDGE

**[SENSe<1|2>:]BANDwidth|BWIDth:VIDeo:TYPE** LINear | LOGarithmic

This command selects the position of the video filter in the signal path, provided that the resolution bandwidth is  $\leq 100$  kHz:

- If LINear is selected, the video filter is connected ahead of the logarithmic amplifier (default)
- If LOGarithmic is selected, the video filter follows the logarithmic amplifier

The essential difference between the two modes is the transient response at falling signal edges: If LINear is selected, the measurement with logarithmic level scaling yields a much "flatter" falling edge than LOGarithmic.

This behaviour is due to the conversion of linear power into logarithmic level. If the linear power is halved, the level decreases by only 3 dB.

**Example:** "BAND:VID:TYPE LIN" 'Video filter ahead of the logarithmic amplifier

**Characteristics:** \*RST value: LIN  
SCPI: device-specific

**Mode:** A

This command is available from firmware version 1.40 or higher.

[SENSe<1|2>:]BANDwidth|BWIDth:DEMod <numeric-value>

This command defines the demodulation bandwidth of the instrument for analog demodulation. The required sampling rate is automatically set depending on the selected demodulation bandwidth. The available demodulation bandwidths are determined by the existing sampling rates.

roanded demodulation bandwidth	Sampling rate
10 MHz	32 MHz
8 MHz	16 MHz
5 MHz	8 MHz
3 MHz	4 MHz
1.6 MHz	2 MHz
800 kHz	1 MHz
400 kHz	500 kHz
200 kHz	250 kHz
100 kHz	125 kHz
50 kHz	62.5 kHz
25 kHz	31.25 kHz
12.5 kHz	15.625 kHz

**Example:** "ADEM:BAND:DEMod 1MHz" 'Sets demodulation bandwidth to 1 MHz.

**Characteristics:** \*RST value: 5 MHz  
SCPI: device specific

**Mode:** FM

This command is only available with option FS-K7 (FM Demodulator).

## SENSe:CDPower Subsystem

This subsystem controls the parameters for the Code Domain Power measurement in operating mode WCDMA FDD BTS and UE (FS-K72/K73) and cmda2000 BTS (FS-K82) and 1xEV-DO (FS-K84). The suffix in SENSe<1|2> is not significant in this subsystem and will be ignored.

Command	Parameter	Unit	Comment
[SENSe<1 2>] :CDPower			option FS-K72, FS-K73 or K82/K84 K72/73 only
:PRESet			
:PNOFFset	<numeric_value>	DB	
:ICTReshold	<numeric_value>		
:SBANd	NORMal   INVerse		
:LEVel			
:ADJust			
:LCODE			
[:VALue]	<hex>	--	
:TYPE	LONG   SHORT	--	FS-K73 only
:MASK	<string>	--	FS-K83 only
:OFFSet	<string>	--	FS-K83 only
:CODE	<numeric_value>	--	
:SLOT	<numeric_value>	--	
:MMODE	AUTO   IOQ   COMPLex	--	FS-K84 only
:MAPPING	I   Q	--	FS-K73/K84 only
:SFACtor	4   8   16   32   64   128   256   512	--	FS-K72/K73/K82 only
:NORMalize	<Boolean>	--	
:QINVert	<Boolean>	--	
:PCONtrol	PILot   SLOT	--	FS-K72 only
:PREFerece	TOTAL   CPICH   PICH	--	FS-K72/K82 only
:STYPE	CPICH   SCHannel	--	FS-K72/73 only
:ANTenna	OFF   <numeric_value>	--	FS-K72/K82 only
:BASE	SLOT   FRAME	--	FS-K73
:IQLength	<numeric_value>	--	FS-K82/K84 only
:ORDER	HADamard   BITReverse	--	FS-K82 only
:TPMeas	<Boolean>	--	FS-K82/K84 only
:CTYPE	PILot   MAC   PREamble   DATA	--	FS-K84 only
:OVERview	<Boolean>	--	FS-K84 only
:AVERage	<Boolean>	--	FS-K84 only

### [SENSe<1|2>]:CDPower:PRESet

This command is for CDP presetting.

Inactive Channel Threshold     -23 dB  
Limits                             set to standard  
Result display                     3G FDD

**Example:**                       " :CDP:PRESet "

**Characteristics:** \*RST value: -  
SCPI:                             device-specific

**Mode:**                         3G FDD

This command is an <Event> and therefore has no \*RST value and no query.



**[SENSe:]CDPower:PNOffset 0...511**

This command sets the PN offset of the base station in multiples of 64 chips.

**Example:** "INST:SEL BC2K" 'Activate cdma2000 BTS, implicit are  
 'CDP relative on screen A and  
 'result summary active on screen B  
 "INIT:CONT OFF" 'Select single sweep  
 "CDP:PNOF 45" 'Set PN offset  
 "INIT;\*WAI" 'Start measurement with  
 'synchronization

**Features:** \*RST value: 0  
 SCPI: device-specific

**Mode:** cmda2000 BTS

**[SENSe<1|2>:]CDPower:ICTReshold -100 to 10dB**

This command sets the threshold value in the Code Domain Power diagram from which a channel is treated as active. The level entered refers to the total signal power.

**Example:** ":CDP:ICTR -10DB" 'Sets the threshold value to -10 dB

**Characteristics:** \*RST value: -20dB (FS-K72), -40dB (FS-K84)  
 SCPI: device-specific

**Mode:** 3G FDD, cdma2000 BTS, 1xEV-DO BTS

**[SENSe<1|2>:]CDPower:SBANd NORMal | INVerse**

This command is for interchanging the left and the right sideband.

**Example:** ":CDP:SBAN INV" 'Interchanges the sidebands

**Characteristics:** \*RST value: NORM  
 SCPI: device-specific

**Mode:** 3G FDD BTS, cdma2000 BTS, 1xEV-DO BTS

**[SENSe<1|2>:]CDPower:LEVel:ADJust**

This command is used for setting automatically the RF attenuation and IF gain to the level of the applied signal. The instrument is to be switched to the *ATTEN MANUAL* mode so as to set the RF attenuation and IF gain separately to optimum values. This mode is maintained after changing from code-domain power measurements to the analyzer or vector analyzer modes.

**Example:** ":CDP:LEV:ADJ" 'Automatically sets the level

**Characteristics:** \*RST value: -  
 SCPI: device-specific

**Mode:** 3G FDD BTS, cdma2000 BTS, 1xEV-DO BTS

This command is an <Event> and therefore has no \*RST value and no query.

[SENSe<1|2>:]CDPower:LCODE[:VALue] <hex>

This command sets the long code (scrambling code) in hexadecimal format.

**Example:** " :CDP:LCOD #H3B " 'Sets the long code to 3B Hex

**Characteristics:** \*RST value: 0  
SCPI: device-specific

**Mode:** 3G FDD

[SENSe<1|2>:]CDPower:LCODE:TYPE LONG | SHORT

This command switches the scrambling code between long and short.

**Example:** " :CDP:LCOD:TYPE SHOR " 'Switches to short scrambling code

**Characteristics:** \*RST value: LONG  
SCPI: device-specific

**Mode:** 3G FDD UE

**Command for option FS-K72/K73 WCDMA 3G FDD BTS/UE:**

[SENSe<1|2>:]CDPower:CODE 0 to 511

This command sets the code number. The code number refers to code class 9. .

**Example:** " :CDP:CODE 30 " 'Selects code number 30

**Characteristics:** \*RST value: 0  
SCPI: device-specific

**Mode:** 3G FDD

**Command for option FS-K82 cdma2000 BTS:**

[SENSe:]CDPower:CODE 0 ... 127

This command selects the code number. The maximum value depends on the base spreading factor.

**Example:** " INST:SEL BC2K " 'Activate cdma2000 BTS, implicit are  
'CDP relative on screen A and  
'result summary active on screen B  
" INIT:CONT OFF " 'Select single sweep  
" CDP:CODE 11 " 'Select code number 11  
" INIT;\*WAI " 'Start measurement with  
'synchronization

**Features:** \*RST value: 0  
SCPI: device-specific

**Mode:** cmda2000 BTS

**Command for option FS-K84 1xEV-DO BTS:****:[SENSe:]CDPower:CODE** <numeric value>

This command selects the code number. The maximum value depends on the spreading factor of the channel type. PILOT/PREAMBLE: 0..31, DATA: 0..15, MAC: 0..63.

**Example:** "INST:SEL BDO" 'Activate 1xEV-DO BTS, implicit are  
 "INIT:CONT OFF" 'CDP Relative active on screen A and  
 "CDP:CODE 11" 'General Results on screen B  
 "INIT;\*WAI" 'Select single sweep  
 'Select code number 11  
 'Start measurement with sync

**Features:** \*RST value: 0  
 SCPI: device-specific

**:[SENSe:]CDPower:SLOT** 0 ...IQLength-1

This command selects the power control group (PCG).

**Example:** "INST:SEL BC2K" 'Activate cdma2000 BTS, implicit are  
 "INIT:CONT OFF" 'CDP relative on screen A and  
 "CDP:SLOT 3" 'result summary active on screen B  
 "INIT;\*WAI" 'Select single sweep  
 'Select power control group 3  
 'Start measurement with 'synchronization

**Features:** \*RST value: 0  
 SCPI: device-specific

**Mode:** cdma2000 BTS, 1xEV-DO BTS**:[SENSe:]CDPower:MMODE** AUTO | IOQ | COMPlEx

This command defines the mapping mode. With AUTO, internal working takes place in "Complex" mapping mode for the DATA channel type and "I or Q" for the PILOT, MAC and PREAMBLE channel types. With this command, each mapping mode can be determined personally for all channel types, or it is possible to return to AUTO.

**Example:** "INST:SEL BDO" 'Activate 1xEV-DO BTS, implicit are  
 "INIT:CONT OFF" 'The PILOT channel type and the I  
 "CDP:MMODE COMP" 'branch are selected  
 "INIT;\*WAI" 'Select single sweep  
 'The pilot channel type is analyzed  
 'Complex  
 'Start measurement with sync

**Features:** \*RST value: AUTO  
 SCPI: device-specific

**[SENSe<1|2>:]CDPower:SLOT** 0 to 14

This command sets the slot number.

**Example:** " :CDP:SLOT 3 " 'Selects slot number 3

**Characteristics:** \*RST value: 0  
 SCPI: device-specific

**Mode:** 3G FDD**[SENSe<1|2>:]CDPower:MAPPING** I | Q

This command defines the mapping of the CDP signal.

**Example:** " :SENS:CDP:MAPP I " 'Selects I-mapping

**Characteristics:** \*RST value: Q  
SCPI: device-specific

**Mode:** 3G FDD UE 1xEV-DO BT

**Command for option FS-K72/K73 WCDMA 3G FDD BTS/UE:**

[SENSe<1|2>:]CDPower:SFACTOR 4 | 8 | 16 | 32 | 64 | 128 | 256 | 512

This command defines the spreading factor.

**Note:**

Setting 512 is not possible for mobile station tests (FS-K73).

**Example:** " :CDP:SFACTOR 16 " 'Selects spreading factor 16

**Characteristics:** \*RST value: 512 (FS-K72)  
\*RST value: 256 (FS-K73)  
SCPI: device-specific

**Mode:** 3G FDD

**Command for option FS-K82 cdma2000 BTS:**

[SENSe:]CDPower:SFACTOR 64 | 128

This command defined the base spreading factor. The base spreading factor should be set to 128 when there are channels of code class 7 (spreading factor 128), since alias power values will otherwise be measured for the code domain power analysis.

**Example:** " INST:SEL BC2K " 'Activate cdma2000 BTS, implicit are  
'CDP relative on screen A and  
'result summary active on screen B  
" INIT:CONT OFF " 'Select single sweep  
" CDP:SFAC 128 " 'Select base spreading factor 128  
" INIT;\*WAI " 'Start measurement with synchronization

**Features:** \*RST value: 64  
SCPI: device-specific

**Mode:** cmda2000 BTS

**[SENSe<1|2>:]CDPower:NORMALIZE ON | OFF**

This command switches normalization of the unit circle with the IQ offset on or off.

**Example:** " :CDP:NORM OFF " 'Switches normalization off

**Characteristics:** \*RST value: OFF  
SCPI: device-specific

**Mode:** 3G FDD

**[SENSe<1|2>:]CDPower:QINVert ON | OFF**

This command inverts the Q component of the signal.

**Example:** " : CDP : QINV ON " 'Switches on inversion of Q component

**Characteristics:** \*RST value: OFF  
SCPI: device-specific

**Mode:** 3G FDD, cdma2000 BTS, 1xEV-DO BTS

**[SENSe<1|2>:]CDPower:PCONtrol PILot | SLOT**

This command sets the position of the power control. A distinction is made between the *compressed mode* with power control at the slot limit (SLOT) and a power control at the beginning of the pilot symbols (PILot).

**Note:**

*To obtain correct measurement results under active compressed mode, a predefined channel configuration has to be selected and activated.*

**Example:** " : CONF : WCDP : CTAB ON " 'activates the use of predefined  
'channel tables  
" : CONF : WCDP : CTAB : SEL "CTAB\_1 " 'selects the channel table with the name  
'CTAB\_1  
" : CDP : PCON SLOT " 'activates the compressed mode

**Properties:** \*RST value: PILot  
SCPI: device-specific

**Mode:** 3G FDD BTS

**Command for option FS-K72/K73 WCDMA 3G FDD BTS/UE:****[SENSe<1|2>:]CDPower:PREFerence TOTal | CPICh**

This command switches between the use of total power or CPICH power as reference for the relative CDP measurement values.

**Example:** " : CDP : PREF CPIC " 'Selects CPICH as reference for the relative CDP  
measurement values

**Characteristics:** \*RST value: TOTal  
SCPI: device-specific

**Mode:** 3G FDD BTS

**Command for option FS-K82 cdma 2000 BTS:****[SENSe<1|2>:]CDPower:PREFeRence TOTal | PICH**

This command sets the reference for the relative CDP measured values to the total power or the PICH power (with antenna 2 the TDPICH power is used).

**Example:** "INST:SEL BC2K" 'Activate cdma2000 BTS, implicit are  
"INIT:CONT OFF" 'CDP relative on screen A and  
"CDP:PREF PICH" 'result summary active on screen B  
"INIT;\*WAI" 'Select single sweep  
'synchronization 'Reference is PICH power  
'Start measurement with

**Features:** \*RST value: TOTal  
SCPI: device-specific

**Mode:** cdma2000 BTS

**[SENSe<1|2>:]CDPower:STYPe CPICH | SCHannel**

This command selects the type of synchronization. With CPICH, the CPICH is used for synchronization and must, therefore, be contained in the signal. With SCH, synchronization is carried out without using the CPICH (necessary for test model 4 without CPICH).

**Example:** ":CDP:STYP SCH" 'Synchronization without CPICH

**Characteristics:** \*RST value: CPICH  
SCPI: device-specific

**Mode:** 3G FDD

**[SENSe<1|2>:]CDPower:ANTenna OFF | <numeric\_value>**

This command enables or disables antenna diversity and selects the antenna to be used. With OFF, the FS-K72 assumes that antenna diversity is not enabled. With 1/2, the special characteristics of the signals of antenna 1 or 2 are taken into account.

**Example:** ":CDP:ANT 1" 'The characteristics of antenna 1 are taken into account

**Characteristics:** \*RST value: OFF  
SCPI: device-specific

**Mode:** 3G FDD BTS, cdma2000 BTS

**[SENSe<1|2>:]CDPower:BASE SLOT | FRAME**

With FS-K73 this command defines whether the CDP measurements are to be based on the entire frame or only one slot.

With FS-K72 this command is not available.

**Example:** ":CDP:BASE SLOT"

**Eigenschaften:** \*RST value: SLOT  
SCPI: gerätespezifisch

**Mode:** 3G FDD UE

**Command for option FS-K82 cdma 2000 BTS and FS-K84 1xEV-DO BTS:****[SENSe:]CDPower:IQLength** FSU: 2...50, FSP: 2..12

This command sets the capture length in multiples of the power control group. The range is from 2 to 50 for Analyzer R&S FSU and from 2 to 12 for Analyzer R&S FSP.

**Example:**

"INST:SEL BC2K"	'Activate cdma2000 BTS, implicit are
	'CDP relative on screen A and
	'result summary active on screen B
"INIT:CONT OFF"	'Select single sweep
"CDP:IQL 8"	'8 PCGs Capture length
"INIT;*WAI"	'Start measurement with
'synchronization	

**Features:**

*RST value:	3
SCPI:	device-specific

**Command for option FS-K82 cdma 2000 BTS:****[SENSe:]CDPower:ORDER** HADamard | BITReverse

This command sets the order of the code domain evaluation. The codes are sorted either in Hadamard order or in BitReverse order.

**Example:**

"INST:SEL BC2K"	'Activate cdma2000 BTS, implicit are
	'CDP relative on screen A and
	'result summary active on screen B
"INIT:CONT OFF"	'Select single sweep
"INIT;*WAI"	'Start measurement with'synchronization
"CDP:ORD HAD"	'Hadamard order
"TRAC? TRACE2"	'Read out CDP in Hadamard order
"CDP:ORD BITR"	'BitReverse order
"TRAC? TRACE2"	'Read out CDP in BitReverse order

**Features:**

*RST value:	HADamard
SCPI:	device-specific

**Command for option FS-K82 cdma2000 BTS and FS-K84 1xEV-DO BTS:****[SENSe:]CDPower:TPMeas** ON | OFF

This command allows specific activation and deactivation of the timing and phase offset evaluation of the channels for the pilot channel. If the value is OFF or more than 50 channels are active, the value '9' is returned as the result for the timing and phase offset for the commands TRACe? TRACe1 and CALC:MARK:FUNC:CDP:RES?. If the value is ON, the timing and phase offsets are calculated and returned.

**Example:**

"INST:SEL BC2K"	'Activate cdma2000 BTS, implicit are
	'CDP relative on screen A and
	'result summary active on screen B
"INIT:CONT OFF"	'Select single sweep
"CDP:TPM ON"	'Activate timing and phase
	'offset
"INIT;*WAI"	"Start measurement with'synchronization
'synchronization	
"CDP:SLOT 3"	'Selects power control group 3
"CDP:CODE 11"	'Select code number 11
"CALC:MARK:FUNC:CDP:RES? TOFF"	'Read out timing offset of the code
	'with number 11 in PCG 3
"CALC:MARK:FUNC:CDP:RES? POFF"	'Read out the phase offset of the code
	'with number 11 in PCG 3

**Features:**

*RST value:	OFF
SCPI:	device-specific

**Mode:** cmda2000 BTS

**Command for option FS-K84 1xEV-DO BTS:**

:[SENSe:]CDPower:CTYPe PILOT | MAC | PREamble | DATA

This command is used to select the channel type. The number of results then changes in most analyses, such as code domain power, symbol EVM, and bit stream, because either a different spreading factor or a different number of symbols is available for the analysis.

**Example:**

"INST:SEL BDO"	'Activate 1xEV-DO BTS, implicit are
"INIT:CONT OFF"	'The PILOT channel type is selected
"CDP:CTYP MAC"	'Select single sweep
"INIT;*WAI"	'MAC channel type is selected
	'Start measurement with sync

**Features:**

*RST value:	PILOT
SCPI:	device-specific

**Mode:** 1xEV-DO BTS

## :[SENSe:]CDPower:OVERview ON | OFF

This command can be enabled can be precisely enabled by means of ON when either the Code Domain Power or the Code Domain Error Power analysis is active. (Refer to the command CALC1:FEED). In Overview mode, the I branch of the signal is normally displayed on screen A and the Q branch of the signal on screen B with the CDP/CDEP. The branches can be read out separately by means of TRAC:DATA? TRACE1 and TRAC:DATA? TRACE2.

The previous analyses become active again when you exit Overview mode.

If an analysis other than Code Domain Power or Code Domain Error Power is selected when Overview mode is active, you exit Overview mode and the previous analysis is reset on the other screen.

**Example:**

"INST:SEL BDO"	'Activate 1xEV-DO BTS, implicit are
"INIT:CONT OFF"	'CDP Relative active on screen A and
"INIT;*WAI"	'General Results on screen B
"CDP:OVER ON"	'Select single sweep
	'Start measurement with sync
	'Activate Overview mode
	'CDP Relative on screen A I branch
	'CDP Relative on screen A Q branch
"TRAC? TRACE1"	'Read out CDP Relative of I branch
"TRAC? TRACE2"	'Read out CDP Relative of Q branch
"CDP:OVER OFF"	'Disable Overview mode:
	'CDP Relative active on screen A and
	'General Results on screen B

**Features:**

*RST value:	OFF
SCPI:	device-specific

**Mode:** 1xEV-DO BTS



**: [SENSe:]CDPower: AVERage ON | OFF**

This command can be precisely enabled by means of ON when the Code Domain Power analysis is active. (Refer to the command `CALC1: FEED`). If averaging is active, the CDP is calculated over all slots and displayed as called for by the 1xEV-DO Standard.

<b>Example:</b>	<pre>"INST:SEL BDO" "INIT:CONT OFF" "INIT;*WAI" "CDP:AVER ON"</pre>	<pre>'Activate 1xEV-DO BTS, implicit are 'CDP Relative active on screen A and 'General Results on screen B 'Select single sweep 'Start measurement with sync 'Activate averaging 'CDP Relative over all slots 'active on screen A</pre>
-----------------	---	---

<b>Features:</b>	<pre>*RST value: OFF SCPI: device-specific</pre>
------------------	--

<b>Mode:</b>	1xEV-DO BTS
--------------	-------------

## SENSe:CORRection Subsystem

This subsystem controls calibration and normalization during operation with the tracking generator options (B9/B10). The measurement windows are selected by SENSE1 (screen A) and SENSE2 (screen B).

**Note:** The commands of this subsystem are not available during GSM measurements.

COMMAND	PARAMETERS	UNIT	COMMENT
[SENSe<1 2>] :CORRection			Ttracking generator option
:METhod	TRANsmiSSion   REFLexion		
:COLLect			
[:ACQuire]	THRough   OPEN		no query e
[:STATe]	<Boolean>		
:RECall			no query
:EGain			Option FS-K8
:INPut			
[:MAGnitude]	<numeric_value>	DB	
:TRANsducer			
:SELect	<name>		
:UNIT	<string>		
:SCALing	LINear LOGarithmic		
:COMMeNT	<string>		
:DATA	<freq> , <level> ..	HZ , --	
[:STATe]	<Boolean>		
:DELete	--	--	no query
:VIEW	<Boolean>		
:YIG			
:TEMPerature			
[:AUTO]	<Boolean>		

### [SENSe<1|2>:]CORRection[:STATe] ON | OFF

This command activates/deactivates the normalization of the measurement results in the selected window provided that the tracking generator is active. The command is available only after acquisition of a reference trace for the selected type of measurement (transmission/reflection, see command [SENSe<1|2>:]CORRection:COLLect[:ACQuire]).

**Example:** "CORR ON " 'Activates normalization in screen A.

**Characteristics:** \*RST value: OFF  
SCPI: conforming

**Mode:** A

This command is only valid in conjunction with the tracking generator / ext. generator control option (B9/B10).

### [SENSe<1|2>:]CORRection:METhod TRANsmiSSion | REFLexion

This command selects the type of measurement with active tracking generator (transmission/reflection).

**Example:** "CORR:METh TRAN " 'Sets the type of measurement in screen A to "transmission".

**Characteristics:** \*RST value: TRANsmiSSion  
SCPI: device specific

**Mode:** A

This command is only valid in conjunction with the tracking generator / ext. generator control option (B9/B10).

**[SENSe<1|2>:]CORRection:COLLect[:ACQuire] THROugh | OPEN**

When the tracking generator is active, this command determines the type of result acquisition for the normalization reference measurement and starts the measurement selected:

THROugh           "TRANsmission" mode:      calibration with direct connection between tracking generator and device input.  
                       "REFLection" mode:        calibration with short circuit at the input  
 OPEN               only valid in "REFLection" mode:   calibration with open input

To obtain a valid reference measurement, a complete sweep with synchronization to the end of the sweep must have been carried out. This is only possible in the single sweep mode.

**Example:**           "INIT:CONT OFF"           'Selects single sweep operation  
                       "CORR:COLL THR;\*WAI"       'Starts the measurement of reference data using 'direct connection between generator and device 'input and waits for the sweep end.

**Characteristics:** \*RST value:   --  
                       SCPI:           conforming

**Mode:**            A

This command is an "event" and therefore has no \*RST value and no query.  
 It is only valid in conjunction with the tracking generator/external generator option (B9/B10).

**[SENSe<1|2>:]CORRection:RECall**

This command restores the instrument setting that was valid for the measurement of the reference data, provided that the tracking generator is active.

**Example:**           "CORR:REC"

**Characteristics:** \*RST value:   -  
                       SCPI:           conforming

**Mode:**            A

This command is an event and therefore has no \*RST value and no query.  
 This command is only valid in conjunction with the tracking generator / ext. generator control option (B9/B10).

**[SENSe<1|2>:]CORRection:EGain:INPut[:MAGNitude] -200...200dB**

This command makes an external gain known to the analyzer, which will take it into account during the display of measurement results. With this function the gain of an antenna or of an external preamplifier can be taken into account for the measurement values.

**Example:**           "CORR:EGA:INP 10DB "       'takes 10 dB external gain into account

**Characteristics:** \*RST value:   0dB  
                       SCPI:           device specific

**Mode:**            BT

**[SENSe<1|2>:]CORRection:TRANsdruce:r:SELect <name>**

This command selects the transducer factor designated by <name>. If <name> does not exist yet, a new transducer factor is created.

**Notes:**

*This command must be sent prior to the subsequent commands for modifying/activating transducer factors.*

**Parameter:** <name>::= Name of the transducer factor in string data form with a maximum of 8 characters.

**Example:** ":CORR:TRAN:SEL 'FACTOR1'"

**Characteristics:** \*RST value: -  
SCPI: device-specific

**Modes:** A

This command is available from firmware version 1.40 or higher.

**[SENSe<1|2>:]CORRection:TRANsdruce:r:UNIT <string>**

This command defines the unit of the transducer factor selected.

**Note:**

*Prior to this command, the command SENS:CORR:TRAN:SEL must be sent.*

**Parameter:** <string>::= 'DB' | 'DBM' | 'DBMV' | 'DBUV' | 'DBUV/M' | 'DBUA' | 'DBUA/M' | 'DBPW' | 'DBPT'

**Example:** ":CORR:TRAN:UNIT 'DBUV'"

**Characteristics:** \*RST value: 'DB'  
SCPI: device-specific

**Modes:** A

This command is available from firmware version 1.40 or higher.

**[SENSe<1|2>:]CORRection:TRANsdruce:r:SCALing LINear | LOGarithmic**

This command defines whether the frequency scaling of the transducer factor is linear or logarithmic.

**Note:**

*Prior to this command, the command SENS:CORR:TRAN:SEL must be sent.*

**Example:** ":CORR:TRAN:SCAL LOG"

**Characteristics:** \*RST value: LINear  
SCPI: device-specific

**Modes:** A

This command is available from firmware version 1.40 or higher.

**[SENSe<1|2>:]CORRection:TRANsdUCer:COMMeNt <string>**

This command defines the comment for the selected transducer factor.

**Note:**

Prior to this command, the command *SENS:CORR:TRAN:SEL* must be sent.

**Example:**           ":CORR:TRAN:COMM 'FACTOR FOR ANTENNA'"

**Characteristics:** \*RST value   " (empty comment)  
SCPI:               device specific

**Modes:**            A

This command is available from firmware version 1.40 or higher.

**[SENSe<1|2>:]CORRection:TRANsdUCer:DATA <freq>,<level>..**

This command defines the reference values of the transducer factor selected. These values are entered as a sequence of frequency/level pairs. The frequencies must be sent in ascending order.

**Note:**

Prior to this command, the command *SENS:CORR:TRAN:SEL* must be sent. The level values are sent as dimensionless numbers; the unit is specified by means of the command *SENS:CORR:TRAN:UNIT*.

**Example:**           ":CORR:TRAN:TRANsdUCer:DATA 1MHZ,-30,2MHZ,-40"

**Characteristics:** \*RST value:   -  
SCPI:               device-specific

**Modes:**            A

This command is available from firmware version 1.40 or higher.

**[SENSe<1|2>:]CORRection:TRANsdUCer[:STATe] ON | OFF**

This command switches the selected transducer factor on or off.

**Note:**

Prior to this command, the command *SENS:CORR:TRAN:SEL* must be sent.

**Example:**           ":CORR:TRAN ON"

**Characteristics:** \*RST value:   OFF  
SCPI:               device-specific

**Modes:**            A

This command is available from firmware version 1.40 or higher.

**[SENSe<1|2>:]CORRection:TRANsdUCer:DELeTe**

This command deletes the selected transducer factor.

**Note:**

Prior to this command, the command *SENS:CORR:TRAN:SEL* must be sent.

**Example:**           ":CORR:TRAN:DEL"

**Characteristics:** \*RST value:   -  
SCPI:               device-specific

**Modes:**            A

This command is an event and therefore has no \*RST value.  
This command is available from firmware version 1.40 or higher.

## :[SENSe&lt;1|2&gt;:]CORRection:TRANsducer:VIEW ON | OFF

This command switches on the display of the active transducer factor or set.

**Note:**

*Prior to this command, the command SENS:CORR:TRAN:SEL must be sent.*

**Example:** "CORR:TRAN:VIEW ON"

**Characteristics:** \*RST value: OFF  
SCPI: device-specific

**Mode:** A

This command is available from firmware version 1.40 or higher.

## [SENSe&lt;1|2&gt;:]CORRection:YIG:TEMPerature:AUTO ON | OFF

This command switches on or off the automatic correction of the YIG filter frequency drift.

When correction is switched on, it is checked once per minute whether the temperature on the YIG filter has changed by more than 5K relative to the last instance of correction. If this is the case, the frequency of the YIG filter is – at the end of the next measurement – adjusted as required for the new temperature. For time-critical applications, the correction function can be switched off after an operating period of  $\geq 30$  minutes.

**Example:** "CORR:YIG:TEMP OFF" 'Switches off automatic correction of the YIG filter frequency drift.

**Characteristics:** \*RST value: ON  
SCPI: device-specific

**Mode:** all

This command is available only from firmware version 1.60.

The ON parameter is available only if the MW CONV UNIT module has one of the following modification states:

Order No.	Rev	SubRev
1130.2396	$\geq 02$	$\geq 01$
1130.2544	$\geq 02$	$\geq 01$
1093.8249	$\geq 08$	$\geq 01$
1093.8584	$\geq 02$	$\geq 01$
1130.3240	$\geq 02$	$\geq 01$

## SENSe:DETECTOR Subsystem

The SENSe:DETECTOR subsystem controls the acquisition of measurement data via the selection of the detector for the corresponding trace. The measurement windows are selected by SENSE1 (screen A) and SENSE2 (screen B).

COMMAND	PARAMETERS	UNIT	COMMENT
[SENSe<1 2>] :DETECTOR<1..3> [:FUNCTION]  :AUTO	APEak   NEGative   POSitive   SAMPlE   RMS   AVERAge   QPEak <Boolean> POSitive NEGative  RMS  AVERAge QPEak	--	

**[SENSe<1|2>]:DETECTOR<1..3>[:FUNCTION] APEak | NEGative | POSitive | SAMPlE | RMS | AVERAge | QPEak**

This command switches on the detector for the data acquisition in the selected trace and the indicated measurement window.

- The APEak detector (AutoPeak) displays the positive and also the negative peak value of the noise floor. If a signal is detected, only the positive peak value is displayed.
- The POSitive or NEGative detector only displays the positive or the negative peak value.
- With the SAMPlE detector the value measured at the sampling time is displayed, whereas the RMS value of the power measured at each test point is displayed with the RMS detector.
- The AVERAge detector displays the power average value at each test point.
- The QPEak detector performs a signal evaluation for EMC measurements.

If QPEak is selected, the video filter is automatically switched off. The couplings between span and RBW as well as between RBW and sweep time are also switched off and restored on selecting another detector. A long sweep time should be selected so that the quasi-peak detector can fully settle at each test point.

The trace is indicated as numeric suffix in DETECTOR.

**Note:** APEak and QPEak are not available during GSM measurements modulation accuracy (MAC), phase-frequency error (PFE) and power vs. time (PVT).

**Example:** "DET POS" 'Sets the detector in screen A to "positive peak".

**Characteristics:** \*RST value: APEak  
SCPI: conforming

**Mode:** A, GSM/EDGE

**[SENSe<1|2>]:DETECTOR<1 to 3>[:FUNCTION]:AUTO ON | OFF**

This command either couples the detector in the selected measurement window to the current trace setting or turns coupling off. The trace is selected by the numeric suffix at DETECTOR.

**Example:** "DET:AUTO OFF"

**Characteristics:** \*RST value: ON  
SCPI: conforming

**Mode:** A, GSM/EDGE



## SENSe:DDEMod - Subsystem

This subsystem controls the parameters for digital demodulators.

COMMAND	PARAMETERS	UNIT	COMMENT
[SENSe<1 2>]			
:DDEMod			
:FILTer			Option FS-K8
:MEASurement	OFF   BT0oth		
:SEARch			Option FS-K8
:PULSe		S	
:OFFSet	<numeric_value>		
[:STATe]	<Boolean>		
:SYNC		--	Option FS-K8
:LAP	<hex>		
:OFFSet	<numeric_value>		

### [SENSe<1|2>]:DDEMod:FILTer:MEASurement OFF | BT0oth

This command selects the receive filter for the signal to measure.

**Example:** "DDEM:FILT:MEAS BT0oth" 'Bluetooth measurement filter ON

**Characteristics:** \*RST value: OFF  
SCPI: device specific

**Mode:** BT

### SENSe<1|2>:DDEMod:SEARch:PULSe:OFFSet <numeric\_value>

This command defines the time to be recorded before a signal burst is recognized. The valid value range is 0 to  $\pm 10$  ms.

**Example:** "DDEM:SEAR:PULSe:OFFS 1MS" 'Burst offset = 1ms before start of the burst

**Characteristics:** \*RST value: 0  
SCPI: device specific

**Mode:** BT

### [SENSe<1|2>]:DDEMod:SEARch:PULSe[:STATe] ON | OFF

This command switches the search for a signal burst on or off.

**Example:** "DDEM:SEAR:PULS OFF"

**Characteristics:** \*RST value: ON  
SCPI: device specific

**Mode:** BT

### [SENSe<1|2>]:DDEMod:SEARch:SYNC:LAP <hex>

This command determines the 24 least significant bits (LAP) of the DUT 'Bluetooth device address'. They are used to define the synchronization pattern to determine the start of a packet. The value range is 0 to FFFFFFF hex.

**Example:** "DDEM:SEAR:SYNC:LAP #HA3F45B" 'switches on LAP A3F45B Hex

**Characteristics:** \*RST value: 0  
SCPI: device specific

**Mode:** BT

**[SENSe<1|2>:]DDEMod:SEARch:SYNC:OFFSet <numeric\_value>**

This command defines the number of bits to be recorded before the first preamble bit is detected. The valid value range is 0 to  $\pm 10000$ .

**Example:** "DDEM:SEAR:SYNC:OFFS 10" 'Sync offset = 10 bits before the preamble bits

**Characteristics:** \*RST value: 0  
SCPI: device specific

**Mode:** BT

**[SENSe<1|2>:]DDEMod:SEARch:SYNC[:STATe] ON | OFF**

This command switches the search for a sync pattern on or off.

**Example:** "DDEM:SEAR:SYNC ON" 'switches the sync pattern search on.

**Characteristics:** \*RST value: OFF  
SCPI: device specific

**Mode:** BT

**[SENSe<1|2>:]DDEMod:SEARch:TIME 100 $\mu$ s ... 130560 $\mu$ s/(Points per Symbol)**

This command selects manual setting of the record length and defines the record length to be used for the search of sync word and burst. The input of the record length is expected in seconds.

Value range: 100 $\mu$ s to 130560 $\mu$ s / (points per symbol)

Points per Symbol	maximum record length
2	104.4 slots
4	52.2 slots
8	26.1 slots
16	13.1 slots
32	6.5 slots

**Note:** For measurements without trigger at least 3 times the packet length is required during loop back operation. That means that with an oversampling factor of 16 only packet types DH1 and DH3 can be detected reliably; with an oversampling factor of 32 only DH1 packets can be detected.

**Example:** "DDEM:SEAR:TIME 100US" 'Sets the record length for sync word and burst search to 100 $\mu$ s.

**Characteristics:** \*RST value: 1875 $\mu$ s  
SCPI: device specific

**Mode:** BT

**[SENSe<1|2>:]DDEMod:SEARch:TIME:AUTO ON | OFF**

This command activates the automatic setting of the record length for the sync word and burst search, depending on the selected packet type.

The automatic record length is determined as follows:

Free Run Trigger:

search length = 3 \* packet length + abs(sync offset) or

search length = 3 \* packet length + abs(burst offset)

other trigger modes:

search length = 1 \* packet length + 1 slot + abs(sync offset) or

search length = 1 \* packet length + 1 slot + abs(Burst Offset)

If the selected MEAS TIME is longer than the packet length, the difference MEAS TIME - packet length is added to the record length.

**Example:** "DDEM:SEAR:TIME:AUTO OFF" 'selects manual input for the record length

**Characteristics:** \*RST value: ON  
SCPI: device specific

**Mode:** BT

## SENSe:FREQUENCY Subsystem

The SENSe:FREQUENCY subsystem defines the frequency axis of the active display. The frequency axis can either be defined via the start/stop frequency or via the center frequency and span. The measurement windows are selected by SENSe1 (screen A) and SENSe2 (screen B).

COMMAND	PARAMETERS	UNIT	COMMENT
[SENSe<1 2>] :FREQUency			
:CENTer	<numeric_value>	HZ	
:STEP	<numeric_value>	HZ	
:LINK	SPAN RBW OFF	--	
:FACTor	<numeric_value>	PCT	
:SPAN	<numeric_value>	HZ	
:FULL	--	--	
:START	<numeric_value>	HZ	
:STOP	<numeric_value>	HZ	
:MODE	CW FIXed SWEep		
:OFFSet	<numeric_value>	HZ	

### [SENSe<1|2>]:FREQUency:CENTer 0 to $f_{max}$

This command defines the center frequency of the analyzer or the measuring frequency for span = 0.

**Example:** "FREQ:CENT 100MHz"

**Characteristics:** \*RST value:  $f_{max}/2$  with  $f_{max}$  = maximum frequency  
SCPI: conforming

**Mode:** all

### [SENSe<1|2>]:FREQUency:CENTer:STEP 0 to $f_{max}$

This command defines the step width of the center frequency.

**Example:** "FREQ:CENT:STEP 120MHz"

**Characteristics:** \*RST value: - (AUTO 0.1 × SPAN is switched on)  
SCPI: conforming

**Mode:** all

### [SENSe<1|2>]:FREQUency:CENTer:STEP:LINK SPAN | RBW | OFF

This command couples the step width of the center frequency to span (span > 0) or to the resolution bandwidth (span = 0) or cancels the couplings.

**Parameters:**

SPAN = Coupling to frequency display range (for span > 0)  
RBW = Coupling to resolution bandwidth (for span = 0)  
OFF = manual input, no coupling.

**Note:** This command is not available for GSM/EDGE measurements modulation accuracy (MAC), phase/frequency error (PFE) and power versus time (PVT).

**Example:** "FREQ:CENT:STEP:LINK SPAN"

**Characteristics:** \*RST value: SPAN  
SCPI: device-specific

**Mode:** A, GSM/EDGE

**[SENSe<1|2>:]FREQUENCY:CENTer:STEP:LINK:FACTor** 1 to 100 PCT

This command couples the step width of the center frequency with a factor to the span (span >0) or to the resolution bandwidth (span = 0).

**Note:** This command is not available for GSM/EDGE measurements modulation accuracy (MAC), phase/frequency error (PFE) and power versus time (PVT).

**Example:** "FREQ:CENT:STEP:LINK:FACT 20PCT"

**Characteristics:** \*RST value: - (AUTO 0.1 × SPAN is switched on)  
SCPI: device-specific

**Mode:** A, GSM/EDGE

**[SENSe<1|2>:]FREQUENCY:SPAN** 0 to  $f_{\max}$ 

This command defines the frequency span in the analyzer mode.

**Note:** This command is not available for GSM/EDGE measurements modulation accuracy (MAC), phase/frequency error (PFE) and power versus time (PVT).

**Example:** "FREQ:SPAN 10MHz"

**Characteristics:** \*RST value:  $f_{\max}$  with  $f_{\max}$  = maximum frequency  
SCPI: conforming

**Mode:** A, GSM/EDGE

**[SENSe<1|2>:]FREQUENCY:SPAN:FULL**

This command sets the frequency span in the analyzer mode to its maximum.

**Note:** This command is not available for GSM/EDGE measurements modulation accuracy (MAC), phase/frequency error (PFE), power versus time (PVT) and carrier power (CPW).

**Example:** "FREQ:SPAN:FULL"

**Characteristics:** \*RST value: -  
SCPI: conforming

**Mode:** A, GSM/EDGE

**[SENSe<1|2>:]FREQUENCY:START** 0 to  $f_{\max}$ 

This command defines the start frequency of the analyzer. This command is only available in the frequency domain (span >0).

**Note:** This command is not available for GSM/EDGE measurements modulation accuracy (MAC), phase/frequency error (PFE), power versus time (PVT) and carrier power (CPW).

**Example:** "FREQ:STAR 20MHz"

**Characteristics:** \*RST value: 0  
SCPI: conforming

**Mode:** A-F, GSM/EDGE

**[SENSe<1|2>]:FREQuency:STOP** 0 to  $f_{\max}$ 

This command defines the stop frequency of the analyzer. This command is only available in the frequency domain (span >0).

**Note:** This command is not available for GSM/EDGE measurements modulation accuracy (MAC), phase/frequency error (PFE), power versus time (PVT) and carrier power (CPW).

**Example:** "FREQ:STOP 2000MHz"

**Characteristics:** \*RST value:  $f_{\max}$   
SCPI: conforming

**Mode:** A-F, GSM/EDGE

**[SENSe<1|2>]:FREQuency:MODE** CW | FIXed | SWEep

This command switches between frequency domain (SWEep) and time domain (CW | FIXed) in the analyzer mode.

For CW and FIXed, the frequency setting is via command FREQuency:CENTer. In the SWEep mode, the setting is via commands FREQuency:START, STOP, CENTer and SPAN.

**Note:** This command is not available for GSM/EDGE measurements modulation accuracy (MAC), phase/frequency error (PFE), power versus time (PVT), carrier power (CPW) and spurious (SPU).

**Example:** "FREQ:MODE SWE"

**Characteristics:** \*RST value: SWEep  
SCPI: conforming

**Mode:** A, MS

**[SENSe<1|2>]:FREQuency:OFFSet** <numeric\_value>

This command defines the frequency offset of the instrument.

**Example:** "FREQ:OFFS 1GHZ"

**Characteristics:** \*RST value: 0 Hz  
SCPI: conforming

**Mode:** A, GSM/EDGE, FM

## SENSe:LIST Subsystem

The commands of this subsystem are used for measuring the power at a list of frequency points with different device settings. The measurement is always performed in the time domain (span = 0 Hz).

A new trigger event is required for each test point (exception: Trigger FREE RUN).

The results are output as a list in the order of the entered frequency points. The number of results per test point depends on the number of concurrently active measurements (peak/RMS/average).

Selection of concurrently active measurements and setting of parameters that are constant for the whole measurement is via a configuration command (SENSe:LIST:POWer:SET). This also includes the setting for trigger and gate parameters.

The following setting parameters can be selected independently for each frequency point:

- Analyzer frequency
- Reference level
- RF attenuation of attenuator (only with option B25)
- Resolution filter
- Resolution bandwidth
- Video bandwidth
- Measurement time
- Detector

The number of frequencies is limited to 100 entries.

The commands of this subsystem can be used in two different ways:

1. Instrument setup, measurement and querying of the results in a single command:  
With this method, there is the least delay between the measurement and the result output. However, it requires the control computer to wait for the response from the instrument.
2. Instrument setup and querying of the result list at the end of the measurement:  
With this method, the control computer may be used for other activities while the measurement is being performed. However, more time is needed for synchronization via service request.

**Note:** *Settings that are not directly included in commands of this subsystem can be configured by sending the corresponding commands prior to the SENSe:LIST-commands.*

*Please note that changes to the trigger level have to be executed in time domain (span = 0 Hz) in order to take effect for the SENSe:LIST-commands.*

*The commands of this subsystem are not available for GSM/EDGE measurements modulation accuracy (MAC), phase/frequency error (PFE) and power versus time (PVT).*

COMMAND	PARAMETER	UNIT	COMMENT
[SENSe<1 2>] :LIST :POWer :RESult? [:SEQuence]	<numeric_value>, <numeric_value>, <numeric_value>, <numeric_value>   OFF, NORMal   CFILter   RRC, <numeric_value>, <numeric_value>, <numeric_value>, <numeric_value>	HZ, DBM, DB, DB, --, HZ, HZ, S, PCT DBM	Query only
:SET	<Boolean>, <Boolean>, <Boolean>, IMMediate   EXTernal   VIDeo   IFPower, POSitive NEGative, <numeric_value>, <numeric_value>	--, --, --, --, --, S, S	
:STATe	OFF		

**[SENSe<1|2>]:LIST:POWer[:SEQuence]** <analyzer freq>,<ref level>,<rf att>,<el att>,<filter type>,<rbw>,<vbw>,<meas time>,<trigger level>,...

This command configures the list of settings (max. 100 entries) for the multiple power measurement and starts a measurement sequence. When synchronizing the command with \*OPC, a service request is generated as soon as all frequency points are processed and the defined number of individual measurements is reached.

To reduce the setting time, all indicated parameters are set up simultaneously at each test point.

The query form of the command processes the list and immediately returns the list of results. The number of results per test point depends on the setting of the "SENSe:LIST:POWer:SET" command.

**Parameter: Note:** The following parameters are the settings for an individual frequency point. They are repeated for every other frequency point.

- <analyzer freq>: Receive frequency for the signal to be measured  
(= center frequency in manual operation)  
Range of values: 0 Hz to max. frequency, depending on the instrument model.
- <ref level>: Reference level  
Range of values: +30 dBm to -70 dBm in 10 dB steps  
+30 dBm to -75 dBm in 5 dB steps with  
El. Attenuator option B25
- <rf att>: RF input attenuation  
Range of values: 0 dB to 70 dB in 10 dB steps  
0 dB to 75 dB in 5 dB steps with  
El. Attenuator Option B25
- <el att>: RF input attenuation of electronic attenuator  
Range of values: 0 dB to 30 dB in 10 dB steps  
OFF electronic attenuator  
not in signal path

If option B25 is missing, OFF is to be used.



<filter type>:	NORMaL:	normal resolution filter
	CFILter:	channel filter. These are especially steep-edged filters, which are used for example in Fast ACP measurement to ensure the band-limiting of a transmission channel in the time domain.
	RRC:	Root Raised Cosine filter. This special filter form is used to determine the channel power for some mobile radio standards.
<rbw>:	Resolution bandwidth	
	Range of values:	10 Hz to 20 MHz, 50 MHz in 1, 2, 3, 5, 10 steps for <filter type> = NORMaL.
	See filter table	for <filter type> = CFILter and <filter type> = RRC. Possible combinations of filter type and filter bandwidth see table "List of available channel filters" in section "Setting Bandwidths and Sweep Time – Key BW".
<vbw>:	Video bandwidth	
	Range of values:	1 Hz to 10 MHz in 1, 2, 3, 5, 10 steps. The value is ignored for <filter type> = CFILter or RRC
<meas time>:	Measurement time	
	Range of values:	1us to 30s
<trigger level>:	Reserved. Must be set to 0.	

### Returned values:

The query command returns a list of comma-separated values (CSV) which contains the power measurement results in floating-point format. The unit depends on the setting with CALC:UNIT.

#### Command

```
"SENSe:LIST:POWer? 935.2MHz,-20dBm,10dB,OFF,NORM,1MHz,3MHz,434us,0,
935.4MHz,-20dBm,10dB,10dB,NORM,30kHz,100kHz,434us,0,
935.6MHz,-20dBm,10dB,20dB,NORM,30kHz,100kHz,434us,0"
```

thus returns the following list, for example:

```
-28.3,-30.6,-38.1
```

If the command sequence is extended to

```
"SENSe:LIST:POWer:SET ON,ON,ON,IMM,POS,0,0"
```

```
"SENSe:LIST:POWer? 935.2MHz,-20dBm,10dB,OFF,NORM,1MHz,3MHz,434us,0,
935.4MHz,-20dBm,10dB,10dB,NORM,30kHz,100kHz,434us,0,
935.6MHz,-20dBm,10dB,20dB,NORM,30kHz,100kHz,434us,0"
```

the result list is extended to 3 results per frequency point (peak, RMS and average):

```
-28.3, -29.6, 1.5, -30.6, -31.9, 0.9, -38.1, -40.0, 2.3
```

**Examples:**

```
"SENSe:LIST:POWer 935.2MHz,-20dBm,10dB,OFF,NORM,1MHz,3MHz,434us,0,
935.4MHz,-20dBm,10dB,10dB,CFIL,30kHz,100kHz,434us,0,
935.6MHz,-20dBm,10dB,20dB,CFIL,30kHz,100kHz,434us,0"
```

performs a measurement sequence with the following settings:

Step	Freq. [MHz]	Ref Level	RF Att	el Att	Filter type	RBW	VBW	Meas Time	TRG Level (reserved)
1	935.2	-20 dBm	10 dB	OFF	Normal	1 MHz	3 MHz	434 us	0
2	935.4	-20 dBm	10 dB	10dB	Channel	30 kHz	100 kHz	434 us	0
3	935.6	-20 dBm	10 dB	20dB	Channel	30 kHz	100 kHz	434 us	0

```
"SENSe:LIST:POWer? 935.2MHz,-20dBm,10dB,OFF,NORM,1MHz,3MHz,434us,0,
935.4MHz,-20dBm,10dB,10dB,CFIL,30kHz,100kHz,434us,0,
935.6MHz,-20dBm,10dB,20dB,CFIL,30kHz,100kHz,434us,0"
```

performs the same measurement and returns the result list immediately after the last frequency point.

**Notes:** - The measurement is performed in the time domain and therefore the span is set to 0 Hz. If the time domain is abandoned, the function is automatically switched off.

- The measurement is not compatible with other measurements, especially as far as marker, adjacent channel power measurement or statistics are concerned. The corresponding commands thus automatically deactivate the function.
- The function is only available in REMOTE operation. It is deactivated when switching the instrument back to LOCAL.
- This command is not available for GSM/EDGE measurements modulation accuracy (MAC), phase/frequency error (PFE) and power versus time (PVT).

**Characteristics:** \*RST value: --  
SCPI: device-specific

**Mode:** A-F, A-T, GSM/EDGE

[SENSe<1|2>:]LIST:POWer:SET <PEAK meas>,<RMS meas>,<AVG meas>,  
<trigger mode>,<trigger slope>,<trigger offset>,<gate length>

This command defines the constant settings for the list during multiple power measurement.

Parameters <PEAK meas>, <RMS meas> and <AVG meas> define, which measurements are to be performed at the same time at the frequency point. Correspondingly, one, two or three results per frequency point are returned for the SENS:LIST:POW? command. If all three parameters are set to OFF, the command generates an execution error.

#### Parameter:

<PEAK meas>:	ON	activates the measurement of the peak power (peak detector).
	OFF	deactivates the measurement of the peak power.
<RMS meas>:	ON	activates the measurement of the RMS power (RMS detector) .
	OFF	deactivates the measurement of the RMS power.
<AVG meas>:	ON	activates the measurement of the average power (average detector).
	OFF	deactivates the measurement of the average power.
<trigger mode>:	Selection of the trigger source used for the list measurement.	
	Possible values:	
	IMMEDIATE   VIDEO   EXTERNAL   IFPOWER	
<trigger slope>:	Used trigger slope.	
	Possible values:	
	POSITIVE   NEGATIVE	
<trigger offset>:	Offset between the detection of the trigger signal and the start of the measurement at the next frequency point.	
	Range of values: 0 s, 125 ns to 100s	
<gate length>:	Gate length with Gated Sweep.	
	Range of values: 0 s, 125 ns to 100s	

#### Note:

- The value 0 s deactivates the use of GATED TRIGGER; other values activate the GATED TRIGGER function.
- Values <> 0 s are only possible if <trigger mode> is different from IMMEDIATE. Otherwise, an execution error is triggered.

#### Returned values:

The query command returns a list of comma-separated values (CSV) of the settings, i.e.

```
ON,ON,ON,IMM,POS,0,0
```

if the configuration has been set with the command

```
"SENSe:LIST:POWer:SET ON,ON,ON,IMM,POS,0,0"
```

**Note:** This command is not available for GSM/EDGE measurements modulation accuracy (MAC), phase/frequency error (PFE) and power versus time (PVT).

**Examples:** "SENSe:LIST:POWer:SET ON,OFF,OFF,EXT,POS,10US,434US"  
"SENSe:LIST:POWer:SET ON,ON,ON,VID,NEG,10US,0"

**Characteristics:** \*RST values: ON,OFF,OFF,IMM,POS,0S,0S  
SCPI: device-specific

**Mode:** A-F, A-T, GSM/EDGE

**[SENSe<1|2>:]LIST:POWer:RESult?**

This command queries the result of a previous list measurement as configured and initiated with `SENSe:LIST:POWer[:SEQuence]`. The measured results are output in a list of floating point values separated by commas. The unit of the results depends on the setting made with the `CALC:UNIT` command.

This command may be used to obtain measurement results in an asynchronous way, using the service request mechanism for synchronization with the end of the measurement.

If no measurement results are available, the command will return a query error.

**Note:** *This command is not available for GSM/EDGE measurements modulation accuracy (MAC), phase/frequency error (PFE) and power versus time (PVT).*

**Example:**

'Configuration of the status reporting system for the generation of an SRQ on operation complete

\*ESE 1

\*SRE 32

'Configuring and starting the measurement

```
"SENSe:LIST:POWer      935.2MHz,-20dBm,10dB,OFF,NORM,1MHz,3MHz,434us,0,
                        935.4MHz,-20dBm,10dB,10dB,NORM,30kHz,100kHz,434us,0,
                        935.6MHz,-20dBm,10dB,20dB,NORM,30kHz,100kHz,434us,0;
                        *OPC"
```

'Further actions of the control computer during measurement

...

'Response to service request

On SRQ:

SENSe:LIST:POWer:RESult?

**Characteristics:** \*RST value: --  
SCPI: device-specific

**Mode:** A-F, A-T, GSM/EDGE

**[SENSe<1|2>:]LIST:POWer:STATe OFF**

This command deactivates the list measurement.

**Note:** *This command is not available for GSM/EDGE measurements modulation accuracy (MAC), phase/frequency error (PFE) and power versus time (PVT).*

**Example:** "SENSe:LIST:POWer:STATe OFF"

**Characteristics:** \*RST value: --  
SCPI: device-specific

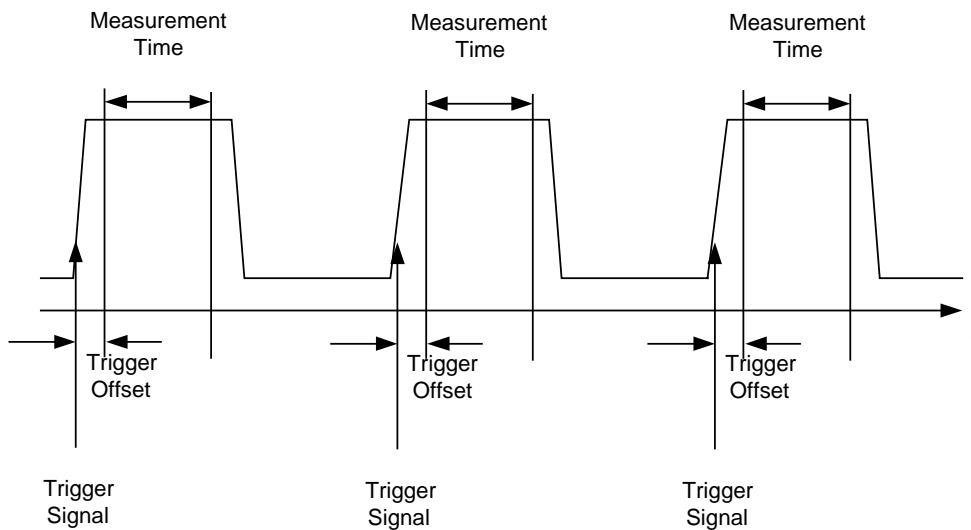
**Mode:** A-F, A-T, GSM/EDGE

## SENSe:MPOWer Subsystem

The commands of this subsystem are used to determine the mean burst power or peak burst power for a given number of signal bursts, and for outputting the results in a list. Since all the settings required for a measurement are combined in a single command, the measurement speed is considerably higher than when using individual commands.

For measuring the signal bursts, the GATED SWEEP function is used in the time domain. The gate is controlled either by an external trigger signal or by the video signal. An individual trigger event is required for each burst to be measured. If an external trigger signal is used, the threshold is fixed to TTL level, while with a video signal the threshold can be set as desired.

The following graphics shows the relation between trigger time, trigger offset (for delayed gate opening) and measurement time.



Depending on the settings made, the measurements are performed with the RMS detector for RMS power or the PEAK detector for peak power. For all these measurements, TRACE 1 of the selected system is used.

The setting parameters for this measurement are:

- analyzer frequency
- resolution bandwidth
- measurement time used for a single burst
- trigger source
- trigger level
- trigger offset
- type of power measurement (PEAK, MEAN)
- number of bursts to be measured

The commands of this subsystem can be used in two different ways:

1. Setting up the instrument and at the same time querying the result list: This method ensures the smallest delay between measurement and the output of the measured values, but requires the control computer to wait actively for the response of the instrument.
2. Setting up the instrument and querying the result list after synchronization to the end of measurement: With this method the control computer can be used for other activities while the instrument is performing the measurement at the cost of additional time needed for synchronization via service request.



**Return values:**

The query command returns a list separated by commas (comma separated values = CSV), which contains the power measurement results in floating-point format. The unit used for the return values is always dBm.

The command "SENSe:MPOWer? 935.2MHz,1MHz,434us,VIDEO,50PCT,5us,MEAN,20" may, for instance, cause the following list to be returned:

18.3,18.6,18.1,18.0,17.9,18.3,18.6,18.1,18.0,17.9,18.3,18.6,18.1,18.0,17.9,18.3,18.6,18.1,18.0,17.9

**Note:** *This command is not available for GSM/EDGE measurements modulation accuracy (MAC), phase/frequency error (PFE) and power versus time (PVT).*

**Examples:**

"SENSe:MPOWer 935.2MHz,1MHz,434us,VIDEO,50PCT,5us,MEAN,20"

performs a measurement sequence with the following settings:

Frequency = 935.2 MHz,  
Resolution bandwidth = 1 MHz  
Measurement time = 434  $\mu$ s  
Trigger source = VIDEO  
Trigger threshold = 50%  
Trigger offset = 5  $\mu$ s  
Type of measurement = MEAN power  
No. of measurements = 20

"SENSe:MPOWer? 935.2MHz,1MHz,434us,VIDEO,50PCT,5us,MEAN,20"

performs the same measurement and in addition returns the results list immediately after completion of the last measurement.

**Notes:**

*The measurement function always uses trace 1 in the selected screen, and activates the selected screen.*

*Repeated use of the command without changes to its parameters (i.e. using the same settings again) will speed up the measurement since the previous hardware settings will be cached and therefore additional hardware settling times will be avoided. This also holds true if only part of the parameters (e.g. only the trigger delay) are changed, as in this case the rest of the parameters will be cached.*

*This measurement is not compatible with other measurements, especially as far as marker functions, adjacent-channel measurement or statistics are concerned. The corresponding functions are therefore automatically switched off. In return incompatible commands will automatically deactivate the multi burst power function.*

*The function is only available in the REMOTE operation. It is deactivated on switching back to LOCAL.*

**Characteristics:** \*RST value: --  
SCPI: instrument-specific

**Mode:** A-F, A-T, GSM/EDGE

**SENSe:MPOWer:RESult[:LIST]?**

This command queries the results of a multiple burst power measurement as configured and initiated with `SENSe:MPOWer[:SEquence]`. The results are output in a comma-separated list of floating point values. The unit used for the return values is always dBm.

This command may be used to obtain measurement results in an asynchronous way using the service request mechanism for synchronization with the end of the measurement.

If no measurement results are available, the command will return a query error.

**Note:** *This command is not available for GSM/EDGE measurements modulation accuracy (MAC), phase/frequency error (PFE) and power versus time (PVT).*

**Example:**

```
*ESE 1           'Configuration of status reporting systems for the
*SRE 32         'generation of an SRQ on operation complete

SENSe:MPOWer
935.2MHz,1MHz,434us,VIDEO,50PCT,5us,MEAN,20;*OPC
                'Configuring and starting the measurement
...            'Further actions of the control computer during
                'measurement
On SRQ:        'Response to service request
SENSe:MPOWer:RESult?
```

**Characteristics:** \*RST value: --  
SCPI: instrument-specific

**Mode:** A-F, A-T, GSM/EDGE

**SENSe:MPOWer:RESult:MIN?**

This command queries the minimum power value in a multiple burst power measurement as configured and initiated with `SENSe:MPOWer[:SEquence]`. The unit used for the return values is always dBm.

If no measurement result is available, the command will return a query error.

**Note:** *This command is not available for GSM/EDGE measurements modulation accuracy (MAC), phase/frequency error (PFE) and power versus time (PVT).*

**Example:**

```
*ESE 1           'Configuration of status reporting systems for the
*SRE 32         'generation of an SRQ on operation complete

SENSe:MPOWer
935.2MHz,1MHz,434us,VIDEO,50PCT,5us,MEAN,20;*OPC
                'Configuring and starting the measurement
...            'Further actions of the control computer during
                'measurement
On SRQ:        'Response to service request
SENSe:MPOWer:RESult:MIN?
```

**Characteristics:** \*RST value: --  
SCPI: instrument-specific

**Mode:** A-F, A-T, GSM/EDGE





**[SENSe<1|2>:]POWer:ACHannel:SPACing:ACHannel** 100 Hz to 2000 MHz

This command defines the channel spacing of the adjacent channel to the TX channel. At the same time, the spacing of alternate adjacent channels 1 and 2 is set to the double or triple of the entered value. The command is only available in the frequency domain (span > 0).

**Example:** "POW:ACH:SPAC:ACH 33kHz" 'Sets the spacing between the carrier signal and  
'- the adjacent channel to 33 kHz  
'- the alternate adjacent channel 1 to 66 kHz  
'- the alternate adjacent channel 2 to 99 kHz

**Characteristics:** \*RST value: 14 kHz  
SCPI: device-specific

**Mode:** A-F

**[SENSe<1|2>:]POWer:ACHannel:SPACing:ALTErnate<1|2>** 100 Hz to 2000 MHz

This command defines the spacing between the first (ALTErnate1) or the second alternate adjacent channel (ALTErnate2) and the TX channel. If the spacing to the alternate adjacent channel ALTErnate1 is modified, the spacing to alternate adjacent channel 2 is set to 1.5 times the entered value. This command is only available in the frequency domain (span > 0).

**Example:** "POW:ACH:SPAC:ALT1 100kHz" 'Sets the spacing between TX channel and  
'alternate adjacent channel 1 to 100 kHz and  
'between TX channel and alternate adjacent  
'channel 2 to 150 kHz.

**Characteristics:** \*RST value: 40 kHz (ALT1)  
60 kHz (ALT2)  
SCPI: device-specific

**Mode:** A-F

**[SENSe<1|2>:]POWer:ACHannel:TXCHannel:COUNT** 1 | 2 | 3 | 4

This command selects the number of carrier signals.

The command is available only for multicarrier channel and adjacent-channel power measurements (CALC:MARK:FUNC:POW:SEL MCAC) in the frequency domain (span > 0).

**Example:** "POW:ACH:TXCH:COUN 3"

**Characteristics:** \*RST value: 4  
SCPI: device-specific

**Mode:** A-F

**[SENSe<1|2>:]POWer:ACHannel:ACPairs** 0 | 1 | 2 | 3

This command sets the number of adjacent channels (upper and lower channel in pairs). The figure 0 stands for pure channel power measurement.

The command is only available in the frequency domain (span > 0).

**Example:** "POW:ACH:ACP 3" 'Sets the number of adjacent channels to 3, i.e. the  
'adjacent channel and alternate adjacent channels 1 and  
'2 are switched on.

**Characteristics:** \*RST value: 1  
SCPI: device-specific

**Mode:** A-F

**[SENSe<1|2>:]POWer:ACHannel:BANDwidth|BWIDth[:CHANnel]** 100 Hz to 1000 MHz

This command sets the channel bandwidth of the radio communication system. The bandwidths of adjacent channels are not influenced by this modification (in contrast to the FSE family).

With `SENSe:POW:HSP ON` the steep-edged channel filters from the table "List of available channel filters" in Section "Setting Bandwidths and Sweep Time – Key BW" are available.

**Example:**           "POW:ACH:BWID 30kHz"           'Sets the bandwidth of the TX channel to '30 kHz.

**Characteristics:** \*RST value:   14 kHz  
SCPI:                device-specific

**Mode:**            A-F

**[SENSe<1|2>:]POWer:ACHannel:BANDwidth|BWIDth:ACHannel** 100 Hz to 1000 MHz

This command defines the channel bandwidth of the adjacent channel of the radio transmission system. If the bandwidth of the adjacent channel is changed, the bandwidths of all alternate adjacent channels are automatically set to the same value.

With `SENSe:POW:HSP ON` the steep-edged channel filters from the table "List of available channel filters" in Section "Setting Bandwidths and Sweep Time – Key BW" are available.

**Example:**           "POW:ACH:BWID:ACH 30kHz"   'Sets the bandwidth of all adjacent channels to '30 kHz.

**Characteristics:** \*RST value:   14 kHz  
SCPI:                device-specific

**Mode:**            A-F

**[SENSe<1|2>:]POWer:ACHannel:BANDwidth|BWIDth:ALTErnate<1|2>** 100 Hz to 1000 MHz

This command defines the channel bandwidth of the first/second alternate adjacent channel of the radio transmission system. If the channel bandwidth of alternate adjacent channel 1 is changed, the bandwidth of alternate adjacent channel 2 is automatically set to the same value.

With `SENSe:POW:HSP ON` the steep-edged channel filters from the table "List of available channel filters" in Section "Setting Bandwidths and Sweep Time – Key BW" are available.

**Example:**           "POW:ACH:BWID:ALT2 30kHz"

**Characteristics:** \*RST value:   14 kHz  
SCPI:                device-specific

**Mode:**            A-F

**[SENSe<1|2>:]POWer:ACHannel:MODE** ABSolute | RELative

This command toggles between absolute and relative adjacent channel measurement.

For the relative measurement the reference value is set to the currently measured channel power by command `SENSe:POWer:ACHannel:REFErnance:AUTO ONCE`.

The command is only available in the frequency domain (span > 0).

**Example:**           "POW:ACH:MODE REL"

**Characteristics:** \*RST value:   ABSolute  
SCPI:                device-specific

**Mode:**            A-F

**[SENSe<1|2>:]POWer:ACHannel:REference:AUTO ONCE**

This command sets the reference value for the relative measurement to the currently measured channel power.

The command is only available in the frequency domain (span > 0).

**Example:** "POW:ACH:REF:AUTO ONCE"

**Characteristics:** \*RST value: -  
SCPI: device-specific

**Mode:** A-F

This command is an event and therefore has no \*RST value and no query.

**[SENSe<1|2>:]POWer:ACHannel:REference:TXChannel:AUTO MINimum | MAXimum | LHIGhest**

This command activates the automatic selection of a transmission channel to be used as a reference channel in relative adjacent-channel power measurements.

The transmission channel with the highest power, the transmission channel with the lowest power, or the transmission channel nearest to the adjacent channels can be defined as a reference channel.

The command is available only for multicarrier channel and adjacent-channel power measurements (CALC:MARK:FUNC:POW:SEL MCAC) in the frequency domain (span > 0).

**Parameters:** MINimum Transmission channel with the lowest power  
MAXimum Transmission channel with the highest power  
LHIGhest Lowermost transmission channel for the lower adjacent channels,  
uppermost transmission channel for the upper adjacent channels

**Example:** "POW:ACH:REF:TXCH:AUTO MAX" 'The transmission channel with the highest power is used as a reference channel.'

**Characteristics:** \*RST value: -  
SCPI: device-specific

**Mode:** A-F

**[SENSe<1|2>:]POWer:ACHannel:REference:TXChannel:MANual 1 | 2 | 3 | 4**

This command selects a transmission channel to be used as a reference channel in relative adjacent-channel power measurements.

The command is available only for multicarrier channel and adjacent-channel power measurements (CALC:MARK:FUNC:POW:SEL MCAC) in the frequency domain (span > 0).

**Example:** "POW:ACH:REF:TXCH:MAN 3" 'Transmission channel 3 is used as a reference channel.'

**Characteristics:** \*RST value: 1  
SCPI: device-specific

**Mode:** A-F

[SENSe<1|2>:]POWer:ACHannel:PRESet ACPower | CPOWer | MCACpower | OBANdwidth | OBWidth | CN | CN0

This command adjusts the frequency span, the measurement bandwidths and the detector as required for the number of channels, the channel bandwidths and the channel spacings selected in the active power measurement. If necessary, adjacent-channel power measurement is switched on prior to the adjustment.

To obtain valid results, a complete sweep with synchronization to the end of the sweep must be performed after the adjustment. Synchronization is possible only in the single-sweep mode.

The result is queried with the command CALCulate:MARKer:FUNCTion:POWer:RESult?.

The command is available only for measurements in the frequency domain (span > 0).

**Example:** " POW:ACH:PREs ACP " 'Sets the frequency span, the measurement bandwidths and the detector as required for the ACP measurement in screen A.  
 " INIT:CONT OFF " 'Switches over to single-sweep mode.  
 " INIT;\*WAI " 'Starts a sweep and waits for the end of the sweep.  
 " CALC:MARK:FUNC:POW:RES? ACP " 'Queries the result of the adjacent-channel power measurement.

**Characteristics:** \*RST value: -  
 SCPI: device-specific

**Mode:** A-F

[SENSe<1|2>:]POWer:ACHannel:PRESet:RLEVel

This command adapts the reference level to the measured channel power and – if required - switches on previously the adjacent channel power measurement. This ensures that the signal path of the instrument is not overloaded. Since the measurement bandwidth is significantly smaller than the signal bandwidth in channel power measurements, the signal path can be overloaded although the trace is still significantly below the reference level. If the measured channel power equals the reference level, the signal path is not overloaded.

The command is only available in the frequency domain (span > 0).

**Note:** *Subsequent commands have to be synchronized with \*WAI, \*OPC or \*OPC? to the end of the autorange process which would otherwise be aborted.*

**Example:** " POW:ACH:PREs:RLEV;\*WAI " 'Adapts the reference level to the measured channel power.

**Characteristics:** \*RST value: -  
 SCPI: device-specific

**Mode:** A-F

[SENSe<1|2>:]POWer:BANDwidth|BWIDth 10 to 99.9PCT

This command defines the percentage of the power with respect to the total power. This value is the basis for the occupied bandwidth measurement (command: POWer:ACHannel:PRESet OBW).

The command is only available in the frequency domain (span > 0).

**Example:** " POW:BWID 95PCT "

**Characteristics:** \*RST value: 99PCT  
 SCPI: device-specific

**Mode:** A-F

**[SENSe<1|2>:]POWer:HSPeed ON | OFF**

This command switches on or off the high-speed channel/adjacent channel power measurement. The measurement itself is performed in the time domain on the center frequencies of the individual channels. The command automatically switches to the time domain and back.

Depending on the selected mobile radio standard, weighting filters with  $\sqrt{\cos}$  characteristic or very steep-sided channel filters are used for band limitation.

The command is only available in the frequency domain (span > 0).

**Example:** "POW:HSP ON"

**Characteristics:** \*RST value: OFF  
SCPI: device-specific

**Mode:** A-F

**[SENSe<1|2>:]POWer:NCORrection ON | OFF**

This command switches on or off the correction of the instrument inherent noise for channel power measurement. On activating this function, a reference measurement of the instrument inherent noise is performed. The measured noise power is then subtracted from the power in the examined channel.

The instrument inherent noise is then re-determined after any change of the center frequency, resolution bandwidth, sweep time and level setting by repeating the reference measurement in the new instrument setting.

**Example:** "POW:NCOR ON"

**Characteristics:** \*RST value: OFF  
SCPI: device-specific

**Mode:** A

This command is available from firmware version 1.40 or higher.

**[SENSe<1|2>:]POWer:TRACe 1 to 3**

This command assigns the channel/adjacent channel power measurement to the indicated trace in the selected measurement window. The corresponding trace must be active, i.e. its state must be different from blank.

**Note:** *The measurement of the occupied bandwidth (OBW) is performed on the trace on which marker 1 is positioned. To evaluate another trace, marker 1 must be positioned to another trace with CALCulate:MARKer:TRACe.*

**Example:** "POW:TRAC 2" 'Assigns the measurement in screen A to trace 2.  
"SENS2:POW:TRAC 3" 'Assigns the measurement in screen B to trace 3.

**Characteristics:** \*RST value: -  
SCPI: device-specific

**Mode:** A

## SENSe:ROSCillator Subsystem

This subsystem controls the reference oscillator. The numeric suffix in SENSe is irrelevant for the commands of this subsystem.

COMMAND	PARAMETERS	UNIT	COMMENT
[SENSe<1 2>] :ROSCillator :SOURce [:INTernal] :TUNe :SAVe	INTernal   EXTernal  <numeric_value>	--	no query

### [SENSe<1|2>:]ROSCillator:SOURce INTernal | EXTernal

This command controls selection of the reference oscillator.

If the external reference oscillator is selected, the reference signal must be connected to the rear panel of the instrument.

**Example:** "ROSC:SOUR EXT"

**Characteristics:** \*RST value: –  
SCPI: conforming

**Mode:** all

### [SENSe<1|2>:]ROSCillator[:INTernal]:TUNE 0 to 4095

This command defines the value for the tuning of the internal reference oscillator.

The reference oscillator should be tuned only if an error has been detected in the frequency accuracy check. After rebooting the instrument, the factory-set reference frequency or the previously saved reference frequency is restored.

**Note:** This command is only available at service level 1.

**Example:** "ROSC:TUN 128"

**Characteristics:** \*RST value: –  
SCPI: device-specific

**Mode:** all

### [SENSe<1|2>:]ROSCillator[:INTernal]:TUNE:SAVe

This command saves the new value for the tuning of the internal reference oscillator. The factory-set value in the EEPROM is overwritten.

**Note:** This command is only available at service level 1.

**Example:** "ROSC:TUN:SAV"

**Characteristics:** \*RST value: –  
SCPI: device-specific

**Mode:** all

## SENSe:SWEep Subsystem

This subsystem controls the sweep parameters. The measurement windows are selected by SENSE1 (screen A) and SENSE2 (screen B).

COMMAND	PARAMETERS	UNIT	COMMENT
[SENSe<1 2>] :SWEep			
:TIME	<numeric_value>	S	
:AUTO	<Boolean>	--	
:COUNT	<numeric_value>	--	
:EGATe	<Boolean>	--	
:TYPE	LEVe EDGE	--	
:POLarity	POSitive NEGative	--	
:HOLDoff	<numeric_value>	S	
:LENGth	<numeric_value>	S	
:SOURce	EXTernal  RFPower   IFPower		
:POINTs	<numeric_value>		

**[SENSe<1|2>]:SWEep:TIME** 2,5ms to 16000s (frequency domain) | 1 $\mu$ s to 16000s (time domain)

This command defines the sweep time. The available time values are different in the frequency domain (2.5 ms to 16000s with span > 0) and in the time domain (1  $\mu$ s to 16000s with span = 0).

If SWEep:TIME is directly programmed, automatic coupling to resolution bandwidth and video bandwidth is switched off.

**Note:** This command is not available for GSM/EDGE measurements modulation accuracy (MAC), phase/frequency error (PFE), power versus time (PVT) and carrier power (CPW).

**Example:** "SWE:TIME 10s"

**Characteristics:** \*RST value - (AUTO is set to ON)  
SCPI: conforming

**Mode:** A, GSM/EDGE, FM

**[SENSe<1|2>]:SWEep:TIME:AUTO** ON | OFF

This command controls the automatic coupling of the sweep time to the frequency span and bandwidth settings.

If SWEep:TIME is directly programmed, automatic coupling is switched off.

**Note:** This command is not available for GSM/EDGE measurements modulation accuracy (MAC), phase/frequency error (PFE), power versus time (PVT) and carrier power (CPW).

**Example:** "SWE:TIME:AUTO ON" 'Switches on the coupling to frequency span and bandwidths.

**Characteristics:** \*RST value: ON  
SCPI: conforming

**Mode:** A, GSM/EDGE



**[SENSe<1|2>:]SWEep:COUNT** 0 to 32767

This command defines the number of sweeps started with single sweep, which are used for calculating the average or maximum value. In average mode, the value 0 defines a continuous averaging of measurement data over 10 sweeps.

**Example:**

"SWE:COUN 64"	'Sets the number of sweeps to 64.
"INIT:CONT OFF"	'Switches to single-sweep mode.
"INIT;*WAI"	'Starts a sweep and waits for its end.

**Characteristics:** \*RST value: 0  
SCPI: conforming

**Mode:** A, GSM/EDGE, FM

**[SENSe<1|2>:]SWEep:EGATe** ON | OFF

This command switches on/off the sweep control by an external gate signal. If the external gate is selected the trigger source is automatically switched to EXTERNAL as well.

In case of measurement with external gate, the measured values are recorded as long as the gate is opened. There are two possibilities:

1. The gate is edge-triggered ("SWEep:EGATe:TYPE EDGE"):
 

After detection of the set gate signal edge, the gate remains open until the gate delay (SWEep:EGATe:HOLDoff) has expired.
2. The gate is level-triggered ("SWEep:EGATe:TYPE LEVEL"):
 

After detection of the gate signal, the gate remains open until the gate signal disappears.

A delay between applying the gate signal and the start of recording measured values can be defined with SWEep:EGATe:HOLDoff.

During a sweep the gate can be opened and closed several times. The synchronization mechanisms with \*OPC, \*OPC? and \*WAI remain completely unaffected.

The sweep end is detected when the required number of measurement points (501 in analyzer mode) has been recorded.

**Note:** This command is not available for GSM/EDGE measurements modulation accuracy (MAC), phase/frequency error (PFE), power versus time (PVT), carrier power (CPW), spectrum due to switching (TRA) and spurious emissions (SPU).

**Example:**

"SWE:EGAT ON"	'Switches on the external gate mode.
"SWE:EGAT:TYPE EDGE"	'Switches on the edge-triggered mode.
"SWE:EGAT:HOLD 100US"	'Sets the gate delay to 100 µs.
"SWE:EGAT:LEN 500US"	'Sets the gate opening time to 500 µs.
"INIT;*WAI"	'Starts a sweep and waits for its end.

**Characteristics:** \*RST value: OFF  
SCPI: device-specific

**Mode:** A, GSM/EDGE

**[SENSe<1|2>:]SWEep:EGATe:TYPE** LEVEL | EDGE

This command sets the type of triggering (level or edge) by the external gate signal.

The gate opening time cannot be defined with the parameter EGATe:LENGth in case of level triggering. The gate is closed when the gate signal disappears.

**Note:** This command is not available for GSM/EDGE measurements modulation accuracy (MAC), phase/frequency error (PFE), power versus time (PVT), carrier power (CPW), spectrum due to switching (TRA) and spurious emissions (SPU).

**Example:** "SWE:EGAT:TYPE EDGE"

**Characteristics:** \*RST value: EDGE  
SCPI: device-specific

**Mode:** A, GSM/EDGE

**[SENSe<1|2>:]SWEep:EGATe:POLarity** POSitive | NEGative

This command determines the polarity of the external gate signal. The setting is valid both for the edge of an edge-triggered signal and the level of a level-triggered signal.

**Note:** This command is not available for GSM/EDGE measurements modulation accuracy (MAC), phase/frequency error (PFE), power versus time (PVT), carrier power (CPW), spectrum due to switching (TRA) and spurious emissions (SPU).

**Example:** "SWE:EGAT:POL POS"

**Characteristics:** \*RST value: POSitive  
SCPI: device-specific

**Mode:** A, GSM/EDGE

**[SENSe<1|2>:]SWEep:EGATe:HOLDoff** 125 ns to 100 s

This command defines the delay time between the external gate signal and the continuation of the sweep.

**Note:** This command is not available for GSM/EDGE measurements modulation accuracy (MAC), phase/frequency error (PFE), power versus time (PVT), carrier power (CPW), spectrum due to switching (TRA) and spurious emissions (SPU).

**Example:** "SWE:EGAT:HOLD 100us"

**Characteristics:** \*RST value: 0s  
SCPI: device-specific

**Mode:** A, GSM/EDGE

**[SENSe<1|2>:]SWEep:EGATe:LENGth** 0 to 100 s

In case of edge triggering, this command determines the time interval during which the instrument sweeps.

**Note:** This command is not available for GSM/EDGE measurements modulation accuracy (MAC), phase/frequency error (PFE), power versus time (PVT), carrier power (CPW), spectrum due to switching (TRA) and spurious emissions (SPU).

**Example:** "SWE:EGAT:LENG 10ms"

**Characteristics:** \*RST value: 0s  
SCPI: device-specific

**Mode:** A, GSM/EDGE

**[SENSe<1|2>:]SWEep:EGATe:SOURce** EXTernal | IFPower | RFPower

This command toggles between external gate signal and IF power signal as a signal source for the gate mode. If an IF power signal is used, the gate is opened as soon as a signal at > -20 dBm is detected within the IF path bandwidth (10 MHz).

**Notes:**

*Selection RFPower is only available with option FSP-B6 (TV and RF Trigger).*

*This command is not available for GSM/EDGE measurements modulation accuracy (MAC), phase/frequency error (PFE), power versus time (PVT), carrier power (CPW), spectrum due to switching (TRA) and spurious emissions (SPU).*

**Example:** "SWE:EGAT:SOUR IFP" 'Switches the gate source to IF power.

**Characteristics:** \*RST value: IFPower  
SCPI: device-specific

**Mode:** A

**[SENSe<1|2>:]SWEep:POINts** 125 to 8001

This command defines the number of measurement points for one sweep run.

**Parameter:** SENSe<1|2>]SWEep:POINts <numeric\_value>  
<numeric\_value>::= 125, 251, 501, 1001, 2001, 4001, 8001

**Example:** "SWE:POIN 251"

**Mode:** "SWE:POIN 313"

**Characteristics:** \*RST value: 501  
SCPI: conforming

**Modes:** A

## SENSe:TV Subsystem

This subsystem controls the TV trigger part of option FSP-B6 (TV and RF trigger). The setup of the individual trigger parameters is included in subsystem TRIGger.

COMMAND	PARAMETERS	UNIT	COMMENT
[SENSe<1 2>]			
:TV [:STATe] :CCVS	<Boolean> INTernal   EXTernal	-- --	Option TV and RF Trigger

### [SENSe<1|2>:]TV[:STATe]ON | OFF

This command switches triggering on TV signals on or off.

**Example:** "TV ON"

**Characteristics:** \*RST value: OFF  
SCPI: device-specific

**Modes:** A-T

This command is only available with option FSP-B6 (TV and RF Trigger).

### [SENSe<1|2>:]TV:CCVS INTernal | EXTernal

This command selects between an internal and an external CCVS signal as TV demodulator input signal.

**Example:** " TV:CCVS EXT"

**Characteristics:** \*RST value: INT  
SCPI: device-specific

**Modes:** A-T

This command is only available with option FSP-B6 (TV and RF Trigger).

## SOURce Subsystem

The SOURce subsystem controls the output signals of the instrument if the options tracking generator (B9) or External Generator Control (B10) are installed. The measurement window is selected by SOURce1 (screen A) and SOURce2 (screen B).

### Internal Tracking Generator

COMMAND	PARAMETERS	UNIT	COMMENT
SOURce<1 2> :AM :STATe :DM :STATe :FM :STATe :DEVIation :FREQuency :OFFSet :POWer [:LEVel] [:IMMediate] [:AMPLitude] :OFFSet	<Boolean> <Boolean> <Boolean> <numeric_value> <numeric_value> <numeric_value> <numeric_value>	    HZ HZ  DBM DB	Tracking generator option

#### SOURce<1|2>:AM:STATe ON | OFF

This command switches on or off the external amplitude modulation of the tracking generator in the selected measurement window.

External I/Q modulation is switched off, if active. This command is only valid in conjunction with the tracking generator option B9.

**Example:** "SOUR:AM:STAT ON " 'Switches on the external amplitude modulation of the tracking generator for screen A.

**Characteristics:** \*RST value: OFF  
SCPI: conforming

Modes: all

#### SOURce<1|2>:DM:STATe ON | OFF

This command switches on or off the external I/Q modulation of the tracking generator in the selected measurement window.

External AM and external FM are switched off, if active. This command is only valid in conjunction with the tracking generator option FSP-B9.

**Example:** "SOUR2:DM:STAT ON " 'Switches on the external I/Q modulation of the tracking generator for screen B.

**Characteristics:** \*RST- value: OFF  
SCPI: conforming

Modes: all

**SOURce<1|2>:FM:STATe** ON | OFF

This command switches on or off the external frequency modulation of the tracking generator in the selected measurement window.

External I/Q modulation is switched off, if active. This command is only valid in conjunction with the tracking generator option B9.

**Example:**           " SOUR : FM : STAT ON " 'Switches on the external frequency modulation of the tracking generator for screen A.

**Characteristics:** \*RST value:   OFF  
SCPI:               conforming

Modes:             all

**SOURce<1|2>:FM:DEVIation** 100Hz to 10MHz

This command defines the maximum frequency deviation at 1 V input voltage at the FM input of the tracking generator.

The possible value range is 100 Hz to 10 MHz in steps of one decade.

This command is only available in connection with the Tracking Generator Option B9.

**Example:**           " SOUR : FM : DEV 1MHz " 'Sets the maximum frequency deviation of the tracking generator for screen A to 1 MHz.

**Characteristics:** \*RST value:   100 Hz  
SCPI:               conforming

Operating mode:   all

**SOURce<1|2>:FREQuency:OFFSet** -150MHz to 150MHz

This command defines a frequency offset of the tracking generator for the indicated measurement window. Frequency-converting DUTs can be measured with this setting.

The possible value range is -150 MHz to 150 MHz. It should be noted that the terms (start frequency - tracking frequency offset) and (stop frequency - tracking frequency offset) are both > 1 kHz or both < -1 kHz.

External I/Q modulation is switched off, if active. This command is only valid in conjunction with the tracking generator option B9.

**Example:**           " SOUR : FREQ : OFFS 10MHz " 'Switches on the frequency offset of the tracking generator for screen A to 10 MHz.

**Characteristics:** \*RST value:   0 Hz  
SCPI:               conforming

Modes:             all

**SOURce<1|2>:POWer[:LEVel][:IMMediate][:AMPLitude] <numeric\_value>**

This command defines the output level of the tracking generator in the current measurement window.

This command is only valid in conjunction with the tracking generator option B9.

**Parameter:** <numeric value> ::= -30 dBm to 5 dBm. (-100 dBm to +5 dBm with option B12)

**Example:** "SOUR:POW -20dBm" 'Sets the tracking generator level in screen A to -20 dBm.

**Characteristics:** \*RST value: -20 dBm  
SCPI: conforming

**Modes:** all

**SOURce<1|2>:POWer[:LEVel][:IMMediate]:OFFSet -200dB to +200dB**

This command defines a level offset for the tracking generator level. Thus, for example, attenuators or amplifiers at the output of the tracking generator can be taken into account for the setting.

This command is only valid in conjunction with the tracking generator option FSP-B9.

**Example:** "SOUR:POW:OFFS -10dB" 'Sets the level offset of the tracking generator in screen A to -20 dBm.

**Characteristics:** \*RST- value: 0dB  
SCPI: conforming

**Modes:** all

## SOURce:EXTernal Subsystem

The SOURce:EXTernal subsystem controls the operation of the unit with option Ext. Generator Control (B10). The commands are only valid for the selected window, with SOURce1 changing the setting in screen A and SOURce2 the setting in screen B.

The selection of the external generator 1 or 2 is via EXTernal<1|2>.

**Note:** The commands of the SOURce:EXTernal subsystem assume that the addressed generator was correctly configured with the commands of subsystem SYSTEM:COMMunicate:GPIB:RDEvice:GENerator.

If no external generator is selected, if the IEC bus address is not correct or the generator is not ready for operation, an execution error will be generated.

COMMAND	PARAMETER	UNIT	COMMENT
SOURce<1 2> :EXTernal<1 2> [:STATe]	<Boolean>		Ext. generator option
:FREQuency :OFFSet [:FACTor]	<numeric_value>	HZ	
:NUMerator :DENominator	<numeric_value> <numeric_value>		
:SWEep [:STATe]	<Boolean>		
:POWer [:LEVel]	<numeric_value>	DBM	
:ROSCillator [:SOURce]	INTernal   EXTernal		

### SOURce<1|2>:EXTernal<1|2>[:STATe] ON | OFF

This command activates or deactivates the external generator selected with SOUR:EXT<1|2>:FREQ:SWE ON in the selected window.

The suffix behind EXTernal is irrelevant for this command.

This command is only available in connection with option Ext. Generator Control B10.

**Example:**

```
"SYST:COMM:RDEV:GEN1:TYPE 'SMP02'"
'Selects SMP02 as generator 1.

"SYST:COMM:RDEV:GEN1:LINK TTL"
'Selects IECBUS + TTL link as interface.

"SYST:COMM:RDEV:GEN1:ADDR 28"
'Sets the generator address to 28.

"SOUR:EXT1:FREQ:SWE ON"
'Activates the frequency sweep for generator 1.

" SOUR:EXT ON"
'Activates the external generator
```

**Characteristics:** \*RST value: OFF  
SCPI: device-specific

**Mode:** all



**SOURce<1|2>:EXTernal<1|2>:FREQUency[:FACTor]:DENominator <numeric\_value>**

This command defines the denominator of the factor with which the analyzer frequency is multiplied in order to obtain the transmit frequency of the selected generator 1 or 2 in the selected window.

**Note:** Select the multiplication factor in a way that the frequency range of the generator is not exceeded by the following formula

$$F_{Generator} = F_{Analyzer} * \frac{Numerator}{Denominator} + F_{Offset}$$

if applied to the start and stop frequency of the analyzer.

This command is only valid in combination with option Ext. Generator Control B10.

**Example:** "SOUR:EXT:FREQ:NUM 4"

"SOUR:EXT:FREQ:DEN 3"

'Sets a multiplication factor of 4/3, i.e. the 'transmit frequency of the generator is '4/3 times the analyzer frequency.

**Characteristics:** \*RST value: 1  
SCPI: device-specific

**Mode:** all

**SOURce<1|2>:EXTernal<1|2>:FREQUency[:FACTor]:NUMerator <numeric\_value>**

This command defines the numerator of the factor with which the analyzer frequency is multiplied to obtain the transmit frequency of the selected generator 1 or 2 in the selected window.

**Note:** Select the multiplication factor so that the frequency range of the generator is not exceeded if the following formula

$$F_{Generator} = F_{Analyzer} * \frac{Numerator}{Denominator} + F_{Offset}$$

is applied to the start and stop frequency of the analyzer.

This command is only valid in combination with option Ext. Generator Control B10.

**Example:** "SOUR:EXT:FREQ:NUM 4"

"SOUR:EXT:FREQ:DEN 3"

'Sets a multiplication factor of 4/3, i.e. the 'transmit frequency of the generator is '4/3 times the analyzer frequency.

**Characteristics:** \*RST value: 1  
SCPI: device-specific

**Mode:** all

**SOURce<1|2>:EXTernal<1|2>:FREQUency:OFFSet <numeric\_value>**

This command defines the frequency offset of the selected generator 1 or 2 with reference to the receive frequency in the selected window.

**Note:** Select the frequency offset of the generator so that the frequency range of the generator is not exceeded with the following formula

$$F_{Generator} = F_{Analyzer} * \frac{Numerator}{Denominator} + F_{Offset}$$

applied to the start and stop frequency of the analyzer.

This command is only valid in combination with option Ext. Generator Control B10.

**Example:** "SOUR:EXT:FREQ:OFFS 1GHZ" 'Sets a frequency offset of the generator transmit frequency compared to the analyzer receive frequency of 1 GHz.

**Characteristics:** \*RST value: 0 Hz  
SCPI: device-specific

**Mode:** all

**SOURce<1|2>:EXTernal<1|2>:FREQUency:SWEep[:STATe] ON | OFF**

This command activates or deactivates the frequency sweep for generator 1 or 2 in the selected window.

This command is only valid in combination with option Ext. Generator Control B10.

**Example:** "SOUR:EXT1:FREQ:SWE ON" 'Activates the frequency sweep for ext. generator 1.

**Characteristics:** \*RST value: OFF  
SCPI: device-specific

**Mode:** all

**SOURce<1|2>:EXTernal<1|2>:POWER[:LEVel] <numeric\_value>**

This command sets the output power of the selected generator 1 or 2 in the selected window.

This command is only valid in combination with option Ext. Generator Control B10.

**Example:** "SOUR:EXT:POW -30dBm" 'Sets the generator level to -30 dBm

**Characteristics:** \*RST value: -20 dBm  
SCPI: device-specific

**Mode:** all

**SOURce<1|2>:EXTernal<1|2>:ROSCillator[:SOURce]** INTernal | EXTernal

This command switches between external and internal reference oscillator for the frequency processing of external generator 1 and 2.

The command always works on both generators. Therefore, the numeric suffix in EXTernal<1|2> is not significant.

This command is only valid in combination with option Ext. Generator Control B10.

**Example:** "SOUR:EXT:ROSC EXT" 'switches to external reference oscillator

**Characteristics:** \*RST value: INT  
SCPI: device-specific

**Mode:** all

This command is available from firmware version 1.40 or higher.

# STATus Subsystem

The STATus subsystem contains the commands for the status reporting system (see Chapter 5, Status Reporting System"). \*RST does not influence the status registers.

COMMAND	PARAMETERS	UNIT	COMMENT
STATus			
:OPERation			
[:EVENT?]	--	--	
:CONDition?	--	--	
:ENABle	0 to 65535	--	
:PTRansition	0 to 65535	--	
:NTRansition	0 to 65535	--	
:PRESet	--	--	
:QUEStionable			
[:EVENT?]	--	--	
:CONDition?	--	--	
:ENABle	0 to 65535	--	
:PTRansition	0 to 65535	--	
:NTRansition	0 to 65535	--	
:POWer			
[:EVENT?]	--	--	
:CONDition?	--	--	
:ENABle	0 to 65535	--	
:PTRansition	0 to 65535	--	
:NTRansition	0 to 65535	--	
:LIMit<1 2>			
[:EVENT?]	--	--	
:CONDition?	--	--	
:ENABle	0 to 65535	--	
:PTRansition	0 to 65535	--	
:NTRansition	0 to 65535	--	
:LMARgin<1 2>			
[:EVENT?]	--	--	
:CONDition?	--	--	
:ENABle	0 to 65535	--	
:PTRansition	0 to 65535	--	
:NTRansition	0 to 65535	--	
:ACPLimit			
[:EVENT?]	--	--	
:CONDition?	--	--	
:ENABle	0 to 65535	--	
:PTRansition	0 to 65535	--	
:NTRansition	0 to 65535	--	
:FREQuency			
[:EVENT?]	--	--	
:CONDition?	--	--	
:ENABle	0 to 65535	--	
:PTRansition	0 to 65535	--	
:NTRansition	0 to 65535	--	
:SYNC			
[:EVENT?]	--	--	
:CONDition?	--	--	
:ENABle	0 to 65535	--	
:PTRansition	0 to 65535	--	
:NTRansition	0 to 65535	--	

COMMAND	PARAMETERS	UNIT	COMMENT
STATus :QUEue [:NEXT?]	-- --	-- --	

**STATus:OPERation[:EVENT]?**

This command queries the contents of the EVENT section of the STATus:OPERation register. The contents of the EVENT section are deleted after readout.

**Example:** "STAT:OPER?"

**Characteristics:** \*RST value: –  
SCPI: conforming

**Mode:** all

**STATus:OPERation:CONDition?**

This command queries the CONDition section of the STATus:OPERation register. Readout does not delete the contents of the CONDition section. The value returned reflects the current hardware status.

**Example:** "STAT:OPER:COND?"

**Characteristics:** \*RST value: –  
SCPI: conforming

**Mode:** all

**STATus:OPERation:ENABLE 0 to 65535**

This command sets the bits of the ENABLE section of the STATus:OPERation register. The ENABLE register selectively enables the individual events of the associated EVENT section for the summary bit in the status byte.

**Example:** "STAT:OPER:ENAB 65535"

**Characteristics:** \*RST value: –  
SCPI: conforming

**Mode:** all

**STATus:OPERation:PTRansition 0 to 65535**

This command sets the edge detectors of all bits of the STATus:OPERation register from 0 to 1 for the transitions of the CONDition bit.

**Example:** "STAT:OPER:PTR 65535"

**Characteristics:** \*RST value: –  
SCPI: conforming

**Mode:** all

**STATus:OPERation:NTRansition 0 to 65535**

This command sets the edge detectors of all bits of the STATus:OPERation register from 1 to 0 for the transitions of the CONDition bit.

**Example:** "STAT:OPER:NTR 65535"

**Characteristics:** \*RST value: –  
SCPI: conforming

**Mode:** all

**STATus:PRESet**

This command resets the edge detectors and ENABLE parts of all registers to a defined value. All PTRansition parts are set to FFFFh, i.e. all transitions from 0 to 1 are detected. All NTRansition parts are set to 0, i.e. a transition from 1 to 0 in a CONDition bit is not detected. The ENABLE part of the STATus:OPERation and STATus:QUEStionable registers are set to 0, i.e. all events in these registers are not passed on.

**Example:** "STAT:PRES"

**Characteristics:** \*RST value: –  
SCPI: conforming

**Mode:** all

**STATus:QUEStionable[:EVENT]?**

This command queries the contents of the EVENT section of the STATus:QUEStionable register. The contents of the EVENT section are deleted after the readout.

**Example:** "STAT:QUES?"

**Characteristics:** \*RST value: –  
SCPI: conforming

**Mode:** all

**STATus:QUEStionable:CONDition?**

This command queries the CONDition section of the STATus:QUEStionable register. Readout does not delete the contents of the CONDition section.

**Example:** "STAT:QUES:COND?"

**Characteristics:** \*RST value: –  
SCPI: conforming

**Mode:** all

**STATus:QUEStionable:ENABle 0 to 65535**

This command sets the bits of the ENABle section of the STATus-QUEStionable register. The ENABle register selectively enables the individual events of the associated EVENT section for the summary bit in the status byte.

**Example:** "STAT:QUES:ENAB 65535"

**Characteristics:** \*RST value: –  
SCPI: conforming

**Mode:** all

**STATus:QUEStionable:PTRansition 0 to 65535**

This command sets the edge detectors of all bits of the STATus:QUEStionable register from 0 to 1 for the transitions of the CONDition bit.

**Example:** "STAT:QUES:PTR 65535"

**Characteristics:** \*RST value: –  
SCPI: conforming

**Mode:** all

**STATus:QUEStionable:NTRansition 0 to 65535**

This command sets the edge detectors of all bits of the STATus:OPERation register from 1 to 0 for the transitions of the CONDition bit.

**Example:** "STAT:QUES:NTR 65535"

**Characteristics:** \*RST value: –  
SCPI: conforming

**Mode:** all

**STATus:QUEStionable:POWer[:EVENT]?**

This command queries the contents of the EVENT section of the STATus:QUEStionable:POWer register. Readout deletes the contents of the EVENT section.

**Example:** "STAT:QUES?"

**Characteristics:** \*RST value: –  
SCPI: conforming

**Mode:** all

**STATus:QUEStionable:POWer:CONDition?**

This command queries the contents of the CONDition section of the STATus:QUEStionable:POWer register. Readout does not delete the contents of the CONDition section.

**Example:** "STAT:QUES:COND?"

**Characteristics:** \*RST value: –  
SCPI: conforming

**Mode:** all

**STATus:QUEStionable:POWer:ENABle 0 to 65535**

This command sets the bits of the ENABle section of the STATus:QUEStionable:POWer register. The ENABle register selectively enables the individual events of the associated EVENT section for the summary bit.

**Example:** "STAT:QUES:ENAB 65535"

**Characteristics:** \*RST value: –  
SCPI: conforming

**Mode:** all

**STATus:QUEStionable:POWer:PTRansition 0 to 65535**

This command sets the edge detectors of all bits of the STATus:QUEStionable:POWer register from 0 to 1 for the transitions of the CONDition bit.

**Example:** "STAT:QUES:PTR 65535"

**Characteristics:** \*RST value: –  
SCPI: conforming

**Mode:** all

**STATus:QUEStionable:POWer:NTRansition 0 to 65535**

This command sets the edge detectors of all bits of the STATus:QUEStionable:POWer register from 1 to 0 for the transitions of the CONDition bit.

**Example:** "STAT:QUES:NTR 65535"

**Characteristics:** \*RST value: –  
SCPI: conforming

**Mode:** all

**STATus:QUEStionable:LIMit<1|2> [:EVENT]?**

This command queries the contents of the EVENT section of the STATus:QUEStionable:LIMit register. Readout deletes the contents of the EVENT section.

**Example:** "STAT:QUES?"

**Characteristics:** \*RST value: –  
SCPI: device-specific

**Mode:** all

**STATus:QUEStionable:LIMit<1|2>:CONDition?**

This command queries the contents of the CONDition section of the STATus:QUEStionable:LIMit register.

Readout does not delete the contents of the CONDition section.

**Example:** "STAT:QUES:LIM:COND?"

**Characteristics:** \*RST value: –  
SCPI: device-specific

**Mode:** all

**STATus:QUEStionable:LIMit<1|2>:ENABle 0 to 65535**

This command sets the bits of the ENABle section of the STATus:QUEStionable register. The ENABle register selectively enables the individual events of the associated EVENT section for the summary bit.

**Example:** "STAT:QUES:ENAB 65535"

**Characteristics:** \*RST value: –  
SCPI: device-specific

**Mode:** all



**STATus:QUEStionable:LIMit<1|2>:PTRansition** 0 to 65535

This command sets the edge detectors of all bits of the STATus:QUEStionable:LIMit register from 0 to 1 for the transitions of the CONDition bit.

**Example:** "STAT:QUES:PTR 65535"

**Characteristics:** \*RST value: –  
SCPI: device-specific

**Mode:** all

**STATus:QUEStionable:LIMit<1|2>:NTRansition** 0 to 65535

This command sets the edge detectors of all bits of the STATus:QUEStionable:LIMit register from 1 to 0 for the transitions of the CONDition bit.

**Example:** "STAT:QUES:NTR 65535"

**Characteristics:** \*RST value: –  
SCPI: device-specific

**Mode:** all

**STATus:QUEStionable:LMARgin<1|2> [:EVENTt]?**

This command queries the contents of the EVENTt section of the STATus:QUEStionable:LMARgin register. Readout deletes the contents of the EVENTt section.

**Example:** "STAT:QUES:LMAR?"

**Characteristics:** \*RST value: –  
SCPI: device-specific

**Mode:** all

**STATus:QUEStionable:LMARgin<1|2>:CONDition?**

This command queries the contents of the CONDition section of the STATus:QUEStionable:LMARgin register. Readout does not delete the contents of the CONDition section.

**Example:** "STAT:QUES:LMAR:COND?"

**Characteristics:** \*RST value: –  
SCPI: device-specific

**Mode:** all

**STATus:QUEStionable:LMARgin<1|2>:ENABle** 0 to 65535

This command sets the bits of the ENABle section of the STATus:QUEStionable:LMARgin register. The ENABle register selectively enables the individual events of the associated EVENTt section for the summary bit.

**Example:** "STAT:QUES:LMAR:ENAB 65535"

**Characteristics:** \*RST value: –  
SCPI: device-specific

**Mode:** all

**STATus:QUESTionable:LMARgin<1|2>:PTRansition 0 to 65535**

This command sets the edge detectors of all bits of the STATus:QUESTionable:LMARgin register from 0 to 1 for the transitions of the CONDition bit.

**Example:** "STAT:QUES:LMAR:PTR 65535"

**Characteristics:** \*RST value: –  
SCPI: device-specific

**Mode:** all

**STATus:QUESTionable:LMARgin<1|2>:NTRansition 0 to 65535**

This command sets the edge detectors of all bits of the STATus:QUESTionable:LMARgin register from 1 to 0 for the transitions of the CONDition bit.

**Example:** "STAT:QUES:LMAR:NTR 65535"

**Characteristics:** \*RST value: –  
SCPI: device-specific

**Mode:** all

**STATus:QUESTionable:SYNC[:EVENT]?**

This command queries the contents of the EVENT section of the STATus:QUESTionable:SYNC register. Readout deletes the contents of the EVENT section.

**Example:** "STAT:QUES:SYNC?"

**Characteristics:** \*RST value: –  
SCPI: device-specific

**Modes:** all

**STATus:QUESTionable:SYNC:CONDition?**

This command queries the contents of the CONDition section of the STATus:QUESTionable:SYNC register. Readout does not delete the contents of the CONDition section.

**Example:** "STAT:QUES:SYNC:COND?"

**Characteristics:** \*RST value: –  
SCPI: device-specific

**Modes:** all

**STATus:QUESTionable:SYNC:ENABLE 0 to 65535**

This command sets the bits of the ENABLE section of the STATus:QUESTionable: SYNC register. The ENABLE register selectively enables the individual events of the associated EVENT section for the sum bit in the status byte.

**Example:** "STAT:QUES:SYNC:ENAB 65535"

**Characteristics:** \*RST value: –  
SCPI: device-specific

**Modes:** all

**STATus:QUEStionable:SYNC:PTRansition** 0 to 65535

This command sets the edge detectors of all bits of the STATus:QUEStionable: SYNC register from 0 to 1 for the transitions of the CONDition bit.

**Example:** "STAT:QUES:SYNC:PTR 65535"

**Characteristics:** \*RST value: –  
SCPI: device-specific

**Modes:** all

**STATus:QUEStionable:SYNC:NTRansition** 0 to 65535

This command sets the edge detectors of all bits of the STATus:QUEStionable: SYNC register from 1 to 0 for the transitions of the CONDition bit.

**Example:** "STAT:QUES:SYNC:NTR 65535"

**Characteristics:** \*RST value: –  
SCPI: device-specific

**Modes:** all

**STATus:QUEStionable:ACPLimit[:EVENT]?**

This command queries the contents of the EVENT section of the STATus:QUEStionable:ACPLimit register. Readout deletes the contents of the EVENT section.

**Example:** "STAT:QUES:ACPL?"

**Characteristics:** \*RST value: –  
SCPI: device-specific

**Mode:** all

**STATus:QUEStionable:ACPLimit:CONDition?**

This command queries the contents of the CONDition section of the STATus:QUEStionable:ACPLimit register. Readout does not delete the contents of the CONDition section.

**Example:** "STAT:QUES:ACPL:COND?"

**Characteristics:** \*RST value: –  
SCPI: device-specific

**Mode:** all

**STATus:QUEStionable:ACPLimit:ENABLE** 0 to 65535

This command sets the bits of the ENABLE section of the STATus:QUEStionable:ACPLimit register. The ENABLE register selectively enables the individual events of the associated EVENT section for the summary bit.

**Example:** "STAT:QUES:ACPL:ENAB 65535"

**Characteristics:** \*RST value: –  
SCPI: device-specific

**Mode:** all

**STATus:QUEStionable:ACPLimit:PTRansition 0 to 65535**

This command sets the edge detectors of all bits of the STATus:QUEStionable: ACPLimit register from 0 to 1 for the transitions of the CONDition bit.

**Example:** "STAT:QUES:ACPL:PTR 65535"

**Characteristics:** \*RST value: –  
SCPI: device-specific

**Mode:** all

**STATus:QUEStionable:ACPLimit:NTRansition 0 to 65535**

This command sets the edge detectors of all bits of the STATus:QUEStionable: ACPLimit register from 1 to 0 for the transitions of the CONDition bit.

**Example:** "STAT:QUES:ACPL:NTR 65535"

**Characteristics:** \*RST value: –  
SCPI: device-specific

**Mode:** all

**STATus:QUEStionable:FREQuency[:EVENT]?**

This command queries the contents of the EVENT section of the STATus:QUEStionable: FREQuency register.

**Example:** "STAT:QUES:FREQ?"

**Characteristics:** \*RST value: –  
SCPI: device-specific

**Mode:** all

Readout deletes the contents of the EVENT section.

**STATus:QUEStionable:FREQuency:CONDition?**

This command queries the contents of the CONDition section of the STATus:QUEStionable:FREQuency register. Readout does not delete the contents of the CONDition section.

**Example:** "STAT:QUES:FREQ:COND?"

**Characteristics:** \*RST value: –  
SCPI: device-specific

**Mode:** all

**STATus:QUEStionable:FREQuency:ENABLE 0 to 65535**

This command sets the bits of the ENABLE section of the STATus:QUEStionable:FREQuency register. The ENABLE register selectively enables the individual events of the associated EVENT section for the summary bit.

**Example:** "STAT:QUES:FREQ:ENAB 65535"

**Characteristics:** \*RST value: –  
SCPI: device-specific

**Mode:** all

**STATus:QUEStionable:FREQuency:PTRansition** 0 to 65535

This command sets the edge detectors of all bits of the STATus:QUEStionable:FREQuency register from 0 to 1 for the transitions of the CONDition bit.

**Example:** "STAT:QUES:FREQ:PTR 65535"

**Characteristics:** \*RST value: –  
SCPI: device-specific

**Mode:** all

**STATus:QUEStionable:FREQuency:NTRansition** 0 to 65535

This command sets the edge detectors of all bits of the STATus:QUEStionable:FREQuency register from 1 to 0 for the transitions of the CONDition bit.

**Example:** "STAT:QUES:FREQ:NTR 65535"

**Characteristics:** \*RST value: –  
SCPI: device-specific

**Mode:** all

**STATus:QUEue[:NEXT]?**

This command returns the earliest entry to the error queue and deletes it.

Positive error numbers indicate device-specific errors, negative error numbers are error messages defined by SCPI (cf. Chapter 9). If the error queue is empty, the error number 0, "no error", is returned. This command is identical with the command `SYSTEM:ERROR`.

**Example:** "STAT:QUE?"

**Characteristics:** \*RST value: –  
SCPI: conforming

**Mode:** all

# SYSTEM Subsystem

This subsystem contains a series of commands for general functions.

COMMAND	PARAMETERS	UNIT	COMMENT
SYSTEM			
:COMMunicate			
:GPIB			
[:SELF]			
:ADDRess	0 to 30	--	
:RTERminator	LFEoi   EOI		
:RDEVice			
:GENerator<1 2>			ext. generator option
:ADDRess	0 to 30		ext. generator option
:RDEVice			
:GENerator<1 2>			tracking generator option
:LINK	GPIB   TTL		tracking generator option
:TYPE	<name>		tracking generator option
:SERial			
:CONTRol			
:DTR	IBFull   OFF		
:RTS	IBFull   OFF		
[:RECeive]			
:BAUD	<numeric_value>	--	
:BITS	7   8	--	
:PARity			
[:TYPE]	EVEN   ODD   NONE		
:SBITs	1   2	--	
:PACE	XON   NONE		
:PRINter			
:ENUMerate			
[:NEXT?]			query only
:FIRSt?			query only
:SELect<1 2>	<printer_name>		
:DATE	<num>, <num>, <num>	--	
:DISPlay			
:FPANel	<Boolean>		
:UPDate	<Boolean>		
:ERRor?	--	--	query only
:FIRMware			
:UPDate	<string>		no query
:FIRMware			
:UPDate	<string>		no query
:LANGuage	<string>	--	no query
:PASSword			
[:CENable]	<string>		no query
:PRESet	--	--	no query
:SET	<block>	--	
:SPEaker		--	audio demodulator option
:VOLume	<numeric_value>		
:TIME	0 to 23, 0 to 59, 0 to 59		
:VERSiOn?	--		query only

**SYSTEM:COMMunicate:GPIB[:SELF]:ADDRESS** 0 to 30

This command changes the IEC/IEEE-bus address of the unit.

**Example:** "SYST:COMM:GPIB:ADDR 18"

**Characteristics:** \*RST value: - (no influence on this parameter, factory default 20)  
SCPI: conforming

**Mode:** all

**SYSTEM:COMMunicate:GPIB[:SELF]:RTERminator** LFEOI | EOI

This command changes the GPIB receive terminator.

According to the standard the terminator in ASCII is <LF> and/or <EOI>. For binary data transfers (e.g. trace data) from the control computer to the instrument, the binary code (0AH) used for <LF> might be included in the binary data block, and therefore should not be interpreted as a terminator in this particular case. This can be avoided by changing the receive terminator to EOI.

Output of binary data from the instrument to the control computer does not require such a terminator change.

**Example:** "SYST:COMM:GPIB:RTER EOI"

**Characteristics:** \*RST value: -- (no influence on this parameter, factory default LFEOI)  
SCPI: device-specific

**Mode:** all

**SYSTEM:COMMunicate:GPIB:RDEvice:GENerator<1|2>:ADDRESS** 0 to 30

This command changes the IEC/IEEE-bus address of the device selected as external generator 1 or 2.

**Note:** *If two generators are connected at the same time to IECBUS 2 their addresses must be different.*

*The command is only available with option Ext. Generator Control B10.*

**Example:** "SYST:COMM:GPIB:RDEV:GEN1:ADDR 19" 'Changes the IECBUS address  
'of generator 1 to 19

**Characteristics:** \*RST value: 28  
SCPI: device-specific

**Operating mode:** all





**SYSTEM:COMMunicate:RDEvice:GENerator<1|2>:TYPE <name>**

This command selects the type of external generator 1 or 2. The following table shows the available generator types including the associated interface:

Generator	Interface Type	Generator Min Freq	Generator Max Freq	Generator Min Power dBm	Generator Max Power dBm
SME02	TTL	5 kHz	1.5 GHz	-144	+16
SME03	TTL	5 kHz	3.0 GHz	-144	+16
SME06	TTL	5 kHz	6.0 GHz	-144	+16
SMG	GPIB	100 kHz	1.0 GHz	-137	+13
SMGL	GPIB	9 kHz	1.0 GHz	-118	+30
SMGU	GPIB	100 kHz	2.16 GHz	-140	+13
SMH	GPIB	100 kHz	2.0 GHz	-140	+13
SMHU	GPIB	100 kHz	4.32 GHz	-140	+13
SMIQ02B	TTL	300 kHz	2.2 GHz	-144	+13
SMIQ02E	GPIB	300 kHz	2.2 GHz	-144	+13
SMIQ03B	TTL	300 kHz	3.3 GHz	-144	+13
SMIQ03E	GPIB	300 kHz	3.3 GHz	-144	+13
SMIQ04B	TTL	300 kHz	4.4 GHz	-144	+10
SMIQ06B	TTL	300 kHz	6.4 GHz	-144	+10
SML01	GPIB	9 kHz	1.1 GHz	-140	+13
SML02	GPIB	9 kHz	2.2 GHz	-140	+13
SML03	GPIB	9 kHz	3.3 GHz	-140	+13
SMR20	TTL	1 GHz	20 GHz	-130 <sup>2)</sup>	+11 <sup>2)</sup>
SMR20B11 <sup>1)</sup>	TTL	10 MHz	20 GHz	-130 <sup>2)</sup>	+13 <sup>2)</sup>
SMR27	TTL	1 GHz	27 GHz	-130 <sup>2)</sup>	+11 <sup>2)</sup>
SMR27B11 <sup>1)</sup>	TTL	10 MHz	27 GHz	-130 <sup>2)</sup>	+12 <sup>2)</sup>
SMR30	TTL	1 GHz	30 GHz	-130 <sup>2)</sup>	+11 <sup>2)</sup>
SMR30B11 <sup>1)</sup>	TTL	10 MHz	30 GHz	-130 <sup>2)</sup>	+12 <sup>2)</sup>
SMR40	TTL	1 GHz	40 GHz	-130 <sup>2)</sup>	+9 <sup>2)</sup>
SMR40B11 <sup>1)</sup>	TTL	10 MHz	40 GHz	-130 <sup>2)</sup>	+12 <sup>2)</sup>
SMR50	TTL	1 GHz	50 GHz	-130 <sup>2)</sup>	+9 <sup>2)</sup>
SMR50B11 <sup>1)</sup>	TTL	10 MHz	50 GHz	-130 <sup>2)</sup>	+12 <sup>2)</sup>
SMR60	TTL	1 GHz	60 GHz	-130 <sup>2)</sup>	+9 <sup>2)</sup>
SMR60B11 <sup>1)</sup>	TTL	10 MHz	60 GHz	-130 <sup>2)</sup>	+12 <sup>2)</sup>
SMP02	TTL	10 MHz	20 GHz	-130 <sup>3)</sup>	+17 <sup>3)</sup>
SMP03	TTL	10 MHz	27 GHz	-130 <sup>3)</sup>	+13 <sup>3)</sup>
SMP04	TTL	10 MHz	40 GHz	-130 <sup>3)</sup>	+12 <sup>3)</sup>
SMP22	TTL	10 MHz	20 GHz	-130 <sup>3)</sup>	+20 <sup>3)</sup>
SMT02	GPIB	5.0 kHz	1.5 GHz	-144	+13
SMT03	GPIB	5.0 kHz	3.0 GHz	-144	+13
SMT06	GPIB	5.0 kHz	6.0 GHz	-144	+13
SMV03	GPIB	9 kHz	3.3 GHz	-140	+13

<sup>1)</sup> Requires mounting of option SMR-B11.

<sup>2)</sup> Maximum/Minimum Power depends on the presence of option SMR-B15/-B17 and of the selected frequency range. For details please consult the SMR datasheet.

<sup>3)</sup> Maximum/Minimum Power depends on the presence of option SMP-B15/-B17 and of the selected frequency range. For details please consult the SMP datasheet.

Generator	Interface Type	Generator Min Freq	Generator Max Freq	Generator Min Power dBm	Generator Max Power dBm
SMX	GPIB	100 kHz	1.0 GHz	-137	+13
SMY01	GPIB	9 kHz	1.04 GHz	-140	+13
SMY02	GPIB	9 kHz	2.08 GHz	-140	+13
HP8340A	GPIB	10 MHz	26.5 GHz	-110	10
HP8648	GPIB	9 kHz	4 GHz	-136	10
HP ESG-A Series 1000A, 2000A, 3000A, 4000A	GPIB	250 kHz	4 GHz	-136	20
HP ESG-D SERIES E4432B	GPIB	250 kHz	3 GHz	-136	+10

**Notes:** Generators with TTL interface can also be operated via IECBUS (= GPIB) alone.

With NONE selected, the corresponding generator 1 or 2 is deactivated.

The command is only available with option Ext. Generator Control B10.

**Example:** "SYST:COMM:RDEV:GEN2:TYPE 'SME02'" 'Selects SME02 as generator 2.

**Characteristics:** \*RST value: NONE  
SCPI: device-specific

**SYSTEM:COMMunicate:SERial:CONTrol:DTR** IBFull | OFF  
**SYSTEM:COMMunicate:SERial:CONTrol:RTS** IBFull | OFF

These commands switch the hardware handshake procedure for the serial interface off (OFF) or on (IBFull).

The two commands are equivalent.

**Examples:** "SYST:COMM:SER:CONT:DTR OFF"  
"SYST:COMM:SER:CONT:RTS IBF"

**Characteristics:** \*RST value: -- (no influence on this parameter, factory default OFF)  
SCPI: conforming

**Mode:** all

**SYSTEM:COMMunicate:SERial[:RECeive]:BAUD** 110 | 300 | 600 | 1200 | 2400 | 9600 | 19200

This command sets the transmission speed for the serial interface (COM).

**Example:** "SYST:COMM:SER:BAUD 2400"

**Characteristics:** \*RST value: -- (no influence on this parameter, factory default 9600)  
SCPI: conforming

**Mode:** all

**SYSTEM:COMMunicate:SERial[:RECeive]:BITS 7 | 8**

This command defines the number of data bits per data word for the serial interface (COM).

**Example:** "SYST:COMM:SER:BITS 7"

**Characteristics:** \*RST value: -- (no influence on this parameter, factory default 8)  
SCPI: conforming

**Mode:** all

**SYSTEM:COMMunicate:SERial[:RECeive]:PARity[:TYPE] EVEN | ODD | NONE**

This command defines the parity check for the serial interface (COM).

Possible values are:  
EVEN even parity  
ODD odd parity  
NONE no parity check.

**Example:** "SYST:COMM:SER:PAR EVEN"

**Characteristics:** \*RST value: -- (no influence on this parameter, factory default NONE)  
SCPI: conforming

**Mode:** all

**SYSTEM:COMMunicate:SERial[:RECeive]:SBITS 1|2**

This command defines the number of stop bits per data word for the serial interface (COM).

**Example:** "SYST:COMM:SER:SBITS 2"

**Characteristics:** \*RST value: -- (no influence on this parameter, factory default 1)  
SCPI: conforming

**Mode:** all

**SYSTEM:COMMunicate:SERial[:RECeive]:PACE XON | NONE**

This command switches on or off the software handshake for the serial interface.

**Example:** "SYST:COMM:SER:PACE XON"

**Characteristics:** \*RST value: -- (no influence on this parameter, factory default NONE)  
SCPI: conforming

**Mode:** all

**SYSTEM:COMMunicate:PRINter:ENUMerate:FIRSt?**

This command queries the name of the first printer (in the list of printers) available under Windows NT.

The names of other installed printers can be queried with command SYSTEM:COMMunicate:PRINter:ENUMerate:NEXT?.

If no printer is configured an empty string is output.

**Example:** "SYST:COMM:PRIN:ENUM:FIRS?"

**Characteristics:** \*RST value: NONE  
SCPI: device-specific

**Mode:** all

**SYSTEM:COMMunicate:PRINter:ENUMerate:NEXT?**

This command queries the name of the next printer installed under Windows NT.

The command

SYSTEM:COMMunicate:PRINter:ENUMerate:FIRSt?

should be sent previously to return to the beginning of the printer list and query the name of the first printer.

The names of other printers can then be queried with NEXT?. After all available printer names have been output, an empty string enclosed by quotation marks (") is output for the next query. Further queries are answered by a Query Error.

**Example:** "SYST:COMM:PRIN:ENUM:NEXT?"

**Characteristics:** \*RST value: NONE  
SCPI: device-specific

**Mode:** all

**SYSTEM:COMMunicate:PRINter:SElect <1|2> <printer\_name>**

This command selects one of the printers configured under Windows NT including the associated output destination.

The specified printer name must be a string as returned by the commands

SYSTEM:COMMunicate :PRINter:ENUMerate:FIRSt? or

SYSTEM:COMMunicate :PRINter:ENUMerate:NEXT?

**Note:** Command *HCOpy:DESTination* is used to select an output medium other than the default one.

**Example:** "SYST:COMM:PRIN:SEL 'LASER on LPT1'"

**Characteristics:** \*RST value: NONE  
SCPI: device-specific

**Mode:** all

**SYSTem:DATE** 1980 to 2099, 1 to 12, 1 to 31

This command is used to enter the date for the internal calendar.  
The sequence of entry is year, month, day.

**Example:** " SYST:DATE 2000,6,1 "

**Characteristics:** \*RST value: –  
SCPI: conforming

**Mode:** all

**SYSTem:DISPlay:FPANel** ON | OFF

This command activates or deactivates the display of the front panel keys on the screen.

With the display activated, the instrument can be operated on the screen using the mouse by pressing the corresponding buttons. This may be useful if the instrument is operated in a detached station by means of a remote program such as PCANYWHERE.

**Notes:** *With the display of the front panel keys activated, the screen resolution of the unit is set to 1024x768. Thus, only a section of the whole screen is visible on the internal LCD display, which will be moved by mouse moves.*

*For a full display of the user interface, an external monitor has to be connected to the rear panel.*

*When the front panel display is deactivated, the original screen resolution is restored.*

**Example:** " SYST:DISP:FPAN ON "

**Characteristics:** \*RST value: OFF  
SCPI: device-specific

**Operating mode:** all

**SYSTem:DISPlay:UPDate** ON | OFF

This command switches on or off the update of all display elements during remote control.

**Note:** *The best performance is obtained when the display output is switched off during remote control.*

**Example:** " SYST:DISP:UPD ON "

**Characteristics:** \*RST value: OFF  
SCPI: device specific

**Mode:** all

**SYSTem:ERRor?**

This command queries the earliest entry in the error queue, and deletes it after the readout.

Positive error numbers indicate device-specific errors, negative error numbers are error messages defined by SCPI (cf. Chapter 9). If the error queue is empty, the error number 0, "no error", is returned. This command is identical with the command `STATus:QUEue:NEXT?`. This command is a query and therefore has no \*RST value.

**Example:** " SYST:ERR? "

**Characteristics:** \*RST value: –  
SCPI: conforming

**Mode:** all

**SYSTEM:ERRor:LIST?**

This command reads all system messages and returns a list of comma separated strings. Each string corresponds to an entry in the table SYSTEM MESSAGES.

If the error list is empty, an empty string "" will be returned.

This command is a query and therefore has no \*RST value.

**Example:** "SYST:ERR:LIST?"

**Characteristics:** \*RST value: –  
SCPI: device specific

**Mode:** all

**SYSTEM:ERRor:CLEar:ALL**

This command deletes all entries in the table SYSTEM MESSAGES.

This command is an event and therefore has no query and no \*RST value.

**Example:** "SYST:ERR:CLE:ALL?"

**Characteristics:** \*RST value: –  
SCPI: device specific

**Mode:** all

**SYSTEM:FIRMware:UPDate <path>**

This command starts a firmware update using the data set in the selected directory. Beforehand, the update files have to be stored in the following subdirectories using command MMEM:DATA:

Directory	Contents				
DISK1	_inst32i.ex_	_isdel.exe	_setup.dll	_sys1.cab	_user1.cab
	data.tag	data1.cab	id.txt	lang.dat	layout.bin
	os.dat	Setup.exe	Setup.ini	setup.ins	setup.lid
DISK2	data2.cab				
DISK3	data3.cab				
DISK4	data4.cab				
DISK5	data5.cab				

**Example:** "SYST:FIRM:UPD 'D:\USER\FWUPDATE' "  
'Starts the firmware update  
'from directory  
'D:\USER\FWUPDATE using the '  
'files of ubdirectories DISK1  
'to DISK5

**Characteristics:** \*RST value: –  
SCPI: device specific

**Mode:** all

This command is an 'event' and therefore has no query and no \*RST value.

**SYSTEM:LANGUage** 'SCPI' | '8566A' | '8566B' | '8568A' | '8568B' | '8594E'

This command activates the emulation of various spectrum analyzers. The analyzer default command set is SCPI.

The following remote-control languages are available:

- SCPI
- 8566A
- 8566B
- 8568A
- 8568B
- 8594E

**Note:**

- When SCPI is selected, the 8566B/8568B/8594E command set is available in addition.
- When 8566A, 8566B, 8568A or 8568B is selected, both command sets A and B are available, as far as they are supported.

On switching between remote-control languages, the following settings or changes will be made:

**SCPI:**

The instrument will perform a PRESET.

**8566A/B, 8568A/B, 8594E:**

The instrument will perform a PRESET.

The following instrument settings will then be changed:

Model	# of Trace Points	Start Freq.	Stop Freq.	Input Coupling
8566A/B	1001	2 GHz	22 GHz	DC (FSU) AC (FSP)
8568A/B	1001	0 Hz	1.5 GHz	AC
8594E	625 (FSU) 501 (FSP)	0 Hz	3 GHz	AC

**Notes regarding switchover to 8566A/B and 8568A/B:**

- Commands *IP* and *KST*, too, will perform the settings for the "# of Trace Points", "Start Freq.", "Stop Freq." and "Input Coupling".
- Switchover of the "# of Trace Points" will not take place until the instrument is switched to the *REMOTE* mode. For manual operation (selected with *LOCAL* softkey), the number of sweep points (trace points) will always be set to 1251.
- In the remote mode, the screen area for the measurement will be reduced. The *LOCAL* softkey (lowermost softkey) will be shifted slightly towards the center of the screen.

**Example:** "SYST:LANG 'SCPI' "

**Characteristics:** \*RST value: 'SCPI'  
SCPI: conforming

**Mode:** all

There is no query for this command.

**SYSTem:PASSword[:CENable] 'password'**

This command enables access to the service functions by means of the password.

**Example:** "SYST:PASS 'XXXX' "

**Characteristics:** \*RST value: –  
SCPI: conforming

**Mode:** all

This command is an event and therefore has no \*RST value and no query.

**SYSTem:PRESet**

This command initiates an instrument reset.

The effect of this command corresponds to that of the *PRESET* key with manual control or to the \*RST command.

**Example:** "SYST:PRES "

**Characteristics:** \*RST value: –  
SCPI: conforming

**Mode:** all

**SYSTem:SET <block>**

The query SYSTem:SET? causes the data of the current instrument setting to be transmitted to the control computer in binary format (SAVE function). The data can be read back into the instrument (RECALL function) by means of command SYSTem:SET <block>. Whilst the data records are stored on the instrument hard disk with SAVE/RECALL (MMEMory:STORE or MMEMory:LOAD), it is possible to store the data in an external computer by means of SYSTem:SET.

The receive terminator has to be set to EOI to ensure reliable transfer of data (setting SYST:COMM:GPIB:RTER EOI).

**Example:** "SYST:SET "

**Characteristics:** \*RST value: –  
SCPI: conforming

**Mode:** all

**SYSTem:SPEaker:VOLume 0 to 1**

This command sets the volume of the built-in loudspeaker for demodulated signals. Minimum volume is set by 0 and maximum volume by 1.

The value 0 is the lowest volume, the value 1 the highest volume.

**Example:** "SYST:SPE:VOL 0.5 "

**Characteristics:** \*RST value: 0  
SCPI: device-specific

**Mode:** all

The command is only available with the audio demodulator option (FSP-B3).



**SYSTEM:TIME** 0 to 23, 0 to 59, 0 to 59

This command sets the internal clock. The sequence of entry is hour, minute, second.

**Example:** "SYST:TIME 12,30,30"

**Characteristics:** \*RST value: –  
SCPI: conforming

**Mode:** all

**SYSTEM:VERSion?**

This command queries the number of the SCPI version, which is relevant for the instrument.

**Example:** "SYST:VERS?"

**Characteristics:** \*RST value: –  
SCPI: conforming

**Mode:** all

This command is a query and therefore has no \*RST value.

## TRACe Subsystem

COMMAND	PARAMETERS	UNIT	COMMENT
TRACe<1 2> [:DATA]	TRACE1   TRACE2   TRACE3   PWCDp   CTABLE   SPURious, <block> <numeric_value> ...	-	
:COPY	TRACE1 TRACE2 TRACE3, TRACE1 TRACE2 TRACE3	-	
:IQ			
:AVERage [:STATe]	<Boolean>	--	
:COUNT	<numeric_value>		query only
:DATA?			query only
:MEMory		--, --	
:SET	<numeric_value>, <numeric_value> NORMal, <numeric_value>, <numeric_value>, IMMediate   EXTernal   IFPower   RFPower, POSitive, <numeric_value>, <numeric_value> <numeric_value>	--, -- HZ HZ	
:SRATe [:STATe]	<Boolean>	HZ	
:SYNChronize [:STATe]	<Boolean>		

### General Trace Commands

**TRACe<1|2>[:DATA]** TRACE1| TRACE2| TRACE3, | PWCDp | CTABLE | SPURious, <block> | <numeric\_value>

This command transfers trace data from the control computer to the instrument, the query reads trace data out of the instrument. The associated measurement window is selected with the numeric suffix of TRACe<1|2>.

**Note:** If the FM demodulator (option FS-K7) is active, only the displayed trace data is read out and recalled. A portion of the measurement data that can be called by means of a marker, however, is calculated from the raw measurement data. These results are no longer available after recalling a trace; the associated queries generate a query error.

**Example:** "TRAC TRACE1,"+A\$ (A\$: data list in the current format)  
"TRAC? TRACE1"

**Characteristics:** \*RST value: -  
SCPI: conforming

**Mode:** all

#### Return values:

The returned values are scaled in the current level unit. Returned FM-modulated measurement values (activated option FS-K7) are scaled in Hz.

**ASCII format (FORMat ASCII):**

In ASCII format, a list of values separated by commas is returned (Comma Separated Values = CSV).

The number of measurement points is 501.

**Binary format (FORMat REAL,32):**

If the transmission takes place using the binary format (REAL,32), the data are transferred in block format (Definite Length Block Data according to IEEE 488.2). They are arranged in succeeding lists of I and Q data of 32 Bit IEEE 754 floating point numbers. General structure of return string:

```
#42004<meas value 1><meas value value2>...<meas value 501>
```

with

#4                    digits of the subsequent number of data bytes (4 in the example)

2004                 Number of the subsequent data bytes (2004 in the example)

<meas value x>     4 byte floating point measurement values

**Saving and recalling:**

Saving and recalling trace data together with the device settings to/from the device-internal hard disk or to/from a floppy is controlled via the commands "MMEMory:STORe:STATe" and "MMEMory:LOAD:STATe" respectively. Trace data are selected with "MMEMory:SELEct[:ITEM]:ALL" or "MMEMory:SELEct[:ITEM]:TRACe". Trace data in ASCII format (ASCII FILE EXPORT) are exported with the command "MMEM:STORe:TRACe".

**Transfer format:**

The trace data are transferred in the current format (corresponding to the command FORMat ASCII|REAL). The device-internal trace memory is addressed using the trace names 'TRACE1' to 'TRACE3'.

The transfer of trace data from the control computer to the instrument takes place by indicating the trace name and then the data to be transferred. In ASCII format, these data are values separated by commas. If the transfer takes place using the format real (REAL,32), the data are transferred in block format.

The parameter of the query is the trace name TRACE1 to TRACE3, it indicates which trace memory will be read out.

The command "MMEMory:STORe:STATe" or "MMEMory:LOAD:STATe" controls the storage or loading of measured data, including the device settings, on or from the internal hard disk or floppy disk. The trace data is selected via "MMEMory:SELEct[:ITEM]:ALL" or "MMEMory:SELEct[:ITEM]:TRACe". The trace data in ASCII format (ASCII FILE EXPORT) is exported via the "MMEM:STORe:TRACe" command.

## Number and format of the measurement values for the different operating modes

The number of measurement values depends on the instrument setting:

### SPECTRUM mode (span > 0 and zero span):

501 results are output in the unit selected for display.

**Note:** *With AUTO PEAK detector, only positive peak values can be read out.  
Trace data can be written into the instrument with logarithmic display only in dBm,  
with linear display only in volts.*

FORMat REAL,32 is to be used as format for binary transmission, and FORMat ASCii for ASCII transmission.

### GSM/EDGE Analyzer:

With power versus time (PVT) measurement, the number of measured values depends on the number of active slots (defined by the multislot command CONF:CHAN:SLOT:MULT) as well as on the number of samples per symbol (defined by the CONF:CHAN:PRAT command).

	4 samples per symbol	8 samples per symbol
1 active slot	868 measured values	1736 measured values
2 active slots	1492 measured values	2984 measured values
3 active slots	2116 measured values	4232 measured values
4 active slots	2740 measured values	5480 measured values
8 active slots	5240 measured values	10480 measured values

With phase/frequency error (PFE) measurement, the number of measured values depends on the number of samples per symbol (defined by the CONF:CHAN:PRAT command).

4 samples per symbol	8 samples per symbol
588 measured values	1176 measured values

With modulation accuracy (MAC) measurement, the number of measured values depends on the number of samples per symbol (defined by the CONF:CHAN:PRAT command).

4 samples per symbol	8 samples per symbol
568 measured values	1136 measured values

As regards the other GSM measurements, the traces have the same length as in the SPECTRUM mode.

### WCDMA 3G FDD: Code Domain Power, base station (FS-K72) and mobile station tests (FS-K73)

Depending on the display mode selected, TRACE1/2, CTABLE or PWCDp can be output. PWCDp is only available in conjunction with FS-K72, base station tests.

**CTABLE** can be set only if CODE PWR ABSOLUTE / RELATIVE , CHANNEL TABLE is selected for Trace 1. The same data as for TRACE1 are output. In addition, the pilot length is output as the 6th value for FS-K72 (0 as the 6<sup>th</sup> value for FS-K73) and active/inactive (1/0) as the 7th value for both options.

FS-K72: Seven values are transmitted for each assigned channel:  
<class>,<channel number>,<absolute level>,<relative level>,  
<timing offset>,<pilot length>,<active/inactive>,...

FS-K73: Six values are transmitted for each assigned channel:  
<class>,<channel number>,<absolute level>,<relative level>,  
<IQ mapping>, 0, <active/inactive>,...

The pilot length is specified in symbols.

**PWCDp** can be set only for base station tests (FS-K72), if CODE PWR ABSOLUTE / RELATIVE , CHANNEL TABLE is selected for Trace 1. The pilot length is transmitted in addition to the same five values as transmitted for TRACE1. The pilot length is specified in symbols.

Six values are transmitted for each assigned channel:

< class>,<channel number>,<absolute level>,<relative level>,<timing offset>,<pilot length>,...

The pilot length is specified in bit.

#### TRACE1/TRACE2:

The following measured values are transferred depending on the display mode:

#### CODE PWR ABSOLUTE / RELATIVE , CHANNEL TABLE (TRACE1)

Each channel is defined by the class, the channel number, the absolute level, the relative level and the timing offset (base station, FS-K72) or I/Q mapping (mobile station, FS-K73). The class denotes the spreading factor of the channel.

For base station tests, class 8 corresponds to the highest spreading factor (512, symbol rate 7.5 ksp/s). For mobile station tests, class 9 corresponds to the highest spreading factor (256, symbol rate 7.5 ksp/s). Class 2 corresponds to the lowest admissible spreading factor (4, symbol rate 960 ksp/s).

Five values are transmitted for each assigned channel.

##### FS-K72:

< class>,<channel number>,<absolute level>,<relative level>,<timing offset>

For CODE PWR ABSOLUTE / RELATIVE, the channels are output according to their code numbers, i.e. in the order in which they would appear on the screen.

For CHANNEL TABLE, the channels are sorted in ascending order according to code classes, i.e. the codes not assigned appear at the end of the list.

The absolute level is specified in dBm, the relative level in dB referred to CPICH.

The timing offset is specified in chip.

##### FS-K73:

<class>,<channel number>,<absolute level>,<relative level>,<I/Q mapping>,...

For CODE PWR ABSOLUTE / RELATIVE, the channels are output according to their code numbers, i.e. in the order in which they would appear on the screen.

For CHANNEL TABLE, the channels are sorted in ascending order according to code classes, i.e. the codes not assigned appear at the end of the list.

The absolute level is specified in dBm, the relative level in dB referred to the total power of the signal.

The values output for I/Q mapping are: 1: I-mapped; 0: Q-mapped (FS-K73)

The example shows the results of a query for three assigned channels with the following configuration:

##### Base station tests (FS-K72):

1<sup>st</sup> channel: spreading factor 512, channel number 7, timing offset 0

2<sup>nd</sup> channel: spreading factor 4, channel number 2, timing offset 256 chips

3<sup>rd</sup> channel: spreading factor 128, channel number 127, timing offset 2560 chips

This yields the following result: 9,7,-40,-20,0,2,2,-40,-20,256,7,127,-40,-20,2560

The channels come in the same order as in the CDP diagram, i.e. depending on their position in the code domain of spreading factor 512.

##### Mobile station tests (FS-K73):

1<sup>st</sup> channel: spreading factor 256, channel number 7, I-mapped

2<sup>nd</sup> channel: spreading factor 4, channel number 2, I-mapped

3<sup>rd</sup> channel: spreading factor 128, channel number 127, Q-mapped

**RESULT SUMMARY (TRACE2)**

The results of the RESULT SUMMARY are output in the following order:

<modulation accuracy>,<peak CDE>,<carr freq Error>,<chip rate error>,  
<total power>,<trg to frame>,<EVM peak channel>,<EVM mean channel>,<class>,  
<channel number>,<power abs. channel>,<power rel. channel>,<timing offset (FS-  
K72 / I/Q-mapping (FS-K73))>,<pilot length (FS-K73)>,<IQ offset>,<IQ imbalance>

EVM peak channel, EVM mean channel and modulation accuracy are specified in %, and peak CDE in dB.

The Carr Freq Error is specified in Hz, and the Chip Rate Error in ppm.

Total power and power abs. channel are specified in dBm, and power rel. channel is given in dB referred to the CPICH (FS-K72) or referred to the total power of the signal (FS-K73).

The timing offset is specified in chip, and Trg to Frame in  $\mu$ s.

**POWER VS SLOT (TRACE2)**

FS-K72:

16 pairs of values (for 16 slots) consisting of CPICH slot number and level value are transmitted:

<slot number>,<level value in dB>,<slot number>,<level value in dB>.....

FS-K73:

15 pairs of values (for 15 slots) consisting of slot number and level value are transmitted:

<slot number>,<level value in dB>,<slot number>,<level value in dB>.....

**SYMBOL EVM (TRACE2)**

The number of level values depends on the spreading factor:

Spreading factor 512	5 values
Spreading factor 256	10 values
Spreading factor 128	20 values
Spreading factor 64	40 values
Spreading factor 32	80 values
Spreading factor 16	160 values
Spreading factor 8	320 values
Spreading factor 4	640 values

**PK CODE DOMAIN ERR and MODULATION ACCURACY (TRACE2)**

15 pairs of slot and level values are always transferred.

PK CODE DOMAIN ERR: <slot number>, <level value in dB>,.....

MODULATION ACCURACY: <slot number>, <level value in %>, .....

**SYMBOL CONST (TRACE2)**

The number of level values depends on the spreading factor:

Spreading factor 512	5 values
Spreading factor 256	10 values
Spreading factor 128	20 values
Spreading factor 64	40 values
Spreading factor 32	80 values
Spreading factor 16	160 values
Spreading factor 8	320 values
Spreading factor 4	640 values

**Bit stream (TRACE2)**

The bit stream of a slot is output. One value per bit is output (range of values: 0,1). The number of symbols is not constant and may differ from sweep to sweep. Specific symbols in the bit stream can be invalid (FS-K72: depending on channel type and symbol rate / FS-K73: for channels not assigned). The associated invalid bits are identified by "9".

Example of bit stream trace FS-K72: 1,0,0,9,0,1 / FS-K73: 0,1,0,0,1,1,0 (channels assigned) and 9,9,9,9,9,9,9,9,9 (channels not assigned)

**cdma2000 Base Station Test (FS-K82)**

TRACE1, TRACE2 or ABITstream can be read out, depending on the display.

The trace data (TRACE1 | TRACE2) are formatted as follows for the different displays:

**CODE DOMAIN POWER ABSOLUTE/CODE DOMAIN POWER RELATIVE (TRACE1):**

The following is output for each channel:

Code class	Code class of the channel. With Hadamard order, normally the code class corresponding to the base spreading factor. With BitReverse order, values between 2 and 7
Code number	Code number of the channel, values between 0 and 127
Level	- For CODE DOMAIN POWER ABSOLUTE in dBm - For CODE DOMAIN POWER RELATIVE in dB (referred to the total or pilot power, refer to the command CDPower: PReference) In Hadamard order, power values of the different codes are normally specified, in BitReverse order the consolidated channel power is returned.
Power detection	0 - inactive channel 1 - power of own antenna 2 - alias power of own antenna 3 - alias power of other antenna 4 - alias power of own and other antenna. Alias power can be avoided by analysis when the base spreading factor is selected correctly. (Refer to the command CDPower: SFACTOR)

Thus four values are transferred for all channels:

<Code class>, <Code number>, <Signal level>, <Power ID>, ...

For sorting the channels and consolidation, Hadamard order or BitReverse order (refer to the `CDPower:ORDER` command) is important.

With Hadamard, the different codes are output in ascending order with their code power. The number of output codes corresponds to the base spreading factor.

With BitReverse, codes belonging to a channel are next to each other and are therefore output in the class of the channel with output of the consolidated channel power. The maximum number of output codes or channels cannot be higher than the base spreading factor, but decreases with every concentrated channel.

**Example:**

The example shows the results of the query for five channels having the following configuration:

```
PICH  0.64      (CC 6)  -7.0 dB
PCH   1.64      (CC 6)  -7.3 dB
CHAN  8.32      (CC 5)  -8.0 dB
CHAN  24.128    (CC 7)  -9.0 dB (alias with 24.64)
SYNC  32.64     (CC 6) -13.3 dB
```

```
"INST:SEL BC2K" 'Activate cdma2000 BTS, implicit are
                  'CDP relative on screen A and
                  'result summary active on screen B
"INIT:CONT OFF" 'Select single sweep
"CDP:ORD HAD"   'Set order to Hadamard
"INIT;*WAI"    'Start measurement with 'synchronization
"TRAC? TRACE1" 'Read out CDP relative/Hadamard
                  'Channel 8.32 is distributed to 8.64
                  'and 40.64, in each case with half
                  'power -8 dB -3 dB=-11.0 dB
6, 0, -7.0,1,   6, 1, -7.3,1,
6, 2,-54.6,0,   6, 3,-55.3,0,
....           6, 7,-58.2,0,
6, 8,-11.0,1,   6, 9,-53.4,0,
....           6,24, -9.0,2,
....           6,32,-13.3,1,
....           6,40,-11.0,1,
....           6,63,-54.7,0
"CDP:ORD BITR" 'Set order to BitReverse
"TRAC? TRACE1" 'Read out CDP relative/BitReverse
                  'Channel 8.32 can now be directly read'out with its total
                  'power.
                  'The sort is changes in accordance
                  'with BitReverse.
6, 0, -7.0,1,   6,32,-13.3,1,
6,16,-56.3,0,   6,48,-52.8,0,
5, 8, -8.0,1,   6,24, -9.0,2,
....           6, 1, -7.3,1,
....           6,63,-54.7,0
```



CODE DOMAIN ERROR POWER (TRACE1):

The following is output for each channel:

Code class	Code class of the channel normally corresponding to the class for the CDEP that belongs to the base spreading factor.
Code number	Code number of the channel, values between 0 and 127
Error power	In dB
Power ID	No difference of power between the Hadamard and BitReverse orders 0 - inactive channel 1 - power of own antenna 2 - alias power of own antenna 3 - alias power of other antenna 4 - alias power of own and other antenna. Alias power can be avoided by analysis when the base spreading factor is selected correctly. (Refer to the command <code>CDPower:SFACtor</code> )

Thus four values are transferred for all channels:

<Code class>, <code number>, <signal level>, <power ID>, ...

For sorting the channels, the Hadamard order or BitReverse order (refer to the `CDPower:ORDer` command) is important.

In Hadamard order, the different codes are sorted in ascending order before being output.

With BitReverse order, codes belonging to any one channel are next to each other.

Because an error power is output with the code domain error power, a consolidation of the power values is not sensible.

The number of output codes therefore generally corresponds to the base spreading factor.

**Example:**

The example shows the results of the query for five channels having the following configuration:

PICH	0.64	(CC 6)	-7.0 dB
PCH	1.64	(CC 6)	-7.3 dB
CHAN	8.32	(CC 5)	-8.0 dB
CHAN	24.128	(CC 7)	-9.0 dB (alias with 24.64)
SYNC	32.64	(CC 6)	-13.3 dB

```
"INST:SEL BC2K"           'Activate cdma2000 BTS, implicit are
                           'CDP relative on screen A and
                           'result summary active on 'screen B
"INIT:CONT OFF"          'Select single sweep
"CALC2:FEED `XTIM:CDEP"  'Code domain error power evaluation
"INIT;*WAI"              'Start measurement with 'synchronization
"TRAC? TRACE1"          'Read out CDEP Hadamard
6, 0,-52.6,1, 6, 1,-60.1,1,
6, 2,-54.6,0, 6, 3,-55.3,0,
.... 6, 7,-58.2,0,
6, 8,-51.9,1, 6, 9,-53.4,0,
.... 6,24,-55.7,2,
.... 6,32,-58.6,1,
.... 6,40,-60.5,1,
.... 6,63,-54.7,0
```

CHANNEL TABLE (TRACE1):

The following is output for each channel:

Channel type	The channel type is coded with numbers as follows:
	0 = PICH
	1 = SYNC
	2 = PCH
	3 = TDPICH
	4 = APICH
	5 = ATDPICH
	6 = BCH
	7 = CPCCH
	8 = CACH
	9 = CCCH
	10 = CHAN
	11 = INACTIVE
Code class	Code class of the channel, values between 2 and 7
Code number	Code number of the channel, values between 0 and 127
Radio configuration	0 for special channels, 1-5 for CHAN (with CODE CHAN AUTOSEARCH '1' is returned for RCs 1&2 and '3' for RCs 3 to 5)
Absolute level	In dBm
Relative level	In dB, referred to the total or pilot power (refer to the <code>CDPower:PREference</code> command)
Timing offset	Referred to the pilot in seconds
Phase offset	Referred to the pilot in rad If the evaluation of the timing and phase offset is not active (refer to <code>CDPower:TPMeas</code> ) or more than 50 active channels are in the signal, the value 9 is returned For inactive channels, the value 9 is returned.

The class specifies the spreading factor:

Class 7 corresponds to the highest spreading factor (128, symbol rate 9.6 ksps), and class 2 to the lowest allowed spreading factor (4, symbol rate 307.2 ksps).

Thus eight values are transferred for all channels:

<Channel type>, <Code class>, <Code number>, <Radio configuration>, <Absolute level>, <Relative level>, <Timing offset>, <Phase offset>, ...

All detected special channels are sorted first, followed by the data channels, in ascending order by code class and within the code class in ascending order by code number. The unassigned codes appear at the bottom of the list with the code class of the base spreading factor.

**Example:** The example shows the results of the query for five channels having the following configuration:

```

PICH  0.64      (CC 6)  -7.0 dB
PCH   1.64      (CC 6)  -7.3 dB
CHAN  8.32      (CC 5)  -8.0 dB
CHAN  24.128    (CC 7)  -9.0 dB (alias with 24.64)
SYNC  32.64     (CC 6) -13.3 dB

"INST:SEL BC2K"           'Activate cdma2000 BTS, implicit are
                           'CDP relative on screen A and
                           'result summary active on screen B
"INIT:CONT OFF"          'Select single sweep
"CALC2:FEED `XTIM:CDP:ERR:CTAB`"
                           'Channel table evaluation
"INIT;*WAI"              'Start measurement with synchronization
"TRAC? TRACE1"           'Read out channel table
0 , 6, 0, 0, 0.0, -7.0, 9, 9,
1 , 6, 32, 0, -6.3, -13.3, 9, 9,
2 , 6, 1, 0, -0.3, -7.3, 9, 9,
10, 5, 8, 3, -1.0, -8.0, 9, 9,

```

```

10, 7, 24, 3, -2.0, -9.0, 9, 9,
11, 6, 2, 3, -47.6, -54.6, 9, 9,
...
11, 6, 63, 3, -47.7, -54.7, 9, 9

```

**RESULT SUMMARY (TRACE2):**

The results of the RESULT SUMMARY are output in the following order:

<SLOT>, <PTOTAL>, <PPICH>, <RHO>, <MACCuracy>, <PCDerror>, <ACTive>, <FERRor>, <FERPpm>, <TFRame>, <CERRor>, <IQOFFset>, <IQIMbalance>, <SRATe>, <CHANnel>, <SFACtor>, <TOFFset>, <POFFset>, <CDPRelative>, <CDPabsolute>, <EVMRms>, <EVMPeak>

The results have the following meanings and units:

Global results of the selected PCG:

SLOT	PCG number
PTOTAL	Total power in dBm
PPICH	Pilot power in dBm
RHO	RHO CERRor
MACCuracy	Composite EVM in %
PCDerror	Peak code domain error in dB
IQOFFset	IQ offset in %
IQIMbalance	IQ imbalance in %

Global results of all PCGs:

FERRor	Frequency error in Hz
FERPpm	Frequency error in ppm
TFRame	Chip rate error in ppm
ACTive	Trigger to frame
	Number of active channels

Channel results:

SRATe	Symbol rate in ksps	TOFFset	Timing Offset in s
CHANnel	Channel number	POFFset	Phase Offset in rad
SFACtor	Spreading factor of the channel		
CDPRelative	Channel power relative in dB (relative to total or PICH power, refer to CDP:PREF command)	CDPabsolute	Channel power abs. in dBm
EVMRms	Error vector magnitude rms in %	EVMPeak	Error vector mag. peak in %

**Hint:**

The value trigger to frame (TFRame) delivers a '9' if the trigger is set to *FREE RUN*.

The values timing/phase offset (TOFFset/POFFset) deliver a '9' if the timing and phase offset measurement is switched off (refer to CDP:TPM) or the number of active channel exceeds 50.

**POWER VS PCG, PEAK CODE DOMAIN ERR and COMPOSITE EVM (TRACE2):**

The number of returned value pairs corresponds to the Capture length.

(Refer to the CDPower: IQLength command).

POWER VS PCG: <Slot number>,<Level value in dB>, <Slot number>, <Level value in dB>,.....;

PEAK CODE DOMAIN ERROR: <Slot number>, <Level value in dB>, .....;

COMPOSITE EVM: <Slot number>, <Value in %>, .....;

SYMBOL EVM (TRACE2):

The number of values depends on the spreading factor:

Spreading factor 128 : 12 values; spreading factor 64 : 24values  
 Spreading factor 32 : 48 values; spreading factor 16 : 96values  
 Spreading factor 8 : 192 values; spreading factor 4 : 384values

(With transmit diversity on the number of symbols are reduced to the half.)

<Value in % symbol 0>, <value in % symbol 1>,.....;

POWER VS SYMBOL (TRACE2):

The number of values depends on the spreading factor:

Spreading factor 128 : 12 values; spreading factor 64 : 24values  
 Spreading factor 32 : 48 values; spreading factor 16 : 96values  
 Spreading factor 8 : 192 values; spreading factor 4 : 384values

(With transmit diversity on the number of values are reduced to the half.)

<Value in dBm symbol 0>, <value in dBm symbol 1>,.....;

SYMBOL CONST (TRACE2):

The number of value pairs depends on the spreading factor:

Spreading factor 128 : 12 pairs; spreading factor 64 : 24pairs  
 Spreading factor 32 : 48 pairs; spreading factor 16 : 96pairs  
 Spreading factor 8 : 192 pairs; spreading factor 4 : 384pairs

(With transmit diversity on the number of pairs are reduced to the half.)

Real and imaginary parts are transferred as value pairs.

<re 0>,<im 0>,<re 1>,<im 1>,.....<re n>, <im n>

COMPOSITE CONST (TRACe2):

The number of value pairs corresponds to the chip number of 1536 chips in a power control group. Real and imaginary parts are transferred as value pairs:

<re chip 0>, <im chip 0>, <re chip 1>, <im chip 1>,.....;

BITSTREAM (TRACE2):

The bitstream of a slot is output. A value is output for each bit (range 0,1), each symbol consists of 2 bits for QPSK channels and of one bit for BPSK channels.

The number of values depends on the spreading factor with QPSK:

Spreading factor 128 : 24 values; spreading factor 64 : 48values  
 Spreading factor 32 : 96 values; spreading factor 16 : 192values  
 Spreading factor 8 : 384 values; spreading factor 4 : 768values

For BPSK:

Spreading factor 128 : 12 values; spreading factor 64 : 24values  
 Spreading factor 32 : 48 values; spreading factor 16 : 96values  
 Spreading factor 8 : 192 values; spreading factor 4 : 384values

(With transmit diversity on the number of values are reduced to the half.)

Example of bitstream trace: 0, 0, 1, 0, 1, 1, 0 ....

### 1xEV-DO BTS Basisstationstests- (FS-K84)

TRACE1, TRACE2 can be read out, depending on the display.

The trace data (TRACE1 | TRACE2) are formatted for the different displays as shown in the following. The number of values refers to the table below:

Channel type	Spreading factor	Symbol rate	Modulation type	Chips per slot	Symbols per slot and code	Bits per slot and code		
						Mapping I or Q	Mapping complex	
PILOT	32	38.4 ksps	BPSK-I or BPSK-Q	96*2 = <b>192</b>	6	6	12	
MAC	64	19.2 ksps	BPSK-I or BPSK-Q	64*4 = <b>256</b>	4	4	8	
PRE-AMBLE	32	38.4 ksps	BPSK-I or BPSK-Q	Preamble length				
				64:	2	2	4	
				128:	4	4	8	
				256:	8	8	16	
				512:	16	16	32	
1024:	32	32	64					
DATA	16	76.8 ksps	QPSK, 8-PSK, 16-QAM	400*4- PreambleChips= <b>DataNettoChips</b>	Mapping always complex Modulation type:			
					QPSK	8-PSK	16-QAM	
				1600-0 = <b>1600</b>	100	200	300	400
				1600-64 = <b>1536</b>	96	192	288	384
				1600-128 = <b>1472</b>	92	184	276	368
				1600-256 = <b>1344</b>	84	168	252	336
				1600-512 = <b>1088</b>	68	136	204	272
1600-1024 = <b>576</b>	36	72	104	144				

#### CODE DOMAIN POWER ABSOLUT/CODE DOMAIN POWER RELATIV (TRACE1/TRACE2):

The following is output for each channel of the selected channel type:

Code number            Code number of the channel, values between 0 to 31/15/63 depending on the channel type

Level                    -For CODE DOMAIN POWER ABSOLUTE in unit dBm  
                             -For CODE DOMAIN POWER RELATIVE in unit dB

Power ID                0 - inactive channel  
                             1 - active channel

Three values are thus transferred for all channels:

<Code number>, <Level>, <Power ID>, etc.

The number of output codes corresponds to the spreading factor, which depends on the channel type: PILOT/PREAMBLE: 32, DATA: 16, MAC: 64. (See table above.)

Depending on the mapping settings, the I or Q branch or the complex signal is returned. With Code Domain Overview, the I branch in TRACE1 and the Q branch in TRACE2 are always returned.

**Example:**

The example shows the results of the query for the PILOT channel type, in which only code 0.32 at BPSK-I with 0 dB power is active:

```

"INST:SEL BDO"           'Activate 1xEV-DO BTS, implicit are
                          'CDP Relative active on screen A and
                          'General Results on screen B
                          'and PILOT channel type, mapping
                          'mode
                          'IQRQ and I branch selected
"INIT:CONT OFF"         'Select single sweep
"INIT;*WAI"             'Start measurement with sync
"TRAC? TRACE1"         'Read out CDP Relative of the I branch
0, 0.0,1,               1,-57.3,0,
2,-54.6,0,              3,-55.3,0,
....                   31,-54.7,0
"CDP:OVER ON"          'Activate Overview mode
"TRAC? TRACE1"         'Read out CDP Relative of the I branch
0, 0.0,1,               1,-57.3,0,
2,-54.6,0,              3,-55.3,0,
....                   31,-54.7,0
"TRAC? TRACE2"         'Read out CDP Relative of the
                          'Q branch
0,-53.1,0,              1,-54.2,0,
2,-53.3,0,              3,-56.0,0,
....                   31,-52.1,0

```







```

" INIT;*WAI "
"TRAC? TRACE1"
0 , 5, 0, 0, 15.0, 0.0, 9, 9,
1 , 6, 2, 0, 8.0, -7.0, 9, 9,
1 , 6, 3, 0, 8.1, -6.9, 9, 9,
1 , 6, 4, 0, 7.9, -7.1, 9, 9,
1 , 6, 34, 1, 7.9, -7.1, 9, 9,
1 , 6, 35, 1, 8.0, -7.0, 9, 9,
2 , 5, 0, 0, 14.9, 0.0, 9, 9,
7 , 4, 0, 4, 2.8, -12.1, 9, 9,
7 , 4, 1, 4, 2.9, -12.0, 9, 9,
7 , 4, 2, 4, 2.7, -12.2, 9, 9,
7 , 4, 3, 4, 2.8, -12.1, 9, 9,
.. .. .. ..
7 , 4, 13, 4, 2.8, -12.1, 9, 9,
7 , 4, 14, 4, 2.7, -12.2, 9, 9,
7 , 4, 15, 4, 2.6, -12.3, 9, 9

```

```

' Analyze channel tables
' Start measurement with sync
' Read out channel table
'PILOT
'MAC
'PREAMBLE
'DATA

```

### GENERAL RESULTS/CHANNEL RESULTS (TRACE2):

The results included in GENERAL RESULTS and CHANNEL RESULTS are read out in the following order:

<FERRor>, <FERPpm>, <CERRor>, <TFRame>, <RHOPilot>, <RHO1>, <RHO2>, <PPILot>, <PMAC>, <PDATa>, <PPReamble>, <MACCuracy>, <DMTYpe>, <MACTive>, <DACTive>, <PLENGth>, <RHO>, <PCDerror>, <IQIMbalance>, <IQOFFset>, <SRATe>, <CHANnel>, <SFACtor>, <TOFFset>, <POFFset>, <CDPRelative>, <CDPabsolute>, <EVMRms>, <EVMPeak>, <MTYPE>

In this instance the results have the following meaning and units:

Global results for all slots:

FERRor	Frequency error in Hz
FERPpm	Frequency error in ppm
CERRor	Chip rate error in ppm
TFRame	Trigger to Frame
RHOPilot	RHO over all slots for the pilot area
RHO1	RHOoverall-1 over all slots over all chips with start of averaging at the half-slot limit
RHO2	RHOoverall-2 over all slots over all chips with start of averaging at the quarter-slot limit

Results for the selected slot:

PPILot	Absolute power in the PILOT channel type
PMAC	Absolute power in the MAC channel type
PDATa	Absolute power in the DATA channel type
PPReamble	Absolute power in the PREAMBLE channel type
MACCuracy	Composite EVM in %
DMTYpe	Modulation type in the DATA channel type:
	2 = QPSK
	3 = 8-PSK
	4 = 16-QAM
MACTive	Number of active MAC channels
DACTive	Number of active DATA channels
PLENGth	Length of preamble in chips
RHO	RHO value for the selected channel type/slot

Results for the selected channel type in the selected slot:

PCDerror	Peak code domain error in dB
IQIMbalance	IQ imbalance in %
IQOffset	IQ offset in %

Channel results:

SRATe	Symbol rate in ksps
CHANnel	Channel number
SFACTOR	Spreading factor of the channel
TOFFset	Timing offset in s
POFFset	Phase offset in rad
CDPRelative	Channel power, relative, in dB
CDPabsolute	Channel power, absolute, in dBm
EVMRms	Error vector magnitude RMS in %
EVMPeak	Error vector mag. peak in %
MTYPE	Modulation type:
	0 = BPSK-I
	1 = BPSK-Q
	2 = QPSK
	3 = 8-PSK
	4 = 16-QAM
	5 = 2BPSK (if complex analysis selected for PILOT, PREAMBLE or MAC))

Note:

*The Trigger to Frame value (TFRame) supplies a '9' if the trigger is at FREE RUN. The Timing/Phase Offset values (TOFFset/POFFset) supply a '9' if timing and phase measurement is disabled (refer to CDP:TPM) or the number of active channels is higher than 50.*

POWER VS CHIP:

The number of returned values is 2048, since one level value is available per chip.

POWER VS CHIP: <Level value in dBm>, <Level value in dBm>, etc;

PEAK CODE DOMAIN ERR und COMPOSITE EVM (TRACE2):

The number of returned value pairs corresponds to the IQ capture length. (Refer to the command CDPower: IQLength).

PEAK CODE DOMAIN ERROR: <Slot number>, <Level value in dB>, .....

COMPOSITE EVM: <Slot number>, <Value in %>, .....

SYMBOL EVM (TRACE2):

The number of values depends on the number of symbols and is between 2 and 100. Refer in this respect to the table above in the column 'Number of symbols per slot and code'.

<Value in % symbol 0>, <Value in % symbol 1>,.....;

POWER VS SYMBOL (TRACE2):

The number of values depends on the number of symbols and is between 2 and 100. Refer in this respect to the table above in the column 'Number of symbols per slot and code'.

<Value in dBm symbol 0>, <Value in dBm symbol 1>,.....;

SYMBOL CONST (TRACE2):

The number of value pairs depends on the number of symbols and is between 2 and 100. Refer in this respect to the table above in the column 'Number of symbols per slot and code'.

Real and imaginary parts are transferred as value pairs.

<re 0>,<im 0>,<re 1>,<im 1>.....<re n>, <im n>

COMPOSITE CONST (TRACe2):

Die Anzahl der Wertepaare entspricht der Chipanzahl für den Kanaltyp. Der Wert liegt zwischen 64 und 1600 Chips pro Slot. Siehe dazu in der Tabelle oben die Spalte 'Chips pro Slot'.

<re Chip 0>, <im Chip 0>, <re Chip 1>, <im Chip 1>,.....;

BITSTREAM (TRACE2):

The bit stream of a slot is output. A value is read out for each bit (range 0,1), each symbol consists of 1 bit for BPSK-I/BPSK-Q, 2 bits for QPSK and 2BPSK (Complex BPSK-I/BPSK-Q analysis), 3 bits for 8-PSK and 4 bits for 16-QAM. The bit stream per slot is accordingly of different lengths. Refer in this respect to the table above in the column 'Bits per slot and code'.

The number of bits is between 2 and 400.

Example of bit stream trace: 0, 0, 1, 0, 1, 1, 0 ...

**TRACe:COPY** TRACe:COPY TRACE1| TRACE2| TRACE3|,  
TRACE1| TRACE2| TRACE3|

This command copies data from one trace to another. The second operand describes the source, the first operand the destination of the data to be copied. The associated measurement window is selected with the numeric suffix of TRACe<1|2>.

**Example:** "TRAC: COPY TRACE1, TRACE2"

**Characteristics:** \*RST value:  
SCPI: conforming

**Mode:** A, GSM/EDGE

This command is an event and therefore has no query and no \*RST value.

## TRACe:IQ Subsystem

The commands of this subsystem are used for collection and output of measured IQ data. A special memory is therefore available in the instrument with 128k words for the I and Q data. The measurement is always performed in the time domain (span = 0 Hz) at the selected center frequency. The number of samples to be collected can be set. The sample rate can be set in the range from 15.625 kHz to 32 MHz; if channel filters are used, the sample rate is a function of the filter involved and can be determined by a separate command depending on the setting. Prior to being stored in memory or output via GPIB, the measurement data are corrected in terms of frequency response.

The commands of this subsystem are used for collection and output of measured IQ data. A special memory is therefore available in the instrument with 512k words for the I and Q data. The measurement is always performed in the time domain (span = 0 Hz) at the selected center frequency. The number of samples to be collected can be set. The sample rate can be set in the range from 15.625 kHz to 32 MHz. Prior to being stored in memory or output via GPIB, the measurement data are corrected in terms of frequency response.

**Note:** The commands of this subsystem are not available during GSM measurements.

Depending on the sample rate, the following maximum bandwidths can be obtained during the measurement.

Sample rate	Max. bandwidth	Notes
32 MHz	9.6 MHz	
16 MHz	7.72 MHz	
8 MHz	4.8 MHz	Signals outside the given bandwidth are folded back into the useful band due to the anti-aliasing filter.
4 MHz	2.8 MHz	
2 MHz	1.6 MHz	max. bandwidth = 0.8 * sample rate for sample rate ≤ 2 MHz
1 MHz	800 kHz	
500 kHz	400 kHz	
250 kHz	200 kHz	
125 kHz	100 kHz	
62.5 kHz	50 kHz	
31.25 kHz	25 kHz	
15.625 kHz	12.5 kHz	

Due to the sampling concept (21.4 MHz IF, 32 MHz Sampling rate), the image frequency is suppressed only by the 10 MHz analog IF filter. When applying an input signal at the edge of the 10 MHz band (+5 MHz from center), the image frequency appears 800 kHz above the input signal.

$$f_{\text{image}} = 2 \cdot (f_{\text{center}} + 5.4 \text{ MHz}) - f_{\text{signal}}$$

where

$f_{\text{image}}$  = image frequency in MHz

$f_{\text{center}}$  = center frequency in MHz

$f_{\text{signal}}$  = frequency of the signal to be measured in MHz

For correct operation the RF input signal shall be limited in bandwidth. Signals more than 5.4 MHz above the center frequency will be mirrored into the 10 MHz pass band.

For additional bandwidth limitation of the measurement data the analog filters (RBW ≥ 300 kHz) are available.

The I/Q data are written to separate memories of 128 k words each (512 k words with option FSP-B70). The memories are hardware-triggered.

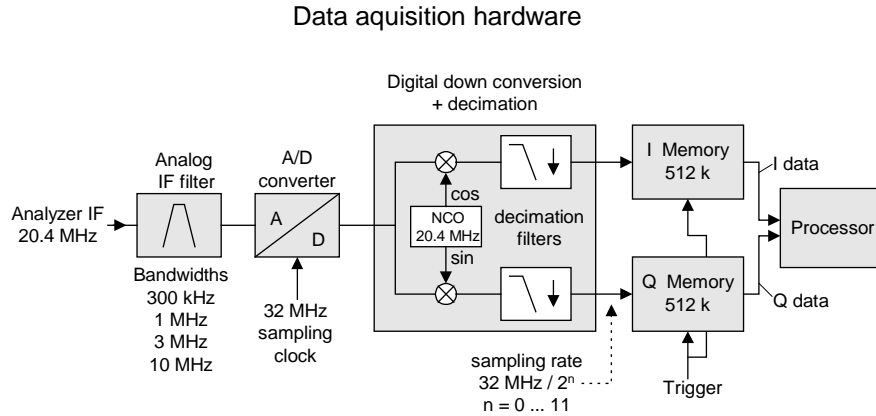


Fig. 6.1-1 Block diagram illustrating signal processing in analyzer

All trigger sources except for VIDEO can be used for triggering. The number of test points to be recorded prior to the trigger time can be selected for all of the available trigger sources except for FREE RUN, where this parameter is always to be assigned the value 0). Measurement results are output in the form of a list, with the Q values following immediately after the list of I values in the output buffer. The FORMAT command can be used to select between binary output (32 bit IEEE 754 floating-point values) and output in ASCII format.

The commands of this subsystem can be used in two ways:

1. Measurement and result query with one command:  
This method causes the least delay between measurement and output of the result data, but it requires the control computer to wait actively for the response data.
2. Setting up the instrument, start of the measurement via "INIT" and query of the result list at the end of the measurement:  
With this method the control computer can be used for other activities during the measurement. In this case the additional time needed for synchronization via service request must be taken into account.

**Note:** Averaging is not supported at sampling rates  $\neq$  32 MHz or for a trigger offset  $<$  0.

### TRACe<1|2>:IQ:DATA

This command starts a measurement with the settings defined via TRACe:IQ:SET and returns the list of measurement results immediately after they are corrected in terms of frequency response. The number of measurement results depends on the settings defined with TRACe:IQ:SET, the output format depends on the settings of the FORMat – subsystem.

**Note:** The command requires that all response data are read out completely before the instrument accepts further commands.

Parameter: none

**Example:** "TRAC:IQ:STAT ON" 'Enables acquisition of I/Q data  
 "TRAC:IQ:SET NORM,10MHz,32MHz,EXT,POS,0,4096"  
 'Measurement configuration:  
 'Filtertype:Normal  
 'RBW:10 MHz  
 'Sample Rate:32 MHz  
 'Trigger Source:External  
 'Trigger Slope:Positive  
 'Pretrigger Samples:0  
 '# of Samples:4096

"FORMat REAL, 32" 'Selects format of response data

"TRAC:IQ:DATA?" 'Starts measurement and reads results

**Return values:**

The result values are scaled linear in unit *Volt* and correspond to the voltage at the RF input of the instrument.

**ASCII Format (FORMat ASCII):**

In this case the command returns a comma separated list of the measured voltage values in floating point format (Comma Separated Values = CSV). The number of values returned is 2 \* number of samples, the first half being the I-values, the second half the Q-values.

**Binary Format (FORMat REAL,32):**

In this case the command returns binary data (Definite Length Block Data according to IEEE 488.2), with the lists of I- and Q-data being arranged one after the other in 32 Bit IEEE 754 floating point data. The scheme of the response string is as follows:

#41024<I-value1><I-value2>...<I-value128><Q-value1><Q-value2>...<Q-value128>

with

#4                    digits of the subsequent number of data bytes (4 in the example)  
 1024                 number of subsequent data bytes (# of DataBytes, 1024 in the example)  
 <I-value x>         4-Byte-Floating Point I-value  
 <Q-value y>         4-Byte-Floating Point Q-value

The number of I- and Q-data can be calculated as follows:

$$\# \text{ of } I\text{-Data} = \# \text{ of } Q\text{-Data} = \frac{\# \text{ of } DataBytes}{8}$$

The offset of Q-data in the output buffer can be calculated as follows:

$$Q\text{-Data-Offset} = \frac{(\# \text{ of } DataBytes)}{2} + LengthIndicatorDigits$$

with LengthIndicatorDigits being the number of digits of the length indicator including the '#'. In the example above (#41024...) this results in a value of 6 for LengthIndicatorDigits and the offset for the Q-data will result in 512 + 6 = 518.

**Characteristics:** \*RST value: --

**Note:**

Using the command with the \*RST values for command TRAC:IQ:SET the following minimum buffer sizes for the response data are recommended:

ASCII format: 10 kBytes

Binary format: 2 kBytes

SCPI:                 device specific

**Mode:**             A-T

**TRACe<1|2>:IQ:SET** <filter type>,<rbw>,<sample rate>,<trigger source>,<trigger slope>,<pretrigger samples>,<# of samples>

This command defines the settings of the analyzer hardware for the measurement of I/Q data. This allows setting the bandwidth of the analog filters in front of the A/D converter as well as setting the sample rate, trigger conditions and the record length.

**Note:** If this command is omitted, the current analyzer settings will be used for the corresponding parameters.

**Parameter:**

<filter type>:        NORMAL        'Selects the analog analyzer resolution filters as filter type. This is currently the only available filter type.

<rbw>:                Bandwidth of the analog filters in front of the A/D converter.

Value range: 300 kHz – 10 MHz in steps of 1, 3, 10 for  
 acquisition. <filter type> = NORMAl<sample rate>:Sampling rate for the data

Value range: 15.625 kHz, 31.25 kHz, 62.5 kHz,  
 125 kHz, 250 kHz, 500 kHz,  
 1 MHz, 2 MHz, 4 MHz, 8 MHz, 16 MHz,  
 32 MHz for <filter type> = NORMAl

<trigger mode>: Selection of the trigger source used for the measurement.

Values: IMMEDIATE | EXTERNAL | IFPOWER | RFPower

**Notes:**

*IFPower and RFPower are available as of model 03  
 of the detector board assembly.*

*RFPower requires the TV and RF Trigger option FSP-B6.*

*After selecting IFPower and RFPower, the trigger threshold can be set with  
 command TRIG:LEV:IFP or TRIG:LEV:RFP.*

<trigger slope>: Used trigger slope.

Values: POSitive (currently the only value supported)

<pretrigger samples>: Number of measurement values to be recorded before the trigger point.

Range: -16744447 (= -(2<sup>24</sup>-1-512k)) to 65023 (= 64\*1024 – 512 - 1)

**Note:** *Negative values correspond to a trigger delay.  
 For <trigger mode> = IMMEDIATE the value must be 0.*

<# of samples>: Number of measurement values to record.

Value range: 1 to 130560 (= 128\*1024 – 512)

**Examples:**

"TRAC:IQ:SET NORM,10MHz,32MHz,EXT,POS,0,2048" 'Reads 2048 I/Q-values starting at the  
 'trigger point.  
 'Filtertype: NORMAL (analog)  
 'RBW: 10 MHz  
 'Sample Rate:32 MHz  
 'Trigger: External  
 'Slope: Positive

"TRAC:IQ:SET NORM,1MHz,4MHz,EXT,POS,1024,512" 'Reads 512 I/Q-values from 1024  
 'measurement points before the  
 'trigger point.  
 'Filtertype: NORMAL (analog)  
 'RBW: 1 MHz  
 'Sample Rate:4 MHz  
 'Trigger: External  
 'Slope: Positive

**Characteristics:** \*RST values: NORM, 3MHz, 32MHz, IMM, POS, 0, 128

**Note:**

*For using these default settings with command  
 TRAC:IQ:DATA? the following minimum buffer sizes for  
 the response data are recommended:*

*ASCII format:10 kBytes*

*Binary format:2 kBytes*

SCPI: device specific

**Mode:** A-T



**TRACe<1|2>:IQ:SRATe** 15.625kHz to 32MHz

This command sets the sampling rate for the I/Q data acquisition. Thus the sample rate can be modified without affecting the other settings.

**Note:** If <filter type> = CFILter, the sample rate is determined by the selected filter bandwidth. In this case, the currently set sample rate can be determined using the query command. Entering a value causes an execution error if <filter type> = CFILter.

**Example:** "TRAC:IQ:SRAT 4MHZ"

**Characteristics:** \*RST value: 32 MHz  
SCPI: device specific

**Mode:** A-T

**TRACe<1|2>:IQ:SYNChronize[:STATe]** ON | OFF

This command switches on or off the synchronization of the start of I/Q data acquisition to the trigger event. Prior to this command, I/Q data acquisition has to be switched. The sampling rate must be 32 MHz. The synchronization ensures the correct calculation of I/Q average values as the data acquisition is always started with the same phase reference in relation to the trigger event.

**Note:** This command is only supported for sampling rate 32 MHz.

**Example:**

"TRAC:IQ ON"	'Switches on I/Q data acquisition
"TRAC:IQ:SYNC ON ON"	'Switches on synchronization of I/Q data acquisition to the trigger event
"TRAC:IQ:SET NORM, 10MHz, 32MHz, EXT, POS, 0, 2048"	'Reads 2048 I/Q-values starting at the 'trigger point. 'Filtertype: NORMAL (analog) 'RBW: 10 MHz 'Sample Rate:32 MHz 'Trigger: External 'Slope: Positive
TRAC:IQ:AVER ON	'Enables averaging of the I/Q measurement data
TRAC:IQ:AVER:COUN 10	'Selects averaging over 10 data sets
TRAC:IQ:DATA? '	'Starts the measurement and reads out the averaged 'data.

**Characteristics:** \*RST value: ON  
SCPI: device specific

**Mode:** A-T

# TRIGger Subsystem

The TRIGger subsystem is used to synchronize instrument actions with events. It is thus possible to control and synchronize the start of a sweep. An external trigger signal can be applied to the connector at the rear panel of the instrument. A distinction is made between TRIGger1 (screen A) and TRIGger2 (screen B).

COMMAND	PARAMETERS	UNIT	COMMENT
TRIGger<1 2> [:SEquence] :SOURce	IMMediate   EXTernal   VIDeo   IFPower   RFPower TV   AF   AM   FM   PM		TV, RFPOWER with option FSP-B6 AF only with option FS-K7
:LEVel			
:AM	<numeric_value>	DBM	Option FS-K7 FM Demodulator
:FM	<numeric_value>	HZ	Option FS-K7 FM Demodulator
:PM	<numeric_value>	RAD	Option FS-K7 FM Demodulator
:IFPower	<numeric_value>	DBM	
:RFPower	<numeric_value>	DBM	Option FSP-B6 TV- and RF-Trigger
:VIDeo	<numeric_value>	PCT	
:HOLDoff	<numeric_value>	S	
[:TIME]		--	
:ADJUST	POSitive NEGative		
:AUTO			
:SLOPe			Option FSP-B6 TV- and RF-Trigger
:VIDeo	525   625		
:FORMat			Option FSP-B6 TV- and RF-Trigger
:LPFRame	ALL   ODD   EVEN		
:FIELD			Option FSP-B6 TV- and RF-Trigger
:SElect	<numeric_value>		
:LINE			Option FSP-B6 TV- and RF-Trigger
:NUMBer	NEGative   POSitive		Option FS-K5
:SSIGnal		s	
:POLarity		s	
:SYNChronize	<numeric_value>	s	
:ADJust	<numeric_value>		
:EXTernal	<numeric_value>		
:IFPower			
:IMMediate	<numeric_value>		
:RFPower			

**TRIGger<1|2>[:SEquence]:SOURce** IMMediate | EXTernal | VIDeo | IFPower | RFPower | TV | AF |  
FM | AM | PM

This command selects the trigger source for the start of a sweep.

**Note:** This command is not available during GSM measurements. The trigger source selection has to be done with the command TRIGger<1|2>[:SEquence]:SYNChronize:ADJust..

The selection RFPower or TV is only available with option FSP-B6 (TV and RF Trigger).

The selection AF, AM FM and PM is only available with option FS-K7 (FM Demodulator).

**Parameter:** IMMediate = automatic triggering the next measurement at the end of the previous one. The value IMMediate corresponds to the FREE RUN setting.

EXTernal = the next measurement is triggered by the signal at the external trigger input.

VIDeo	=	the next measurement is triggered by the detection of a signal at the video filter output (not available for FM DEMOD mode).
IFPower	=	the next measurement is triggered by the detection of a signal at the instrument IF (10 MHz bandwidth)
RFPower	=	the next measurement is triggered by the detection of a signal at the instrument RF (80 MHz bandwidth)
TV	=	the next measurement is triggered by the detection of a TV signal according to the settings of the TRIGger:SEquence:VIDeo-subsystem (not available for FM DEMOD mode)
AF   FM	=	the next measurement is triggered by the detection of a FM modulated signal (AF is synonymous with FM)
AM	=	the next measurement is triggered by the detection of a audio signal after AM demodulation
PM	=	Triggern der nächsten Messung erfolgt bei Erkennen eines Audio-Signals nach der PM-Demodulation

**Note:** *To ensure successful triggering with trigger sources AF, AM, FM, and PM the measurement time should include at least 5 periods of the audio signal.*

**Example:** "TRIG:SOUR EXT" 'Selects the external trigger input as source of the trigger signal

**Characteristics:** \*RST value: IMMEDIATE  
SCPI: conforming

**Mode:** A, FM

#### TRIGger<1|2>[:SEQuence]:LEVel:AM -100 to +30dBm

The command sets the level when AM-modulated signals are used as a trigger source.

**Note:** *To ensure successful triggering with trigger sources AF, AM and FM, the measurement time should include at least 5 periods of the audio signal.*

**Example:** "TRIG:LEV:AM 10 kHz" 'Sets the AM trigger threshold to 10 kHz

**Characteristics:** \*RST value: 0 Hz  
SCPI: device-specific

**Mode:** FM

This command is only available with option FS-K7 (FM Demodulator) installed.

#### TRIGger<1|2>[:SEQuence]:LEVel:AF -10 to +10MHz

#### TRIGger<1|2>[:SEQuence]:LEVel:FM -10 to +10MHz

The command sets the level when FM-modulated signals are used as a trigger source.

**Note:** *To ensure successful triggering with trigger sources AF, AM and FM, the measurement time should include at least 5 periods of the audio signal.*

**Example:** "TRIG:LEV:FM 10 kHz" 'Sets the FM trigger threshold to 10 kHz

**Characteristics:** \*RST value: 0 Hz  
SCPI: device-specific

**Mode:** FM

This command is only available with option FS-K7 (FM Demodulator) installed.

**TRIGger**This command sets the level of the external trigger source.

**Example:** "TRIG:LEV 2V"  
**Characteristics:** \*RST value: -5.0V  
 SCPI: conforming  
**Modes:** all

**TRIGger<1|2>[:SEQUENCE]:LEVEL:PM** -1000...+1000RAD

The command sets the level when PM-modulated signals are used as a trigger source.

**Note:** To ensure successful triggering with trigger sources AF, AM, FM and PM the measurement time should include at least 5 periods of the audio signal.

**Example:** "TRIG:LEV:PM 1.2 RAD" 'stellt die PM-Triggerschwelle auf 1.2 rad  
**Eigenschaften:** \*RST value: 0 RAD  
 SCPI: gerätespezifisch  
**Mode:** FM

This command is only available with option FS-K7 (FM Demodulator) installed.

**TRIGger<1|2>[:SEQUENCE]:LEVEL:IFPower** -30 to -10DBM

This command sets the level of the IF power trigger source.

**Example:** "TRIG:LEV:IFP -20DBM"  
**Characteristics:** \*RST value: -20 DBM  
 SCPI: device-specific  
**Mode:** all, except for FM

This command is only available from firmware version 1.20 or higher.

**TRIGger<1|2>[:SEQUENCE]:LEVEL:RFPower** -50 to -10DBM

This command sets the level of the RF power trigger source.

**Example:** "TRIG:LEV:RFP -20DBM"  
**Characteristics:** \*RST value: -20 DBM  
 SCPI: device-specific  
**Mode:** all, except for FM

This command is only available with option FSP-B6 (TV and RF Trigger).

**TRIGger<1|2>[:SEQUENCE]:LEVEL:VIDeo** 0 to 100PCT

This command sets the level of the video trigger source.

**Example:** "TRIG:LEV:VID 50PCT"  
**Characteristics:** \*RST value: 50 PCT  
 SCPI: device-specific  
**Mode:** all, except for FM

**TRIGger<1|2>[:SEQUENCE]:HOLDoff** -100 to 100s

This command defines the length of the trigger delay.

A negative delay time (pretrigger) can be set in the time domain (span < 0 Hz) only.

**Example:** "TRIG:HOLD 500us"

**Characteristics:** \*RST value: 0s  
SCPI: conforming

**Mode:** all

**TRIGger<1|2>[:SEQUENCE]:SLOPe** POSitive | NEGative

This command selects the slope of the trigger signal. The selected trigger slope applies to all trigger signal sources .

**Example:** "TRIG:SLOP NEG"

**Characteristics:** \*RST value: POSitive  
SCPI: conforming

**Mode:** all

**TRIGger<1|2>[:SEQUENCE]:VIDeo:FORMat:LPFRame** 525 | 625

This command defines the line system in use (525 or 625 lines) with active TV trigger.

**Example:** "TRIG:VID:FORM:LPFR 525"

**Characteristics:** \*RST value:  
SCPI: conforming

**Mode:** A-T

This command is only available with option FSP-B6 (TV and RF Trigger).

**TRIGger<1|2>[:SEQUENCE]:VIDeo:LINE:NUMBer** <numeric\_value>

With active TV trigger this command activates triggering at the horizontal sync signal of the indicated line number.

**Example:** "TRIG:VID:LINE:NUMB 17"

**Characteristics:** \*RST value:  
SCPI: conforming

**Mode:** A-T

This command is only available with option FSP-B6 (TV and RF Trigger).

**TRIGger<1|2>[:SEQuence]:VIDeo:FIELd:SElect** ALL | ODD | EVEN

With active TV trigger this command activates triggering at the vertical sync signal.

The measurement is triggered on both fields with selection ALL, on odd fields with selection ODD and on even fields with selection EVEN.

**Example:** "TRIG:VID:FIEL:SEL ALL"

**Characteristics:** \*RST value:  
SCPI: conforming

**Mode:** A-T

This command is only available with option FSP-B6 (TV and RF Trigger).

**TRIGger<1|2>[:SEQuence]:VIDeo:SSIGnal:POLarity** NEGative | POSitive

With active TV trigger this command selects the polarity of the video sync signal.

**Example:** "TRIG:VID:SSIG:POL NEG "

**Characteristics:** \*RST value:  
SCPI: conforming

**Mode:** A-T

This command is only available with option FSP-B6 (TV and RF Trigger).

**TRIGger<1|2>[:SEQuence]:SYNChronize:ADJust:EXTernal** -460µs to 8s

This command is a combination of 2 commands:

For one, the 'Extern' GSM trigger is selected. For all GSM measurements requiring a trigger signal and for which an external trigger is possible, the `EXTernal` trigger setting is used. If an external trigger is not possible, the `IMMediate` trigger setting is used (see manual of option).

For another, the correction value for the time offset of the external trigger from the beginning of the first active slot is defined (see manual of option).

This correction value is needed in order to establish an exact time reference between the trigger event and the beginning of the slot if there is no midamble triggering. The correction value for the DUT in question can be determined in the `GENERAL SETTINGS` menu with the `TRIGGER OFFSET` softkey.

This command is available only if GSM/EDGE/EDGE Analyzer (FS-K5) application firmware is installed.

**Note:** - If the analyzer is set to external trigger when the GSM/EDGE/EDGE mode is activated (using `INST:SEL MGSM`), the GSM trigger 'Extern' is used. If it is set to RF power, the GSM trigger 'RF Power' is used; otherwise the GSM trigger 'IF Power' (default).

- When the instrument switches over from GSM/EDGE/EDGE mode to analyzer mode, the GSM/EDGE/EDGE trigger setting is maintained, i.e. IF power, RF power, or external trigger.

**Example:** "INST MGSM" 'Switches the instrument to GSM/EDGE mode  
"TRIG:SYNC:ADJ:EXT 200us" 'Selects 'Extern' GSM trigger and a GSM  
'trigger offset of 200 µs between the  
'external trigger and the beginning of the slot.

**Characteristics:** \*RST value: 0s  
SCPI: device-specific

**Mode:** GSM/EDGE

**TRIGger<1|2>[:SEQUENCE]:SYNChronize:ADJust:IFPower** -460µs to 8s

This command is a combination of 2 commands:

For one, the 'IF Power' GSM trigger is selected. For all GSM measurements for which an IF power trigger is possible, the `IFPower` trigger setting is used. If an IF power trigger is not possible, the `IMMEDIATE` trigger setting is used (see manual of option).

For another, the correction value for the time offset of the IF power trigger from the beginning of the first active slot is defined (see manual of option). This correction value is needed in order to establish an exact time reference between the trigger event and the beginning of the slot if there is no midamble triggering. The correction value for the DUT in question can be determined in the *GENERAL SETTINGS* menu with the *TRIGGER OFFSET* softkey.

This command is available only if GSM/EDGE Analyzer application firmware (FS-K5) is installed.

**Note:** When entering the option GSM/EDGE Analyzer (with `INST:SEL MGSM`), the following GSM Trigger selection is made:

If the Analyzer trigger source is 'IF POWER trigger' the GSM trigger 'IF POWER' is selected.

If the Analyzer trigger source is 'Extern trigger' the GSM trigger 'Extern' is selected.

If the Analyzer trigger source is 'RF POWER trigger' the GSM trigger 'RF POWER' is selected.

Otherwise the (default) GSM Trigger 'IF POWER' is selected.

When switching from GSM/EDGE mode to Analyzer mode, the GSM/EDGE trigger setting is maintained, i.e. IF power if 'IF Power' was set before, RF power if 'RF Power' was set before and external trigger, if 'Extern' was set before.

**Example:**

<code>"INST MGSM"</code>	'Switches the instrument to GSM/EDGE mode
<code>"TRIG:SYNC:ADJ:IFP 20us"</code>	'Selects 'IF Power' GSM trigger and a GSM trigger offset of 20 µs between the IF power trigger and the beginning of the slot

**Characteristics:** \*RST value: 0s  
SCPI: device-specific

**Mode:** GSM/EDGE

Measurements that can be executed in the Free Run mode use the free-run trigger mode. (See also the table of the used trigger in the R&S FS-K5 operating manual.)

This command is available only with options R&S GSM/EDGEFS-K5.

- Notes:**
- If the analyzer is set to Free Run when the GSM/EDGE mode is activated (by `INST:SEL MGSM`), the GSM trigger IF Power will be selected.
  - Upon switchover from the GSM/EDGE mode to the analyzer mode, the GSM/EDGE trigger setting will be adopted i.e., IF Power, RF Power, Free Run or external trigger.

**Example:**

<code>"INST MGSM"</code>	'switches the R&S FSP to GSM/EDGE mode
<code>"TRIG:SYNC:ADJ:IMM"</code>	'selects the GSM trigger Free Run

**Properties:** \*RST value: --  
SCPI: device-specific

**TRIGger[:SEQUENCE]:SYNChronize:ADJust:RFPower** -460µs to 8s

This command is a combination of 2 commands:

For one, the 'RF Power' GSM trigger is selected. For all GSM measurements for which an RF power trigger is possible, the `RFPower` trigger setting is used. If an RF power trigger is not possible, the `IMMEDIATE` trigger setting is used (see table of triggers in FS-K5 manual)

For another, the correction value for the time offset of the RF power trigger from the beginning of the first active slot is defined. This correction value is needed in order to establish an exact time reference between the trigger event and the beginning of the slot if there is no midamble triggering. The correction value for the DUT in question can be determined in the *GENERAL SETTINGS* menu of option FS-K5 with the *TRIGGER OFFSET* softkey.

This command is available only if GSM/EDGE Analyzer application firmware (FS-K5) is installed and if the option FSP-B6 (TV and RF Trigger) is available.

**Note:** When entering the option GSM/EDGE Analyzer (with `INST:SEL MGSM`), the following GSM Trigger selection is made:  
If the Analyzer trigger source is 'IF POWER trigger' the GSM trigger 'IF POWER' is selected.  
If the Analyzer trigger source is 'Extern trigger' the GSM trigger 'Extern' is selected.  
If the Analyzer trigger source is 'RF POWER trigger' the GSM trigger 'RF POWER' is selected.  
Otherwise the (default) GSM Trigger 'IF POWER' is selected. When switching from GSM/EDGE mode to Analyzer mode, the GSM/EDGE trigger setting is maintained, i.e. IF power if 'IF Power' was set before, RF power if 'RF Power' was set before and external trigger, if 'Extern' was set before.

**Example:**           `"INST MGSM"`           'Switches the instrument to GSM/EDGE mode  
                  `"TRIG:SYNC:ADJ:RFP 20us"` 'Selects 'RF Power' GSM trigger and a GSM  
                  'trigger offset of 20  $\mu$ s between the 'RF power trigger and the beginning of the slot

**Characteristics:** \*RST value:   0s  
                      SCPI:           device-specific

**Mode:**            GSM/EDGE



## UNIT Subsystem

The UNIT subsystem is used to switch the basic unit of setting parameters. A distinction is made between UNIT1 (screen A) and UNIT2 (screen B).

COMMAND	PARAMETERS	UNIT	COMMENT
UNIT<1 2> :POWer	DBM   V   A   W   DBPW   WATT   DBUV   DBMV   VOLT   DBUA   AMPere		

**UNIT<1|2>:POWer** DBM | DBPW | WATT | DBUV | DBMV | VOLT | DBUA | AMPere | V | A | W

This command selects the default unit for the selected measurement window.

**Note:** This command is not available in GSM/EDGE mode. In GSM/EDGE mode, the unit is fixed, i.e. dBm (for power measurements) or deg (for phase error measurements).

**Example:** "UNIT:POW DBUV" 'Sets the power unit for screen A to dBm.

**Characteristics:** \*RST value: DBM  
SCPI: conforming

**Mode:** A



## **IEC/IEEE-Bus Commands of HP Models 856xE, 8566A/B, 8568A/B and 8594E**

### **Introduction**

The FSP analyzer family supports a subset of the IEC/IEEE-bus commands of HP models 8560E, 8561E, 8562E, 8563E, 8564E, 8565E, 8566A, 8566B, 8568A, 8568B and 8594E.

Despite the differences in system architecture and device features, the supported commands have been implemented in a way to ensure a sufficiently high degree of correspondence with the original.

This includes the support of syntax rules for not only newer device families (B and E models) but for the previous A family as well.

In many cases the selection of commands supported by the FSP is sufficient to run an existing IEC/IEEE-bus program without adaptation.

The device model to be emulated is selected manually by means of the key sequence *SETUP - GENERAL SETUP - GPIB - GPIB LANGUAGE* via the IEC/IEEE bus using the *SYSTem:LANGuage* command.

To make it possible to also emulate device models that are not part of the selection list of the GPIB LANGUAGE softkey, the identification string received in response to the ID command can be modified (key sequence *SETUP - GENERAL SETUP - GPIB - ID STRING USER*). This allows any device model to be emulated whose command set is compatible with one of the supported device models.

### **Command Set of Models 8560E, 8561E, 8562E, 8563E, 8564E, 8565E, 8566A/B, 8568A/B and 8594E**

As with the original units, the FSP includes the command set of the A models in the command set of the B models.

<b>Command</b>	<b>Supported subset</b>	<b>Function</b>	<b>Corresponding HP-Models</b>	<b>Status</b>
A1	A1	Clear/Write A	HP 8566A/ HP 8568A	available
A2	A2	Max Hold A	HP 8566A/ HP 8568A	available
A3	A3	View A	HP 8566A/ HP 8568A	available
A4	A4	Blank A	HP 8566A/ HP 8568A	available
ABORT <sup>1)</sup>	ABORT	Stop previous function	HP 856xE / HP 8566B / HP 8568B / HP 8594E	available
ADJALL	ADJALL	Adjust all	HP 856xE / HP 8566B / HP 8568B / HP 8594E	available in V3.2x and above
ADJCRT <sup>2)</sup>	ADJCRT	Adjust CRT	HP 856xE / HP 8566B / HP 8568B / HP 8594E	available in V3.2x and above
ADJIF <sup>2)</sup>	ADJIF	Auto adjust IF	HP 856xE / HP 8566B / HP 8568B / HP 8594E	available in V3.2x and above

Command	Supported subset	Function	Corresponding HP-Models	Status
AMB	AMB ON OFF AMB 1 0 AMB?	Trace A - B -> Trace A	HP 856xE / HP 8594E	available in V3.3x and above
AMBPL	AMBPL ON OFF AMBPL 1 0 AMBPL?		HP 856xE / HP 8566B / HP 8568B / HP 8594E	available
ANNOT	ANNOT ON OFF ANNOT 1 0 ANNOT?	Annotation	HP 856xE / HP 8566B / HP 8568B / HP 8594E	available
APB	APB	Trace A + B -> Trace A	HP 856xE / HP 8566B / HP 8568B / HP 8594E	available in V3.3x and above
AT	AT <numeric_value> DB   DM AT DN AT UP AT AUTO AT?	Attenuation	HP 8566A/ HP 8568A/ HP 856xE / HP 8566B / HP 8568B / HP 8594E	available
AUNITS	AUNITS DBM   DBMV   DBUV AUNITS?	Amplitude Units	HP 856xE / HP 8566B / HP 8568B / HP 8594E	available
AUTOCP	AUTOCP	Coupling default	HP 856xE / HP 8566B / HP 8568B / HP 8594E	available in V3.2x and above
AXB	AXB	Exchange trace A and B	HP 856xE / HP 8566B / HP 8568B / HP 8594E	available in V3.2x and above
B1	B1	Clear/Write B	HP 8566A/ HP 8568A	available
B2	B2	Max Hold B	HP 8566A/ HP 8568A	available
B3	B3	View B	HP 8566A/ HP 8568A	available
B4	B4	Blank B	HP 8566A/ HP 8568A	available
BL	BL	Trace B - Display Line -> Trace B	HP 8566A/ HP 8568A	available in V3.3x and above
BML	BML	Trace B - Display Line -> Trace B	HP 856xE/ HP8594E	available in V3.3x and above
BTC	BTC	Transfer Trace B - > C	HP 856xE / HP 8566B / HP 8568B / HP 8594E	available in V3.3x and above
BXC	BXC	Exchange Trace B and C	HP 856xE / HP 8566B / HP 8568B / HP 8594E	available in V3.3x and above
BLANK	BLANK TRA TRB TRC	Blank Trace	HP 856xE / HP 8566B / HP 8568B / HP 8594E	available

**FSP IEC/IEEE-Bus Commands of HP Models 856xE, 8566A/B, 8568A/B and 8594E**

Command	Supported subset	Function	Corresponding HP-Models	Status
C1	C1	A-B off	HP 8566A/ HP 8568A	available
C2	C2	A-B -> A	HP 8566A/ HP 8568A	available
CA	CA	Couple Attenuation	HP 8566A/ HP 8568A	available
CAL <sup>1)</sup>	CAL ALL CAL ON CAL OFF	Start analyzer self alignment	HP 856xE / HP 8566B / HP 8568B / HP 8594E	available
CF	CF <numeric_value> HZ KHZ MHZ GHZ CF UP CF DN CF?	Center Frequency	HP 8566A/ HP 8568A/ HP 856xE / HP 8566B / HP 8568B / HP 8594E	available
CHANPWR	CHANPWR TRA TRB, <numeric_value>, ?	Channel Power Measurement	HP 856xE / HP 8594E	available in V3.4x and above
CHPWRBW	CHPWRBW <numeric_value> HZ KHZ MHZ GHZ	Channel Power Bandwidth	HP 856xE / HP 8594E	available in V3.4x and above
CLRW	CLRW TRA TRB TRC	Clear/Write Trace	HP 856xE / HP 8566B / HP 8568B / HP 8594E	available
CLS <sup>1)</sup>	CLS	Clear all status bits	HP 856xE / HP 8566B / HP 8568B / HP 8594E	available
CONTS	CONTS		HP 856xE / HP 8566B / HP 8568B / HP 8594E	available
COUPLE	COUPLE AC DC	Input coupling	HP 856xE / HP 8566B / HP 8568B / HP 8594E	available in V3.2x and above
CR	CR	Couple RBW	HP 8566A/ HP 8568A	available
CS	CS	Couple Step Size	HP 8566A/ HP 8568A	available
CT	CT	Couple SWT	HP 8566A/ HP 8568A	available
CV	CV	Couple VBW	HP 8566A/ HP 8568A	available
D1 <sup>2)</sup>	D1	Display Size normal	HP 8566A/ HP 8568A	available in V3.3x and above
DEMOM <sup>1)</sup>	DEMOM ON OFF AM FM	AF Demodulator	HP 856xE / HP 8566B / HP 8568B / HP 8594E	available
DEMOMAGC <sup>2)</sup>	DEMOMAGC ON OFF 1 0 DEMOMAGC?	Demodulation AGC	HP 856xE / HP 8566B / HP 8568B / HP 8594E	available in V3.2x and above
DEMOMT	DEMOMT <numeric_value> S MS US SC	Demodulation time	HP 856xE / HP 8566B /	available in V3.3x and above

Command	Supported subset	Function	Corresponding HP-Models	Status
	DEMOT UP DN DEMOT?		HP 8568B / HP 8594E	
DET	DET POS SMP NEG DET?	Detector	HP 856xE / HP 8566B / HP 8568B / HP 8594E	available
DL	DL <numeric_value> DB DM DL DN DL UP DL ON DL OFF DL?	Display Line	HP 856xE / HP 8566B / HP 8568B / HP 8594E	available
DLE	DLE ON OFF	Display Line enable	HP 856xE / HP 8566B / HP 8568B / HP 8594E	available in V3.3x and above
DONE	DONE DONE?	Done query	HP 856xE / HP 8566B / HP 8568B / HP 8594E	available
E1	E1	Peak Search	HP 8566A/ HP 8568A	available
E2	E2	Marker to Center Freq.	HP 8566A/ HP 8568A	available
E3	E3	Deltamarker Step Size	HP 8566A/ HP 8568A	available
E4	E4	Marker to Ref. Level	HP 8566A/ HP 8568A	available
ERR?	ERR?	Error queue query	HP 856xE / HP 8566B / HP 8568B / HP 8594E	available
EX	EX	Exchange trace A and B	HP 8566A / HP 8568A	available in V3.2x and above
FA	FA <numeric_value> HZ KHZ MHZ GHZ FA UP FA DN FA?	Start Frequency	HP 8566A/ HP 8568A/ HP 856xE / HP 8566B / HP 8568B / HP 8594E	available
FB	FB <numeric_value> HZ KHZ MHZ GHZ FB UP FB DN FB?	Stop Frequency	HP 8566A/ HP 8568A/ HP 856xE / HP 8566B / HP 8568B / HP 8594E	available
FOFFSET <sup>1)</sup>	FOFFSET <numeric_value> HZ KHZ MHZ GHZ FOFFSET?	Frequency Offset	HP 856xE / HP 8566B / HP 8568B / HP 8594E	available
FREF	FREF INT EXT	Reference Frequency	HP 856xE / HP 8566B / HP 8568B / HP 8594E	available in V3.2x and above
FS	FS	Full Span	HP 8566A/ HP 8568A	available
GATE <sup>1)</sup>	GATE ON OFF		HP 856xE / HP 8566B /	available

**FSP IEC/IEEE-Bus Commands of HP Models 856xE, 8566A/B, 8568A/B and 8594E**

Command	Supported subset	Function	Corresponding HP-Models	Status
	GATE 1 0		HP 8568B / HP 8594E	
GATECTL <sup>1)</sup>	GATECTL EDGE LEVEL GATECTL?		HP 856xE / HP 8566B / HP 8568B / HP 8594E	available
GD <sup>1)</sup>	GD <numeric_value> US MS SC GD DN GD UP GD?		HP 856xE / HP 8566B / HP 8568B / HP 8594E	available
GL <sup>1)</sup>	GL <numeric_value> US MS SC GL DN GL UP GL?		HP 856xE / HP 8566B / HP 8568B / HP 8594E	available
GP <sup>1)</sup>	GP POS NEG GP?		HP 856xE / HP 8566B / HP 8568B / HP 8594E	available
GRAT <sup>2)</sup>	GRAT ON OFF	Graticule	HP 856xE / HP 8566B / HP 8568B / HP 8594E	available in V3.2x and above
I1	I1		HP 8566A/ HP 8568A	available
I2	I2		HP 8566A/ HP 8568A	available
ID	ID ID?	Identify	HP 8566A/ HP 8568A/ HP 856xE / HP 8566B / HP 8568B / HP 8594E	available
INZ <sup>1)</sup>	INZ 75 INZ 50 INZ?	Input Impedance	HP 856xE / HP 8566B / HP 8568B / HP 8594E	available
IP	IP	Instrument preset	HP 8566A/ HP 8568A	available
KS=	KS= <numeric_value> HZ KHZ MHZ GHZ KS= DN KS= UP KS=?	Marker Frequency Counter Resolution	HP 8566A/ HP 8568A	available
KS/	KS/	Manual Peaking	HP 8566A/ HP 8568A	available in V3.2x and above
KS(	KS(	Lock register	HP 8566A/ HP 8568A	available in V3.4x and above
KS)	KS)	Unlock register	HP 8566A/ HP 8568A	available in V3.4x and above
KS91	KS91	Read Amplitude Error	HP 8566A/ HP 8568A	available in V3.4x and above
KSA	KSA	Amplitude Units in dBm	HP 8566A/ HP 8568A	available
KSB	KSB	Amplitude Units in dBmV	HP 8566A/ HP 8568A	available
KSC	KSC	Amplitude Units in	HP 8566A/	available

**IEC/IEEE-Bus Commands of HP Models 856xE, 8566A/B, 8568A/B and 8594E FSP**

Command	Supported subset	Function	Corresponding HP-Models	Status
		dBuV	HP 8568A	
KSD	KSD	Amplitude Units in V	HP 8566A/ HP 8568A	available
KSE	KSE <numeric_value> <char data>@	Title mode	HP 8566A/ HP 8568A	available
KSG	KSG KSG ON KSG <numeric_value>	Video Averaging on	HP 8566A/ HP 8568A	available
KSH	KSH	Video Averaging Off	HP 8566A/ HP 8568A	available
KSK		Marker to Next Peak	HP 8566A/ HP 8568A	available
KSL		Marker Noise off	HP 8566A/ HP 8568A	available
KSM		Marker Noise on	HP 8566A/ HP 8568A	available
KSO	KSO	Deltamarker to span	HP 8566A/ HP 8568A	available in V3.2x and above
KSP	KSP <numeric_value>	HPIB address	HP 8566A/ HP 8568A	available
KSQ <sup>2)</sup>	KSQ	Band lock off	HP 8566A/ HP 8568A	available in V3.2x and above
KST	KST	Fast Preset	HP 8566A/ HP 8568A	available
KSV	KSV <numeric_value> HZ KHZ MHZ GHZ KSV?	Frequency Offset	HP 8566A/ HP 8568A	available
KSW	KSW	Error Correction Routine	HP 8566A/ HP 8568A	available
KSX	KSX	Correction Values On	HP 8566A/ HP 8568A	available
KSY	KSY	Correction Values Off	HP 8566A/ HP 8568A	available
KSZ	KSZ <numeric_value> DB KSZ?	Reference Value Offset	HP 8566A/ HP 8568A	available
KSa	KSa	Normal Detection	HP 8566A/ HP 8568A	available
KSb	KSb	Pos Peak Detection	HP 8566A/ HP 8568A	available
KSd	KSd	Neg Peak Detection	HP 8566A/ HP 8568A	available
KSe	KSe	Sample Detection	HP 8566A/ HP 8568A	available
KSj	KSj	View Trace C	HP 8566A/ HP 8568A	available
KSk	KSk	Blank Trace C	HP 8566A/ HP 8568A	available
KSl	KSl	Transfer B to C	HP 8566A/ HP 8568A	available
KSm	KSm	Graticule off	HP 8566A/ HP 8568A	available



**FSP IEC/IEEE-Bus Commands of HP Models 856xE, 8566A/B, 8568A/B and 8594E**

Command	Supported subset	Function	Corresponding HP-Models	Status
KSn	KSn	Grid on	HP 8566A/ HP 8568A	available in V3.2x and above
KSo	KSn	Character display off	HP 8566A/ HP 8568A	available in V3.2x and above
KSp	KSp	Character display on	HP 8566A/ HP 8568A	available in V3.2x and above
KSr	KSr	Create service request	HP 8566A/ HP 8568A	available in V3.2x and above
KSt <sup>2)</sup>	KSt	Band lock on	HP 8566A/ HP 8568A	available in V3.2x and above
KSv <sup>2)</sup>	KSv	Signal ident on	HP 8566A/ HP 8568A	available in V3.2x and above
L0	L0	Display line off	HP 8566A/ HP 8568A	available in V3.2x and above
LB	LB <numeric_value> <char data>@	Label	HP 8566A/ HP 8568A	available in V3.2x and above
LF	LF	Low frequency band preset	HP 8566A/ HP 8568A	available in V3.2x and above
LG	LG <numeric_value> DB   DM LG?	Amplitude Scale Log	HP 856xE / HP 8566B / HP 8568B / HP 8594E	available
LL <sup>2)</sup>	LL	Plot command	HP 8566A/ HP 8568A	available in V3.2x and above
LN	LN	Amplitude Scale Lin	HP 856xE / HP 8566B / HP 8568B / HP 8594E	available
M1	M1	Marker Off	HP 8566A/ HP 8568A	available
M2	M2 M2 <numeric_value> HZ KHZ MHZ GHZ M2 DN M2 UP M2?	Marker Normal	HP 8566A/ HP 8568A	available
M3	M3 M3 <numeric_value> HZ KHZ MHZ GHZ M3 DN M3 UP M3?	Delta Marker	HP 8566A/ HP 8568A	available
M4	M4 <numeric_value> HZ KHZ MHZ GHZ	Marker Zoom	HP 8566A/ HP 8568A	available
MA	MA	Marker Amplitude	HP 8566A/ HP 8568A	available
MC0	MC0	Marker Count off	HP 8566A/ HP 8568A	available
MC1	MC1	Marker Count on	HP 8566A/ HP 8568A	available
MF	MF MF?	Marker Frequency	HP 8566A/ HP 8568A/ HP 856xE / HP 8566B / HP 8568B /	available

Command	Supported subset	Function	Corresponding HP-Models	Status
			HP 8594E	
MINH <sup>1)</sup>	MINH TRC	Minimum Hold	HP 856xE / HP 8566B / HP 8568B / HP 8594E	available
MKA	MKA <numeric_value> MKA?	Marker Amplitude	HP 856xE / HP 8566B / HP 8568B / HP 8594E	MKA <numeric_value> available in V3.4x and above query always available
MKACT	MKACT 1 MKACT?	Select the active marker	HP 856xE / HP 8566B / HP 8568B / HP 8594E	available
MKBW <sup>1)</sup>	MKBW <numeric_value> MKBW ON MKBW OFF	N dB Down	HP 856xE / HP 8566B / HP 8568B / HP 8594E	available
MKD	MKD MKD <numeric_value> HZ KHZ  MHZ GHZ MKD DN MKD UP MKD ON MKD OFF MKD?	Delta Marker	HP 856xE / HP 8566B / HP 8568B / HP 8594E	available
MKDR	MKDR <numeric_value> HZ KHZ  MHZ GHZ  S SC MS MSEC USMKD R?	Delta Marker reverse	HP 856xE / HP 8566B / HP 8568B / HP 8594E	query available in V3.2x and above, completely available in V3.3x and above
MKF	MKF <numeric_value> HZ KHZ  MHZ GHZ MKF?	Set Marker Frequency	HP 856xE / HP 8566B / HP 8568B / HP 8594E	available
		Marker On		hidden
MKFC	MKFC ON OFF	Frequency Counter on/off	HP 856xE / HP 8566B / HP 8568B / HP 8594E	available in V3.2x and above
MKFCR <sup>1)</sup>	MKFCR <numeric_value>HZ KHZ  MHZ GHZ MKFCR DN MKFCR UP MKFCR?	Frequency Counter Resolution	HP 856xE / HP 8566B / HP 8568B / HP 8594E	available
MKMIN	MKMIN	Marker -> Min	HP 856xE / HP 8566B / HP 8568B / HP 8594E	available
MKN	MKN MKN <numeric_value> HZ KHZ  MHZ GHZ MKN DN MKN UP MKN ON MKN OFF MKN?	Normal Marker	HP 856xE / HP 8566B / HP 8568B / HP 8594E	available
MKNOISE	MKNOISE ON OFF MKNOISE 1 0	Noise Measurement	HP 856xE / HP 8566B /	available

**FSP IEC/IEEE-Bus Commands of HP Models 856xE, 8566A/B, 8568A/B and 8594E**

Command	Supported subset	Function	Corresponding HP-Models	Status
	MKNOISE?		HP 8568B / HP 8594E	
MKOFF	MKOFF MKOFF ALL	Marker off	HP 856xE / HP 8566B / HP 8568B / HP 8594E	available
MKP	MKP <numeric_value> MKP?	Marker position	HP 856xE / HP 8566B / HP 8568B / HP 8594E	available in V3.4x and above
MKPK	MKPK MKPK HI MKPK NH MKPK NR MKPK NL	Marker Search	HP 856xE / HP 8566B / HP 8568B / HP 8594E	available
MKPT	MKPT MKPT HI MKPT NH MKPT NR MKPT NL	Marker Peak Threshold	HP 856xE / HP 8566B / HP 8568B / HP 8594E	available
MKPX	MKPX <numeric_value> DB MKPX DN MKPX UP MKPX?	Peak Excursion	HP 856xE / HP 8566B / HP 8568B / HP 8594E	available
MKRL	MKRL	Ref Level = Marker Level	HP 856xE / HP 8566B / HP 8568B / HP 8594E	available
MKSP	MKSP	Deltamarker to span	HP 856xE / HP 8566B / HP 8568B / HP 8594E	available in V3.2x and above
MKSS	MKSS	CF Stepsize = Marker Freq	HP 856xE / HP 8566B / HP 8568B / HP 8594E	available
MKT	MKT <numeric_value> S   MS US SC MKT?	MKF = fstart + MKT/SWT*Span	HP 856xE / HP 8594E	available in V3.3x and above
MKTRACE	MKTRACE TRA TRB TRC	Marker to Trace	HP 856xE / HP 8566B / HP 8568B / HP 8594E	available
MKTRACK	MKTRACK ON OFF MKTRACK 1 0 MKTRACK?	Signal Track	HP 856xE / HP 8566B / HP 8568B / HP 8594E	available
MKTYPE	MKTYPE AMP MKTYPE?	Marker type	HP 856xE / HP 8566B / HP 8568B / HP 8594E	available in V3.4x and above
MOV	MOV TRA TRB TRC, TRA TRB TRC	Move Trace Contents	HP 856xE / HP 8566B / HP 8568B / HP 8594E	available
MT0	MT0	Marker Track Off	HP 8566A/ HP 8568A	available

Command	Supported subset	Function	Corresponding HP-Models	Status
MT1	MT1	Marker Track On	HP 8566A/ HP 8568A	available
MXMH	MXMH TRA TRB	Maximum Hold	HP 856xE / HP 8566B / HP 8568B / HP 8594E	available
NORMALIZE	NORMALIZE	Normalize trace	HP 856xE / HP 8566B / HP 8568B / HP 8594E	available in V3.2x and above
NRL <sup>1)</sup>	NRL <numeric_value> DB   DM NRL?	Normalized Reference Level	HP 856xE / HP 8566B / HP 8568B / HP 8594E	available
NRPOS	NRPOS <numeric_value> NRL?	Normalize position	HP 856xE / HP 8566B / HP 8568B / HP 8594E	available in V3.2x and above
O1	O1	Format ASCII, Values 0 to 4095	HP 8566A/ HP 8568A	available
O2	O2	Format Binary, Values 0 to 4095	HP 8566A/ HP 8568A	available in V3.3x and above
O3	O3	Format ASCII	HP 8566A/ HP 8568A	available
OA	OA	Output All	HP 8566A/ HP 8568A	available
OL	OL <80 characters> OL?	Output Learn String	HP 8566A/ HP 8568A	available
OT	OT	Output Trace Annotations	HP 8566A/ HP 8568A	available
PA <sup>2)</sup>	PA <numeric_value>, <numeric_value	Plot command	HP 8566A/ HP 8568A	available in V3.2x and above
PD <sup>2)</sup>	PD <numeric_value>, <numeric_value	Plot command	HP 8566A/ HP 8568A	available in V3.2x and above
PLOTORG <sup>2)</sup>	PLOTORG DSP GRT	Plot command	HP 856xE / HP 8566B / HP 8568B / HP 8594E	available in V3.2x and above
PLOTSRC <sup>2)</sup>	PLOTSRC ANNT GRT TRB  TRA ALLDSP GRT	Plot command	HP 856xE / HP 8566B / HP 8568B / HP 8594E	available in V3.2x and above
PP	PP	Preselector Peaking	HP 8566A/ HP 8568A	available
PRINT <sup>1)</sup>	PRINT PRINT 1 0	Hardcopy	HP 856xE / HP 8566B / HP 8568B / HP 8594E	available
PSDAC <sup>2)</sup>	PSDAC <numeric_value> PSDAC UP DN	Preselector DAC value	HP 856xE / HP 8566B / HP 8568B / HP 8594E	available in V3.2x and above
PSTATE <sup>2)</sup>	PSTATE ON OFF 1 0	Protect State	HP 856xE / HP 8566B / HP 8568B / HP 8594E	available in V3.2x and above

**FSP IEC/IEEE-Bus Commands of HP Models 856xE, 8566A/B, 8568A/B and 8594E**

Command	Supported subset	Function	Corresponding HP-Models	Status
PU <sup>2)</sup>	PU	Pen Up	HP 8566A/ HP 8568A	available in V3.3x and above
R1	R1	Set Status Bit Enable	HP 8566A/ HP 8568A	available
R2	R2	Set Status Bit Enable	HP 8566A/ HP 8568A	available
R3	R3	Set Status Bit Enable	HP 8566A/ HP 8568A	available
R4	R4	Set Status Bit Enable	HP 8566A/ HP 8568A	available
RB	RB <numeric_value> HZ KHZ MHZ GHZ RB DN RB UP RB AUTO RB?	Resolution Bandwidth	HP 856xE / HP 8566B / HP 8568B / HP 8594E	available
RBR	RBR <numeric_value> RBR DN RBR UP RBR?	Resolution Bandwidth Ratio	HP 856xE / HP 8566B / HP 8568B / HP 8594E	available in V3.2x and above
RC1...6	RC1...6	Recall Last State	HP 8566A/ HP 8568A	available
RCLS	RCLS <numeric_value>	Recall State Register	HP 856xE / HP 8566B / HP 8568B / HP 8594E	available
RCLT	RCLT TRA TRB,<number>	Recall Trace	HP856xE / HP8594E	available in V3.3x and above
RESET	RESET	Instrument preset	HP 856xE / HP 8566B / HP 8568B / HP 8594E	available
REV	REV REV?	Firmware revision	HP 856xE / HP 8566B / HP 8568B / HP 8594E	available
RL	RL <numeric_value> DB DM RL DN RL UP RL?	Reference Level	HP 856xE / HP 8566B / HP 8568B / HP 8594E	available
RLCAL	RLCAL <numeric_value> RL?	Reference Level Calibration	HP 856xE / HP 8566B / HP 8568B / HP 8594E	available in V3.2x and above
RCLOSCAL	RCLOSCAL	Recall Open/Short Average	HP 856xE / HP 8594E	available in V3.3x and above
RCLTHRU	RCLTHRU	Recall Thru	HP 856xE / HP 8594E	available in V3.3x and above
RLPOS <sup>1)</sup>	RLPOS <numeric_value> RLPOS DN RLPOS UP RLPOS?	Reference Level Position	HP 856xE / HP 8566B / HP 8568B / HP 8594E	available
ROFFSET	ROFFSET <numeric_value> DB   DM ROFFSET?	Reference Level Offset	HP 856xE / HP 8566B / HP 8568B / HP 8594E	available

**IEC/IEEE-Bus Commands of HP Models 856xE, 8566A/B, 8568A/B and 8594E FSP**

Command	Supported subset	Function	Corresponding HP-Models	Status
RQS	RQS	Service Request Bit mask	HP 856xE / HP 8566B / HP 8568B / HP 8594E	available
S1	S1	Continuous Sweep	HP 8566A/ HP 8568A	available
S2	S2	Single Sweep	HP 8566A/ HP 8568A	available
SAVES	SAVES <numeric_value>	Save State Register	HP 856xE / HP 8566B / HP 8568B / HP 8594E	available
SAVET	SAVET TRA TRB,<number>	Save Trace	HP856xE / HP8594E	available in V3.3x and above
SMOOTH	SMOOTH TRA TRB TRC, <number of points>	Smooth Trace	HP 856xE / HP 8566B / HP 8568B / HP 8594E	available in V3.4x and above
SNGLS	SNGLS	Single Sweep	HP 856xE / HP 8566B / HP 8568B / HP 8594E	available
SQUELCH <sup>2)</sup>	SQUELCH <numeric_value> DM   DB SQUELCH UP DN SQUELCH ON OFF	Squelch	HP 856xE / HP 8566B / HP 8568B / HP 8594E	available in V3.3x and above
SP	SP <numeric_value> HZ KHZ  MHZ GHZ  SP DN SP UP SP?	Span	HP 8566A/ HP 8568A/ HP 856xE / HP 8566B / HP 8568B / HP 8594E	available
SRCNORM <sup>1)</sup>	SRCNORM ON OFF SRCNORM 1 0	Source Normalization	HP 856xE / HP 8566B / HP 8568B / HP 8594E	available
SRCPOFS <sup>1)</sup>	SRCPOFS <numeric_value> DB   DM SRCPOFS DN SRCPOFS UP SRCPOFS?	Source Power Offset	HP 856xE / HP 8566B / HP 8568B / HP 8594E	available
SRCPWR <sup>1)</sup>	SRCPWR <numeric_value> DB   DM SRCPWR DN SRCPWR UP SRCPWR ON SRCPWR OFF SRCPWR?	Source Power	HP 856xE / HP 8566B / HP 8568B / HP 8594E	available
SS	SS <numeric_value> HZ KHZ MHZ GHZ SS DN SS UP SS AUTO SS?	CF Step Size	HP 8566A/ HP 8568A/ HP 856xE / HP 8566B / HP 8568B / HP 8594E	available
ST	ST <numeric_value> US MS SC ST DN ST UP ST AUTO ST?	Sweep Time	HP 8566A/ HP 8568A/ HP 856xE / HP 8566B / HP 8568B /	available

**FSP IEC/IEEE-Bus Commands of HP Models 856xE, 8566A/B, 8568A/B and 8594E**

Command	Supported subset	Function	Corresponding HP-Models	Status
			HP 8594E	
STB	STB	Status byte query	HP 856xE / HP 8566B / HP 8568B / HP 8594E	available
STOREOPEN	STOREOPEN	Store Open	HP 856xE / HP 8594E	available in V3.3x and above
STORESHORT	STORESHORT	Store Short	HP 856xE / HP 8594E	available in V3.3x and above
STORETHRU	STORETHRU	Store Thru	HP 856xE / HP 8594E	available in V3.3x and above
SV1...6	SV1...6	Save State	HP 8566A/ HP 8568A	available
SWPCPL <sup>2)</sup>	SWPCPL SA   SR SWPCPL?	Sweep Couple	HP 856xE / HP 8566B / HP 8568B / HP 8594E	available in V3.3x and above
SWPOUT <sup>2)</sup>	SWPOUT FAV FAVA RAMP SWPOUT?	Sweep Output	HP 856xE / HP 8566B / HP 8568B / HP 8594E	available in V3.2x and above
T0	T0	Threshold off	HP 8566A/ HP 8568A	available
T1	T1	Free Run Trigger	HP 8566A/ HP 8568A	available
T2 <sup>2)</sup>	T2	Line Trigger	HP 8566A/ HP 8568A	available
T3	T3	External Trigger	HP 8566A/ HP 8568A	available
T4	T4	Video Trigger	HP 8566A/ HP 8568A	available
TA	TA	Transfer A	HP 8566A/ HP 8568A	available
TB	TB	Transfer B	HP 8566A/ HP 8568A	available
TDF	TDF P TDF?	Trace Data Format	HP 856xE / HP 8566B / HP 8568B / HP 8594E	available
TH	TH <numeric_value> DB DM TH DN TH UP TH ON TH OFF TH AUTO TH?	Threshold	HP 856xE / HP 8566B / HP 8568B / HP 8594E	available
THE	THE ON  OFF	Threshold Line enable	HP 856xE / HP 8566B / HP 8568B / HP 8594E	available in V3.3x and above
TIMEDSP <sup>1)</sup>	TIMEDSP ON OFF TIMEDSP 1 0 TIMEDSP?	Time Display	HP 856xE / HP 8566B / HP 8568B / HP 8594E	available
TM	TM FREE VID EXT LINE <sup>2)</sup>	Trigger Mode	HP 856xE / HP 8566B /	available

Command	Supported subset	Function	Corresponding HP-Models	Status
	TM?		HP 8568B / HP 8594E	
TRA	TRA?	Transfer A	HP 856xE / HP 8566B / HP 8568B / HP 8594E	available
TRB	TRB?	Transfer B	HP 856xE / HP 8566B / HP 8568B / HP 8594E	available
TRSTAT	TRSTAT?	Trace State Query	HP 856xE / HP 8566B / HP 8568B / HP 8594E	available in V3.3x and above
TS	TS	Take Sweep	HP 856xE / HP 8566B / HP 8568B / HP 8594E	available
UR <sup>2)</sup>	UR	Plot Command	HP 8566A/ HP 8568A	available in V3.2x and above
VAVG	VAVG VAVG TRA TRB TRC	Video Averaging	HP 856xE / HP 8566B / HP 8568B / HP 8594E	available
VB	VB <numeric_value> HZ KHZ MHZ GHZ VB DN VB UP VB AUTO VB?	Video Bandwidth	HP 856xE / HP 8566B / HP 8568B / HP 8594E	available
VBR <sup>1)</sup>	VBR <numeric_value> VBR DN VBR UP VBR?	Video Bandwidth Ratio	HP 856xE / HP 8566B / HP 8568B / HP 8594E	available
VIEW	VIEW TRA TRB TRC		HP 856xE / HP 8566B / HP 8568B / HP 8594E	available
VTL	VTL <numeric_value> DB DM VTL DN VTL UP VTL?	Video Trigger Level	HP 856xE / HP 8594E	available in V3.3x and above

<sup>1)</sup> HP 8594E only

<sup>2)</sup> Command will be accepted without error message, but will be ignored



## Special Features of the Syntax Parsing Algorithms for 8566A and 8568A Models

The command syntax is very different for models A and B. Different names are assigned to identical instrument functions, and the command structure likewise differs considerably between models A and models B.

The command structure for models A is as follows:

```
<command> ::=
<command code> [<SPC>] [<data> | <step>] [<SPC>] [<delimiter>] [<command code>] ... <delimiter>
```

```
<data> ::=          <value> [<SPC>] [<units code>] [<SPC>] [<delimiter>] [<SPC>] [<data>] ...
<step> ::=          UP|DN
```

where

```
<command code> = see Table "Supported Commands"
<value> =       integer or floating-point numerical value
<units code> =  DM | -DM | DB | HZ | KZ | MZ | GZ | MV | UV | SC | MS | US
<delimiter> =   <CR> | <LF> | <,> | <;> | <ETX>
<SPC> =         3210
<ETX> =         310
```

Command sections given in [ ] are optional.

The FSP IEC/IEEE-bus hardware differs from that used in the HP analyzers. Therefore, the following constraint exists:

<LF>| <EOI> are still used as delimiters since the IEC/IEEE-bus hardware is able to identify them. The other delimiters are identified and evaluated during syntax analysis.

## Special Behaviour of Commands

Command	Known Differences
ABORT	Does not automatically set the command complete bit (bit 4) in the status byte. An additional DONE is required for that purpose.
ANNOT	Only frequency axis annotation is affected.
AT	AT DN/UP: Step size
CAL	The CAL commands do not automatically set the command complete bit (bit 4) in the status byte. An additional DONE command is required for that purpose.
CF	Default value, range, step size
CR	Default ratio Span / RBW
CT	Formula for coupled sweeptime
CV	Default ratio RBW / VBW
DEMODO	on FSP: requires option FSP-B3
DET	DET? returns SAMP instead of SMP on the FSP. DET not automatically set the command complete bit (bit 4) in the status byte. An additional DONE is required for that purpose.
ERR?	Deletes the error bit in the status register but always returns a '0' in response.
FA	Default value, range, step size
FB	Default value, range, step size
ID	Query of instrument type. The instrument type entered with <i>SETUP - GENERAL SETUP - GPIB - ID STRING USER</i> will be returned.
M2	Default value, range, step size

Command	Known Differences
M3	Default value, range, step size
MKACT	Only marker 1 is supported as the active marker.
MKBW	Default value
MKPT	Step size
MKPX	Step size
NRL	Requires option FSP-B9 oder FSP-B10
OL?	Storage of instrument settings: 80 characters are returned as information on the instrument settings.  The contents of the 80 characters returned does not correspond to the original data contents of the 8566A / 8568A family.
OL	Readout of instrument settings: The 80 characters read by means of OL? are accepted as information on the corresponding instrument settings.  The contents of the 80 characters read does not correspond to the original data contents of the 8566A / 8568A family.
RB	Default value, range, step size
RL	Default value, step size
RLPOS	Adapts the position of the reference level even if the tracking generator normalization is not active.
RQS	Supported bits: 1 (Units key pressed) 2 (End of Sweep) 3 (Device error) 4 (Command complete) 5 (Illegal command)
SRCNORM	Requires option FSP-B9 oder FSP-B10
SRCPWR	Requires option FSP-B9 oder FSP-B10
SP	Default value, range, step size
SS	Default value, range, step size
ST	Default value, range, step size
STB	The status bits are mapped as described with command RQS.  <i>Note:</i> <i>Bit 2 and 4 are always set in parallel if "Command Complete" or "End of Sweep" are recognized. The FSP cannot distinguish between these conditions. Additionally these bits are not suitable for synchronization on the end of sweep in continuous sweep operation.</i>
TA	Output of 1001 trace points of trace A in O1 or O3 format.
TB	Output of 1001 trace points of trace B in O1 or O3 format.
TH	Default value
VB	Range
VBR	Default value

TH

## Model-Dependent Default Settings

When the IEC/IEEE-bus language is switched over to an 85xx model, the IEC/IEEE-bus address will automatically be switched over to 18 provided that the default address of the FSP (20) is still set. If a different value is set, this value will be maintained. Upon return to SCPI, this address will remain unchanged.

## **FSP IEC/IEEE-Bus Commands of HP Models 856xE, 8566A/B, 8568A/B and 8594E**

The following table shows the default settings obtained after a change of the IEC/IEEE-bus language and for the commands IP, KST and RESET:

<b>Model</b>	<b># of Trace Points</b>	<b>Start Freq.</b>	<b>Stop Freq.</b>	<b>Ref Level</b>	<b>Input Coupling</b>
8566A/B	1001	2 GHz	22 GHz	0 dBm	DC (FSU) AC (FSP)
8568A/B	1001	0 Hz	1.5 GHz	0 dBm	AC
8560E	601	0 Hz	2.9 GHz	0 dBm	AC
8561E	601	0 Hz	6.5 GHz	0 dBm	AC
8562E	601	0 Hz	13.2 GHz	0 dBm	AC
8563E	601	0 Hz	26.5 GHz	0 dBm	AC
8564E	601	0 Hz	40 GHz	0 dBm	AC
8565E	601	0 Hz	50 GHz	0 dBm	AC
8594E	401	0 Hz	3 GHz	0 dBm	AC

**Notes regarding the set stop frequency:**

*The stop frequency given in the table may be limited to the corresponding frequency range of the FSP. Command LF sets the stop frequency for 8566A/B to a maximum value of 2 GHz.*

**Note regarding the number of test points (trace points):**

*The # of trace points is switched over only upon transition to the REMOTE state.*

## Data Output Formats

In the case of the SCPI and IEEE488.2 standards, the output formats for numerical data are flexible to a large extent. The output format for the HP units, by contrast, is accurately defined with respect to the number of digits. The memory areas for reading instrument data have therefore been adapted accordingly in the remote-control programs for instruments of this series.

Therefore, in response to a query, the FSP returns data of the same structure as that used by the original instruments; this applies in particular to the number of characters returned.

Two formats are currently supported when trace data is output: Display Units (command O1) and physical values (command O2, O3 or TDF P). As to the "Display Units" format, the level data of the FSP is converted to match the value range and the resolution of the 8566/8568 series. Upon transition to the *REMOTE* state, the FSP is reconfigured such that the number of test points (trace points) corresponds to that of the 85xx families (1001 for 8566A/B and 8568A/B, 601 for 8560E to 8565E, 401 for 8594E).

## IEC/IEEE-Bus Status Reporting

The assignment of status bits by commands R1, R2, R3, R4, RQS is supported starting at firmware version 1.80. The STB command and the serial poll respond with an 8-bit value having the following assignment:

The return value of a serial poll is to use the STB command in order to identify the reason for the service request. The bits returned by the STB command are mapped in the same way as for the RQS command.

Bit enabled by RQS
1 (Units key pressed)
2 (End of Sweep)
3 (Device Error)
4 (Command Complete)
5 (Illegal Command)
6 (Service Request)

Bits 0 and 7 are not used and always have the value 0.

It should be noted that the FSP will report any key pressed on the front panel (if bit 1 was enabled) rather than only the unit keys.

Additionally there is a difference in the handling of bit 6. This bit reflects the status of the SRQ line of the GPIB bus on the HP 8590 analyzers. With the FSP this is not possible. Therefore this bit will be set as soon as any of the bits 1 to 5 is set, but it will not be cleared on a serial poll.

## Differences in GPIB behavior between the FSP and the FSE families of instruments

The following list of commands contains the differences in syntax and behavior between the GPIB command set of the FSP and the FSE families of instruments. Firmware options like FS-K5 or FSE-K10 are not described in this operating manual as the related commands are not available in the basic instrument. FSE alone in column "Devices" denotes the instrument families FSE, FSIQ, FSET and ESIB, unless otherwise noted in column "Notes".

Devices	Command	Parameter	Notes
FSP + FSE	*CAL?		FSP: executes total calibration FSE: executes short calibration
FSP + FSE	*CLS		
FSP + FSE	*ESE		
FSP + FSE	*ESR?		
FSP + FSE	*IDN?		model indicator and version index is different for FSP and FSE
FSP + FSE	*IST?		
FSP + FSE	*OPC?		
FSP + FSE	*OPT?		list of available options is slightly different for FSP and FSE, but equally available options have equal names
FSP + FSE	*PCB		
FSP + FSE	*PRE		
FSP + FSE	*PSC		
FSP + FSE	*RST		instrument settings are slightly different for FSP and FSE due to different instrument specs
FSP + FSE	*SRE		
FSP + FSE	*STB?		
FSP + FSE	*TRG		FSP starts measurement in active screen FSE: starts measurement in both screens (split screen mode)
FSP + FSE	*TST?		
FSP + FSE	*WAI		
FSP + FSE	ABORt		
FSP	CALCulate:STATistics:APD[:STATe]	ON   OFF	new function for FSP
FSP	CALCulate:STATistics:CCDF[:STATe]	ON   OFF	new function for FSP
FSP	CALCulate:STATistics:NSAMples	100 to 1E9	new function for FSP
FSP	CALCulate:STATistics:PRESet		new function for FSP
FSP	CALCulate:STATistics:Result<1...3>?	MEAN PEAK CFACtor  ALL	new function for FSP
FSP	CALCulate:STATistics:SCALe:AUTO	ONCE	new function for FSP
FSP	CALCulate:STATistics:X:RANGe	-10dB to 200dB	new function for FSP
FSP	CALCulate:STATistics:X:RLEVel	-130dBm to 30dBm	new function for FSP
FSP	CALCulate:STATistics:Y:LOWer	-1E-9 to 0.1	new function for FSP
FSP	CALCulate:STATistics:Y:UPPer	-1E-8 to 1.0	new function for FSP
FSE	CALCulate<1 2>:CTHReshold	MIN to MAX	not available in FSP
FSE	CALCulate<1 2>:CTHReshold:STATe	ON   OFF	not available in FSP
FSP	CALCulate<1 2>:DELTAmarker<1...4>:AOFF		markers 2...4 are either normal or delta markers; marker 1 always serves as the reference marker for all deltamarkers
FSE	CALCulate<1 2>:DELTAmarker<1...4>:AOFF		there are 4markers and 4 deltamarkers; the most recently used marker serves as the reference marker for all deltamarkers

Devices	Command	Parameter	Notes
FSP + FSE	CALCulate<1 2>:DELTamarker<1...4>:FUNctioN:FIXed:RPOint:X	<numeric_value>	FSP: marker 1 can be moved independently from the reference point FSE: the marker and the reference point are linked to each other
FSP + FSE	CALCulate<1 2>:DELTamarker<1...4>:FUNctioN:FIXed:RPOint:Y	<numeric_value>	FSP: marker 1 can be moved independently from the reference point; FSE: the marker and the reference point are linked to each other
FSP + FSE	CALCulate<1 2>:DELTamarker<1...4>:FUNctioN:FIXed:RPOint:Y:OFFSet	<numeric_value>	
FSP	CALCulate<1 2>:DELTamarker<1...4>:FUNctioN:FIXed:RPOint:MAX:PEAK		new function for FSP
FSP + FSE	CALCulate<1 2>:DELTamarker<1...4>:FUNctioN:FIXed[:STATe]	ON   OFF	
FSP + FSE	CALCulate<1 2>:DELTamarker<1...4>:FUNctioN:PNOise:RESult?		
FSP + FSE	CALCulate<1 2>:DELTamarker<1...4>:FUNctioN:PNOise[:STATe]	ON   OFF	
FSE	CALCulate<1 2>:DELTamarker<1...4>:MAXimum:APEak		not available for FSP
FSP + FSE	CALCulate<1 2>:DELTamarker<1...4>:MAXimum:LEFT		
FSP + FSE	CALCulate<1 2>:DELTamarker<1...4>:MAXimum:NEXT		
FSP + FSE	CALCulate<1 2>:DELTamarker<1...4>:MAXimum:RIGHT		
FSP + FSE	CALCulate<1 2>:DELTamarker<1...4>:MAXimum[:PEAK]		
FSP + FSE	CALCulate<1 2>:DELTamarker<1...4>:MINimum:LEFT		
FSP + FSE	CALCulate<1 2>:DELTamarker<1...4>:MINimum:NEXT		
FSP + FSE	CALCulate<1 2>:DELTamarker<1...4>:MINimum:RIGHT		
FSP + FSE	CALCulate<1 2>:DELTamarker<1...4>:MINimum[:PEAK]		
FSP + FSE	CALCulate<1 2>:DELTamarker<1...4>:MODE	ABSolute   RELative	
FSE	CALCulate<1 2>:DELTamarker<1...4>:STEP:AUTO	ON   OFF	not available for FSP
FSE	CALCulate<1 2>:DELTamarker<1...4>:STEP[:INCRement]	<numeric_value>	not available for FSP
FSP + FSE	CALCulate<1 2>:DELTamarker<1...4>:TRACe	1 to 3	FSP: 3 traces are available per screen; FSE: 4 traces are available in full screen mode and 2 traces per screen in split screen mode
FSP + FSE	CALCulate<1 2>:DELTamarker<1...4>:X	0 to MAX (frequency   sweep time)	unit 'SYM' is not available for FSP
FSP + FSE	CALCulate<1 2>:DELTamarker<1...4>:X:RELative		
FSP + FSE	CALCulate<1 2>:DELTamarker<1...4>:Y?		
FSP + FSE	CALCulate<1 2>:DELTamarker<1...4>[:STATe]	ON   OFF	
FSP + FSE	CALCulate<1 2>:DLINe<1 2>	MIN to MAX	
FSP + FSE	CALCulate<1 2>:DLINe<1 2>:STATe	ON   OFF	
FSE	CALCulate<1 2>:FEED	'XTIM:DDEM:MEAS'   'XTIM:DDEM:REF'   'XTIM:DDEM:ERR:MPH'   'XTIM:DDEM:ERR:VECT'   'XTIM:DDEM:SYMB'   'XTIM:AM'   'XTIM:FM'   'XTIM:PM'   'XTIM:AMSummary'   'XTIM:FMSummary'   'XTIM:PMSummary'   'TCAP'	not available for FSP
FSET	CALCulate<1 2>:FEED	'XTIM:DDEM:MEAS'   'XTIM:DDEM:REF'   'XTIM:DDEM:ERR:MPH'   'XTIM:DDEM:ERR:VECT'   'XTIM:DDEM:SYMB'   'TCAP'	not available for FSP
FSP + FSE	CALCulate<1 2>:FLINe<1 2>	0 to fmax	
FSP + FSE	CALCulate<1 2>:FLINe<1 2>:STATe	ON   OFF	
FSE	CALCulate<1 2>:FORMat	MAGNitude   PHASe   UPHase   RIMag   FREQUency   IEYE   QEYE   TEYE   FEYE   COMP   CONS	not available for FSP
FSE	CALCulate<1 2>:FSK:DEVIation:REFerence	<numeric value>	not available for FSP

Devices	Command	Parameter	Notes
FSE	CALCulate<1 2>:LIMit<1...8>:ACPowEr:ACHannel	0 to 100 DB, 0 to 100 DB	compatible to CALCulate<1 2>:LIMit<1...8>: ACPowEr:ACHannel [:RELative] of FSP not available for FSET
FSP	CALCulate<1 2>:LIMit<1...8>:ACPowEr:ACHannel:ABSolute	-200 to 200 DBM, -200 to 200 DBM	new function for FSP
FSP	CALCulate<1 2>:LIMit<1...8>:ACPowEr:ACHannel:ABSolute:STATe	ON   OFF	new function for FSP
FSP + FSE	CALCulate<1 2>:LIMit<1...8>:ACPowEr:ACHannel:RESult?		
FSE	CALCulate<1 2>:LIMit<1...8>:ACPowEr:ACHannel:STATe	ON   OFF	compatible to CALCulate<1 2>:LIMit<1...8>: ACPowEr:ACHannel[:RELativ e]:STATe of FSP not available for FSET
FSP	CALCulate<1 2>:LIMit<1...8>:ACPowEr:ACHannel[:RELative]	0 to 100 DB, 0 to 100 DB	compatible to CALCulate<1 2>:LIMit<1...8>: ACPowEr:ACHannel of FSE
FSP	CALCulate<1 2>:LIMit<1...8>:ACPowEr:ACHannel[:RELative]:STATe	ON   OFF	compatible to CALCulate<1 2>:LIMit<1...8>: ACPowEr:ACHannel:STATe of FSE
FSE	CALCulate<1 2>:LIMit<1...8>:ACPowEr:ALTernate<1 2>	0 to 100 DB, 0 to 100 DB	compatible to CALCulate<1 2>:LIMit<1...8>: ACPowEr:ALTernate<1 2> [:RELative] of FSP not available for FSET
FSP	CALCulate<1 2>:LIMit<1...8>:ACPowEr:ALTernate<1 2>:ABSolute	-200 to 200 DBM, -200 to 200 DBM	new function for FSP
FSP	CALCulate<1 2>:LIMit<1...8>:ACPowEr:ALTernate<1 2>:ABSolute:STATe	ON   OFF	new function for FSP
FSP + FSE	CALCulate<1 2>:LIMit<1...8>:ACPowEr:ALTernate<1 2>:RESult?		
FSE	CALCulate<1 2>:LIMit<1...8>:ACPowEr:ALTernate<1 2>:STATe	ON   OFF	compatible to CALCulate<1 2>:LIMit<1...8>: ACPowEr:ALTernate<1 2> [:RELative]:STATe of FSP not available for FSET
FSP	CALCulate<1 2>:LIMit<1...8>:ACPowEr:ALTernate<1 2>[:RELative]	0 to 100 DB, 0 to 100 DB	compatible to CALCulate<1 2>:LIMit<1...8>: ACPowEr:ALTernate<1 2> of FSE
FSP	CALCulate<1 2>:LIMit<1...8>:ACPowEr:ALTernate<1 2>	ON   OFF	compatible to CALCulate<1 2>:LIMit<1...8>: ACPowEr:ALTernate<1 2>: STATe of FSE
FSP + FSE	CALCulate<1 2>:LIMit<1...8>:ACPowEr[:STATe]	ON   OFF	
FSE	CALCulate<1 2>:LIMit<1...8>:BURSt:POWEr?		not available for FSP, FSET and ESI
FSE	CALCulate<1 2>:LIMit<1...8>:BURSt:PTEmplate?		not available for FSP, FSET and ESI
FSE	CALCulate:LIMit:CATalog?		not available in FSP
FSP + FSE	CALCulate<1 2>:LIMit<1...8>:CLEar[:IMMediate]		
FSP + FSE	CALCulate<1 2>:LIMit<1...8>:COMMeNt	<string>	
FSP + FSE	CALCulate<1 2>:LIMit<1...8>:CONTRol:DOMain	FREQUency   TIME	
FSP + FSE	CALCulate<1 2>:LIMit<1...8>:CONTRol:MODE	RELative   ABSolute	
FSP + FSE	CALCulate<1 2>:LIMit<1...8>:CONTRol:OFFset	<numeric value>	
FSP + FSE	CALCulate<1 2>:LIMit<1...8>:CONTRol:SHIFt	<numeric_value>	
FSP + FSE	CALCulate<1 2>:LIMit<1...8>:CONTRol:SPACing	LINear   LOGarithmic	
FSE	CALCulate<1 2>:LIMit<1...8>:CONTRol:UNIT[:TIME]	S   SYM	not available for FSP
FSP + FSE	CALCulate<1 2>:LIMit<1...8>:CONTRol[:DATA]	<numeric value>, <numeric value>	
FSP + FSE	CALCulate<1 2>:LIMit<1...8>:COPY	1 to 8 <name>	
FSP + FSE	CALCulate<1 2>:LIMit<1...8>:DELeTe		
FSP + FSE	CALCulate<1 2>:LIMit<1...8>:FAIL?		
FSP + FSE	CALCulate<1 2>:LIMit<1...8>:LOWer:MARGin	<numeric value>	
FSP + FSE	CALCulate<1 2>:LIMit<1...8>:LOWer:MODE	RELative   ABSolute	
FSP + FSE	CALCulate<1 2>:LIMit<1...8>:LOWer:OFFset	<numeric value>	
FSP + FSE	CALCulate<1 2>:LIMit<1...8>:LOWer:SHIFt	<numeric_value>	
FSP + FSE	CALCulate<1 2>:LIMit<1...8>:LOWer:SPACing	LINear   LOGarithmic	
FSP + FSE	CALCulate<1 2>:LIMit<1...8>:LOWer:STATe	ON   OFF	

Devices	Command	Parameter	Notes
FSP	CALCulate<1 2>:LIMit<1...8>:LOWer:THReshold	<numeric value>	new function for FSP
FSP + FSE	CALCulate<1 2>:LIMit<1...8>:LOWer[:DATA]	<numeric value>	
FSE	CALCulate<1 2>:LIMit<1...8>:MARGin	0 to 100DB	not available for FSP, FSET and ESI
FSP + FSE	CALCulate<1 2>:LIMit<1...8>:NAME	1 to 8 <string>	
FSE	CALCulate<1 2>:LIMit<1...8>:SPECtrum:MODulation:EXCeptions?	ARFCn   TXBand   RXBand  COMBined   DCSRx1800	not available for FSP, FSET and ESI
FSE	CALCulate<1 2>:LIMit<1...8>:SPECtrum:MODulation:FAILs?	ARFCn   TXBand   RXBand  COMBined   DCSRx1800	not available for FSP, FSET and ESI
FSE	CALCulate<1 2>:LIMit<1...8>:SPECtrum:MODulation?	ARFCn   TXBand   RXBand  COMBined   DCSRx1800	not available for FSP, FSET and ESI
FSE	CALCulate<1 2>:LIMit<1...8>:SPECtrum:SWITching:FAILs?		not available for FSP, FSET and ESI
FSE	CALCulate<1 2>:LIMit<1...8>:SPECtrum:SWITching?		not available for FSP, FSET and ESI
FSE	CALCulate<1 2>:LIMit<1...8>:SPURious:FAILs?	TXBand   OTXBand  RXBand   IDLeband	not available for FSP, FSET and ESI
FSE	CALCulate<1 2>:LIMit<1...8>:SPURious?	TXBand   OTXBand  RXBand   IDLeband	not available for FSP, FSET and ESI
FSP + FSE	CALCulate<1 2>:LIMit<1...8>:STATe	ON   OFF	
FSP + FSE	CALCulate<1 2>:LIMit<1...8>:TRACe	1 to 3	FSP: 3 traces are available per screen FSE: 4 traces are available in full screen mode and 2 traces per screen in split screen mode
FSP	CALCulate<1 2>:LIMit<1...8>:UNIT	DBM   DBPW   WATT   DBUV   DBMV   VOLT   DBUA   AMPere   DB   DBUV_M   DBUA_M   DEG   RAD   S   HZ   PCT   UNITLESS	Available units are compatible to the FSE
FSE/ FSIQ	CALCulate<1 2>:LIMit<1...8>:UNIT	DBM   DBPW   WATT   DBUV   DBMV   VOLT   DBUA   AMPere   DB   DBUV_MHZ   DBMV_MHZ   DBUA_MHZ   DBUV_M   DBUA_M   DBUV_MHZ   DBUA_MHZ   DEG   RAD   S   HZ   PCT   UNITLESS	only the following units are available for the FSP:DBM   DBPW   WATT   DBUV   DBMV   VOLT   DBUA   AMPere   DB   DBUV_M   DBUA_M   DEG   RAD   S   HZ   PCT   UNITLESS
FSET/ ESI	CALCulate<1 2>:LIMit<1...8>:UNIT	DBM   DBPW   WATT   DBUV   DBMV   VOLT   DBUA   AMPere   DB   DBUV_MHZ   DBMV_MHZ   DBUA_MHZ   DBUV_M   DBUA_M   DBUV_MHZ   DBUA_MHZ   DEG   RAD   S   HZ   PCT   UNITLESS	only the following units are available for the FSP:DBM   DBPW   WATT   DBUV   DBMV   VOLT   DBUA   AMPere   DB   DBUV_M   DBUA_M   DEG   RAD   S   HZ   PCT   UNITLESS
FSP + FSE	CALCulate<1 2>:LIMit<1...8>:UPPer:MARGin	<numeric value>	
FSP + FSE	CALCulate<1 2>:LIMit<1...8>:UPPer:MODE	RELative   ABSolute	
FSP + FSE	CALCulate<1 2>:LIMit<1...8>:UPPer:OFFset	<numeric value>	
FSP + FSE	CALCulate<1 2>:LIMit<1...8>:UPPer:SHIFt	<numeric_value>	
FSP + FSE	CALCulate<1 2>:LIMit<1...8>:UPPer:SPACing	LINear   LOGarithmic	
FSP + FSE	CALCulate<1 2>:LIMit<1...8>:UPPer:STATe	ON   OFF	
FSP	CALCulate<1 2>:LIMit<1...8>:UPPer:THReshold	<numeric value>	new function for FSP
FSP + FSE	CALCulate<1 2>:LIMit<1...8>:UPPer[:DATA]	<numeric value>	
FSP + FSE	CALCulate<1 2>:MARKer<1...4>:AOFF		
FSP + FSE	CALCulate<1 2>:MARKer<1...4>:COUNt	ON   OFF	
FSP + FSE	CALCulate<1 2>:MARKer<1...4>:COUNt:FREQuency?		
FSP + FSE	CALCulate<1 2>:MARKer<1...4>:COUNt:RESolution	0.1   1   10   100   1000   10000 Hz	
FSE	CALCulate<1 2>:MARKer<1...4>:COUPled[STATe]	ON   OFF	not available for FSP
FSE	CALCulate<1 2>:MARKer<1...4>:FUNction:ADEMod		not available for FSP and FSET
FSE	CALCulate<1 2>:MARKer<1...4>:FUNction:ADEMod:AM[:RESult]?	PPEak   MPEak   MIDDLE   RMS	not available for FSP and FSET
FSE	CALCulate<1 2>:MARKer<1...4>:FUNction:ADEMod:CARRier		not available for FSP and FSET



Devices	Command	Parameter	Notes
FSE	CALCulate<1 2>:MARKer<1...4>:FUNctIon:ADEMod:FERRor		not available for FSP and FSET
FSE	CALCulate<1 2>:MARKer<1...4>:FUNctIon:ADEMod:FM	PPEak   MPEak   MIDDLE   RMS   RDEV	not available for FSP and FSET
FSE	CALCulate<1 2>:MARKer<1...4>:FUNctIon:ADEMod:PM	PPEak   MPEak   MIDDLE   RMS	not available for FSP and FSET
FSE	CALCulate<1 2>:MARKer<1...4>:FUNctIon:ADEMod:SINad:RESult?		not available for FSP and FSET
FSE	CALCulate<1 2>:MARKer<1...4>:FUNctIon:ADEMod:SINad	ON   OFF	not available for FSP and FSET
FSP + FSE	CALCulate<1 2>:MARKer<1...4>:FUNctIon:CENTer		
FSP + FSE	CALCulate<1 2>:MARKer<1...4>:FUNctIon:CSTep		
FSE	CALCulate<1 2>:MARKer<1...4>:FUNctIon:DDEMod:RESult?	MERM   MEPK   MEPS   PERM PEK   PEPS   EVRM   EVPK   EVPS IQOF   IQIM  ADR   FERR   FEPK   RHO   DEV   FSRM   FSPK   FSPS   DTTS	not available for FSP
FSP	CALCulate<1 2>:MARKer<1...4>:FUNctIon:DEModulation:CONTInuous		new function for FSP
FSP + FSE	CALCulate<1 2>:MARKer<1...4>:FUNctIon:DEModulation:HOLDoff	10ms to 1000s	
FSP + FSE	CALCulate<1 2>:MARKer<1...4>:FUNctIon:DEModulation:SElect	AM   FM	
FSP + FSE	CALCulate<1 2>:MARKer<1...4>:FUNctIon:DEModulation[:STATe]	ON   OFF	
FSP	CALCulate<1 2>:MARKer<1...4>:FUNctIon:FPEaks[:IMMediate]	<numeric value>	new function for FSP
FSP	CALCulate<1 2>:MARKer<1...4>:FUNctIon:FPEaks:COUNt?		new function for FSP
FSP	CALCulate<1 2>:MARKer<1...4>:FUNctIon:FPEaks:X?		new function for FSP
FSP	CALCulate<1 2>:MARKer<1...4>:FUNctIon:FPEaks:Y?		new function for FSP
FSP	CALCulate<1 2>:MARKer<1...4>:FUNctIon:FPEaks:SORT	X   Y	new function for FSP
FSP	CALCulate<1 2>:MARKer<1...4>:FUNctIon:MDEPth:RESult?		new function for FSP
FSP	CALCulate<1 2>:MARKer<1...4>:FUNctIon:MDEPth[:STATe]		new function for FSP
FSP	CALCulate<1 2>:MARKer<1...4>:FUNctIon:MSUMmary?	<numeric value>, <numeric value>, <numeric value>, <numeric value>	new function for FSP
FSE	CALCulate<1 2>:MARKer<1...4>:FUNctIon:MSTep		not available for FSP
FSP + FSE	CALCulate<1 2>:MARKer<1...4>:FUNctIon:NDBDown	<numeric value>	
FSP + FSE	CALCulate<1 2>:MARKer<1...4>:FUNctIon:NDBDown:FREQuency?		
FSP + FSE	CALCulate<1 2>:MARKer<1...4>:FUNctIon:NDBDown:RESult?		
FSP + FSE	CALCulate<1 2>:MARKer<1...4>:FUNctIon:NDBDown:STATe	ON   OFF	
FSP + FSE	CALCulate<1 2>:MARKer<1...4>:FUNctIon:NOISe:RESult?		
FSP + FSE	CALCulate<1 2>:MARKer<1...4>:FUNctIon:NOISe:STATe	ON   OFF	
FSE	CALCulate<1 2>:MARKer<1...4>:FUNctIon:POWer:CFILter	ON   OFF	not available for FSP
FSP + FSE	CALCulate<1 2>:MARKer<1...4>:FUNctIon:POWer:PRESet	NADC   TETRA   PDC   PHS   CDPD   FWCDma   RWCDma   F8CDma   R8CDma   F19Cdma   R19Cdma   FW3Gppcdma   RW3Gppcdma   D2CDma   S2CDma   M2CDma   NONE	available standards are compatible to the FSE
FSP	CALCulate<1 2>:MARKer<1...4>:FUNctIon:POWer:RESult:PHZ	ON   OFF	new function for FSP
FSP + FSE	CALCulate<1 2>:MARKer<1...4>:FUNctIon:POWer:RESult?	ACPower   CPOWer   OBANdwidth   OBWidth   MCACpower	MCACpower is not available on the FSE MCACpower, ACPower and CPOWer are not available on the FSET
FSP + FSE	CALCulate<1 2>:MARKer<1...4>:FUNctIon:POWer:SElect?	ACPower   CPOWer   OBANdwidth   OBWidth   CN   CN0   MCACpower	MCACpower is not available on the FSE MCACpower, ACPower and CPOWer are not available on the FSET
FSP + FSE	CALCulate<1 2>:MARKer<1...4>:FUNctIon:POWer[:STATe]	OFF	
FSP + FSE	CALCulate<1 2>:MARKer<1...4>:FUNctIon:REFErence		
FSE	CALCulate<1 2>:MARKer<1...4>:FUNctIon:SFACTor	(60dB/3dB)   (60dB/6dB)	not available for FSP
FSE	CALCulate<1 2>:MARKer<1...4>:FUNctIon:SFACTor:FREQuency?		not available for FSP
FSE	CALCulate<1 2>:MARKer<1...4>:FUNctIon:SFACTor:RESult?		not available for FSP
FSE	CALCulate<1 2>:MARKer<1...4>:FUNctIon:SFACTor:STATe	ON   OFF	not available for FSP
FSE	CALCulate<1 2>:MARKer<1...4>:FUNctIon:STARt		not available for FSP

Devices	Command	Parameter	Notes
FSE	CALCulate<1 2>:MARKer<1...4>:FUNction:STOP		not available for FSP
FSP	CALCulate<1 2>:MARKer<1...4>:FUNction:STRack: BANDwidth BWIDth	10 Hz to MAX(span)	new function for FSP. Replaces DISP:FLINE of the FSE.
FSP	CALCulate<1 2>:MARKer<1...4>:FUNction:STRack:THReshold	-330 to +30 dBm	new function for FSP
FSP	CALCulate<1 2>:MARKer<1...4>:FUNction:STRack:TRACe	1 to 3	new function for FSP
FSP + FSE	CALCulate<1 2>:MARKer<1...4>:FUNction:STRack[:STATe]	ON   OFF	
FSP + FSE	CALCulate<1 2>:MARKer<1...4>:FUNction:SUMMary:AOff		
FSP + FSE	CALCulate<1 2>:MARKer<1...4>:FUNction:SUMMary:AVERage	ON   OFF	
FSE	CALCulate<1 2>:MARKer<1...4>:FUNction:SUMMary:MAXimum: AVERage:RESult?		not available for FSP
FSE	CALCulate<1 2>:MARKer<1...4>:FUNction:SUMMary:MAXimum: PHOLd:RESult?		not available for FSP
FSE	CALCulate<1 2>:MARKer<1...4>:FUNction:SUMMary:MAXimum: RESult?		not available for FSP
FSE	CALCulate<1 2>:MARKer<1...4>:FUNction:SUMMary:MAXimum [:STATe]	ON   OFF	not available for FSP
FSP + FSE	CALCulate<1 2>:MARKer<1...4>:FUNction:SUMMary:MEAN: AVERage:RESult?		
FSP + FSE	CALCulate<1 2>:MARKer<1...4>:FUNction:SUMMary:MEAN:PHOLd:R ESult?		
FSP + FSE	CALCulate<1 2>:MARKer<1...4>:FUNction:SUMMary:MEAN:RESult?		
FSP + FSE	CALCulate<1 2>:MARKer<1...4>:FUNction:SUMMary:MEAN[:STATe]	ON   OFF	
FSE	CALCulate<1 2>:MARKer<1...4>:FUNction:SUMMary:MIDdle: AVERage:RESult?		not available for FSP
FSE	CALCulate<1 2>:MARKer<1...4>:FUNction:SUMMary:MIDdle: PHOLd:RESult?		not available for FSP
FSE	CALCulate<1 2>:MARKer<1...4>:FUNction:SUMMary:MIDdle: RESult?		not available for FSP
FSE	CALCulate<1 2>:MARKer<1...4>:FUNction:SUMMary:MIDdle [:STATe]	ON   OFF	not available for FSP
FSP	CALCulate<1 2>:MARKer<1...4>:FUNction:SUMMary:MODE	ABSolute   RELative	new function for FSP
FSE	CALCulate<1 2>:MARKer<1...4>:FUNction:SUMMary:MPEak: AVERage:RESult?		not available for FSP
FSE	CALCulate<1 2>:MARKer<1...4>:FUNction:SUMMary:MPEak: PHOLd:RESult?		not available for FSP
FSE	CALCulate<1 2>:MARKer<1...4>:FUNction:SUMMary:MPEak: RESult?		not available for FSP
FSE	CALCulate<1 2>:MARKer<1...4>:FUNction:SUMMary:MPEak [:STATe]	ON   OFF	not available for FSP
FSP + FSE	CALCulate<1 2>:MARKer<1...4>:FUNction:SUMMary:PHOLd	ON   OFF	
FSP + FSE	CALCulate<1 2>:MARKer<1...4>:FUNction:SUMMary:PPEak: AVERage:RESult?		
FSP + FSE	CALCulate<1 2>:MARKer<1...4>:FUNction:SUMMary:PPEak:PHOLd:R ESult?		
FSP + FSE	CALCulate<1 2>:MARKer<1...4>:FUNction:SUMMary:PPEak:RESult?		
FSP + FSE	CALCulate<1 2>:MARKer<1...4>:FUNction:SUMMary:PPEak[:STATe]	ON   OFF	
FSP	CALCulate<1 2>:MARKer<1...4>:FUNction:SUMMary:REFerence: AUTO	ONCE	new function for FSP
FSP + FSE	CALCulate<1 2>:MARKer<1...4>:FUNction:SUMMary:RMS:AVERage:R ESult?		
FSP + FSE	CALCulate<1 2>:MARKer<1...4>:FUNction:SUMMary:RMS:PHOLd: RESult?		
FSP + FSE	CALCulate<1 2>:MARKer<1...4>:FUNction:SUMMary:RMS:RESult?		
FSP + FSE	CALCulate<1 2>:MARKer<1...4>:FUNction:SUMMary:RMS[:STATe]	ON   OFF	
FSP	CALCulate<1 2>:MARKer<1...4>:FUNction:SUMMary:SDEViation: RESult?		new function for FSP
FSP	CALCulate<1 2>:MARKer<1...4>:FUNction:SUMMarySDEViation: AVERage:RESult?		new function for FSP
FSP	CALCulate<1 2>:MARKer<1...4>:FUNction:SUMMary:SDEViation: PHOLd:RESult?		new function for FSP
FSP	CALCulate<1 2>:MARKer<1...4>:FUNction:SUMMary:SDEViation [:STATe]	ON   OFF	new function for FSP
FSP + FSE	CALCulate<1 2>:MARKer<1...4>:FUNction:SUMMary[:STATe]	ON   OFF	
FSP	CALCulate<1 2>:MARKer<1...4>:FUNction:TOI:RESult?		new function for FSP
FSP	CALCulate<1 2>:MARKer<1...4>:FUNction:TOI[:STATe]	ON   OFF	new function for FSP
FSP + FSE	CALCulate<1 2>:MARKer<1...4>:FUNction:ZOOM	<numeric value>	FSP: function uses always marker 1 as its reference marker; FSE: all available markers can be used as a reference marker

Devices	Command	Parameter	Notes
FSP + FSE	CALCulate<1 2>:MARKer<1...4>:LOEXclude	ON   OFF	
FSE	CALCulate<1 2>:MARKer<1...4>:MAXimum:APEak		not available for FSP
FSP + FSE	CALCulate<1 2>:MARKer<1...4>:MAXimum:LEFT		
FSP + FSE	CALCulate<1 2>:MARKer<1...4>:MAXimum:NEXT		
FSP + FSE	CALCulate<1 2>:MARKer<1...4>:MAXimum:RIGHT		
FSP + FSE	CALCulate<1 2>:MARKer<1...4>:MAXimum[:PEAK]		
FSP + FSE	CALCulate<1 2>:MARKer<1...4>:MINimum:LEFT		
FSP + FSE	CALCulate<1 2>:MARKer<1...4>:MINimum:NEXT		
FSP + FSE	CALCulate<1 2>:MARKer<1...4>:MINimum:RIGHT		
FSP + FSE	CALCulate<1 2>:MARKer<1...4>:MINimum[:PEAK]		
FSP + FSE	CALCulate<1 2>:MARKer<1...4>:PEXCursion	<numeric value>	
FSE	CALCulate<1 2>:MARKer<1...4>:READout	MPHase   RIMaginary	not available for FSP
FSE	CALCulate<1 2>:MARKer<1...4>:SCOupled[STATe]	ON   OFF	not available for FSP
FSE	CALCulate<1 2>:MARKer<1...4>:STEP:AUTO	ON   OFF	not available for FSP
FSE	CALCulate<1 2>:MARKer<1...4>:STEP[:INCRement]	<numeric_value>	not available for FSP
FSP + FSE	CALCulate<1 2>:MARKer<1...4>:TRACe	1 to 3	FSP: 3 traces are available per screen FSE: 4 traces are available in full screen mode and 2 traces per screen in split screen mode
FSP + FSE	CALCulate<1 2>:MARKer<1...4>:X	0 to MAX (frequency sweep time)	additional unit SYM is available for FSE
FSP	CALCulate<1 2>:MARKer<1...4>:X:SLIMits:LEFT	0 to MAX (frequency sweep time)	new function for FSP. Replaces DISP:FLIN and DISP:TLIN commands of the FSE
FSP	CALCulate<1 2>:MARKer<1...4>:X:SLIMits:RIGHT	0 to MAX (frequency sweep time)	new function for FSP. Replaces DISP:FLIN and DISP:TLIN commands of the FSE
FSP + FSE	CALCulate<1 2>:MARKer<1...4>:X:SLIMits[:STATe]	ON   OFF	
FSP + FSE	CALCulate<1 2>:MARKer<1...4>:Y?		
FSP	CALCulate<1 2>:MARKer<1...4>:Y:PERCent	<numeric_value>	new function for FSP
FSP + FSE	CALCulate<1 2>:MARKer<1...4>[:STATe]	ON   OFF	
FSP	CALCulate<1 2>:MATH:MODE	LINear   LOGarithmic	affects all traces on the FSP; therefore the numeric suffix :MATH<1...4> is not allowed for the FSP
FSE	CALCulate<1 2>:MATH<1...4>:MODE	LINear   LOGarithmic	for FSE, only the trace indicated by a numeric suffix is affected
FSP	CALCulate<1 2>:MATH:POS	-100PCT to 200PCT	new function for FSP; replacement for CALC:RLINe of the FSE
FSP + FSE	CALCulate<1 2>:MATH:STATe	ON   OFF	for FSP, traces can only be subtracted from trace 1; therefore there is no numeric suffix behind :MATH
FSP + FSE	CALCulate<1 2>:MATH[:EXPRession][:DEFine]	<expr>	for FSP, traces can only be subtracted from trace 1; therefore there is no numeric suffix behind :MATH and <expr> may only consist of (TRACE1-TRACE2) or (TRACE1-TRACE3)
FSE	CALCulate<1 2>:RLINe	MIN to MAX	not available for FSP (replaced by CALC:MATH:POS)
FSE	CALCulate<1 2>:RLINe:STATe	ON   OFF	not available for FSP (replaced by CALC:MATH:POS)
FSP + FSE	CALCulate<1 2>:THReshold	MIN to MAX	
FSP + FSE	CALCulate<1 2>:THReshold:STATe	ON   OFF	
FSE	CALCulate<1 2>:TLINe<1 2>	0 to 1000s	not available on the FSP; replaced by CALC:SLIMits:LEFT and CALC:SLIMits:RIGHT

Devices	Command	Parameter	Notes
FSE	CALCulate<1 2>:TLINe<1 2>:STATe	ON   OFF	not available on the FSP; replaced by CALC:SLIMits:LEFT and CALC:SLIMits:RIGHT
FSE	CALCulate<1 2>:UNIT:ANGLE	DEG   RAD	not available for FSP
FSP	CALCulate<1 2>:UNIT:POWer	DBM   V   A   W   DBPW   WATT   DBUV   DBMV   VOLT   DBUA   AMPere	available units are compatible to the FSE
FSET/ ESI	CALCulate<1 2>:UNIT:POWer	DBM   V   W   DB   PCT   UNITLESS   DBPW   WATT   DBUV   DBMV   VOLT   DBUA   AMPere   DBPT   DBUV_MHZ   DBMV_MHZ   DBUA_MHZ   DBUV_M   DBUA_M   DBUV_MMHZ   DBUA_MMHZ	the FSP supports the following units:DBM   V   A   W   DBPW   WATT   DBUV   DBMV   VOLT   DBUA   AMPere
FSE/ FSIQ	CALCulate<1 2>:UNIT:POWer	DBM   V   W   DB   PCT   UNITLESS   DBPW   WATT   DBUV   DBMV   VOLT   DBUA   AMPere   DBUV_MHZ   DBMV_MHZ   DBUA_MHZ   DBUV_M   DBUA_M   DBUV_MMHZ   DBUA_MMHZ	the FSP supports the following units:DBM   V   A   W   DBPW   WATT   DBUV   DBMV   VOLT   DBUA   AMPere
FSE	CALCulate<1 2>:X:UNIT:TIME	S   SYM	not available for FSP
FSP	CALibration:ABORt		new function for FSP
FSE	CALibration:BANDwidth   BWIDth[:RESolution]?		not available for FSP
FSE	CALibration:IQ?		not available for FSP
FSE	CALibration:LDEtector?		not available for FSP
FSE	CALibration:LOSuppression?		not available for FSP
FSE	CALibration:PPEak?		not available for FSP
ESI	CALibration:PRESelector?		not available for FSP
FSP	CALibration:RESult?		new function for FSP
FSE	CALibration:SHORt?		not available for FSP
FSP + FSE	CALibration:STATe	ON   OFF	
FSP + FSE	CALibration[:ALL]?		
FSE	CONFigure:BURSt:PFERror:COUNT	1 to 1000	not available for FSP and FSET
FSE	CONFigure:BURSt:PFERror[IMMediate]		not available for FSP and FSET
FSE	CONFigure:BURSt:POWer:CONDition	NORMal   EXTReMe	not available for FSP and FSET
FSE	CONFigure:BURSt:POWer:COUNT	1 to 1000	not available for FSP and FSET
FSE	CONFigure:BURSt:POWer[IMMediate]		not available for FSP and FSET
FSE	CONFigure:BURSt:PTEMplate[:IMMediate]		not available for FSP and FSET
FSE	CONFigure:BURSt:PTEMplate:COUNT	1 to 1000	not available for FSP and FSET
FSE	CONFigure:BURSt:PTEMplate:SElect	FULL   TOP   RISing   FALLing	not available for FSP and FSET
FSE	CONFigure:BURSt:REFerence:AUTO	ON   OFF	not available for FSP and FSET
FSE	CONFigure:SPECTrum:MODulation:COUNT	1 to 1000	not available for FSP and FSET
FSE	CONFigure:SPECTrum:MODulation:RANGE	ARFCn   TXBand   RXBand   COMBined   DCSRx1800	not available for FSP and FSET
FSE	CONFigure:SPECTrum:MODulation:TGATe	ON   OFF	not available for FSP and FSET
FSE	CONFigure:SPECTrum:MODulation[:IMMediate]		not available for FSP and FSET
FSE	CONFigure:SPECTrum:SWITching:COUNT	1 to 1000	not available for FSP and FSET
FSE	CONFigure:SPECTrum:SWITching[:IMMediate]		not available for FSP and FSET
FSE	CONFigure:SPURious:ANTenna	CONDUCTed   RADiated	not available for FSP and FSET

Devices	Command	Parameter	Notes
FSE	CONFigure:SPURious:COUN:RXBandt	1 to 1000	not available for FSP and FSET
FSE	CONFigure:SPURious:COUNt	1 to 1000	not available for FSP and FSET
FSE	CONFigure:SPURious:RANGe	TXBand   OTXBand   RXBand   IDLeband   COMBined	not available for FSP and FSET
FSE	CONFigure:SPURious:STEP:COUNt?		not available for FSP and FSET
FSE	CONFigure:SPURious:STEP<1..26>	ON   OFF	not available for FSP and FSET
FSE	CONFigure:SPURious[:IMMediate]		not available for FSP and FSET
FSE	CONFigure[:BTS]:ARFCn	<numeric_value>	not available for FSP and FSET
FSE	CONFigure[:BTS]:ARFCn:AUTO	ONCE	not available for FSP and FSET
FSE	CONFigure[:BTS]:CHANnel:SFH	ON   OFF	not available for FSP and FSET
FSE	CONFigure[:BTS]:CHANnel:SLOT	0 to 7	not available for FSP and FSET
FSE	CONFigure[:BTS]:CHANnel:SLOT:AUTO	ONCE	not available for FSP and FSET
FSE	CONFigure[:BTS]:CHANnel:TSC	0 to 7	not available for FSP and FSET
FSE	CONFigure[:BTS]:CHANnel:TSC:AUTO	ON   OFF	not available for FSP and FSET
FSE	CONFigure[:BTS]:COSiting	ON   OFF	not available for FSP and FSET
FSE	CONFigure[:BTS]:LIMit:FREQency	<numeric_value>	not available for FSP and FSET
FSE	CONFigure[:BTS]:LIMit:PPEak	<numeric_value>	not available for FSP and FSET
FSE	CONFigure[:BTS]:LIMit:PRMS	<numeric_value>	not available for FSP and FSET
FSE	CONFigure[:BTS]:LIMit:STANdard	ON   OFF	not available for FSP and FSET
FSE	CONFigure[:BTS]:NETWork:PHASe	1 2[,PLUS]	not available for FSP and FSET
FSE	CONFigure[:BTS]:NETWork[:TYPE]	PGSM   PGSM900   EGSM   EGSM900   DCS   GSM1800   PCS   GSM1900   RGSM   RGSM900	not available for FSP and FSET
FSE	CONFigure[:BTS]:POWer:CLASs	1 to 8   1 to 4   M1   M2   M3	not available for FSP and FSET
FSE	CONFigure[:BTS]:POWer:COUPlEd	ON   OFF	not available for FSP and FSET
FSE	CONFigure[:BTS]:POWer:DYNamic	0 to 15	not available for FSP and FSET
FSE	CONFigure[:BTS]:POWer:EXPEctEd	<numeric_value>	not available for FSP and FSET
FSE	CONFigure[:BTS]:POWer:LIMit	<numeric_value>	not available for FSP and FSET
FSE	CONFigure[:BTS]:POWer:SINGle:CLEar		not available for FSP and FSET
FSE	CONFigure[:BTS]:POWer:SINGle[:STATe]	ON   OFF	not available for FSP and FSET
FSE	CONFigure[:BTS]:POWer:STATic	0 to 6	not available for FSP and FSET
FSE	CONFigure[:BTS]:PRESet		not available for FSP and FSET
FSE	CONFigure[:BTS]:SWEeptime	STANdard   AUTO	not available for FSP and FSET
FSE	CONFigure[:BTS]:TXSupp	ON   OFF	not available for FSP and FSET
FSE	CONFigure[:BTS]MEASurement?		not available for FSP and FSET
FSE	CONFigure[:MS]:ARFCn	<numeric_value>	not available for FSP and FSET

Devices	Command	Parameter	Notes
FSE	CONFigure[:MS]:ARFCn:AUTO	ONCE	not available for FSP and FSET
FSE	CONFigure[:MS]:CHANnel:SFH	ON   OFF	not available for FSP and FSET
FSE	CONFigure[:MS]:CHANnel:TSC	0 to 7	not available for FSP and FSET
FSE	CONFigure[:MS]:LIMIT:FREQuency	<numeric_value>	not available for FSP and FSET
FSE	CONFigure[:MS]:LIMIT:PPEak	<numeric_value>	not available for FSP and FSET
FSE	CONFigure[:MS]:LIMIT:PRMS	<numeric_value>	not available for FSP and FSET
FSE	CONFigure[:MS]:LIMIT:STANdard	ON   OFF	not available for FSP and FSET
FSE	CONFigure[:MS]:NETWork:PHASe	1 2[,PLUS]	not available for FSP and FSET
FSE	CONFigure[:MS]:NETWork[:TYPE]	PGSM  PGSM900   EGSM  EGSM900   DCS  GSM1800   PCS   GSM1900   RGSM   RGSM900	not available for FSP and FSET
FSE	CONFigure[:MS]:POWEr:CLASs	<numeric_value>	not available for FSP and FSET
FSE	CONFigure[:MS]:POWEr:COUPlEd	ON   OFF	not available for FSP and FSET
FSE	CONFigure[:MS]:POWEr:EXPEctEd	<numeric_value>	not available for FSP and FSET
FSE	CONFigure[:MS]:POWEr:LEVEl	0 to 31	not available for FSP and FSET
FSE	CONFigure[:MS]:POWEr:LIMit	<numeric_value>	not available for FSP and FSET
FSE	CONFigure[:MS]:POWEr:SINGLE:CLEar		not available for FSP and FSET
FSE	CONFigure[:MS]:POWEr:SINGLE[:STATe]	ON   OFF	not available for FSP and FSET
FSE	CONFigure[:MS]:POWEr:SMALI	ON   OFF	not available for FSP and FSET
FSE	CONFigure[:MS]:PRESet		not available for FSP and FSET
FSE	CONFigure[:MS]:SWEeptime	STANdard   AUTO	not available for FSP and FSET
FSE	CONFigure[:MS]:TXSupp	ON   OFF	not available for FSP and FSET
FSE	CONFigure[:MS]MEASurement?		not available for FSP and FSET
FSET	DIAGnostic:INFO:CCOunt:ATTenuation?		not available for FSP
FSE	DIAGnostic:INFO:CCOunt:ATTenuation<1   10>?		not available for FSP
FSIQ	DIAGnostic:INFO:CCOunt:ATTenuation<1   2   3>?		not available for FSP
ESI	DIAGnostic:INFO:CCOunt:ATTenuation<1 2 4>?		not available for FSP
FSE	DIAGnostic:INFO:CCOunt:PRESelector<1..6>?		not available for FSP
FSP	DIAGnostic:SERVice:CSOource[:POWEr]	<numeric_value>	new function for FSP
FSE	DIAGnostic:SERVice:FUNCTion	<numeric_value>, <numeric_value> to	not available for FSP. Replaced by DIAG:SERV:SFUNCTion
FSET	DIAGnostic:SERVice:HGENerator	OFF   10 kHz   100 kHz   BALANced	not available for FSP
FSP	DIAGnostic:SERVice:HWINfo?		new function for FSP
FSP + FSE	DIAGnostic:SERVice:INPUt[:SELEct]	CALibration   RF	
FSP	DIAGnostic:SERVice:INPUt:PULSed[:STATe]	ON   OFF	new command for FSP
FSP	DIAGnostic:SERVice:INPUt:PULSed:PRATE	<numeric value>	new command for FSP
FSPFSU	DIAGnostic:SERVice:INPUt:PULSed[:STATe]		new function for FSU
FSU	DIAGnostic:SERVice:INPUt:PULSed:PRATE	<numeric_value>	new function for FSU
FSP + FSE	DIAGnostic:SERVice:NSOource	ON   OFF	
FSP	DIAGnostic:SERVice:SFUNCTion	<string> to	replacement for DIAG:SERV:FUNC of FSP; necessary due to different parameter formats needed on the FSP
FSP	DIAGnostic:SERVice:STEST:RESUlt?		new function for FSP

Devices	Command	Parameter	Notes
FSP + FSE	DISPlay:ANNotation:FREQuency	ON   OFF	
	DISPlay:BARGraph:LEVel:LOWer		not available for FSP
	DISPlay:BARGraph:LEVel:UPPer		not available for FSP
FSP + FSE	DISPlay:CMAP<1...26>:DEFault<1 2>		larger selection of independently configurable items (1 to 26)
FSP + FSE	DISPlay:CMAP<1...26>:HSL	0 to 1,0 to 1,0 to 1	larger selection of independently configurable items (1 to 26)
FSP + FSE	DISPlay:CMAP<1...26>:PDEFined	<color>	larger selection of independently configurable items (1 to 26)
FSP + FSE	DISPlay:FORmat	SINGLE   SPLit	
FSP + FSE	DISPlay:LOGO	ON   OFF	
FSE	DISPlay:PROGram[:MODE]	ON   OFF	not available for FSP
FSP + FSE	DISPlay:PSAVe:HOLDoff	0 to 60	
FSP + FSE	DISPlay:PSAVe[:STATe]	ON   OFF	
FSE	DISPlay[:WINDow<1 2>]:FEED	'AF'   'VIDeo'	not available for FSP
FSE	DISPlay[:WINDow<1 2>]:MINFo	ON   OFF	not available for FSP
FSP	DISPlay[:WINDow<1 2>]:SELEct		new function for FSP
FSP	DISPlay[:WINDow<1 2>]:SIZE	LARGe   SMALl	new function for FSP
FSP + FSE	DISPlay[:WINDow<1 2>]:TEXT:STATe	ON   OFF	
FSP + FSE	DISPlay[:WINDow<1 2>]:TEXT[:DATA]	<string>	
FSP + FSE	DISPlay[:WINDow<1 2>]:TIME	ON   OFF	
FSP + FSE	DISPlay[:WINDow<1 2>]:TRACe<1...3>:MODE	WRITe   VIEW   AVERAge   MAXHold   MINHold	FSP: 3 traces are available per screen FSE: 4 traces are available in full screen mode and 2 traces per screen in split screen mode
FSE	DISPlay[:WINDow<1 2>]:TRACe<1...4>:EYE:COUNT	1 to Result Length	not available for FSP
FSE	DISPlay[:WINDow<1 2>]:TRACe<1...4>:MODE:ANALog	ON   OFF	not available for FSP
FSE	DISPlay[:WINDow<1 2>]:TRACe<1...4>:MODE:CWRite	ON   OFF	not available for FSP
FSE	DISPlay[:WINDow<1 2>]:TRACe<1...4>:MODE:HCONtinuous	ON   OFF	not available for FSP
FSE	DISPlay[:WINDow<1 2>]:TRACe<1...4>:SYMBOL	DOTS   BARS   OFF	not available for FSP
FSE	DISPlay[:WINDow<1 2>]:TRACe<1...4>:X:SPACing	LINEar   LOGarithmic	not available for FSP
FSE	DISPlay[:WINDow<1 2>]:TRACe<1...4>:X[:SCALE]:RVALue	<numeric value>	not available for FSP
FSE	DISPlay[:WINDow<1 2>]:TRACe<1...4>:X[:SCALE]:ZOOM	ON   OFF	not available for FSP
FSE	DISPlay[:WINDow<1 2>]:TRACe<1...4>:X[:SCALE]:ZOOM[:FREQuency]:CENTer	<numeric_value>	not available for FSP
FSE	DISPlay[:WINDow<1 2>]:TRACe<1...4>:X[:SCALE]:ZOOM[:FREQuency]:	<numeric_value>	not available for FSP
FSP	DISPlay[:WINDow<1 2>]:TRACe<1...3>:Y:SPACing	LINEar   LOGarithmic   LDB	FSP: TRACe<1...3> LDB is not available for FSE
FSE	DISPlay[:WINDow<1 2>]:TRACe<1...4>:Y:SPACing	LINEar   LOGarithmic   PERCent	PERCent is not available for FSP FSE: TRACe<1...4>
FSP + FSE	DISPlay[:WINDow<1 2>]:TRACe<1...3>:Y[:SCALE]	10dB to 200dB	FSP: TRACe<1...3> FSE: TRACe<1...4>
FSET/ESI	DISPlay[:WINDow<1 2>]:TRACe<1...4>:Y[:SCALE]:BOTTom	<numeric value>	not available for FSP
FSP + FSE	DISPlay[:WINDow<1 2>]:TRACe<1...3>:Y[:SCALE]:MODE	ABSolute   RELative	FSP: TRACe<1...3> FSE: TRACe<1...4>
FSE	DISPlay[:WINDow<1 2>]:TRACe<1...4>:Y[:SCALE]:PDIVision		not available for FSP
FSP + FSE	DISPlay[:WINDow<1 2>]:TRACe<1...3>:Y[:SCALE]:RLEVel	-130dBm to 30dBm	FSP: TRACe<1...3> FSE: TRACe<1...4>
FSP + FSE	DISPlay[:WINDow<1 2>]:TRACe<1...3>:Y[:SCALE]:RLEVel:OFFSet	-200dB to 200dB	FSP: TRACe<1...3> FSE: TRACe<1...4>
FSP + FSE	DISPlay[:WINDow<1 2>]:TRACe<1...3>:Y[:SCALE]:RPOSition	0 to 100 PCT	FSP: TRACe<1...3> FSE: TRACe<1...4>
FSP + FSE	DISPlay[:WINDow<1 2>]:TRACe<1...3>:Y[:SCALE]:RVALue	<numeric value>	FSP: TRACe<1...3> FSE: TRACe<1...4>
FSE	DISPlay[:WINDow<1 2>]:TRACe<1...4>:Y[:SCALE]:RVALue:AUTO	ON   OFF	not available for FSP
FSET/ESI	DISPlay[:WINDow<1 2>]:TRACe<1...4>:Y[:SCALE]:TOP	<numeric value>	not available for FSP

Devices	Command	Parameter	Notes
FSP	DISPlay[:WINDow<1 2>]:TRACe<1...3>[:STATe]	ON   OFF	FSP: TRACe<1...3> FSE: TRACE<1...4>
FSE	FETCh:BURSt:FERRor:AVERAge?		not available for FSP and FSET
FSE	FETCh:BURSt:FERRor:MAXimum?		not available for FSP and FSET
FSE	FETCh:BURSt:FERRor:STATus?		not available for FSP and FSET
FSE	FETCh:BURSt:PERRor:PEAK:AVERAge?		not available for FSP and FSET
FSE	FETCh:BURSt:PERRor:PEAK:MAXimum?		not available for FSP and FSET
FSE	FETCh:BURSt:PERRor:PEAK:STATus?		not available for FSP and FSET
FSE	FETCh:BURSt:PERRor:RMS:AVERAge?		not available for FSP and FSET
FSE	FETCh:BURSt:PERRor:RMS:MAXimum?		not available for FSP and FSET
FSE	FETCh:BURSt:PERRor:RMS:STATus?		not available for FSP and FSET
FSE	FETCh:BURSt:POWer[:IMMediate]?		not available for FSP and FSET
FSE	FETCh:MODulation[:ALL]?	ARFCn   TXBand   RXBand   COMBined   DCSRx1800	not available for FSP and FSET
FSE	FETCh:PTEMplate:REFerence?	TXBand	not available for FSP and FSET
FSE	FETCh:SPECTrum:MODulation:REFerence?	TXBand	not available for FSP and FSET
FSE	FETCh:SPECTrum:SWITChing:REFerence?	TXBand	not available for FSP and FSET
FSE	FETCh:SPECTrum:SWITChing[:ALL]?		not available for FSP and FSET
FSE	FETCh:SPURious:STEP?		not available for FSP and FSET
FSE	FETCh:SPURious[:ALL]?	TXBand OTXBand   RXBand   IDLeband	not available for FSP and FSET
FSE	FORMat:DEXPort:APPend[:STATe] ON OFF[,32]		not available for FSP
FSP + FSE	FORMat:DEXPort:DSEParator	POINt COMMa	
FSE	FORMat:DEXPort:HEADer[:STATe] ON OFF[,32]		not available for FSP
FSP	FORMat[:DATA]	ASCIi   REAL[,32]	
FSE	FORMat[:DATA]	ASCIi   REAL   UINt [,32]	UINt is not available for FSP
FSP + FSE	HCOPy:ABORt		
FSP	HCOPy:CMAP:DEFault		new function for FSP
FSP	HCOPy:CMAP:HSL	<numeric value>, <numeric value>, <numeric value>	new function for FSP
FSP	HCOPy:CMAP:PDEFined	<char data>	new function for FSP
FSP	HCOPy:DESTination<1 2>	'MMEM'   'SYST:COMM:PRIN'   'SYST:COMM:CLIP'	
FSE/	HCOPy:DESTination<1 2>	'SYST:COMM:GPIB'   'SYST:COMM:SER1'   'SYST:COMM:SER2'   'SYST:COMM:CENT'   'MMEM'   'SYST:COMM:PRIN'  'SYST:COMM:CLIP'	SYST:COMM:GPIB/SER1/SER2 is not available for FSP
FSIQ/ ESI	HCOPy:DESTination<1 2>	"MMEM"   'SYST:COMM:PRIN'  'SYST:COMM:CLIP'	
FSP + FSE	HCOPy:DEVice:COLor	ON   OFF	
FSP	HCOPy:DEVice:LANGUage<1 2>	GDI   WMF   EWMF   BMP	
FSE/	HCOPy:DEVice:LANGUage<1 2>	HPGL   PCL4   PCL5   POSTscript   ESCP   WMF   PCX   HP7470 to	
FSIQ/ ESI	HCOPy:DEVice:LANGUage<1 2>	WMF   GDI   EWMF   BMP to	
FSE/	HCOPy:DEVice:PRESet<1 2>	ON   OFF	not available for FSP



Devices	Command	Parameter	Notes
FSE/	HCOPY:DEvice:RESolution<1 2>	150   300	not available for FSP
FSP + FSE	HCOPY:ITEM:ALL		
FSE	HCOPY:ITEM:FFeEd<1 2>:STATe	ON   OFF	not available for FSP
FSE	HCOPY:ITEM:LABel:TEXT	<string>	not available for FSP
FSE	HCOPY:ITEM:PFeEd<1 2>:STATe	ON   OFF	not available for FSP
FSP + FSE	HCOPY:ITEM:WINDow<1 2>:TABle:STATe	ON   OFF	
FSP + FSE	HCOPY:ITEM:WINDow<1 2>:TEXT	<string>	
FSE	HCOPY:ITEM:WINDow<1 2>:TRACe:CAINcrement	ON   OFF	not available for FSP
FSP + FSE	HCOPY:ITEM:WINDow<1 2>:TRACe:STATe	ON   OFF	
FSE	HCOPY:PAGE:DIMensions:FULL		not available for FSP
FSE	HCOPY:PAGE:DIMensions:QUADrant<1...4>		not available for FSP
FSP + FSE	HCOPY:PAGE:ORlentation<1 2>	LANDscape   PORtrait	
FSP + FSE	HCOPY[:IMMediate]		
FSET/ ESI	HOLD		not available for FSP
FSP + FSE	INITiate<1 2>:CONMeas	ON   OFF	
FSP + FSE	INITiate<1 2>:CONTinuous	ON   OFF	
FSP + FSE	INITiate<1 2>:DISPlay	ON   OFF	
FSP + FSE	INITiate<1 2>[:IMMediate]		
FSET	INPut:PRESelection:CATalog?		not available for FSP
FSET	INPut:PRESelection:USEt:NAME	'name of user defined preselector set (to edit existing set or to create new set)'	not available for FSP
FSET	INPut:PRESelection:USEt:CLEar		not available for FSP
FSET	INPut:PRESelection:USEt:COMMeNt	'comment for preselector-set'	not available for FSP
FSET	INPut:PRESelection:USEt:LRANge[:DATA]	<numeric value>, <numeric value>, <numeric_value>	not available for FSP
FSET	INPut:PRESelection:USEt:MRANge[:DATA]	<numeric value>, <numeric value>, <numeric_value>	not available for FSP
FSP + FSE	INPut<1 2>:ATTenuation	0 to 70dB	
FSET	INPut<1 2>:ATTenuation	0 to 70   80dB	80 dB not available for FSP
FSP + FSE	INPut<1 2>:ATTenuation:AUTO	ON   OFF	
FSP+FSE	INPut<1 2>:ATTenuation:AUTO:MODE	NORMal   LNOise   LDISTorsion	not available for models 3 and 7; not available for FSP
FSET/ ESI	INPut<1 2>:ATTenuation:PROTection	ON   OFF	not available for FSP
FSU	INPut<1 2>:ATTenuation:PROTection:PRESet		new function for FSU
INPut<1 2>: PRESelection [:STATe]	INPut<1 2>:ATTenuation:PROTection:PRESet		new function for FSU
FSET	INPut<1 2>:ATTenuation:STEPsize	1dB   10dB	not available for FSP
FSET	INPut<1 2>:BIMPedance	150OHM   600OHM   10kOHM	not available for FSP
FSET	INPut<1 2>:COUPLing	AC   DC	only available for FSP models 3, 8, 26
FSP	INPut<1 2>:EATT	0 to 30dB	new function for FSP
FSP	INPut<1 2>:EATT:AUTO	ON   OFF	new function for FSP
FSP	INPut<1 2>:EATT:STATe	ON   OFF	new function for FSP
FSET	INPut<1 2>:GAIN	0 to 30dB	not available for FSP
FSET/ ESI	INPut<1 2>:GAIN:AUTO	ON   OFF	not available for FSP
FSP + FSE	INPut<1 2>:GAIN:STATe	ON   OFF	
FSP + FSE	INPut<1 2>:IMPedance	50   75	
FSE	INPut<1 2>:IMPedance:CORRection	RAM   RAZ	not available for FSP
FSET	INPut<1 2>:LISN:PEARth	GROunded   FLOating	not available for FSP
FSET	INPut<1 2>:LISN:PHASe	L1   L2   L3   N	not available for FSP
FSET	INPut<1 2>:LISN[:TYPE]	TWOphase   FOURphase   OFF	not available for FSP
FSU	INPut<1 2>:MIXer:AUTO	ON   OFF	new function for FSU/FSQ
FSU	INPut<1 2>:MIXer[:POWer]	<numeric value>	new function for FSU/FSQ
FSU + FSE	INPut<1 2>:MIXer	<numeric value>	not available for FSP
FSU	INPut<1 2>:MIXer[:POWer]:AUTO	ON   OFF	new function for FSU

Devices	Command	Parameter	Notes
FSET	INPut<1 2>:PRESelection:COUPling	ON   OFF	not available for FSP
FSET	INPut<1 2>:PRESelection:COUPling:HIGH:FREQuency	5MHz to 500MHz	not available for FSP
FSET	INPut<1 2>:PRESelection:COUPling:HIGH:SET	'name of preselector set for high RBW'	not available for FSP
FSET	INPut<1 2>:PRESelection:COUPling:LOW:FREQuency	10Hz to 5MHz	not available for FSP
FSET	INPut<1 2>:PRESelection:COUPling:LOW:SET	"name of preselector set for low RBW"	not available for FSP
FSET	INPut<1 2>:PRESelection:COUPling:MID:SET	"name of preselector set for medium RBW"	not available for FSP
FSET	INPut<1 2>:PRESelection:FILTer:HPASS[:FREQuency]	100Hz to 5MHz	not available for FSP
FSET	INPut<1 2>:PRESelection:FILTer:LPASS[:FREQuency]	20KHz to 40MHz	not available for FSP
FSET	INPut<1 2>:PRESelection:FILTer[:STATe]	ON   OFF	not available for FSP
FSET	INPut<1 2>:PRESelection:SET	NARROW   NORMAl   WIDE	not available for FSP
FSET	INPut<1 2>:PRESelection:USEt[:SElect]	"name of user defined preselector set"	not available for FSP
FSET	INPut<1 2>:PRESelection[:STATe]	ON   OFF	not available for FSP
FSET	INPut<1 2>:TYPE	RF   BALAnced	not available for FSP
ESI	INPut<1 2>:TYPE	INPUT1   INPUT2	not available for FSP
FSE	INPut<1 2>:UPORt<1 2>:STATe	ON   OFF	not available for FSP
FSE	INPut<1 2>:UPORt<1 2>[:VALue]?		not available for FSP
ESI	INPut2:COUPling	AC   DC	not available for FSP
FSP	INSTRument:COUPlE	NONE   RLeVel   CF_B   CF_A	available coupling modes between Screen A and Screen B have been changed between FSE and FSP
FSE	INSTRument:COUPlE	NONE   MODE   X   Y   CONTROL   XY   XCONTROL   YCONTROL   ALL	Available coupling modes between screen A and screen B have been changed between FSE and FSP
FSP	INSTRument<1 2>:NSElect	1	currently only parameter value 1 available
ESI	INSTRument<1 2>:NSElect	1 to 3   6	4 parameter values are available
FSE/ FSIQ	INSTRument<1 2>:NSElect	1 to 5	5 parameter values are available
FSET	INSTRument<1 2>:NSElect	1   2   6	3 parameter values are available
FSP	INSTRument<1 2>[:SElect]	SANalyzer	Currently only SANalyzer available
FSE/ FSIQ	INSTRument<1 2>[:SElect]	SANalyzer   DDEMod   ADEMod   BGSM   MGSM	5 parameters are available.
ESI	INSTRument<1 2>[:SElect]	RECeiver   SANalyzer   DDEMod   ADEMod	4 parameters are available.
FSET	INSTRument<1 2>[:SElect]	ANalyzer   DDEMod   RECeiver	3 parameters are available.
FSP + FSE	MMEMory:CATalog?	string	
FSP + FSE	MMEMory:CDIRectory	directory name	
FSP + FSE	MMEMory:CLear:ALL		
FSP + FSE	MMEMory:CLear:STATe	1,path	
FSP + FSE	MMEMory:COMMent	<string>	
FSP + FSE	MMEMory:COPY	path\file, path\file	
FSP + FSE	MMEMory:DATA	filename [, <block data>]	
FSP + FSE	MMEMory:DELeTe	path\filename	
FSP + FSE	MMEMory:LOAD:AUTO	1,path	
FSP + FSE	MMEMory:LOAD:STATe	1,path	
FSP + FSE	MMEMory:MDIRectory	path	
FSP + FSE	MMEMory:MOVE	path	
FSP + FSE	MMEMory:MSIS	'A:'   'D:'	FSP: valid drives are A: and D: FSE: valid drives are A: and C:
FSP + FSE	MMEMory:NAME	path\filename	
FSP + FSE	MMEMory:RDIRectory	directory	
FSP + FSE	MMEMory:SElect[:ITEM]:ALL		
FSE	MMEMory:SElect[:ITEM]:CSEtUp	ON   OFF	not available for FSP (default setting on the FSP)

Devices	Command	Parameter	Notes
FSE	MMEMemory:SElect[:ITEM]:CVL:ALL	ON   OFF	not available for FSP and FSET
FSE	MMEMemory:SElect[:ITEM]:CVL[:ACTive]	ON   OFF	not available for FSP and FSET
FSP + FSE	MMEMemory:SElect[:ITEM]:DEFault		
FSE	MMEMemory:SElect[:ITEM]:GSETup	ON   OFF	not available for FSP (default setting on the FSP)
FSE	MMEMemory:SElect[:ITEM]:HCOPy	ON   OFF	not available for FSP (default setting on the FSP)
FSP + FSE	MMEMemory:SElect[:ITEM]:HWSettings	ON   OFF	
FSP + FSE	MMEMemory:SElect[:ITEM]:LINES:ALL	ON   OFF	
FSE	MMEMemory:SElect[:ITEM]:LINES:ALL	ON   OFF	
FSE	MMEMemory:SElect[:ITEM]:LINES[:ACTive]	ON   OFF	not available for FSP (default setting on the FSP)
FSE	MMEMemory:SElect[:ITEM]:MACROs	ON   OFF	not available for FSP
FSP + FSE	MMEMemory:SElect[:ITEM]:NONE		
FSP + FSE	MMEMemory:SElect[:ITEM]:SCData	ON   OFF	
FSP	MMEMemory:SElect[:ITEM]:TRACe[:ACTive]	ON   OFF	no numeric suffixes behind TRACe
FSE	MMEMemory:SElect[:ITEM]:TRACe<1...4>	ON   OFF	numeric suffixes behind TRACe
FSE	MMEMemory:SElect[:ITEM]:TRANsducer:ALL	ON   OFF	not available for FSP
FSE	MMEMemory:SElect[:ITEM]:TRANsducer[:ACTive]	ON   OFF	not available for FSP
FSP + FSE	MMEMemory:STORE:STATe	1,path	
FSP + FSE	MMEMemory:STORE:TRACe	1 to 3,path	
FSE	OUTPut:AF:SENSitivity	<numeric_value>	not available for FSP and FSET
FSE	OUTPut:UPORt<1 2>:STATe	ON   OFF	not available for FSP
FSE	OUTPut:UPORt<1 2>[:VALue]	#B00000000 to #B11111111	not available for FSP
FSP + FSE	OUTPut<1 2>[:STATe]	ON   OFF	
FSE	READ:BURSt:FERRor:AVERAge?		not available for FSP and FSET
FSE	READ:BURSt:FERRor:MAXimum?		not available for FSP and FSET
FSE	READ:BURSt:FERRor:STATus?		not available for FSP and FSET
FSE	READ:BURSt:PERRor:PEAK:AVERAge?		not available for FSP and FSET
FSE	READ:BURSt:PERRor:PEAK:MAXimum?		not available for FSP and FSET
FSE	READ:BURSt:PERRor:PEAK:STATus?		not available for FSP and FSET
FSE	READ:BURSt:PERRor:RMS:AVERAge?		not available for FSP and FSET
FSE	READ:BURSt:PERRor:RMS:MAXimum?		not available for FSP and FSET
FSE	READ:BURSt:PERRor:RMS:STATus?		not available for FSP and FSET
FSE	READ:BURSt:POWer:DYNamic?		not available for FSP and FSET
FSE	READ:BURSt:POWer:LEVel?		not available for FSP and FSET
FSE	READ:BURSt:POWer:STATic?		not available for FSP and FSET
FSE	READ:BURSt:POWer?		not available for FSP and FSET
FSE	READ:BURSt:REFerence[:IMMediate?]		not available for FSP and FSET
FSE	READ:SPECTrum:MODulation[:ALL]?		not available for FSP and FSET
FSE	READ:SPECTrum:SWITching[:ALL]?		not available for FSP and FSET
FSE	READ:SPURious:STEP?		not available for FSP and FSET
FSE	READ:SPURious[:ALL]?		not available for FSP and FSET
FSE	[SENSe<1 2>:]ADEMod:AF:COUPling	AC   DC	not available for FSP and FSET

Devices	Command	Parameter	Notes
FSE	[SENSe<1 2>:]ADEMod:RTIME	ON   OFF	not available for FSP and FSET
FSE	[SENSe<1 2>:]ADEMod:SBAND	NORMal   INVerse	not available for FSP and FSET
FSE	[SENSe<1 2>:]ADEMod:SQUelch:LEVel	30 to 150 dBm	not available for FSP and FSET
FSE	[SENSe<1 2>:]ADEMod:SQUelch[:]STATe]	ON   OFF	not available for FSP and FSET
FSET	[SENSe<1 2>:]AM:RANGe[:]UPPer]	3PCT   10 PCT   100PCT	not available for FSP
FSE	[SENSe<1 2>:]AVERage:AUTO	ON   OFF	not available for FSP
FSP + FSE	[SENSe<1 2>:]AVERage:COUNT	0 to 32767	
FSE	[SENSe<1 2>:]AVERage:COUNT	0 to 32767	
FSP	[SENSe<1 2>:]AVERage:TYPE	VIDeo   LINear	command is used to select logarithmic or linear averaging on the FSP; therefore parameters are incompatible to the FSE
FSE	[SENSe<1 2>:]AVERage:TYPE	MAXimum   MINimum   SCALar	command is used to select logarithmic or linear averaging on the FSP; therefore parameters are incompatible to the FSE
FSP + FSE	[SENSe<1 2>:]AVERage[:]STATe<1...3>]	ON   OFF	
FSE	[SENSe<1 2>:]BANDwidth BWIDth:DEMod	<numeric_value>	not available for FSP and FSET
FSU	[SENSe<1 2>:]BANDwidth BWIDth:PLL	WIDE   NORMal   NARRow	new function for FSU
FSE	[SENSe<1 2>:]BANDwidth BWIDth:PLL	AUTO   HIGH   MEDium   LOW	not available for FSP
FSU	[SENSe<1 2>:]BANDwidth BWIDth:PLL	AUTO   HIGH   MEDium   NARRow	new function for FSU
FSP + FSE	[SENSe<1 2>:]BANDwidth BWIDth:VIDeo	1Hz to 10MHz	FSP
FSET	[SENSe<1 2>:]BANDwidth BWIDth:VIDeo	1Hz to 500MHz	
FSP + FSE	[SENSe<1 2>:]BANDwidth BWIDth:VIDeo:AUTO	ON   OFF	
FSET	[SENSe<1 2>:]BANDwidth BWIDth:VIDeo:EXTernal[:]STATe]	ON   OFF	not available for FSP
FSP	[SENSe<1 2>:]BANDwidth BWIDth:VIDeo:RATio	0.0001 to 1	only numeric values available. Parameter ranges differ between FSP and FSE
FSE	[SENSe<1 2>:]BANDwidth BWIDth:VIDeo:RATio	0.001 to 1000   SIne   PULSe   NOISe	also text parameters are available. Parameter ranges differ between FSP and FSE not available for FSET
FSP + FSE	[SENSe<1 2>:]BANDwidth BWIDth[:]RESolution]	10Hz to 10MHz (anal. filter) 1Hz to 10MHz (FFT filter)	FSE: 10Hz to 10MHz (models 20) 1Hz to 10MHz (models 30)
FSET	[SENSe<1 2>:]BANDwidth BWIDth[:]RESolution]	10 Hz to 500MHz	
FSP + FSE	[SENSe<1 2>:]BANDwidth BWIDth[:]RESolution]:AUTO	ON   OFF	
FSE	[SENSe<1 2>:]BANDwidth BWIDth[:]RESolution]:MODE	ANALog   DIGital	not available for FSP and FSET
FSP + FSE	[SENSe<1 2>:]BANDwidth BWIDth[:]RESolution]:MODE:FFT	ON   OFF	old command that is still supported, but has been replaced on the FSP by [SENSe<1 2>:]BANDwidth BWIDth[:]RESolution]:TYPE
FSP + FSE	[SENSe<1 2>:]BANDwidth BWIDth[:]RESolution]:RATio	0.0001 to 1	
FSP	[SENSe<1 2>:]BANDwidth BWIDth[:]RESolution]:TYPE	NORMal   FFT   CFILter   RRC	new function for FSP
FSP	[SENSe<1 2>:]BANDwidth BWIDth:VIDeo:TYPE	LINear   LOGarithmic	new function for FSP
FSP + FSE	[SENSe<1 2>:]CORRection:COLLect[:]ACQuire]	THRough   OPEN	
FSE	[SENSe<1 2>:]CORRection:CVL: BAND	A Q U V E W F D G Y J	not available for FSP and FSET
FSE	[SENSe<1 2>:]CORRection:CVL:BIAS	<numeric_value>	not available for FSP and FSET
FSE	[SENSe<1 2>:]CORRection:CVL:CATalog?		not available for FSP and FSET
FSE	[SENSe<1 2>:]CORRection:CVL:CLEar		not available for FSP and FSET
FSE	[SENSe<1 2>:]CORRection:CVL:COMment	<string>	not available for FSP and FSET
FSE	[SENSe<1 2>:]CORRection:CVL:DATA	<freq>, <level> to	not available for FSP and FSET

Devices	Command	Parameter	Notes
FSE	[SENSe<1 2>:]CORRection:CVL:MIXer	<string>	not available for FSP and FSET
FSE	[SENSe<1 2>:]CORRection:CVL:PORTs	2   3	not available for FSP and FSET
FSE	[SENSe<1 2>:]CORRection:CVL:SELEct	<file_name>	not available for FSP and FSET
FSE	[SENSe<1 2>:]CORRection:CVL:SNUMber	<string>	not available for FSP and FSET
FSE	[SENSe<1 2>:]CORRection:CVL:TYPE	ODD   EVEN   EODD	not available for FSP and FSET
FSE/ FSIQ	[SENSe<1 2>:]CORRection:LOSS:INPut[:MAGNitude]	<numeric_value>	not available for FSP
FSP + FSE	[SENSe<1 2>:]CORRection:METhod	TRANsmission   REFLExion	
FSP + FSE	[SENSe<1 2>:]CORRection:RECall		
FSE	[SENSe<1 2>:]CORRection:RXGain:INPut[:MAGNitude]	<numeric_value>	not available for FSP, FSET and ESI
FSP + FSE	[SENSe<1 2>:]CORRection[:STATe]	ON   OFF	
FSP + FSE	[SENSe<1 2>:]CORRection:TRANsducer:ACTive?		
FSP + FSE	[SENSe<1 2>:]CORRection:TRANsducer:CATalog?		
FSP + FSE	[SENSe<1 2>:]CORRection:TRANsducer:COMMENT	<string>	
FSP + FSE	[SENSe<1 2>:]CORRection:TRANsducer:DATA	<freq>,<level> to	
FSP + FSE	[SENSe<1 2>:]CORRection:TRANsducer:DELEte		
FSP + FSE	[SENSe<1 2>:]CORRection:TRANsducer:SCALing	LINear LOGarithmic	
FSP + FSE	[SENSe<1 2>:]CORRection:TRANsducer:SELEct	<name>	
FSP + FSE	[SENSe<1 2>:]CORRection:TRANsducer:UNIT	<string>	
FSP + FSE	[SENSe<1 2>:]CORRection:TRANsducer[:STATe]	ON   OFF	
FSE	[SENSe<1 2>:]CORRection:TSET:ACTive?		not available for FSP
FSE	[SENSe<1 2>:]CORRection:TSET:BREak	ON   OFF	not available for FSP
FSE	[SENSe<1 2>:]CORRection:TSET:CATalog?		not available for FSP
FSE	[SENSe<1 2>:]CORRection:TSET:COMMENT	<string>	not available for FSP
FSE	[SENSe<1 2>:]CORRection:TSET:DELEte		not available for FSP
FSE	[SENSe<1 2>:]CORRection:TSET:RANGe<1...10>	<freq>,<freq>,<name> to	not available for FSP
FSE	[SENSe<1 2>:]CORRection:TSET:SELEct	<name>	not available for FSP
FSE	[SENSe<1 2>:]CORRection:TSET:UNIT	<string>	not available for FSP
FSE	[SENSe<1 2>:]CORRection:TSET[:STATe]	ON   OFF	not available for FSP
FSP + FSE	[SENSe<1 2>:]CORRection:YIG:TEMPerature:AUTO	ON   OFF	new function for FSP
FSE	[SENSe<1 2>:]DDEMod:FILTer:ALPHA	0.2 to 1	not available for FSP
FSE	[SENSe<1 2>:]DDEMod:FILTer:MEASurement	OFF   RCOsine   RRCosine   GAUSSian   B22   B25   B44   QFM   QFR   QRM   QRR   A25Fm   EMES   EREF	not available for FSP
FSE	[SENSe<1 2>:]DDEMod:FILTer:REFerence	RCOsine   RRCosine   GAUSSian   B22   B25   B44   QFM   QFR   QRM   QRR   A25Fm   EMES   EREF	not available for FSP
FSE	[SENSe<1 2>:]DDEMod:FORMat	QPSK   PSK   MSK   QAM   FSK	not available for FSP
FSE	[SENSe<1 2>:]DDEMod:FSK:NSTate	2   4	not available for FSP
FSE	[SENSe<1 2>:]DDEMod:MSK:FORMat	TYPE1   TYPE2   NORMal   DIFFerential	not available for FSP
FSE	[SENSe<1 2>:]DDEMod:NORMalize	ON   OFF	not available for FSP
FSE	[SENSe<1 2>:]DDEMod:PRATe	1   2   4   8   16	not available for FSP
FSE/ ESI	[SENSe<1 2>:]DDEMod:PRESet	GSM   EDGE   NADC   TETRa   DCS1800   PCS1900   PHS   PDCup   PDCDown   APCO25CQPSK   APCO25C4FM   CDPD   DECT   CT2   ERMes   MODacom   PWT   TFTS   F16   F322   F324   F64   FQCDma   RQCDma   FNADc   RNADc   BPSK18   GMSK18   QPSK18   GMSK36	not available for FSP

Devices	Command	Parameter	Notes
FSIQ	[SENSe<1 2>:]DDEMod:PRESet	GSM   EDGe   NADC   TETRa   PHS   PDCup   PDCDown   APCO25CQPSK   APCO25C4FM   CDPD   DECT   CT2   ERMes   MODacom   PWT   TFTS   F16   F322   F324   F64   FWCDma   RWCDma   FW3Gppcdma   RW3Gppcdma   BPSK18   GMSK18   QPSK18   GMSK36	not available for FSP
FSET	[SENSe<1 2>:]DDEMod:PRESet	GSM   EDGe   NADC   TETRa   DCS1800   PCS1900   PHS   PDCup   PDCDown   APCO25CQPSK   APCO25C4FM   CDPD   DECT   CT2   ERMes   MODacom   PWT   TFTS   F16   F322   F324   F64   FQCDma   RQCDma   FNADc   RNADc   BPSK18   GMSK18   QPSK18   GMSK36	not available for FSP
FSE	[SENSe<1 2>:]DDEMod:PSK:FORMat	NORMal   DIFFerential   N3Pi8	not available for FSP
FSE	[SENSe<1 2>:]DDEMod:PSK:NSTate	2   8	not available for FSP
FSE	[SENSe<1 2>:]DDEMod:QAM:NSTate	16	not available for FSP
FSE	[SENSe<1 2>:]DDEMod:QPSK:FORMat	NORMal   DIFFerential   OFFSet   DPI4	not available for FSP
FSE	[SENSe<1 2>:]DDEMod:SBANd	NORMal   INVerse	not available for FSP
FSE	[SENSe<1 2>:]DDEMod:SEARch:PULSe:STATe	ON   OFF	not available for FSP
FSE	[SENSe<1 2>:]DDEMod:SEARch:SYNC:CATalog?		not available for FSP
FSE	[SENSe<1 2>:]DDEMod:SEARch:SYNC:COMMeNt	<string>	not available for FSP
FSE	[SENSe<1 2>:]DDEMod:SEARch:SYNC:DATA	<string>	not available for FSP
FSE	[SENSe<1 2>:]DDEMod:SEARch:SYNC:NAME	<string>	not available for FSP
FSE	[SENSe<1 2>:]DDEMod:SEARch:SYNC:OFFSet	<numeric_value>	not available for FSP
FSE	[SENSe<1 2>:]DDEMod:SEARch:SYNC:PATTern	<string>	not available for FSP
FSE	[SENSe<1 2>:]DDEMod:SEARch:SYNC:SELeCt	<string>	not available for FSP
FSE	[SENSe<1 2>:]DDEMod:SEARch:SYNC:STATe	ON   OFF	not available for FSP
FSE	[SENSe<1 2>:]DDEMod:SEARch:TIME	100 to 1600	not available for FSP
FSE	[SENSe<1 2>:]DDEMod:SRATe	160 Hz to 1,6 MHz	not available for FSP
FSIQ	[SENSe<1 2>:]DDEMod:SRATe	160 Hz to 7 MHz	not available for FSP
	[SENSe<1 2>:]DDEMod:TIME	1 to Frame Length	not available for FSP
FSET	[SENSe<1 2>:]DEMod	OFF   AM   AMVideo   FM   PM	not available for FSP
ESI	[SENSe<1 2>:]DEMod	OFF   AM   FM	not available for FSP
FSET	[SENSe<1 2>:]DEMod:FILTer:HPASs:FREQUency	0 Hz   10 Hz   100 Hz   1 kHz	not available for FSP
FSET	[SENSe<1 2>:]DEMod:FILTer[:LPASs]:AUTO	ON   OFF	not available for FSP
FSET	[SENSe<1 2>:]DEMod:FILTer[:LPASs]:FREQUency	<numeric_value>	not available for FSP
FSE	[SENSe<1 2>:]DETEctor<1...4>:CMEM[:STATe]	ON   OFF	not available for FSP
FSP	[SENSe<1 2>:]DETEctor<1...3>[:FUNCTion]	APEak   NEGative   POSitive   SAMPlE   RMS   AVERAge   QPEak	FSP: number of traces restricted to 3; detector settings correspond to selected screen FSE: Qpeak not available
ESI	[SENSe<1 2>:]DETEctor<1...4>[:FUNCTion]	APEak   NEGative   POSitive   SAMPlE   RMS   AVERAge   QPEak	
FSP + FSE	[SENSe<1 2>:]DETEctor<1...3>[:FUNCTion]:AUTO	ON   OFF	number of traces restricted to 3
FSET	[SENSe<1 2>:]DETEctor<1...4>:PSTRetch:AUTO	ON   OFF	not available for FSP
FSET	[SENSe<1 2>:]DETEctor<1...4>:PSTRetch[:STATe]	ON   OFF	not available for FSP
ESI	[SENSe<1 2>:]DETEctor<1...4>:RECeiver[:FUNCTion]	POSitive   NEGative   RMS   AVERAge   QPEak	not available for FSP
FSET	[SENSe<1 2>:]DETEctor<1...4>:RECeiver[:FUNCTion]	POSitive   NEGative   RMS   AVERAge	not available for FSP

Devices	Command	Parameter	Notes
FSE	[SENSe<1 2>:]FILTer:CCIT[:STATe]	ON   OFF	not available for FSP and FSET
FSE	[SENSe<1 2>:]FILTer:CMESSage[:STATe]	ON   OFF	not available for FSP and FSET
FSE	[SENSe<1 2>:]FILTer:DEMPHasis:LINK	DISPlay   AUDio	not available for FSP and FSET
FSE	[SENSe<1 2>:]FILTer:DEMPHasis:TCONstant	<numeric_value>	not available for FSP and FSET
FSE	[SENSe<1 2>:]FILTer:DEMPHasis[:STATe]	ON   OFF	not available for FSP and FSET
FSE	[SENSe<1 2>:]FILTer:HPASs:FREQuency	30 Hz   300 HZ	not available for FSP and FSET
FSET	[SENSe<1 2>:]FILTer:HPASs:FREQuency	10 kHz   1 kHz   100 Hz	not available for FSP
FSE	[SENSe<1 2>:]FILTer:HPASs[:STATe]	ON   OFF	not available for FSP
FSE	[SENSe<1 2>:]FILTer:LPASs:FREQuency	3 kHz   15 kHz	not available for FSP and FSET
FSE	[SENSe<1 2>:]FILTer:LPASs[:STATe]	ON   OFF	not available for FSP and FSET
FSET	[SENSe<1 2>:]FILTer:NOTCh[:STATe]	ON   OFF	not available for FSP
FSET	[SENSe<1 2>:]FM[:DEViation]:RANGe:UPPer	ON   OFF	not available for FSP
FSET	[SENSe<1 2>:]FM[:DEViation]:RANGe[:UPPer]	<numeric_value>	not available for FSP
FSP + FSE	[SENSe<1 2>:]FREQuency:CENTer	0 to $f_{max}$	frequency ranges are different for FSP and FSE
FSE	[SENSe<1 2>:]FREQuency:CENTer:LINK	STARt   STOP   SPAN	not available for FSP
FSP + FSE	[SENSe<1 2>:]FREQuency:CENTer:STEP	0 to $f_{max}$	frequency ranges are different for FSP and FSE
FSP + FSE	[SENSe<1 2>:]FREQuency:CENTer:STEP:LINK	SPAN   RBW   OFF	
FSP + FSE	[SENSe<1 2>:]FREQuency:CENTer:STEP:LINK:FACTor	1 to 100 PCT	
FSP + FSE	[SENSe<1 2>:]FREQuency:MODE	CW FIXed   SWEEp	
FSP + FSE	[SENSe<1 2>:]FREQuency:OFFSet	<numeric_value>	
FSET	[SENSe<1 2>:]FREQuency:RANGe	2 GHz   22 GHz	not available for FSP
FSP + FSE	[SENSe<1 2>:]FREQuency:SPAN	0 to $f_{max}$	frequency ranges are different for FSP and FSE
FSP + FSE	[SENSe<1 2>:]FREQuency:SPAN:FULL		
FSE	[SENSe<1 2>:]FREQuency:SPAN:LINK	CENter   STOP   SPAN	not available for FSP
FSP + FSE	[SENSe<1 2>:]FREQuency:STARt	0 to $f_{max}$	frequency ranges are different for FSP and FSE
FSET	[SENSe<1 2>:]FREQuency:STARt:FLINe[:STATe]	ON   OFF	not available for FSP. Replaced by CALC:MARK:FUNC:SLIMits
FSE	[SENSe<1 2>:]FREQuency:STARt:LINK	CENter   STOP   SPAN	not available for FSP
FSP + FSE	[SENSe<1 2>:]FREQuency:STOP	0 to $f_{max}$	frequency ranges are different for FSP and FSE
FSET	[SENSe<1 2>:]FREQuency:STOP:FLINe[:STATe]	ON   OFF	not available for FSP; replaced by CALC:MARK:FUNC:SLIMits.
FSE	[SENSe<1 2>:]FREQuency:STOP:LINK	CENter   STARt   SPAN	not available for FSP
FSET/ESI	[SENSe<1 2>:]FREQuency[:CW]:FIXed]	$f_{min}$ to $f_{max}$	not available for FSP
FSET/ESI	[SENSe<1 2>:]FREQuency[:CW]:FIXed]:STEP	$f_{min}$ to $f_{max}$	not available for FSP
FSP	[SENSe<1 2>:]LIST:POWer:RESult?		new function for FSP
FSP	[SENSe<1 2>:]LIST:POWer[:SEQuence]	<analyzer freq>, <ref level>, <rf att>, <el att>, <filter type>, <rbw>, <vbw>, <meas time>, <trigger level>,...	new function for FSP
FSP	[SENSe<1 2>:]LIST:POWer:SET	<PEAK meas>, <RMS meas>, <AVG meas>, <trigger mode>, <trigger slope>, <trigger offset>, <gate length>	new function for FSP
FSP	[SENSe<1 2>:]LIST:POWer:STATe	ON   OFF	new function for FSP
FSE	[SENSe<1 2>:]MIXer:BIAS	<numeric_value>	not available for FSP
FSE	[SENSe<1 2>:]MIXer:BIAS:LIMit:MIN	<numeric_value>	not available for FSP
FSE	[SENSe<1 2>:]MIXer:BIAS:LIMit[:MAX]	<numeric_value>	not available for FSP
FSE	[SENSe<1 2>:]MIXer:BLOCK	ON   OFF	not available for FSP

Devices	Command	Parameter	Notes
FSE	[SENSe<1 2>:]MIXer:HARMonic	<numeric_value>	not available for FSP
FSE	[SENSe<1 2>:]MIXer:HARMonic:BAND	A   Q   U   V   E   W   F   D   G   Y   J	not available for FSP
FSE	[SENSe<1 2>:]MIXer:HARMonic:TYPE	ODD   EVEN   EODD	not available for FSP
FSE	[SENSe<1 2>:]MIXer:LOSS:HIGH	<numeric_value>	not available for FSP
FSE	[SENSe<1 2>:]MIXer:LOSS:TABLE	<file_name>	not available for FSP
FSE	[SENSe<1 2>:]MIXer:LOSS[:LOW]	<numeric_value>	not available for FSP
FSE	[SENSe<1 2>:]MIXer:PORTs	2   3	not available for FSP
FSE	[SENSe<1 2>:]MIXer:SIGNal	2   3	not available for FSP
FSE	[SENSe<1 2>:]MIXer:THReshold	0.1 to 100 dB	not available for FSP
FSE	[SENSe<1 2>:]MIXer[:STATe]	ON   OFF	not available for FSP
FSP	[SENSe<1 2>:]MPOWer[:SEQuence]	<analyzer freq>, <rbw>, <meas time>, <trigger source>, <trigger level>, <trigger offset>, <type of meas>, <# of meas>	new function for FSP
FSP	[SENSe<1 2>:]MPOWer:RESult[:LIST]?		new function for FSP
FSP	[SENSe<1 2>:]MPOWer:RESult:MIN?		new function for FSP
FSE	[SENSe<1 2>:]MSUMmary:AHOLd[:STATe]	ON   OFF	not available for FSP and FSET
FSE	[SENSe<1 2>:]MSUMmary:MODE	ABSolute   RELative	not available for FSP and FSET
FSE	[SENSe<1 2>:]MSUMmary:MTIME	0.1S   1S	not available for FSP and FSET
FSE	[SENSe<1 2>:]MSUMmary:REFerence	<numeric_value>	not available for FSP and FSET
FSE	[SENSe<1 2>:]MSUMmary:REFerence:AUTO	ONCE	not available for FSP and FSET
FSE	[SENSe<1 2>:]MSUMmary:RUNit	PCT   DB	not available for FSP and FSET
FSET	[SENSe<1 2>:]PM[:DEVIation]:RANGe[:UPPer]	<numeric_value>	not available for FSP
FSP + FSE	[SENSe<1 2>:]POWer:ACHannel:ACPairs	0 to 3	FSP: new parameter value 0 for channel power measurement
FSP + FSE	[SENSe<1 2>:]POWer:ACHannel:BANDwidth BWIDth:ACHannel	100 to 1000MHz	FSP: parameter range starts at 100Hz FSE: parameter range starts at 0 Hz
FSP + FSE	[SENSe<1 2>:]POWer:ACHannel:BANDwidth BWIDth:ALTErnate<1 2>	100 to 1000MHz	FSP: parameter range starts at 100Hz FSE: parameter range starts at 0 Hz
FSP + FSE	[SENSe<1 2>:]POWer:ACHannel:BANDwidth BWIDth[:CHANnel]	100 to 1000MHz	FSP: parameter range starts at 100Hz FSE: parameter range starts at 0 Hz
FSP + FSE	[SENSe<1 2>:]POWer:ACHannel:MODE	ABSolute   RELative	
FSP + FSE	[SENSe<1 2>:]POWer:ACHannel:PRESet	ACPowEr   CPOWEr   OBANdwidth   OBWIDth   CN   CN0   MCACpower	MCACpower not available for FSE
FSP	[SENSe<1 2>:]POWer:ACHannel:PRESet:RLEVel		new function for FSP
FSP + FSE	[SENSe<1 2>:]POWer:ACHannel:REFerence:AUTO	ONCE	
FSP + FSE	[SENSe<1 2>:]POWer:ACHannel:SPACing[:ACHannel]	100Hz to 2000MHz	different parameter range
FSP	[SENSe<1 2>:]POWer:CHannel:SPACing:CHANnel	100Hz to 2000MHz	new function for FSP
FSE	[SENSe<1 2>:]POWer:ACHannel:SPACing[:UPPer]	0 to 1000MHz	not available for FSP and FSET
FSP + FSE	[SENSe<1 2>:]POWer:ACHannel:SPACing:ALTErnate<1 2>	100Hz to 2000MHz	different parameter range
FSP	[SENSe<1 2>:]POWer:ACHannel:TXCHannel:COUNT	1   2   3   4	new function for FSP
FSP	[SENSe<1 2>:]POWer:ACHannel:REFerence:TXCHannel:AUTO	MINimum   MAXimum   LHIGHest	new function for FSP
FSP	[SENSe<1 2>:]POWer:ACHannel:REFerence:TXCHannel:MANual	1   2   3   4	new function for FSP
FSP + FSE	[SENSe<1 2>:]POWer:BANDwidth BWIDth	10 to 99.9PCT	different parameter range
FSP	[SENSe<1 2>:]POWer:HSPeEd	ON   OFF	new function for FSP
FSP	[SENSe<1 2>:]POWer:NCORrection	ON   OFF	new function for FSP
FSP	[SENSe<1 2>:]POWer:TRACe	1 to 3	new function for FSP
FSP + FSE	[SENSe<1 2>:]ROSCillator[:INTernal]:TUNe	0 to 4095	
FSP + FSE	[SENSe<1 2>:]ROSCillator[:INTernal]:TUNe:SAVe		



Devices	Command	Parameter	Notes
FSE	[SENSe<1 2>:]ROScillator:EXternal:FREQuency	1MHz to 16MHz	not available for FSP
FSP + FSE	[SENSe<1 2>:]ROScillator:SOURce	INTernal   EXTernal	
FSET/ ESI	[SENSe<1 2>:]SCAN<:RANGes[COUNt]	1 to 10	not available for FSP
FSE/ ESI	[SENSe<1 2>:]SCAN<1...10>:BANDwidth:RESolution	$f_{min}$ to $f_{max}$	not available for FSP
FSET/ ESI	[SENSe<1 2>:]SCAN<1...10>:INPut:ATTenuation	$dB_{min}$ to $dB_{max}$	not available for FSP
FSET/ ESI	[SENSe<1 2>:]SCAN<1...10>:INPut:ATTenuation:AUTO	ON   OFF	not available for FSP
FSET	[SENSe<1 2>:]SCAN<1...10>:INPut:BIMPedance	150OHM   600OHM   10kOHM	not available for FSP
FSET	[SENSe<1 2>:]SCAN<1...10>:INPut:GAIN	0dB to 30dB	not available for FSP
FSET/ ESI	[SENSe<1 2>:]SCAN<1...10>:INPut:GAIN:AUTO	ON   OFF	not available for FSP
ESI	[SENSe<1 2>:]SCAN<1...10>:INPut:GAIN:STATe	ON   OFF	not available for FSP
ESI	[SENSe<1 2>:]SCAN<1...10>:INPut:TYPE	INPUT1   INPUT2	not available for FSP
FSET	[SENSe<1 2>:]SCAN<1...10>:INPut:TYPE	RF   BALanced	not available for FSP
FSET/ ESI	[SENSe<1 2>:]SCAN<1...10>:STARt	$f_{min}$ to $f_{max}$	not available for FSP
FSET/ ESI	[SENSe<1 2>:]SCAN<1...10>:STEP	$f_{min}$ to $f_{max}$	not available for FSP
FSET/ ESI	[SENSe<1 2>:]SCAN<1...10>:STOP	$f_{min}$ to $f_{max}$	not available for FSP
FSET/ ESI	[SENSe<1 2>:]SCAN<1...10>:TIME	100 $\mu$ s to 100 s	not available for FSP
FSP + FSE	[SENSe<1 2>:]SWEEp:COUNT	0 to 32767	
FSP + FSE	[SENSe<1 2>:]SWEEp:EGATe	ON   OFF	
FSP + FSE	[SENSe<1 2>:]SWEEp:EGATe:HOLDoff	0 to 100s	
FSP + FSE	[SENSe<1 2>:]SWEEp:EGATe:LENGth	0 to 100s	
FSE	[SENSe<1 2>:]SWEEp:EGATe:LENGth	0 to 100s	
FSE	[SENSe<1 2>:]SWEEp:EGATe:LEVel	-5V to +5V	not available for FSP
FSP + FSE	[SENSe<1 2>:]SWEEp:EGATe:POLarity	POSITive   NEGative	
FSP + FSE	[SENSe<1 2>:]SWEEp:EGATe:SOURce	EXTernal   IFPower   RFPower	
FSP + FSE	[SENSe<1 2>:]SWEEp:EGATe:TYPE	LEVel   EDGE	
FSE	[SENSe<1 2>:]SWEEp:GAP	ON   OFF	not available for FSP
FSE	[SENSe<1 2>:]SWEEp:GAP:LENGth	0 to 100s	not available for FSP
FSE	[SENSe<1 2>:]SWEEp:GAP:PRETrigger	0 to 100s	not available for FSP
FSE	[SENSe<1 2>:]SWEEp:GAP:TRGTogap	0 to 100s	not available for FSP
FSP	[SENSe<1 2>:]SWEEp:POINts	<numeric value>	not available for FSE
FSET/ ESI	[SENSe<1 2>:]SWEEp:SPACing	LINear   LOGarithmic   AUTO	not available for FSP
FSE/ FSIQ	[SENSe<1 2>:]SWEEp:SPACing	LINear   LOGarithmic	not available for FSP
FSP + FSE	[SENSe<1 2>:]SWEEp:TIME	2.5ms to 1000s   1 $\mu$ s to 16000s	different parameter ranges for FSP and FSE
FSP + FSE	[SENSe<1 2>:]SWEEp:TIME:AUTO	ON   OFF	
FSE	[SENSe<1 2>:]TCAPture:LENGth	1024   2048   4096   8192   16384	not available for FSP
FSE	[SENSe<1 2>:]TV:PSOFFset	0 to 6.5 MHz	not available for FSP and FSET
FSP	[SENSe<1 2>:]TV:CCVS	INTernal   EXTernal	new function for FSP
FSP + FSE	[SENSe<1 2>:]TV[:STATe]	ON   OFF	
FSP + FSE	SOURce:AM:STATe	ON   OFF	
FSP + FSE	SOURce:DM:STATe	ON   OFF	
FSP	SOURce:EXTernal[:STATe]	ON   OFF	new command for FSP
FSP	SOURce:EXTernal:FREQuency:OFFset	<numeric_value>	new command for FSP
FSP	SOURce:EXTernal:FREQuency[:FACTor]:NUMerator	<numeric_value>	new command for FSP
FSP	SOURce:EXTernal:FREQuency[:FACTor]:DENominator	<numeric_value>	new command for FSP
FSP	SOURce:EXTernal:FREQuency:SWEEp[:STATe]	ON   OFF	new command for FSP
FSP	SOURce:EXTernal:POWER[:LEVel]	<numeric_value>	new command for FSP
FSP + FSE	SOURce:FM:STATe	ON   OFF	
FSP + FSE	SOURce:FREQuency:OFFSet	-150Hz to 150MHz	different value ranges for FSP and FSE

Devices	Command	Parameter	Notes
FSE	SOURce:POWer:ALC:SOURce	INternal   EXternal	not available for FSP and FSET
FSP + FSE	SOURce:POWer[:LEVel][:IMMediate]:OFFSet	-200dB to +200dB	
FSP + FSE	SOURce:POWer[:LEVel][:IMMediate][:AMPLitude]	-30dBm to 0dBm	different value ranges for FSP and FSE
FSP + FSE	STATus:OPERation:CONDition?		
FSE	STATus:OPERation:CONDition?		
FSP + FSE	STATus:OPERation:ENABle	0 to 65535	
FSP + FSE	STATus:OPERation:NTRansition	0 to 65535	
FSP + FSE	STATus:OPERation:PTRansition	0 to 65535	
FSP + FSE	STATus:OPERation[:EVENT?]		
FSP + FSE	STATus:PRESet		
FSP + FSE	STATus:QUEStionable:ACPLimit:CONDition?		
FSP + FSE	STATus:QUEStionable:ACPLimit:ENABle	0 to 65535	
FSP + FSE	STATus:QUEStionable:ACPLimit:NTRansition	0 to 65535	
FSP + FSE	STATus:QUEStionable:ACPLimit:PTRansition	0 to 65535	
FSP + FSE	STATus:QUEStionable:ACPLimit[:EVENT?]		
FSP + FSE	STATus:QUEStionable:CONDition?		
FSP + FSE	STATus:QUEStionable:ENABle	0 to 65535	
FSP + FSE	STATus:QUEStionable:FREQuency:CONDition?		
FSP + FSE	STATus:QUEStionable:FREQuency:ENABle	0 to 65535	
FSP + FSE	STATus:QUEStionable:FREQuency:NTRansition	0 to 65535	
FSP + FSE	STATus:QUEStionable:FREQuency:PTRansition	0 to 65535	
FSP + FSE	STATus:QUEStionable:FREQuency[:EVENT?]		
FSP + FSE	STATus:QUEStionable:LIMit<1 2>:CONDition?		FSP: individual registers for screen A and B
FSP + FSE	STATus:QUEStionable:LIMit<1 2>:ENABle	0 to 65535	FSP: individual registers for screen A and B
FSP + FSE	STATus:QUEStionable:LIMit<1 2>:NTRansition	0 to 65535	FSP: individual registers for screen A and B
FSP + FSE	STATus:QUEStionable:LIMit<1 2>:PTRansition	0 to 65535	FSP: individual registers for screen A and B
FSP + FSE	STATus:QUEStionable:LIMit<1 2>[:EVENT?]		FSP: individual registers for screen A and B
FSP + FSE	STATus:QUEStionable:LMARgin<1 2>:CONDition?		FSP: individual registers for screen A and B
FSP + FSE	STATus:QUEStionable:LMARgin<1 2>:ENABle	0 to 65535	FSP: individual registers for screen A and B
FSP + FSE	STATus:QUEStionable:LMARgin<1 2>:NTRansition	0 to 65535	FSP: individual registers for screen A and B
FSP + FSE	STATus:QUEStionable:LMARgin<1 2>:PTRansition	0 to 65535	FSP: individual registers for screen A and B
FSP + FSE	STATus:QUEStionable:LMARgin<1 2>[:EVENT?]		FSP: individual registers for screen A and B
FSP + FSE	STATus:QUEStionable:NTRansition	0 to 65535	
FSP + FSE	STATus:QUEStionable:POWer:CONDition?		
FSP + FSE	STATus:QUEStionable:POWer:ENABle	0 to 65535	
FSP + FSE	STATus:QUEStionable:POWer:NTRansition	0 to 65535	
FSP + FSE	STATus:QUEStionable:POWer:PTRansition	0 to 65535	
FSP + FSE	STATus:QUEStionable:POWer[:EVENT?]		
FSP + FSE	STATus:QUEStionable:PTRansition	0 to 65535	
FSP + FSE	STATus:QUEStionable:SYNC:CONDition?		
FSP + FSE	STATus:QUEStionable:SYNC:ENABle	0 to 65535	
FSP + FSE	STATus:QUEStionable:SYNC:NTRansition	0 to 65535	
FSP + FSE	STATus:QUEStionable:SYNC:PTRansition	0 to 65535	
FSP + FSE	STATus:QUEStionable:SYNC[:EVENT?]		
FSE	STATus:QUEStionable:TRANsducer:CONDition?		not available for FSP
FSE	STATus:QUEStionable:TRANsducer:ENABle	0 to 65535	not available for FSP
FSE	STATus:QUEStionable:TRANsducer:NTRansition	0 to 65535	not available for FSP
FSE	STATus:QUEStionable:TRANsducer:PTRansition	0 to 65535	not available for FSP
FSE	STATus:QUEStionable:TRANsducer[:EVENT?]		not available for FSP
FSP + FSE	STATus:QUEStionable[:EVENT?]		
FSP + FSE	STATus:QUEue[:NEXT?]		
FSE	SYSTem:BINFo?		not available for FSP

Devices	Command	Parameter	Notes
FSP	SYSTem:COMMunicate:GPIB:RDEvice:GENerator<1 2>:ADDRess	0 to 30	new command for FSP
FSE	SYSTem:COMMunicate:GPIB:RDEvice<1 2>:ADDRess	0 to 30	not available for FSP
FSP + FSE	SYSTem:COMMunicate:GPIB[:SELF]:ADDRess	0 to 30	
FSP + FSE	SYSTem:COMMunicate:GPIB[:SELF]:RTERminator	LFE0I   EOI	
FSP + FSE	SYSTem:COMMunicate:PRINter:ENUMerate:FIRSt?		
FSP + FSE	SYSTem:COMMunicate:PRINter:ENUMerate:NEXt?		
FSP	SYSTem:COMMunicate:PRINter:SElect<1 2>	<printer_name>	numeric suffix behind SElect
FSIQ/ ESI	SYSTem:COMMunicate:PRINter<1 2>:SElect	<printer_name>	numeric suffix behind PRINters
FSP	SYSTem:COMMunicate:RDEvice:GENerator<1 2>:LINK	GPIB   TTL	new function for FSP
FSP	SYSTem:COMMunicate:RDEvice:GENerator<1 2>:TYPE	<name>	new function for FSP
FSP + FSE	SYSTem:COMMunicate:SERial:CONTRol:DTR	IBFull   OFF	only SERial1 available for FSP
FSP + FSE	SYSTem:COMMunicate:SERial:CONTRol:RTS	IBFull   OFF	only SERial1 available for FSP
FSP + FSE	SYSTem:COMMunicate:SERial[:RECeive]:BAUD	110   300   600   1200   2400   9600   19200	only SERial1 available for FSP
FSP + FSE	SYSTem:COMMunicate:SERial[:RECeive]:BITS	7   8	only SERial1 available for FSP
FSP + FSE	SYSTem:COMMunicate:SERial[:RECeive]:PACE	XON   NONE	only SERial1 available for FSP
FSP + FSE	SYSTem:COMMunicate:SERial[:RECeive]:PARity[:TYPE]	EVEN   ODD   NONE	only SERial1 available for FSP
FSP + FSE	SYSTem:COMMunicate:SERial[:RECeive]:SBITs	1   2	only SERial1 available for FSP
FSP + FSE	SYSTem:DATE	1980 to 2099, 1 to 12, 1 to 31	
FSP	SYSTem:DISPlay:FPAneL	ON   OFF	new function for FSP
FSP + FSE	SYSTem:DISPlay:UPDate	ON   OFF	
FSP + FSE	SYSTem:ERRor[:NEXt]?		new function for FSP, but compatible to SYSTem:ERRor? on the FSE
FSP	SYSTem:ERRor:LIST?		new function for FSP
FSP	SYSTem:ERRor:CLear:ALL		new command for FSP
FSP + FSE	SYSTem:FIRMWare:UPDate	<path>	
FSP	SYSTem:LANGUage	'SCPI'   '8560E'   '8561E'   '8562E'   '8563E'   '8564E'   '8565E'   '8566A'   '8566B'   '8568A'   '8568B'   '8594E'	new command for FSP
FSP + FSE	SYSTem:PASSword[:CENable]	'pass word	
FSP + FSE	SYSTem:PRESet		
ESI/ FSIQ	SYSTem:PRESet:COMPAtible	FSE   OFF	not available for FSP
FSP + FSE	SYSTem:SET		
FSP + FSE	SYSTem:SPEaker:VOLume	0 to 1	
FSP + FSE	SYSTem:TIME	0 to 23, 0 to 59, 0 to 59	
FSP + FSE	SYSTem:VERSion?		
FSP + FSE	TRACe:COPY	TRACE1   TRACE2   TRACE3 , TRACE1   TRACE2   TRACE3	only TRACE1...TRACE3 available for FSP
FSET/ ESI	TRACe:FEED:CONTRol<1...4>	ALWayS   NEVer	not available for FSP
FSP + FSE	TRACe[:DATA]	TRACE1   TRACE2   TRACE3 , <block>   <numeric_value>	only TRACE1...TRACE3 available for FSP
FSET/ ESI	TRACe[:DATA]	TRACE1  TRACE2  TRACE3  TRACE4  SINGle  SCAN  STATus, <block>   <numeric_value>	
FSP	TRACe:IQ:DATA?		new function for FSP
FSP	TRACe:IQ:DATA:MEMory?	<offset samples>, <# of samples>	new function for FSP
FSP	TRACe:IQ:SET	<filter type>, <rbw>, <sample rate>, <trigger source>, <trigger slope>, <pretrigger samples>, <# of samples>	new function for FSP
FSP	TRACe:IQ:AVERAge[:STATe]	ON   OFF	new function for FSP

Devices	Command	Parameter	Notes
FSP	TRACe:IQ:AVERAge:COUNT	<numeric value>	new function for FSP
FSP	TRACe:IQ:SRATe	16kHz to 32MHz	new function for FSP
FSP	TRACe:IQ[:STATe]	ON   OFF	new function for FSP
FSP + FSE	TRIGger<1 2>[:SEQuence]:HOLDoff	0 to 100s	
FSE	TRIGger<1 2>[:SEQuence]:LEVel:AF	-120 to +120PCT	not available for FSP
FSE	TRIGger<1 2>[:SEQuence]:LEVel:VIDeo	0 to 100PCT	not available for FSP; replaced by TRIGger:SEQuence:SOURce :VIDeo
FSE	TRIGger<1 2>[:SEQuence]:LEVel[:EXTernal]	-5.0 to +5.0V	not available for FSP
FSP	TRIGger<1 2>[:SEQuence]:LEVel:IFPower	<numeric value>	new command for FSP
FSP + FSE	TRIGger<1 2>[:SEQuence]:SLOPe	POSitive   NEGative	
FSP	TRIGger<1 2>[:SEQuence]:SOURce	IMMediate   LINE   EXTernal   VIDeo   IFPower	
FSE/ ESI	TRIGger<1 2>[:SEQuence]:SOURce	IMMediate   LINE   EXTernal   VIDeo   RFPower   TV   AF	
FSIQ	TRIGger<1 2>[:SEQuence]:SOURce	IMMediate   LINE   EXTernal   VIDeo   RFPower   AF	
FSET	TRIGger<1 2>[:SEQuence]:SOURce	IMMediate   LINE   EXTernal   VIDeo	
FSP + FSE	TRIGger<1 2>[:SEQuence]:SOURce:VIDeo:FORMat:LPFframe	525   625	requires option B6 on FSP
FSP + FSE	TRIGger<1 2>[:SEQuence]:SOURce:VIDeo:FIELD:SElect	ALL ODD EVEN	requires option B6 on FSP
FSP + FSE	TRIGger<1 2>[:SEQuence]:SOURce:VIDeo:LINE:NUMBer	<numeric value>	requires option B6 on FSP
FSP + FSE	TRIGger<1 2>[:SEQuence]:SOURce:VIDeo:SSIGnal:POLarity	NEGative   POSitive	requires option B6 on FSP
FSE/ ESI	TRIGger<1 2>[:SEQuence]:SYNChronize:ADJust:FRAMe	0 to 100s	not available for FSP
FSE	TRIGger<1 2>[:SEQuence]:SYNChronize:ADJust:FRAMe:AUTO	ONCE	not available for FSP and FSET
FSE	TRIGger<1 2>[:SEQuence]:SYNChronize:ADJust:SLOT	0 to 100s	not available for FSP and FSET
FSE	TRIGger<1 2>[:SEQuence]:SYNChronize:ADJust:SLOT:AUTO	ONCE	not available for FSP and FSET
FSE	TRIGger<1 2>[:SEQuence]:SYNChronize:SOURce	FRAMe   TSC	not available for FSP and FSET
FSP	UNIT<1 2>:POWer	DBM   DBPW   WATT   DBUV   DBMV   VOLT   DBUA   AMP   V   A   W	available units are compatible to the FSE.
FSE/ FSIQ	UNIT<1 2>:POWer	DBM   DBPW   WATT   DBUV   DBMV   VOLT   DBUA   AMP   DB   PCT   UNITLESS   DBUV_MHZ   DBMV_MHZ   DBUA_MHZ   DBUV_M   DBIA_M   DBUV_MMHZ   DBUA_MMHZ	for FSP, the following units apply:DBM   DBPW   WATT   DBUV   DBMV   VOLT   DBUA   AMP   V   A   W
FSET/ ESI	UNIT<1 2>:POWer	DBM   DBPW   DBPT   WATT   DBUV   DBMV   VOLT   DBUA   AMPere   V   W   DB   PCT   UNITLESS   DBUV_MHZ   DBMV_MHZ   DBUA_MHZ   DBUV_M   DBIA_M   DBUV_MMHZ   DBUA_MMHZ	for FSP, the following units apply:DBM   DBPW   WATT   DBUV   DBMV   VOLT   DBUA   AMP   V   A   W
FSE	UNIT<1 2>:PROBe	ON   OFF	not available for FSP

## Table of Softkeys with IEC/IEEE-Bus Command Assignment

### FREQUENCY Key

<b>FREQ</b>	
CENTER	[SENSe:]FREQuency:CENTer <num_value>
CF- SREPSIZE	
0.1 * SPAN	[SENSe:]FREQuency:CENTer:STEP:LINK SPAN; [SENSe:]FREQuency:CENTer:STEP:LINK:FACTor 10PCT
0.5 * SPAN	[SENSe:]FREQuency:CENTer:STEP:LINK SPAN; [SENSe:]FREQuency:CENTer:STEP:LINK:FACTor 50PCT
X * SPAN	[SENSe:]FREQuency:CENTer:STEP:LINK SPAN; [SENSe:]FREQuency:CENTer:STEP:LINK:FACTor <num_value>
0.1 * RBW	[SENSe:]FREQuency:CENTer:STEP:LINK RBW; [SENSe:]FREQuency:CENTer:STEP:LINK:FACTor 10PCT
0.5 * RBW	[SENSe:]FREQuency:CENTer:STEP:LINK RBW; [SENSe:]FREQuency:CENTer:STEP:LINK:FACTor 50PCT
X * RBW	[SENSe:]FREQuency:CENTer:STEP:LINK RBW; [SENSe:]FREQuency:CENTer:STEP:LINK:FACTor <num_value>
= CENTER	no corresponding IEC/IEEE-bus command
= MARKER	no corresponding IEC/IEEE-bus command
MANUAL	[SENSe:]FREQuency:CENTer:STEP <num_value>
START	[SENSe:]FREQuency:START <num_value>
STOP	[SENSe:]FREQuency:STOP <num_value>
FREQUENCY OFFSET	[SENSe:]FREQuency:OFFSet <num_value>
SIGNAL TRACK	
TRACK ON OFF	CALCulate<1 2>:MARKer<1...4>:FUNction:STRack[:STATe] ON   OFF
TRACK BW	CALCulate<1 2>:MARKer<1...4>:FUNction:STRack:BANDwidth <num_value>
TRACK THRESHOLD	CALCulate<1 2>:MARKer<1...4>:FUNction:STRack:THReshold <num_value>
SELECT TRACE	CALCulate<1 2>:MARKer<1...4>:FUNction:STRack:TRACe 1   2   3

## SPAN Key

<b>SPAN</b>	
SPAN MANUAL	[SENSe:]FREQuency:SPAN <num_value>
SWEPTIME MANUAL	[SENSe:]SWEeptime <num_value>
FULL SPAN	[SENSe:]FREQuency:SPAN:FULL
ZERO SPAN	[SENSe:]FREQuency:SPAN 0HZ or [SENSe:]FREQuency:MODE CW   FIXEd
LAST SPAN	no corresponding IEC/IEEE-bus command

## AMPT Key

AMPT	
REF LEVEL	DISPlay[:WINDow<1 2>]:TRACe<1...3>:Y[:SCALE]:RLEVel <num_value>
RANGE LOG 100 dB	DISPlay[:WINDow<1 2>]:TRACe<1...3>:Y:SPACing LOGarithmic; DISPlay[:WINDow<1 2>]:TRACe<1...3>:Y[:SCALE] 100 dB
RANGE LOG MANUAL	DISPlay[:WINDow<1 2>]:TRACe<1...3>:Y:SPACing LOGarithmic; DISPlay[:WINDow<1 2>]:TRACe<1...3>:Y[:SCALE] <num_value>
RANGE LINEAR	DISPlay[:WINDow<1 2>]:TRACe<1...3>:Y:SPACing LINear
RANGE LINEAR %	DISPlay[:WINDow<1 2>]:TRACe<1...3>:Y:SPACing LINear %
RANGE LINEAR dB	DISPlay[:WINDow<1 2>]:TRACe<1...3>:Y:SPACing LINear dB
UNIT	
dBm	CALCulate<1 2>:UNIT:POWer DBM
dBmV	CALCulate<1 2>:UNIT:POWer DBMV
dBμV	CALCulate<1 2>:UNIT:POWer DBUV
dBμA	CALCulate<1 2>:UNIT:POWer DBUA
dBpW	CALCulate<1 2>:UNIT:POWer DBPW
VOLT	CALCulate<1 2>:UNIT:POWer VOLT
AMPERE	CALCulate<1 2>:UNIT:POWer AMPere
WATT	CALCulate<1 2>:UNIT:POWer WATT
RF ATTEN MANUAL	INPut:ATTenuation <num_value>
RF ATTEN AUTO	INPut:ATTenuation:AUTO ON
MIXER	
MIXER LOW NOISE	INPut:ATTenuation:MODE NORMAl LNOIse
REF LEVEL POSITION	DISPlay[:WINDow<1 2>]:TRACe<1...3>:Y[:SCALE]:RPOsition <num_value>
REF LEVEL OFFSET	DISPlay[:WINDow<1 2>]:TRACe<1...3>:Y[:SCALE]:RLEVel:OFFSet <num_value>

GRID ABS/REL	DISPlay[:WINDow<1 2>]:TRACe<1...3>:Y[:SCALE]:MODE ABSolute RELative
EL ATTEN AUTO	INPut:EATT:AUTO ON (with option B25 only)
EL ATTEN MANUAL	INPut:EATT <num_value> (with option B25 only)
EL ATTEN OFF	INPut:EATT:STATE OFF (with option B25 only)
RF INPUT 50Ω 75Ω	INPut:IMPedance 50   75



## MKR Key

MKR	<pre> CALCulate&lt;1 2&gt;:MARKer&lt;1...4&gt;[:STATe]  ON   OFF; CALCulate&lt;1 2&gt;:MARKer&lt;1...4&gt;:X &lt;numeric value&gt;; CALCulate&lt;1 2&gt;:MARKer&lt;1...4&gt;:Y? CALCulate&lt;1 2&gt;:DELTamarker1[:STATe]  ON   OFF; CALCulate&lt;1 2&gt;:DELTamarker&lt;1...4&gt;:X &lt;numeric value&gt;; CALCulate&lt;1 2&gt;:DELTamarker&lt;1...4&gt;:Y? </pre>
MARKER 1..4	
MARKER NORM DELTA	<pre> CALCulate&lt;1 2&gt;:DELTamarker&lt;1...4&gt;[:STATe]  ON   OFF; </pre>
SIGNAL COUNT	<pre> CALCulate&lt;1 2&gt;:MARKer&lt;1...4&gt;:COUNT  ON   OFF; CALCulate&lt;1 2&gt;:MARKer&lt;1...4&gt;:COUNT:FREQUency? </pre>
REFERENCE FIXED	
REF FXD FREQUENCY	<pre> CALCulate&lt;1 2&gt;:DELTamarker&lt;1...4&gt;:FUNctio:n:FIXed[:STATe] ON   OFF </pre>
REF POINT LEVEL	<pre> CALCulate&lt;1 2&gt;:DELTamarker&lt;1..4&gt;:FUNctio:n:FIXed:RPoint:Y &lt;num_value&gt; </pre>
REF POINT LVL OFFSET	<pre> CALCulate&lt;1 2&gt;:DELTamarker&lt;1..4&gt;:FUNctio:n:FIXed:RPoint:Y: OFFSet &lt;num_value&gt; </pre>
REF POINT FREQUENCY	<pre> CALCulate&lt;1 2&gt;:DELTamarker&lt;1..4&gt;:FUNctio:n:FIXed:RPoint:X &lt;num_value&gt; </pre>
Or:	
REF POINT TIME	<pre> CALCulate&lt;1 2&gt;:DELTamarker&lt;1..4&gt;:FUNctio:n:FIXed:RPoint:X &lt;num_value&gt; </pre>
PEAK SEARCH	<pre> CALCulate&lt;1 2&gt;:DELTamarker&lt;1..4&gt;:FUNctio:n:FIXed:RPoint: MAX </pre>
MARKER ZOOM	<pre> CALCulate&lt;1 2&gt;:MARKer&lt;1...4&gt;:FUNctio:n:ZOOM &lt;num_value&gt; </pre>
ALL MARKER OFF	<pre> CALCulate&lt;1 2&gt;:MARKer&lt;1...4&gt;:AOFF CALCulate&lt;1 2&gt;:DELTamarker&lt;1...4&gt;:AOFF </pre>
MKR-> TRACE	<pre> CALCulate&lt;1 2&gt;:MARKer&lt;1...4&gt;:TRACe &lt;num_value&gt; CALCulate&lt;1 2&gt;:DELTamarker&lt;1...4&gt;:TRACe &lt;num_value&gt; </pre>
CNT RESOL ...	<pre> CALCulate&lt;1 2&gt;:MARKer&lt;1...4&gt;:COUNT:RESolutio:n &lt;numeric value&gt; </pre>

**MKR-> Key**

<b>MKR-&gt;</b>	
SELECT MARKER	no corresponding IEC/IEEE-bus command
PEAK	CALCulate<1   2>:MARKer<1...4>:MAXimum[:PEAK] CALCulate<1   2>:DELTamarker<1...4>:MAXimum[:PEAK]
CENTER = MKR FREQ	CALCulate<1   2>:MARKer<1...4>:FUNction:CENTer
REF LEVEL = MKR LVL	CALCulate<1   2>:MARKer<1...4>:FUNction:REFerence
NEXT PEAK	CALCulate<1   2>:MARKer<1...4>:MAXimum:NEXT CALCulate<1   2>:DELTamarker<1...4>:MAXimum:NEXT
NEXT PEAK RIGHT	CALCulate<1   2>:MARKer<1...4>:MAXimum:RIGHT CALCulate<1   2>:DELTamarker<1...4>:MAXimum:LEFT
NEXT PEAK LEFT	CALCulate<1   2>:MARKer<1...4>:MAXimum:NEXT CALCulate<1   2>:DELTamarker<1...4>:MAXimum:NEXT
SEARCH LIMITS	
LEFT LIMIT	CALCulate<1   2>:MARKer<1...4>:X:SLIMits[:STATE] ON   OFF CALCulate<1   2>:MARKer<1...4>:X:SLIMits:LEFT <num_value>
RIGHT LIMIT	CALCulate<1   2>:MARKer<1...4>:X:SLIMits[:STATE] ON   OFF CALCulate<1   2>:MARKer<1...4>:X:SLIMits:RIGHT <num_value>
THRESHOLD	CALCulate<1   2>:THReshold[:STATE] ON   OFF CALCulate<1   2>:THReshold <num_value>
SEARCH LIM OFF	CALCulate<1   2>:MARKer<1...4>:X:SLIMits[:STATE] OFF CALCulate<1   2>:THReshold[:STATE] ON   OFF
MKR-> TRACE	CALCulate<1   2>:MARKer<1...4>:TRACe <numeric value> CALCulate<1   2>:DELTamarker<1...4>:TRACe <numeric value>
MKR-> CF STEPSIZE	CALCulate<1   2>:MARKer<1...4>:FUNction:CSTep
MIN	CALCulate<1   2>:MARKer<1...4>:MINimum[:PEAK] CALCulate<1   2>:DELTamarker<1...4>:MINimum[:PEAK]
NEXT MIN	CALCulate<1   2>:MARKer<1...4>:MINimum:NEXT CALCulate<1   2>:DELTamarker<1...4>:MINimum:NEXT
PEAK EXCURSION	CALCulate<1   2>:MARKer<1...4>:PEXCursion <num_value>
NEXT MODE	see above
EXCLUDE LO	CALCulate<1   2>:MARKer<1...4>:LOEXclude ON   OFF

## MKR FCTN Key

MKR FUNC	
SELECT MARKER	no corresponding IEC/IEEE-bus command
PEAK	CALCulate<1   2>:MARKer<1...4>:MAXimum[:PEAK] CALCulate<1   2>:DELTamarker<1...4>:MAXimum[:PEAK]
NOISE MEAS	CALCulate<1   2>:MARKer<1...4>:FUNction:NOISE[:STATe] ON   OFF; CALCulate<1   2>:MARKer<1...4>:FUNction:NOISE:RESult?
PHASE NOISE	
PH NOISE ON OFF	CALCulate<1   2>:DELTamarker<1...4>:FUNction:PNOise[:STATe] ON   OFF CALCulate<1   2>:DELTamarker<1...4>:FUNction:PNOise:RESult?
REF POINT LEVEL	CALCulate<1   2>:DELTamarker<1..4>:FUNction:FIXed:RPoint:Y <num_value>
REF POINT LVL OFFSET	CALCulate<1   2>:DELTamarker<1..4>:FUNction:FIXed:RPoint:Y: OFFSet <num_value>
REF POINT FREQUENCY	CALCulate<1   2>:DELTamarker<1..4>:FUNction:FIXed:RPoint:X <num_value>
PEAK SEARCH	CALCulate<1   2>:DELTamarker<1..4>:FUNction:FIXed:RPoint: MAX
N dB DOWN	CALCulate<1   2>:MARKer<1...4>:FUNction:NDBDown[:STATe] ON   OFF CALCulate<1   2>:MARKer<1...4>:FUNction:NDBDown <num_value> CALCulate<1   2>:MARKer<1...4>:FUNction:NDBDown:RESult? CALCulate<1   2>:MARKer<1...4>:FUNction:NDBDown:FREquency
PEAK LIST	
NEW SEARCH	INIT;*WAI; CALCulate<1   2>:MARKer<1...4>:FUNction:FPEaks 10; CALCulate<1   2>:MARKer<1...4>:FUNction:FPEaks:COUNT?; CALCulate<1   2>:MARKer<1...4>:FUNction:FPEaks:Y?; CALCulate<1   2>:MARKer<1...4>:FUNction:FPEaks:X?;
SORT MODE FREQ LEVEL	CALCulate<1   2>:MARKer<1...4>:FUNction:FPEaks:SORT X   Y
PEAK EXCURSION	CALCulate<1   2>:MARKer<1...4>:PEXCursion <num_value>
LEFT LIMIT	CALCulate<1   2>:MARKer<1...4>:X:SLIMits[:STATe] ON   OFF CALCulate<1   2>:MARKer<1...4>:X:SLIMits:LEFT <num_value>
RIGHT LIMIT	CALCulate<1   2>:MARKer<1...4>:X:SLIMits[:STATe] ON   OFF CALCulate<1   2>:MARKer<1...4>:X:SLIMits:RIGHT <num_value>
THRESHOLD	CALCulate<1   2>:THReshold[:STATe] ON   OFF CALCulate<1   2>:THReshold <num_value>
PEAK LIST OFF	

MARKER DEMODO	CALCulate<1 2>:MARKer<1...4>:FUNction:DEModulation[:STATe ] ON   OFF
MKR DEMOD ON/OFF	
AM	CALCulate<1 2>:MARKer<1...4>:FUNction:DEModulation:SElect AM
FM	CALCulate<1 2>:MARKer<1...4>:FUNction:DEModulation:SElect FM
MKR STOP TIME	CALCulate<1 2>:MARKer<1..4>:FUNction:DEModulation:HOLDoff <num_value>
MKR-> TRACE	CALCulate<1 2>:MARKer<1...4>:TRACe <numeric value> CALCulate<1 2>:DELTamarker<1...4>:TRACe <numeric value>

## BW Key

<b>BW</b>	
RES BW MANUAL	[SENSe:]BANDwidth BWIDth:AUTO OFF [SENSe:]BANDwidth BWIDth[:RESolution] <num_value>
VIDEO BW MANUAL	[SENSe:]BANDwidth BWIDth:VIDeo:AUTO OFF [SENSe:]BANDwidth BWIDth:VIDeo <num_value>
SWEEP TIME MANUAL	[SENSe:]SWEep:TIME:AUTO OFF [SENSe:]SWEep:TIME <num_value>
RES BW AUTO	[SENSe:]BANDwidth BWIDth[:RESolution]:AUTO ON
VIDEO BW AUTO	[SENSe:]BANDwidth BWIDth:VIDeo:AUTO ON
SWEEP TIME AUTO	[SENSe:]SWEep:TIME:AUTO ON
COUPLING RATIO	--
RBW / VBW SINE [1/3]	[SENSe:]BANDwidth BWIDth:VIDeo:RATio 3
RBW / VBW PULSE [.1]	[SENSe:]BANDwidth BWIDth:VIDeo:RATio 10
RBW / VBW NOISE [10]	[SENSe:]BANDwidth BWIDth:VIDeo:RATio 0.1
RBW / VBW MANUAL	[SENSe:]BANDwidth BWIDth:VIDeo:RATio <num_value>
SPAN / RBW AUTO [50]	[SENSe:]BANDwidth BWIDth[:RESolution]:RATio 0.02
SPAN / RBW MANUAL	[SENSe:]BANDwidth BWIDth[:RESolution]:RATio <num_value>
COUPLING DEFAULT	[SENSe:]BANDwidth BWIDth[:RESolution]:AUTO ON; [SENSe:]BANDwidth BWIDth:VIDeo:AUTO ON; [SENSe:]SWEep:TIME:AUTO ON
FILTER TYPE	[SENSe:]BANDwidth BWIDth[:RESolution]:TYPE NORMAl   FFT   CFILter   RRC
MAIN PLL BANDWIDTH	[SENSe:]BANDwidth BWIDth:PLL AUTO   HIGH   MEdium   LOW
VBW MODE LIN LOG	[SENSe:]BANDwidth BWIDth:VIDeo:TYPE LINear   LOGarithmic

**SWEEP Key**

<b>SWEEP</b>	
CONTINUOUS SWEEP	INITiate:CONTInuous ON
SINGLE SWEEP	INITiate:CONTInuous OFF; INITiate:IMMediate
CONTINUE SGL SWEEP	INITiate:CONMeasure
SWEEP TIME MANUAL	[SENSe:]SWEep:TIME <num_value>
SWEEP TIME AUTO	[SENSe:]SWEep:TIME:AUTO ON   OFF
SWEEP COUNT	[SENSe:]SWEep:COUNT <num_value>
SWEEP POINTS	[SENSe:]SWEep:POINTS <num_value>
SGL SWEEP DISP OFF	INITiate:DISPlay OFF INITiate:IMMediate

## MEAS Key

MEAS

TIME DOM  
POWER

CALCulate<1 | 2>:MARKer<1...4>:FUNction:SUMMary:RMS[:STATe] ON  
 CALCulate<1 | 2>:MARKer<1...4>:FUNction:SUMMary:PPEak[:STATe] ( ON  
 CALCulate<1 | 2>:MARKer<1...4>:FUNction:SUMMary:MEAN[:STATe] ON  
 CALCulate<1 | 2>:MARKer<1...4>:FUNction:SUMMary:SDEVIation  
 [:STATe] ON

POWER  
ON OFF

CALCulate<1 | 2>:MARKer<1...4>:FUNction:SUMMary:RMS[:STATe]  
 ON | OFF  
 CALCulate<1 | 2>:MARKer<1...4>:FUNction:SUMMary:PPEak[:STATe]  
 ON | OFF  
 CALCulate<1 | 2>:MARKer<1...4>:FUNction:SUMMary:MEAN[:STATe]  
 ON | OFF  
 CALCulate<1 | 2>:MARKer<1...4>:FUNction:SUMMary:SDEVIation  
 [:STATe] ON | OFF

PEAK

CALCulate<1 | 2>:MARKer<1...4>:FUNction:SUMMary:PPEak[:STATe]  
 ON | OFF

RMS

CALCulate<1 | 2>:MARKer<1...4>:FUNction:SUMMary:PPEak:RESult?  
 CALCulate<1 | 2>:MARKer<1...4>:FUNction:SUMMary:RMS[:STATe]  
 ON | OFF  
 CALCulate<1 | 2>:MARKer<1...4>:FUNction:SUMMary:RMS:RESult?

MEAN

CALCulate<1 | 2>:MARKer<1...4>:FUNction:SUMMary:MEAN[:STATe]  
 ON | OFF

STANDARD  
DEVIATION

CALCulate<1 | 2>:MARKer<1...4>:FUNction:SUMMary:MEAN:RESult?  
 CALCulate<1 | 2>:MARKer<1...4>:FUNction:SUMMary:SDEVIation  
 [:STATe] ON | OFF  
 CALCulate<1 | 2>:MARKer<1...4>:FUNction:SUMMary:SDEVIation:  
 RESult?

LIMITS  
ON OFF

CALCulate<1 | 2>:MARKer<1...4>:SLIMits ON | OFF

START  
LIMIT

CALCulate<1 | 2>:MARKer<1...4>:SLIMits:LEFT <num\_value>

STOP  
LIMIT

CALCulate<1 | 2>:MARKer<1...4>:SLIMits:RIGHT <num\_value>

SET  
REFERENCE

CALCulate<1 | 2>:MARKer<1...4>:FUNction:SUMMary:REFerence:A  
 UTO ONCE

POWER  
ABS REL

CALCulate<1 | 2>:MARKer<1...4>:FUNction:SUMMary:MODE ABS |  
 REL

MAX HOLD  
ON OFF

CALCulate<1 | 2>:MARKer<1...4>:FUNction:SUMMary:PHOLD  
 ON | OFF  
 CALCulate<1 | 2>:MARKer<1...4>:FUNction:SUMMary:PPEak:PHOLD:  
 :RESult?  
 CALCulate<1 | 2>:MARKer<1...4>:FUNction:SUMMary:RMS:PHOLD:  
 RESult?  
 CALCulate<1 | 2>:MARKer<1...4>:FUNction:SUMMar:MEAN:PHOLD:  
 RESult?  
 CALCulate<1 | 2>:MARKer<1...4>:FUNction:SUMMary:SDEVIation:  
 PHOLD:RESult?

AVERAGE ON OFF	CALCulate<1 2>:MARKer<1...4>:FUNction:SUMMery:AVERAge ON   OFF CALCulate<1 2>:MARKer<1...4>:FUNction:SUMMery:PPEak:AVERAge:RESult? CALCulate<1 2>:MARKer<1...4>:FUNction:SUMMery:RMS:AVERAge:RESult? CALCulate<1 2>:MARKer<1...4>:FUNction:SUMMar:MEAN:AVERAge:RESult? CALCulate<1 2>:MARKer<1...4>:FUNction:SUMMery:SDEVIation:AVERAge:RES?
NUMBER OF SWEEPS	[SENSe:]SWEep:COUNT <num_value>
CHAN PWR ACP	--
CP / ACP ON OFF	CALCulate<1 2>:MARKer<1...4>:FUNction:POWer:SElect CPOWer   ACPower; CALCulate<1 2>:MARKer<1...4>:FUNction:POWer:RESult? CPOWer   ACPower; CALCulate<1 2>:MARKer<1...4>:FUNction:POWer[:STATe] OFF
CP / ACP STANDARD	CALCulate<1 2>:MARKer<1...4>:FUNction:POWer:PRESet <standard>
CP / ACP CONFIG	--
NO. OF ADJ CHAN	[SENSe:]POWer:ACHannel:ACPairs <num_value>
CHANNEL BANDWIDTH	[SENSe:]POWer:ACHannel:BANDwidth BWIDth[:CHANnel] <num_value> [SENSe:]POWer:ACHannel:BANDwidth BWIDth:ACHannel <num_value> [SENSe:]POWer:ACHannel:BANDwidth/BWIDth:ALternate <1/2> <num_value>
CHANNEL SPACING	[SENSe:]POWer:ACHannel:SPACing:ACHannel <num_value> [SENSe:]POWer:ACHannel:SPACing:ALternate<1 2> <num_value>
ACP REF SETTINGS	[SENSe:]POWer:ACHannel:REFerence:TXCHannel:MAN 1 [SENSe:]POWer:ACHannel:REFerence:TXCHannel:Auto MIN
CP/ACP ABS/REL	[SENSe:]POWer:ACHannel:MODE ABSolute RELative
CHAN PWR /HZ	CALCulate<1 2>:MARKer<1...4>:FUNction:POWer:RESult:PHZ ON   OFF
ADJUST SETTINGS	[SENSe:]POWer:ACHannel:PRESet ACPower CPOWer OBANDwidth OBwidth
ACP LIMIT CHECK	CALCulate<1 2>:LIMit<1...8>:ACPPower[:STATe] ON   OFF CALCulate<1 2>:LIMit<1...8>:ACPPower:ACHannel:RESult? CALCulate<1 2>:LIMit<1...8>:ACPPower:ALternate<1 2>:RESult?



EDIT ACP LIMITS	<pre> CALCulate&lt;1 2&gt;:LIMit&lt;1...8&gt;:ACPoweR[:STATe] ON   OFF CALCulate&lt;1 2&gt;:LIMit&lt;1...8&gt;:ACPoweR:ACHannel[:RELative]:S TATE ON   OFF CALCulate&lt;1 2&gt;:LIMit&lt;1...8&gt;:ACPoweR:ACHannel[:RELative] &lt;num_val&gt;, &lt;num_val&gt; CALCulate&lt;1 2&gt;:LIMit&lt;1...8&gt;:ACPoweR:ACHannel:ABSolute:STATe ON   OFF CALCulate&lt;1 2&gt;:LIMit&lt;1...8&gt;:ACPoweR:ACHannel:ABSolute &lt;num_value&gt;, &lt;num_value&gt; CALCulate&lt;1 2&gt;:LIMit&lt;1...8&gt;:ACPoweR:ALternate[:RELative]: STATe ON   OFF CALCulate&lt;1 2&gt;:LIMit&lt;1...8&gt;:ACPoweR:ALternate[:RELative] &lt;num_value&gt;, &lt;num_value&gt; CALCulate&lt;1 2&gt;:LIMit&lt;1...8&gt;:ACPoweR:ALternate:ABSolute:STATe ON   OFF CALCulate&lt;1 2&gt;:LIMit&lt;1...8&gt;:ACPoweR:ALternate:ABSolute &lt;num_value&gt;, &lt;num_value&gt; </pre>
SELECT TRACE	<pre>[SENSE:]POWER:TRACe 1 2 3</pre>
SET CP REFERENCE	<pre>[SENSE:]POWER:ACHannel:REFerence:AUTO ONCE</pre>
SWEEP TIME	<pre>[SENSE:]SWEep:TIME &lt;num_value&gt;</pre>
FAST ACP ON OFF	<pre>[SENSE:]POWER:HSPeEd ON   OFF</pre>
NOISE CORR ON OFF	<pre>[SENSE:]POWER:NCORrection ON   OFF</pre>
FULL SIZE DIAGRAM	
ADJUST REF LVL	<pre>[SENSE:]POWER:ACHannel:PRESet:RLEVel</pre>
MULT CARR ACP	<pre>--</pre>
CP / ACP ON OFF	<pre> CALCulate&lt;1 2&gt;:MARKer&lt;1...4&gt;:FUNctioN:POWER:SElect CPoweR   ACPoweR; CALCulate&lt;1 2&gt;:MARKer&lt;1...4&gt;:FUNctioN:POWER:RESult? CPoweR   ACPoweR; CALCulate&lt;1 2&gt;:MARKer&lt;1...4&gt;:FUNctioN:POWER[:STATe] OFF </pre>
CP / ACP STANDARD	<pre>CALCulate&lt;1 2&gt;:MARKer&lt;1...4&gt;:FUNctioN:POWER:PRESet &lt;standard&gt;</pre>
CP / ACP CONFIG	<pre>--</pre>
NO. OF ADJ CHAN	<pre>[SENSE:]POWER:ACHannel:ACPairs &lt;num_value&gt;</pre>
NO. OF TX CHAN	<pre>[SENSE:]POWER:ACHannel:TXCHannel:COUNT &lt;num_value&gt;</pre>
CHANNEL BANDWIDTH	<pre> [SENSE:]POWER:ACHannel:BANDwidth BWIDth[:CHANnel] &lt;num_value&gt; [SENSE:]POWER:ACHannel:BANDwidth BWIDth:ACHannel &lt;num_value&gt; [SENSE:]POWER:ACHannel:BANDwidth BWIDth:ALternate &lt;1 2&gt; &lt;num_value&gt; </pre>
CHANNEL SPACING	<pre> [SENSE:]POWER:ACHannel:SPACing:CHANnel &lt;num_value&gt; [SENSE:]POWER:ACHannel:SPACing:ACHannel &lt;num_value&gt; [SENSE:]POWER:ACHannel:SPACing:ALternate&lt;1 2&gt; &lt;num_value&gt; </pre>

ACP REF SETTINGS	[SENSe:]POWER:ACHannel:REfERENCE:TXCHannel:MAN 1 [SENSe:]POWER:ACHannel:REfERENCE:TXCHannel:Auto MIN
CP/ACP ABS/REL	[SENSe:]POWER:ACHannel:MODE ABSolute RELative
CHAN PWR /HZ	CALCulate<1 2>:MARKer<1...4>:FUNction:POWER:RESult:PHZ ON   OFF
ADJUST SETTINGS	[SENSe:]POWER:ACHannel:PRESet ACPower CPower MCACpower OBANdwidth OBWidth
ACP LIMIT CHECK	CALCulate<1 2>:LIMit<1...8>:ACPower[:STATe] ON   OFF CALCulate<1 2>:LIMit<1...8>:ACPower:ACHannel:RESult? CALCulate<1 2>:LIMit<1...8>:ACPower:ALternate<1 2>:RESult?
EDIT ACP LIMITS	CALCulate<1 2>:LIMit<1...8>:ACPower[:STATe] ON   OFF CALCulate<1 2>:LIMit<1...8>:ACPower:ACHannel[:RELative]:S TATE ON   OFF CALCulate<1 2>:LIMit<1...8>:ACPower:ACHannel[:RELative] <num_val>, <num_val> CALCulate<1 2>:LIMit<1...8>:ACPower:ACHannel:ABSolute:STATE ON   OFF CALCulate<1 2>:LIMit<1...8>:ACPower:ACHannel:ABSolute <num_value>, <num_value> CALCulate<1 2>:LIMit<1...8>:ACPower:ALternate[:RELative]: STATE ON   OFF CALCulate<1 2>:LIMit<1...8>:ACPower:ALternate[:RELative] <num_value>, <num_value> CALCulate<1 2>:LIMit<1...8>:ACPower:ALternate:ABSolute:STATE ON   OFF CALCulate<1 2>:LIMit<1...8>:ACPower:ALternate:ABSolute <num_value>, <num_value>
SELECT TRACE	[SENSe:]POWER:TRACe 1 2 3
SET CP REFERENCE	[SENSe:]POWER:ACHannel:REfERENCE:AUTO ONCE
SWEEP TIME	[SENSe:]SWEep:TIME <num_value>
FAST ACP ON OFF	[SENSe:]POWER:HSPeed ON   OFF
NOISE CORR ON OFF	[SENSe:]POWER:NCORrection ON   OFF
FULL SIZE DIAGRAM	
ADJUST REF LVL	[SENSe:]POWER:ACHannel:PRESet:RLEVel
OCCUPIED PWR BANDW	
OCCUP BW ON OFF	CALCulate<1 2>:MARKer<1...4>:FUNction:POWER:SElect OBANdwidth   OBWidth CALCulate<1 2>:MARKer<1...4>:FUNction:POWER:RESult? OBANdwidth   OBWidth CALCulate<1 2>:MARKer<1...4>:FUNction:POWER[:STATe] OFF
% POWER BANDWIDTH	[SENSe:]POWER:BANDwidth BWIDth <num_value>
CHANNEL BANDWIDTH	[SENSe:]POWER:ACHannel:BANDwidth BWIDth <num_value>

NOISE CORR  
ON OFF

[SENSe:]POWer:NCORrection ON | OFF

ADJUST  
REF LVL

[SENSe:]POWer:ACHannel:PRESet:RLEVel

ADJUST  
SETTINGS

[SENSe:]POWer:PRESet ACPower|CPOWer|OBANdwidth|OBWidth

ADJUST  
REV LVL

[SENSe:]POWer:PRESet ACPower:RLEVel

SIGNAL STATISTIC	
APD ON OFF	CALCulate:STATistics:APD[:STATe] ON   OFF CALCulate:STATistics:RESult<1...3>? MEAN   PEAK   CFACtor   ALL
CCDF ON OFF	CALCulate:STATistics:CCDF[:STATe] ON   OFF CALCulate:STATistics:RESult<1...3>? MEAN   PEAK   CFACtor   ALL
PERCENT MARKER	CALC:MARK:Y:PERC 0...100%
RES BW	[SENSe:]BANDwidth[:RESolution]:AUTO OFF [SENSe:]BANDwidth[:RESolution] <num_value>
NO OF SAMPLES	CALCulate:STATistics:NSAMples <num_value>
SCALING	--
X-AXIS REF LEVEL	CALCulate:STATistics:X:RLEVel <num_value>
X-AXIS RANGE	CALCulate:STATistics:X:RANGE <num_value>
Y-AXIS MAX VALUE	CALCulate:STATistics:Y:UPPER <num_value>
Y-AXIS MIN VALUE	CALCulate:STATistics:Y:LOWER <num_value>
ADJUST SETTINGS	CALCulate:STATistics:SCALE:AUTO ONCE
DEFAULT SETTINGS	CALCulate:STATistics:PRESet
ADJUST SETTINGS	CALCulate:STATistics:SCALE:AUTO ONCE
SINGLE MEAS	INITiate:CONTInuous OFF; INITiate:IMMEdiate
COUNT MEAS	INITiate:CONTInuous ON; INITiate:IMMEdiate
C/N	
C/N	CALCulate:MARKer:FUNCTion:POWER:SElect CN CALCulate:MARKer:FUNCTion:POWER:RESult? CN
C/No	CALCulate:MARKer:FUNCTion:POWER:SElect CN0 CALCulate:MARKer:FUNCTion:POWER:RESult? CN0 CALCulate:MARKer:FUNCTion:POWER OFF
CHANNEL BANDWIDTH	[SENSe:]POWER:ACHannel:BANDwidth BWIDTH <num_value>
ADJUST SETTINGS	[SENSe:]POWER:ACHannel:PRESet CN   CN0
MODULATION DEPTH	CALCulate<1 2>:MARKer<1...4>:FUNCTion:MDEPTH[:STATe] ON   OFF CALCulate<1 2>:MARKer<1...4>:FUNCTion:MDEPTH:RESult?
TOI	CALCulate<1 2>:MARKer<1...4>:FUNCTion:TOI[:STATe] ON   OFF CALCulate<1 2>:MARKer<1...4>:FUNCTion:TOI:RESult?
SELECT MARKER	no corresponding IEC/IEEE-bus command

## TRIG Key

<b>TRIG</b>	
FREE RUN	TRIGger[:SEquence]:SOURce IMMEDIATE
VIDEO	TRIGger[:SEquence]:SOURce VIDEO TRIGger[:SEquence]:LEVel:VIDEO <numeric value>
EXTERN	TRIGger[:SEquence]:SOURce EXTERNAL [SENSe:]SWEep:EGATe:SOURce EXTERNAL
IF POWER	TRIGger[:SEquence]:SOURce IFPower TRIGger[:SEquence]:LEVel:IFPower <numeric value> [SENSe:]SWEep:EGATe:SOURce IFPower
TRIGGER OFFSET	TRIGger[:SEquence]:HOLDoff <num_value>
POLARITY POS/NEG	TRIGger[:SEquence]:SLOPe POSitive   NEGative or [SENSe:]SWEep:EGATe:POLarity POSitive   NEGative
GATED TRIGGER	[SENSe:]SWEep:EGATe ON   OFF [SENSe:]SWEep:EGATe:SOURce IFPower   EXTERNAL
GATE SETTINGS	--
GATE MODE LEVEL/EDGE	[SENSe:]SWEep:EGATe:TYPE LEVel   EDGE
POLARITY POS/NEG	[SENSe:]SWEep:EGATe:POLarity POSitive   NEGative
GATE DELAY	[SENSe:]SWEep:EGATe:HOLDoff <num_value>
GATE LENGTH	[SENSe:]SWEep:EGATe:LENGth <num_value>
SWEEP TIME	--
PRINT SCREEN	--

## TRACE Key

TRACE	
SELECT TRACE	--
CLEAR/ WRITE	DISPlay[:WINDow<1 2>]:TRACe<1...3>:MODE WRITe
MAX HOLD	DISPlay[:WINDow<1 2>]:TRACe<1...3>:MODE MAXHold
AVERAGE	DISPlay[:WINDow<1 2>]:TRACe<1...3>:MODE AVERAge or: [SENSe:]AVERAge[:STATe<1...3>] ON
VIEW	DISPlay[:WINDow<1 2>]:TRACe<1...3>:MODE VIEW
BLANK	DISPlay[:WINDow<1 2>]:TRACe<1...3>[:STATe] OFF
SWEEP COUNT	[SENSe:]SWEep:COUNT <num_value> or: [SENSe:]AVERAge:COUNT <num_value>
DETECTOR	--
AUTO SELECT	[SENSe:]DETEctor[:FUNCTION]:AUTO ON   OFF
DETECTOR AUTOPEAK	[SENSe:]DETEctor[:FUNCTION] APEak
DETECTOR MAX PEAK	[SENSe:]DETEctor[:FUNCTION] POSitive
DETECTOR MIN PEAK	[SENSe:]DETEctor[:FUNCTION] NEGative
DETECTOR SAMPLE	[SENSe:]DETEctor[:FUNCTION] SAMPlE
DETECTOR RMS	[SENSe:]DETEctor[:FUNCTION] RMS
DETECTOR AVERAGE	[SENSe:]DETEctor[:FUNCTION] AVERAge
DETECTOR QPK	[SENSe:]DETEctor[:FUNCTION] QPEak
TRACE MATH	--
T1-T2->T1	CALCulate<1 2>:MATH:STATe ON CALCulate<1 2>:MATH[:EXPRession][:DEFine] (TRACE1 - TRACE2)
T1-T3->T1	CALCulate<1 2>:MATH:STATe ON CALCulate<1 2>:MATH[:EXPRession][:DEFine] (TRACE1 - TRACE3)
TRACE POSITION	CALCulate<1 2>:MATH:POSition <num_value>

TRACE MATH OFF	CALCulate<1 2>:MATH:STATE OFF
MIN HOLD	DISPlay[:WINDow<1 2>]:TRACe<1...3>:MODE MINHold
AVG MODE LOG LIN	CALCulate<1 2>:MATH:MODE LINear   LOGarithmic or: [SENSe:]AVERAge:TYPE VIDEo   LINear
ASCII FILE EXPORT	FORMat[:DATA] ASCii MMEMory:STORE<1 2>:TRACe 1, 'TRACE.DAT'
DECIM SEP . ,	FORMat:DEXport:DSEPARATOR POINT   COMMa
COPY TRACE	TRACe: COPY TRACE1   TRACE2   TRACE3 , TRACE1   TRACE2   TRACE3

## LINES Key

LINES	<p>selection:</p> <pre>CALCulate&lt;1 2&gt;:LIMit&lt;1...8&gt;:NAME &lt;string&gt;; CALCulate&lt;1 2&gt;:LIMit&lt;1...8&gt;:UPPer:STATE ON   OFF CALCulate&lt;1 2&gt;:LIMit&lt;1...8&gt;:LOWer:STATE ON   OFF</pre> <p>limit check:</p> <pre>CALCulate&lt;1 2&gt;:LIMit&lt;1...8&gt;:STATE ON   OFF INITiate[:IMMediate]; WAI* CALCulate&lt;1 2&gt;:LIMit&lt;1...8&gt;:FAIL?</pre> <p>trace assignment:</p> <pre>CALCulate&lt;1 2&gt;:LIMit&lt;1...8&gt;:TRACe 1 2 3</pre>
SELECT LIMIT LINE	
NEW LIMIT LINE	
NAME	<p>name:</p> <pre>CALCulate&lt;1 2&gt;:LIMit&lt;1...8&gt;:NAME &lt;string&gt;;</pre> <p>domain:</p> <pre>CALCulate&lt;1 2&gt;:LIMit&lt;1...8&gt;:CONTrol:DOMain FREQuency TIME</pre> <p>scaling:</p> <pre>CALCulate&lt;1 2&gt;:LIMit&lt;1...8&gt;:CONTrol:MODE RELative   ABSolute CALCulate&lt;1 2&gt;:LIMit&lt;1...8&gt;:UPPer:MODE RELative   ABSolute CALCulate&lt;1 2&gt;:LIMit&lt;1...8&gt;:LOWer:MODE RELative   ABSolute</pre> <p>unit:</p> <pre>CALCulate&lt;1 2&gt;:LIMit&lt;1...8&gt;:UNIT DBM DBPW WATT DBUV  VOLT DBUA AMPere DB DBUV_MHZ DBUA_MHZ DEG RAD S HZ PCT</pre> <p>margin:</p> <pre>CALCulate&lt;1 2&gt;:LIMit&lt;1...8&gt;:UPPer:MARGin &lt;num_value&gt; CALCulate&lt;1 2&gt;:LIMit&lt;1...8&gt;:LOWer:MARGin &lt;num_value&gt;</pre> <p>threshold for relative y-scaling:</p> <pre>CALCulate&lt;1 2&gt;:LIMit&lt;1...8&gt;:UPPer:THReshold &lt;num_value&gt; CALCulate&lt;1 2&gt;:LIMit&lt;1...8&gt;:LOWer:THReshold &lt;num_value&gt;</pre> <p>comment:</p> <pre>CALCulate&lt;1 2&gt;:LIMit&lt;1...8&gt;:COMment &lt;string&gt;</pre>
VALUES	<pre>CALCulate&lt;1 2&gt;:LIMit&lt;1...8&gt;:CONTrol[:DATA] &lt;num_value&gt;, &lt;num_value&gt;.. CALCulate&lt;1 2&gt;:LIMit&lt;1...8&gt;:UPPer[:DATA] &lt;num_value&gt;, &lt;num_value&gt;.. CALCulate&lt;1 2&gt;:LIMit&lt;1...8&gt;:LOWer[:DATA] &lt;num_value&gt;, &lt;num_value&gt;..</pre>
INSERT VALUE	no corresponding IEC/IEEE-bus command
DELETE VALUE	no corresponding IEC/IEEE-bus command
SHIFT X LIMIT LINE	<pre>CALCulate&lt;1 2&gt;:LIMit&lt;1...8&gt;:CONTrol:SHIFt &lt;num_value&gt;</pre>
SHIFT Y LIMIT LINE	<pre>CALCulate&lt;1 2&gt;:LIMit&lt;1...8&gt;:UPPer:SHIFt &lt;num_value&gt; CALCulate&lt;1 2&gt;:LIMit&lt;1...8&gt;:LOWer:SHIFt &lt;num_value&gt;</pre>
SAVE LIMIT LINE	automatically executed during IEC/IEEE-bus operation
EDIT LIMIT LINE	s. EDIT LIMIT LINE
COPY LIMIT LINE	<pre>CALCulate&lt;1 2&gt;:LIMit&lt;1...8&gt;:COPY 1...8   &lt;name&gt;</pre>



DELETE LIMIT LINE	CALCulate<1 2>:LIMit<1...8>:DELeTe
X OFFSET	CALCulate<1 2>:LIMit<1...8>:CONTRol:OFFset <num_value>
Y OFFSET	CALCulate<1 2>:LIMit<1...8>:UPPer:OFFset <num_value> CALCulate<1 2>:LIMit<1...8>:LOWer:OFFset <num_value>
DISPLAY LINES	
DISPLAY LINE 1	CALCulate<1 2>:DLINe1:STATe ON OFF CALCulate<1 2>:DLINe1 -30 dBm
DISPLAY LINE 2	CALCulate<1 2>:DLINe2:STATe ON OFF CALCulate<1 2>:DLINe2 -30 dBm
FREQUENCY LINE 1	CALCulate<1 2>:FLINe1:STATe ON OFF CALCulate<1 2>:FLINe1 0 HZ
FREQUENCY LINE 2	CALCulate<1 2>:FLINe2:STATe ON OFF CALCulate<1 2>:FLINe2 3 GHZ
TIME LINE 1	CALCulate<1 2>:TLINe1:STATe ON OFF CALCulate<1 2>:TLINe1 0 S
TIME LINE 2	CALCulate<1 2>:TLINe2:STATe ON OFF CALCulate<1 2>:TLINe2 2.5 MS

## Taste DISP

DISP	
FULL SCREEN	DISPlay:FORmat SINGLE DISPlay[:WINDow<1 2>]:SElect
SPLIT SCREEN	DISPlay:FORmat SPLit
REF LEVEL COUPLED	INSTRument:COUple RLEVel   NONE
CENTER B = MARKER A	INSTRument:COUple CF_B   NONE
CENTER A = MARKER B	INSTRument:COUple CF_A   NONE
CONFIG DISPLAY	--
SCREEN TITLE	DISPlay[:WINDow<1 2>]:TEXT[:DATA] <string> DISPlay[:WINDow<1 2>]:TEXT:STATE ON   OFF
TIME/DATE ON OFF	DISPlay[:WINDow<1 2>]:TIME ON   OFF
LOGO ON/OFF	DISPlay:LOGO ON OFF
ANNOTATION ON/OFF	DISPlay:ANNotation:FREQuency ON OFF
DATAENTRY OPAQUE	no corresponding IEC/IEEE-bus command
DEFAULT COLORS 1	DISPlay:CMAP<1...13>:DEFault1
DEFAULT COLORS 2	DISPlay:CMAP<1...13>:DEFault2
DISPLAY PWR SAVE	DISPlay:PSAVe[:STATE] ON   OFF DISPlay:PSAVe:HOLDoff <num_value>
SELECT OBJECT	--
BRIGHTNESS	DISPlay:CMAP:HSL <hue>,<sat>,<lum>
TINT	DISPlay:CMAP<1...13>:HSL <hue>,<sat>,<lum>
SATURATION	DISPlay:CMAP<1...13>:HSL <hue>,<sat>,<lum>
PREDEFINED COLORS	DISPlay:CMAP<1...13>:PDEFined BLACK   BLUE   BROWN   GREen   MAGenta   YELLOW   WHITE   DGRAY   LGRAY   LBLUe   LGREEN   LCYan   LRED   MAGenta

## Taste FILE

FILE	
SAVE	MMEMemory:STORe:STATe 1,<file_name>
RECALL	MMEMemory:LOAD:STATe 1,<file_name>
EDIT PATH	--
EDIT COMMENT	MMEMemory:COMMeNt <string>
ITEMS TO SAVE/RCL	
SELECT ITEMS	MMEMemory:SElect[:ITEM]:HWSettings ON OFF MMEMemory:SElect[:ITEM]:TRACe[:ACTiVe] ON OFF MMEMemory:SElect[:ITEM]:LINES:ALL ON OFF MMEMemory:SElect[:ITEM]:NONE
DEFAULT CONFIG	MMEMemory:SElect[:ITEM]:DEFault
DISABLE ALL ITEMS	MMEMemory:SElect[:ITEM]:NONE
ENABLE ALL ITEMS	MMEMemory:SElect[:ITEM]:ALL
DATA SET LIST	--
DATA SET CLEAR	MMEMemory:CLEAr:STATe 1,<file_name>
STARTUP RECALL	MMEMemory:LOAD:AUTO 1,<file_name>
FILE MANAGER	
EDIT PATH	MMEMemory:MSIS <device> MMEMemory:CDIRectory <directory_name>
NEW FOLDER	MMEMemory:MDIRectory <directory_name>
COPY	MMEMemory:COpy <file_source>,<file_destination>
RENAME	MMEMemory:MOVe <file_source>,<file_destination>
CUT	MMEMemory:DELeTe <file_name> MMEMemory:RDIRectory <directory_name>
PASTE	no corresponding IEC/IEEE-bus command
DELETE	MMEMemory:DELeTe <file_name> MMEMemory:RDIRectory <directory_name>

SORT MODE	no corresponding IEC/IEEE-bus command
2 FILE LISTS	no corresponding IEC/IEEE-bus command
FORMAT DISK	MMEMemory:INITialize <msus>
ASCII FILE EXPORT	FORMat[:DATA] ASCi MMEMemory:STORe<1 2>:TRACe 1, 'TRACE.DAT'
DECIM SEP .	FORMat:DEXPort:DSEParator POINT   COMMa
DATA SET CLEAR ALL	MMEMemory:CLEAr:ALL

## Taste CAL

CAL

CAL  
TOTAL

CALibration[:ALL]?

CAL  
ABORT

CALibration:ABORT

CAL CORR  
ON OFF

CALibration:STATE ON | OFF

CAL  
RESULTS

CALibration:RESults?

## SETUP Key

REFERENCE INT/EXT	[SENSe:]ROSCillator:SOURce INTernal EXTernal
NOISE SCR ON OFF	DIAGnostic:SERVice:NSource ON   OFF <num_value>
PREAMP ON OFF	INPut:GAIN <num_value> (with option Electronic Attenuator - B25 only)
SIGNAL SOURCE	
YIG FILTER ON OFF	
TRANSDUCER	--
TRANSDUCER FACTOR	CORRection:TRANSmision:SElect <name> CORRection:TRANSmision ON   OFF
EDIT TRD FACTOR	CORRection:TRANSmision:COMMunicate <string> CORRection:TRANSmision:SCALE LIN LOG
NEW FACTOR	
TRD FACTOR NAME	--
TRD FACTOR UNIT	--
TRD FACTOR VALUES	--
INSERT LINE	--
DELETE LINE	--
SAVE TRD FACTOR	--
DELETE	CORRection:TRANSmision DELEte
PAGE UP	--
PAGE DOWN	--
GENERAL SETUP	--
GPIB	--
GPIB ADDRESS	SYSTem:COMMunicate:GPIB[:SELF]:ADDRess 0...30
ID STRING FACTORY	--
LD STRING USER	--
GPIB LANGUAGE	SYSTem: LANGUage "SCPI"   "8560E"   "8561E"   "8562E"   "8563E"   "8564E"   "8566A"   "8566B"   "8568A"   "8568B"   "8594E"

COM INTERFACE	<pre> SYSTEM:COMMunicate:SERial[:RECeive:]BAUD    &lt;num_value&gt; SYSTEM:COMMunicate:SERial[:RECeive]:BITS    7   8 SYSTEM:COMMunicate:SERial:RECeive:PARity[:TYPE] EVEN   ODD   NONE SYSTEM:COMMunicate:SERial[:RECeive]:SBITs    1 2 SYSTEM:COMMunicate:SERial:CONTRol:DTR    IBFull   OFF SYSTEM:COMMunicate:SERial:CONTRol:RTS    IBFull   OFF SYSTEM:COMMunicate:SERial[:RECeive]:PACE    XON   NONE         </pre>
TIME+DATE	<pre> SYSTEM:TIME    0...23, 0...59, 0...59 SYSTEM:DATE    &lt;num&gt;, &lt;num&gt;, &lt;num&gt;         </pre>
CONFIGURE NETWORK	<pre> With option LAN-Interface B16 only --         </pre>
NETWORK LOGIN	<pre> With option LAN-Interface B16 only --         </pre>
OPTIONS	--
INSTALL OPTION	--
REMOVE OPTION	--
SOFT FRONTPANEL	<pre> SYSTEM:DISPlay:FPANel ON   OFF         </pre>
SYSTEM INFO	--
HARDWARE INFO	<pre> DIAGnostic:SERvice:HWInfo?         </pre>
STATISTICS	--
SYSTEM MESSAGES	<pre> SYSTEM:ERRor? SYSTEM:ERRor:LIST?         </pre>
CLEAR ALL MESSAGES	<pre> SYSTEM:ERRor?         </pre>
SERVICE	--
INPUT RF	<pre> DIAGnostic:SERvice:INPut[:SElect] RF         </pre>
INPUT CAL	<pre> DIAGnostic:SERvice:INPut[:SElect] CALibration DIAGnostic:SERvice:CSourc[:POWER] &lt;num_value&gt;         </pre>
SELFTEST	<pre> *TST?         </pre>
SELFTEST RESULTS	<pre> DIAGnostic:SERvice:STESt:RESult?         </pre>
ENTER PASSWORD	<pre> SYSTEM:PASSword[:CENable]    &lt;string&gt;         </pre>
CAL GEN 128 MHz	<pre> DIAGnostic:SERvice:INPut:PULSed OFF         </pre>
CAL GEN COMB	<pre> DIAGnostic:SERvice:INPut:PULSed ON DIAGnostic:SERvice:INPut:PULSed:PRATe 128 MHz         </pre>
SERVICE FUNCTION	<pre> DIAGnostic:SERvice:SFUNction &lt;string&gt;         </pre>
FIRMWARE UPDATE	--
RESTORE FIRMWARE	--

## HCOPY Key

HCOPY	<pre>HCOPY:ITEM:ALL HCOPY:IMMEDIATE  for printout into file add          MMemory:NAME &lt;file_name&gt;</pre>
PRINT SCREEN	<pre>HCOPY:ITEM:WINDOW&lt;1 2&gt;:TRACE:STATE  ON   OFF HCOPY:IMMEDIATE  for printout into file add          MMemory:NAME &lt;file_name&gt;</pre>
PRINT TRACE	<pre>HCOPY:ITEM:WINDOW&lt;1 2&gt;:TABLE:STATE  ON   OFF HCOPY:IMMEDIATE  for printout into file add          MMemory:NAME &lt;file_name&gt;</pre>
PRINT TABLE	<pre>HCOPY:ABORT</pre>
HARDCOPY ABORT	<pre>SYSTEM:COMMUNICATE:PRINTER:ENUMERATE:FIRST? SYSTEM:COMMUNICATE:PRINTER:ENUMERATE:NEXT? SYSTEM:COMMUNICATE:PRINTER:SELECT &lt;string&gt; HCOPY:DESTINATION &lt;string&gt; HCOPY:DEVICE:LANGUAGE  GDI   WMF   EWMF   BMP HCOPY:PAGE:ORIENTATION&lt;1 2&gt;  LANDSCAPE   PORTRAIT</pre>
DEVICE SETUP	<pre>HCOPY:DEVICE:COLOR ON   OFF HCOPY:CMAP:DEFAULT1</pre>
DEVICE2 1 2	<pre>HCOPY:ITEM:WINDOW:TEXT &lt;string&gt;</pre>
COLOR	
COMMENT	
INSTALL PRINTER	



## Hotkeys

SPECTRUM	INSTRument[:SElect] SANalyzer INSTRument:NSElect 1
NETWORK	With option tracking generator B9 or option ext. Generator control B10 --
SCREEN A/B	FULL SCREEN: Selection of the active window: DISPlay[:WINDow<1 2> The window valid for the setting is selected by the numeric suffix in the command, eg SENSE<1 2>  SPLIT SCREEN: The two measurement windows are active. The window valid for the setting is selected by the numeric suffix in the command, eg SENSE<1 2>

## Hotkey NETWORK

NETWORK	with option internal tracking generator FSP-B9 or option external generator control FSP-B10 only: --
SOURCE ON / OFF	OUTPut:STATe ON   OFF
SOURCE POWER	SOURce:POWer <num_value>
POWER OFFSET	SOURce:POWer:OFFSet <num_value>
SOURCE CAL	with option internal tracking generator FSP-B9 or option external generator control FSP-B10 only:
CAL TRANS	[SENSe:]CORRection:METhod TRANsmission [SENSe:]CORRection:COLLect[:ACQuire] THRUgh
CAL REFL SHORT	[SENSe:]CORRection:METhod REFLeXion [SENSe:]CORRection:COLLect[:ACQuire] THRUgh
CAL REFL OPEN	[SENSe:]CORRection:METhod REFLeXion [SENSe:]CORRection:COLLect[:ACQuire] OPEN
NORMALIZE	[SENSe:]CORRection[:STATe] ON   OFF
REF VALUE POSITION	DISP:WIND:TRAC:Y:RPOS <num_value>
REF VALUE	DISP:WIND:TRAC:Y:RVAL <num_value>
RECALL	[SENSe:]CORRection:RECall
FREQUENCY OFFSET	with option internal tracking generator FSP-B9 only: SOURce:FREQuency:OFFSet <num_value>
MODULATION	with option internal tracking generator FSP-B9 only:
EXT AM	SOURce:AM:STATe ON OFF
EXT FM	SOURce:FM:STATe ON OFF SOURce:FM:DEVIation <num_value>
EXT I/Q	SOURce:DM:STATe ON OFF
MODULATION OFF	--
EXT SOURCE	with option external generator control FSP-B10 only:
EXT SRC ON / OFF	SOURce:EXTErnal[:STATe] ON   OFF
SELECT GENERATOR	SYSTem:COMMunicate:RDEvice:GENERator:TYPE 'SME02' SYSTem:COMMunicate:RDEvice:GENERator:LINK TTL SYSTem:COMMunicate:GPIB:RDEvice:GENERator:ADDRESS 28
FREQUENCY SWEEP	SOURce:EXTErnal:POWer -30dBm SOURce:EXTErnal:FREQuency:NUMerator 4 SOURce:EXTErnal:FREQuency:DENominator 3 SOURce:EXTErnal:FREQuency:OFFSet 100MHZ

# Contents - Chapter 7 "Remote Control - Programming Examples"

<b>7 Remote Control - Programming Examples .....</b>	<b>7.1</b>
<b>Basic Steps of IEC/IEEE-Bus Programming.....</b>	<b>7.1</b>
Including IEC-Bus Library for VisualBasic .....	7.1
Initialization and Default Status .....	7.2
Creating Global Variables.....	7.2
Initiate Controller .....	7.2
Initiate Instrument.....	7.3
Switching the Display On/Off.....	7.3
Configuring Power Save Function (Display Permanently Switched Off) .....	7.4
Transmission of Simple Instrument Setting Commands .....	7.4
Return to Manual Control.....	7.4
Reading Out Instrument Settings .....	7.5
Positioning Markers and Displaying Values.....	7.5
Command Synchronization.....	7.6
Service Request .....	7.7
Initiate Service Request.....	7.7
Waiting for the Arrival of a Service Request .....	7.8
Waiting Without Blocking the Keyboard and Mouse .....	7.9
Service Request Routine.....	7.10
Reading Out the Output Buffer.....	7.10
Reading Out Error Messages.....	7.11
Evaluation of SCPI Status Registers .....	7.11
Evaluation of Event Status Register .....	7.12
<b>More Complex Programming Examples.....</b>	<b>7.13</b>
Default Setting of the FSP .....	7.13
Setting the IEC/IEEE Bus Status Register .....	7.13
Default Setting for Measurements.....	7.14
Using Marker and Delta Marker.....	7.15
Marker Search Functions, Limitation of Search Range.....	7.15
Measuring Spurious Emissions .....	7.17
Frequency Counting .....	7.18
Operation with Fixed Reference Point (Reference Fixed).....	7.19
Phase and Phase Noise Measurement.....	7.20
Shape Factor Measurement (using n dB down).....	7.21
Measuring the Third Order Intercept Point.....	7.22
Measuring the AM Modulation Depth .....	7.23
Limit Lines and Limit Test.....	7.24
Measuring the Channel and Adjacent Channel Power .....	7.26
Occupied Bandwidth Measurement.....	7.28
Time Domain Power Measurement.....	7.29
Fast Power Measurement on Power Ramps.....	7.30
Power Measurement with Multi-Summary Marker .....	7.30
Multi-Burst Power Measurement .....	7.32
Fast Level Measurement Using Frequency Lists .....	7.34
Level Correction of Transducers (Definition of Transducer Factors) .....	7.36
Reading Trace Data .....	7.37

---

Measuring the Magnitude and Phase of a Signal (I/Q Data Acquisition).....	7.39
Averaging I/Q Data .....	7.42
Storing and Loading Device Settings.....	7.43
Storing Instrument Settings .....	7.43
Loading Device Settings.....	7.44
Setting the Data Set for Startup Recall .....	7.44
Reading and Writing Files .....	7.45
Reading a File from the Instrument.....	7.45
Creating a File on the Instrument.....	7.46
Configuring and Starting a Printout.....	7.47

## 7 Remote Control - Programming Examples

The following programming examples have a hierarchical structure, i.e. subsequent examples are based on previous ones. It is thus possible to compile very easily an operational program from the modules of the given examples.

### Basic Steps of IEC/IEEE-Bus Programming

The examples explain the programming of the instrument and can serve as a basis to solve more complex programming tasks.

VISUAL BASIC has been used as programming language. However, the programs can be translated into other languages.

### Including IEC-Bus Library for VisualBasic

#### Programming hints:

- **Output of texts using the "Print" function**

The following programming examples are based on the assumption that all subroutines are part of a form (file extension: .FRM). In this case the syntax

```
Print "Text"
```

is allowed.

If however the subroutines are stored as a so-called module (file extension: .BAS), the print instruction should be preceded by the name of a form which has the required print method. If, for example, there is a form with the name "Main", the associated print instruction is as follows:

```
Main.Print "Text".
```

- **Access to functions of GPIB.DLL**

To create Visual Basic control applications, the file GPIB.BAS (as from VB 6.0 VBIB-32.BAS) is added to a project so that the functions of the RSIB.DLL can be called. In addition, the file NIGLOBAL.BAS is added to the project. This file contains constants and definitions for the processing of errors, timeout values, etc.

- **Declaration of DLL functions as procedures**

Since the functions all return an integer value, the functions in the file GPIB.BAS are all declared as follows:

```
Declare Function xxx Lib "gpib.dll" ( ... ) As Integer
```

The function value with the status variables `ibsta` should be allocated a variable when it is called up. Since this value is also returned via a reference parameter of the functions, the functions can be declared as procedures as follows:

```
Declare Sub xxx Lib "rsib.dll" ( ... )
```

- **Generating a response buffer**

Since the DLL returns zero-terminated strings in case of responses, a string of sufficient length should be generated prior to calling the functions `ibrd()` and `ilrd()`, since Visual Basic prefixes a length value to the strings which is not updated by the DLL.

The following two possibilities are available to generate a length value for a string:

```
- Dim Rd as String * 100
- Dim Rd as String
  Rd = Space$(100)
```

## Initialization and Default Status

Variables used by all subroutines should be stored at the beginning of every program.

Then the IEC/IEEE bus as well as the settings of the instrument are brought into a defined default status at the beginning of every program. Subroutines "InitController" and "InitDevice" are used to this effect.

## Creating Global Variables

Global variables are placed in so-called "modules" (file extension: .BAS) in Visual Basic. Therefore, at least one module (e.g. "GLOBALS.BAS) should be created which contains the variables used by all subroutines, such as the device addresses used by the IEC/IEEE-bus driver.

The file should contain the following instructions for the programming examples below:

```
Global analyzer As Integer
Global boardId As Integer
```

## Initiate Controller

```
REM ----- Initiate controller -----
Public SUB InitController()

ieaddress% = 20                                'IEC/IEEE-bus address of the
                                              'instrument

CALL IBFIND("GPIB0", boardId%)                'Open port to the controller
CALL IBFIND("DEV1", analyzer%)                'Open port to the instrument
CALL IBPAD(analyzer%, ieaddress%)             'Inform controller on instrument
                                              'address

CALL IBTMO(analyzer%, 11)                      'Response time to 1 sec

END SUB
REM *****
```

## Initiate Instrument

The IEC-bus status registers and instrument settings of the instrument are brought to the default status.

```

REM ----- Initiate instrument -----
Public SUB InitDevice()

CALL IBWRT(analyzer%, "*CLS")           'Reset status registers
CALL IBWRT(analyzer%, "*RST")           'Reset instrument

END SUB
REM*****

```

## Switching the Display On/Off

In the default status, all remote control commands are executed with the display switched off to achieve maximum measurement speed. During the generation of remote control programs, however, the display is often needed to check the settings programmed as well as the test results.

The functions shown below are examples of how the display can be switched on or off by remote control::

```

REM ----- Switch display on -----
Public SUB DisplayOn()
CALL IBWRT(analyzer%, "SYST:DISP:UPD ON")   'Switch display on
END SUB
REM*****

REM ----- Switch display off -----
Public SUB DisplayOff()
CALL IBWRT(analyzer%, "SYST:DISP:UPD OFF")   'Switch display off
END SUB
REM*****

```

## Configuring Power Save Function (Display Permanently Switched Off)

The results on the screen are often not required during IEC/IEEE-bus operation. Although the command "SYSTEM:DISPlay:UPDate OFF" switches off the display of results, which brings considerable advantages in terms of speed in the remote control mode, the display itself and in particular the backlighting remain switched on.

To switch the display off use the power save function, the response time having to be set in minutes prior to activation.

**Note:** *The display is switched on as soon as a key is pressed on the instrument front panel.*

```
REM ----- Configure power save function -----
Public SUB PowerSave()

CALL IBWRT(analyzer%, "SYSTEM:PSAVE:HOLDoff 1") 'Set holdoff to 1 minute
CALL IBWRT(analyzer%, "SYSTEM:PSAVE ON")      'Power save function on
END SUB
REM*****
```

## Transmission of Simple Instrument Setting Commands

Center frequency, span, and reference level of the instrument are set in this example.

```
REM ----- Instrument setting commands -----
PUBLIC SUB SimpleSettings()

CALL IBWRT(analyzer%, "FREQUENCY:CENTER 128MHZ") 'Center frequency 128 MHz
CALL IBWRT(analyzer%, "FREQUENCY:SPAN 10MHZ")   'Span 10 MHz
CALL IBWRT(analyzer%, "DISPLAY:TRACE:Y:RLEVEL -10dBm")
                                                    'Reference level -10dBm
END SUB
REM *****
```

## Return to Manual Control

```
REM ----- Switch instrument over to manual control -----
CALL IBLOC(analyzer%) 'Set instrument to Local state
REM *****
```



## Reading Out Instrument Settings

The settings made in the above example are read out using the abbreviated commands.

```

REM ----- Reading out instrument settings -----
PUBLIC SUB ReadSettings()

CFfrequency$ = SPACE$(20)           'Provide text variables (20 characters)
CALL IBWRT(analyzer%, "FREQ:CENT?") 'Request center frequency
CALL IBRD(analyzer%, CFfrequency$)  'Read value

CFspan$ = SPACE$(20)                'Provide text variables (20 characters)
CALL IBWRT(analyzer%, "FREQ:SPAN?") 'Query span
CALL IBRD(analyzer%, CFspan$)       'Read value

RLevel$ = SPACE$(20)                'Provide text variables (20 characters)
CALL IBWRT(analyzer%, "DISP:TRAC:Y:RLEV?")
                                     'Query reference level
CALL IBRD(analyzer%, RLevel$)       'Read value

REM ----- Display values on the screen -----
PRINT "Center frequency: "; CFfrequency$,
PRINT "Span:                "; CFspan$,
PRINT "Reference level:    "; RLevel$,
REM*****

```

## Positioning Markers and Displaying Values

```

REM ----- Examples of marker functions -----
PUBLIC SUB ReadMarker()

CALL IBWRT(analyzer%, "CALC:MARKER ON;MARKER:MAX")
                                     'Activate marker1 and start peak search
MKmark$ = SPACE$(30)                 'Provide text variables (30 characters)
CALL IBWRT(analyzer%, "CALC:MARK:X?;Y?") 'Query frequency and level
CALL IBRD(analyzer%, MKmark$)         'Read value

REM ----- Display values on the screen -----
PRINT "Center frequency / level "; MKmark$,
REM *****

```

## Command Synchronization

The possibilities for synchronization implemented in the following example are described in Chapter 5, Section "Command Order and Command Synchronization".

```

REM ----- Examples of command synchronization -----
PUBLIC SUB SweepSync()

REM The command INITiate[:IMMediate] starts a single sweep if the command
REM INIT:CONT OFF was previously sent. It has to be ensured that the next
REM command is only executed when the entire sweep is complete.

CALL IBWRT(analyzer%, "INIT:CONT OFF")

REM ----- First possibility: Use of *WAI -----
CALL IBWRT(analyzer%, "ABOR;INIT:IMM; *WAI")

REM ----- Second possibility: Use of *OPC? -----
OpcOk$ = SPACE$(2)           'Space for *OPC? - Provide response
CALL IBWRT(analyzer%, "ABOR;INIT:IMM; *OPC?")

REM ----- The controller can operate other instruments -----
CALL IBRD(analyzer%, OpcOk$)           'Wait for "1" from *OPC?

REM ----- Third possibility: Use of *OPC -----
REM In order to be able to use the service request function in conjunction
REM with a National Instruments GPIB driver, the setting "Disable
REM Auto Serial Poll" must be changed to "yes" by means of IBCONF!
CALL IBWRT(analyzer%, "*SRE 32")       'Permit service request for ESR
CALL IBWRT(analyzer%, "*ESE 1")       'Set event enable bit for
                                         'operation complete bit
CALL IBWRT(analyzer%, "ABOR;INIT:IMM; *OPC") 'Start sweep and
                                         'synchronize to OPC
CALL WaitSRQ(boardID%,result%)       'Wait for service request
REM Continue main program.

END SUB
REM *****

```

## Service Request

The service request routine requires an extended initialization of the instrument in which the relevant bits of the transition and enable registers are set.

In order to use the service request function in conjunction with a National Instruments GPIB driver, the setting "Disable Auto Serial Poll" must be changed to "yes" by means of IBCONF.

### Initiate Service Request

REM ---- Example of initialization of the SRQ in the case of errors -----

PUBLIC SUB SetupSRQ()

```
CALL IBWRT(analyzer%, "*CLS")           'Reset status reporting system
CALL IBWRT(analyzer%, "*SRE 168")      'Permit service request for
                                        'STAT:OPER,STAT:QUES and ESR
                                        'register
CALL IBWRT(analyzer%, "*ESE 60")       'Set event enable bit for
                                        'command, execution, device-
                                        'dependent and query error
CALL IBWRT(analyzer%, "STAT:OPER:ENAB 32767") 'Set OPERation enable bit for
                                        'all events
CALL IBWRT(analyzer%, "STAT:OPER:PTR 32767") 'Set appropriate OPERation
                                        'Ptransition bits
CALL IBWRT(analyzer%, "STAT:QUES:ENAB 32767") 'Set questionable enable bits
                                        'for all events
CALL IBWRT(analyzer%, "STAT:QUES:PTR 32767") 'Set appropriate questionable
                                        'Ptransition bits
```

END SUB

REM \*\*\*\*\*

## Waiting for the Arrival of a Service Request

There are basically two methods of waiting for the arrival of a service request:

### 1. Blocking (user inputs not possible):

This method is appropriate if the waiting time until the event to be signalled by an SRQ is short (shorter than the selected timeout), if no response to user inputs is required during the waiting time, and if – as the main criterion – the event is absolutely certain to occur.

Reason:

From the time the WaitSRQ() function is called until the occurrence of the expected event, it does not allow the program to respond to mouse clicks or key entries during the waiting time. Moreover, it causes program abort if the SRQ event does not occur within the predefined timeout period.

The method is, therefore, in many cases not suitable for waiting for measurement results, especially with triggered measurements.

The following function calls are required:

```
CALL WaitSRQ(boardID%,result%)      'Wait for service request
                                     'User inputs are not possible
                                     'during the waiting time!

IF (result% = 1) THEN CALL Srq      'If SRQ is recognized =>
                                     'subroutine for evaluation
```

### 2. Non-blocking (user inputs possible):

This method is recommended if the waiting time until the event to be signalled by an SRQ is long (longer than the selected timeout), and user inputs should be possible during the waiting time, or if the event is not certain to occur. This method is, therefore, the preferable choice for waiting for the end of measurements, i.e. the output of results, especially in the case of triggered measurements.

The method necessitates a waiting loop that checks the status of the SRQ line at regular intervals and returns control to the operating system during the time the expected event has not yet occurred. In this way, the system can respond to user inputs (mouse clicks, key entries) during the waiting time.

It is advisable to employ the Hold() auxiliary function, which returns control to the operating system for a selectable waiting time (see section "Waiting Without Blocking the Keyboard or Mouse"), so enabling user inputs during the waiting time.

```
result% = 0

For i = 1 To 10                      'Abort after max. 10 loop
                                     'iterations

    CALL TestSRQ(boardID%,result%)  'Check service request line

    If (result% <> 0) Then
        CALL Srq                    'If SRQ is recognized =>
                                     'subroutine for evaluation
    Else
        Call Hold(20)               'Call hold function with
                                     '20 ms waiting time.
                                     'User inputs are possible.
    Endif

Next i

If result% = 0 Then
    PRINT "Timeout Error; Program aborted" ' Output error message
    STOP                                'Stop software
Endif
```

## Waiting Without Blocking the Keyboard and Mouse

A frequent problem with remote control programs using Visual Basic is to insert waiting times without blocking the keyboard and the mouse.

If the program is to respond to user inputs also during a waiting time, control over the program events during this time must be returned to the operating system. In Visual Basic, this is done by calling the *DoEvents* function. This function causes keyboard- or mouse-triggered events to be executed by the associated elements. For example, it allows the operation of buttons and input fields while the user waits for an instrument setting to be completed.

The following programming example describes the *Hold()* function, which returns control to the operating system for the period of the waiting time selectable in milliseconds.

```

Rem *****
Rem The waiting function below expects the transfer of the desired
Rem waiting time in milliseconds. The keyboard and the mouse remain
Rem operative during the waiting period, thus allowing desired elements
Rem to be controlled
Rem *****
Public Sub Hold(delayTime As Single)
    Start = Timer          'Save timer count on calling the function
    Do While Timer < Start + delayTime / 1000    'Check timer count
        DoEvents          'Return control to operating system
                          'to enable control of desired elements as long as
                          'timer has not elapsed
    Loop
End Sub
Rem *****

```

The waiting procedure is activated simply by calling *Hold(<Waiting time in milliseconds>)*.

## Service Request Routine

A service request is processed in the service request routine.

Note: the variables userN% and userM% must be pre-assigned usefully!

```

REM ----- Service request routine -----
Public SUB Srq()

ON ERROR GOTO noDevice           'No user existing
CALL IBRSP(analyzer%, STB%)     'Serial poll, read status byte
IF STB% > 0 THEN                 'This instrument has bits set
                                'in the STB

    SRQFOUND% = 1
    IF (STB% AND 16) > 0 THEN CALL Outputqueue
    IF (STB% AND 4) > 0 THEN CALL ErrorQueueHandler
    IF (STB% AND 8) > 0 THEN CALL Questionablestatus
    IF (STB% AND 128) > 0 THEN CALL Operationstatus
    IF (STB% AND 32) > 0 THEN CALL Esrread
END IF

noDevice:
END SUB                         'End of SRQ routine

```

```

REM *****

```

Reading out the status event registers, the output buffer and the error/event queue is effected in subroutines.

## Reading Out the Output Buffer

```

REM ----- Subroutine for the individual STB bits -----
Public SUB Outputqueue()        'Reading the output buffer

result$ = SPACE$(100)          'Make space for response
CALL IBRD(analyzer%, result$)
PRINT "Contents of Output Queue : "; result$
END SUB

REM *****

```

## Reading Out Error Messages

```

REM ----- Subroutine for reading the error queue -----
Public SUB ErrorQueueHandler()
ERROR$ = SPACE$(100)           'Make space for error variable
CALL IBWRT(analyzer%, "SYSTEM:ERROR?")
CALL IBRD(analyzer%, ERROR$)
PRINT "Error Description : "; ERROR$
END SUB
REM *****

```

## Evaluation of SCPI Status Registers

```

REM ----- Subroutine for evaluating Questionable Status Register -----
Public SUB Questionablestatus()
Ques$ = SPACE$(20)           'Preallocate blanks to text variable
CALL IBWRT(analyzer%, "STATUS:QUESTIONABLE:EVENT?")
CALL IBRD(analyzer%, Ques$)
PRINT "Questionable Status: "; Ques$
END SUB
REM *****

```

```

REM ----- Subroutine for evaluating Operation Status Register -----
Public SUB Operationstatus()
Oper$ = SPACE$(20)           'Preallocate blanks to text variable
CALL IBWRT(analyzer%, "STATUS:OPERATION:EVENT?")
CALL IBRD(analyzer%, Oper$)
PRINT "Operation Status: "; Oper$
END SUB
REM *****

```

**Evaluation of Event Status Register**

```
REM ----- Subroutine for evaluating the Event Status Register -----
Public SUB Esrread()
Esr$ = SPACE$(20)           'Preallocate blanks to text variable
CALL IBWRT(analyzer%, "*ESR?")           'Read ESR
CALL IBRD(analyzer%, Esr$)
IF (VAL(Esr$) AND 1) > 0 THEN PRINT "Operation complete"
IF (VAL(Esr$) AND 2) > 0 THEN PRINT "Request Control"
IF (VAL(Esr$) AND 4) > 0 THEN PRINT "Query Error"
IF (VAL(Esr$) AND 8) > 0 THEN PRINT "Device dependent error"
IF (VAL(Esr$) AND 16) > 0 THEN
    PRINT "Execution Error; Program aborted" ' Output error message
    STOP                                     'Stop software
    END IF
IF (VAL(Esr$) AND 32) > 0 THEN
    PRINT "Command Error; Program aborted" ' Output error message
    STOP                                     'Stop software
    END IF
IF (VAL(Esr$) AND 64) > 0 THEN PRINT "User request"
IF (VAL(Esr$) AND 128) > 0 THEN PRINT "Power on"
END SUB
REM *****
```



## More Complex Programming Examples

### Default Setting of the FSP

The following settings are an example of how to modify the default setting of the FSP. It should be noted that only some settings are necessary depending on the example of application. In particular, the settings for resolution bandwidth, video bandwidth and sweep time are often not needed since these parameters are automatically calculated in the default setting on modifying the frequency range (span). The insertion loss is also automatically calculated depending on the reference level. The level detectors are coupled to the selected trace mode in the default setting. The settings which are automatically calculated in the default setting are marked by (\*) in the following programming example.

### Setting the IEC/IEEE Bus Status Register

```

REM *****
Public Sub SetupStatusReg()

'----- IEEE 488.2 status register -----
CALL IBWRT(analyzer%,"*CLS")           'Reset Status Registers
CALL IBWRT(analyzer%,"*SRE 168")       'Enable service request
                                        'for STAT:OPER-,STAT:QUES- and
                                        'ESR registers
CALL IBWRT(analyzer%,"*ESE 61")        'Set Event Enable bit for:
                                        'Operation Complete
                                        'Command-, Execution-,Device
                                        'Dependent- and Query Error

'----- SCPI status register -----
CALL IBWRT(analyzer%,"STAT:OPER:ENAB 0") 'Disable OPERation Status Reg
CALL IBWRT(analyzer%,"STAT:QUES:ENAB 0") 'Disable Questionable Status
                                        'Register

End Sub
REM *****

```

## Default Setting for Measurements

```

REM *****
Public Sub SetupInstrument()

'----- FSP default setting -----
CALL SetupStatusReg           'Set status registers
CALL IBWRT(analyzer%,"*RST")  'Reset instrument
CALL IBWRT(analyzer%,"SYST:DISP:UPD ON") 'ON: display on
                                   'OFF: off(improved
                                   '      performance)

CALL IBWRT(analyzer%,"DISP:FORM SINGLE") 'Full screen
CALL IBWRT(analyzer%,"DISP:WIND1:SEL")  'Active screen A
CALL IBWRT(analyzer%,"INIT:CONT OFF")   'Single sweep

'----- Set frequency -----
CALL IBWRT(analyzer%,"FREQUENCY:CENTER 100MHz") 'Center frequency
CALL IBWRT(analyzer%,"FREQ:SPAN 1 MHz")        'Span

'----- Set level -----
CALL IBWRT(analyzer%,"DISP:WIND:TRAC:Y:RLEV -20dBm") 'Reference level
CALL IBWRT(analyzer%,"INP:ATT 10dB")                'Input attenuation (*)

'----- Scale y axis -----
CALL IBWRT(analyzer%,"DISP:WIND:TRAC:Y:SPAC LOG")    'Log level axis
CALL IBWRT(analyzer%,"DISP:WIND:TRAC:Y:SCAL 100dB") 'Level range
CALL IBWRT(analyzer%,"DISP:WIND:TRAC:Y:SCAL:MODE ABS") 'Absolute scaling
CALL IBWRT(analyzer%,"CALC:UNIT:POW DBM")           'Unit of y axis

'----- Trace and detector settings -----
CALL IBWRT(analyzer%,"DISP:WIND:TRAC1:MODE AVER")    'Trace1 average
CALL IBWRT(analyzer%,"AVER:TYPE VID")               'Average mode video;
                                                       '"LIN" for linear

CALL IBWRT(analyzer%,"SWE:COUN 10")                 'Sweep count
CALL IBWRT(analyzer%,"DISP:WIND:TRAC2:STAT OFF")    'Trace2 blank
CALL IBWRT(analyzer%,"DISP:WIND:TRAC3:STAT OFF")    'Trace3 blank
CALL IBWRT(analyzer%,"CALC:MATH:STAT OFF")          'Trace mathematics off

CALL IBWRT(analyzer%,"DETECTOR1 RMS")               'Detector Trace1  (*)
CALL IBWRT(analyzer%,"DET2:AUTO ON")                'Detector Trace2  (*)
CALL IBWRT(analyzer%,"DET3:AUTO ON")                'Detector Trace3  (*)

'----- Band width and sweep time -----
CALL IBWRT(analyzer%,"BAND:RES 100KHz")              'Resolution BW  (*)
CALL IBWRT(analyzer%,"BAND:VID 1MHz")               'Video bandwidth  (*)
CALL IBWRT(analyzer%,"SWE:TIM 100ms")               'Sweep time      (*)

END SUB
REM *****

```

## Using Marker and Delta Marker

### Marker Search Functions, Limitation of Search Range

The example below is based on an AM-modulated signal at 100 MHz with the following characteristics:

- Carrier signal level: -30 dBm
- AF frequency: 100 kHz
- Modulation depth: 50 %

Marker 1 and delta marker 2 are set one after the other to the highest maxima of the measurement curve and then the frequency and level are read out. The default setting of the FSP can be used for the following measurements (SetupInstrument).

REM \*\*\*\*\*

Public Sub MarkerSearch()

result\$ = Space\$(100)

CALL SetupInstrument 'Default setting

'----- Peak search without search limit -----

CALL IBWRT(analyzer%,"INIT:CONT OFF") 'Switch to single sweep

CALL IBWRT(analyzer%,"CALC:MARK:PEXC 6DB") 'Define peak excursion

CALL IBWRT(analyzer%,"CALC:MARK:STAT ON") 'Switch on Marker 1

CALL IBWRT(analyzer%,"CALC:MARK:TRAC 1") 'Assign Marker 1 to Trace 1

CALL IBWRT(analyzer%,"INIT;\*WAI") 'Perform sweep with sync

CALL IBWRT(analyzer%,"CALC:MARK:MAX;X?;Y?") 'Marker to peak; read out

CALL IBRD(analyzer%, result\$) 'frequency and level

Print "Marker 1: ";result\$

CALL IBWRT(analyzer%,"CALC:DELT2:STAT ON;MAX;MAX:LEFT")

'Switch on delta marker 2

'Peak and then Next Peak Left

CALL IBWRT(analyzer%,"CALC:DELT:MODE ABS") 'Delta marker2 frequency output  
'absolute

CALL IBWRT(analyzer%,"CALC:DELT2:X?;Y?") 'Delta marker 2 - read out  
'frequency and level

CALL IBRD(analyzer%, result\$)

Print "Delta 2: ";result\$

'----- Peak search with search limit in x direction -----

CALL IBWRT(analyzer%,"CALC:MARK:X:SLIM:STAT ON;LEFT 0Hz;RIGHT 100.05MHz")  
'Search limit on and set below  
'LF on the right side

CALL IBWRT(analyzer%,"CALC:DELT3:STAT ON;MAX;MAX:RIGHT")

'Delta marker 3 on

'Peak and then Next Peak Right

CALL IBWRT(analyzer%,"CALC:DELT3:X?;Y?") 'Delta marker 3; Read out

CALL IBRD(analyzer%, result\$) 'frequency and level, both must  
'have the value 0

Print "Delta 3: ";result\$

```

'----- Peak search with search limit in y direction -----
CALL IBWRT(analyzer%,"CALC:THR:STAT ON")
CALL IBWRT(analyzer%,"CALC:THR -35DBM")           'Threshold on and set above LF
CALL IBWRT(analyzer%,"CALC:DELT3:STAT ON;MAX;MAX:NEXT")
                                                'Delta marker 3 on
                                                'Peak and then Next Peak
                                                ' => is not found

CALL IBWRT(analyzer%,"CALC:DELT3:X:REL?;:CALC:DELT3:Y?")
CALL IBRD(analyzer%, result$)                   'Delta marker 3; read out
                                                'frequency and level, both must
                                                'have the value 0

Print "Delta 3: ";result$

'---- Set center frequency and reference level by means of markers -----
CALL IBWRT(analyzer%,"CALC:MARK2:FUNC:CENT") 'Delta marker 2 -> Marker and
                                                'center frequency = Marker 2

CALL IBWRT(analyzer%,"CALC:MARK2:FUNC:REF") 'Ref level = Marker 2
Call ibwrt(analyzer%,"INIT;*WAI")           'Perform sweep with sync

END SUB
REM *****

```

## Measuring Spurious Emissions

In transmission measurements, it is often necessary to search a large frequency range for unwanted spurious emissions.

This can be done by means of the FSP's LIST PEAKS function, which finds up to 50 peaks in a preselected frequency range and outputs them as a list. The search range can be defined both in terms of frequency and level, and the number of peaks to be found is selectable as well.

In the following example, the 10 highest peaks are to be found in a preselected frequency range. Only signals  $>-60$  dBm in a range  $\pm 400$  kHz about the center frequency are of interest, so the search range is limited accordingly. The signals found are output in the order of ascending frequency.

```

REM *****
Public Sub SpuriousSearch()

powerlist$ = Space$(1000)
freqlist$ = Space$(1000)
count$ = Space$(30)

'----- FSP default setting -----
CALL SetupInstrument           'Default setting
CALL IBWRT(analyzer%,"INIT:CONT OFF") 'Default setting

'----- Definition of search range -----
CALL IBWRT(analyzer%,"CALC:MARK:X:SLIM:STAT ON")
CALL IBWRT(analyzer%,"CALC:MARK:X:SLIM:LEFT 99.6MHz;RIGHT 100.4MHz")
                                'Activate search limit and
                                'set to  $\pm 400$  kHz about
                                'center frequency

CALL IBWRT(analyzer%,"CALC:THR:STAT ON")
CALL IBWRT(analyzer%,"CALC:THR -60DBM")
                                'Activate threshold and
                                'set to -60 dBm

'----- Activate search for spurious -----
CALL IBWRT(analyzer%,"CALC:MARK:FUNC:FPE:SORT X")
                                'Sort according to
                                'frequency
CALL IBWRT(analyzer%,"INIT;*WAI")
                                'Perform sweep with sync
CALL IBWRT(analyzer%,"CALC:MARK:FUNC:FPE 10")
                                'Search for
                                '10 highest peaks
CALL IBWRT(analyzer%,"CALC:MARK:FUNC:FPE:COUN?")
                                'Call number of
                                'peaks, check it,
CALL IBRD(analyzer%, count$)
                                'and read it in
CALL IBWRT(analyzer%,"CALC:MARK:FUNC:FPE:X?")
                                'Query and read
CALL IBRD(analyzer%, freqlist$)
                                'frequency list
CALL IBWRT(analyzer%,"CALC:MARK:FUNC:FPE:Y?")
                                'Query and read
CALL IBRD(analyzer%, powerlist$)
                                'level list
Print "# of spurious: ";count$
                                'Output number of results
Print "Frequencies: ";freqlist$
                                'Output frequency list
Print "Power: ";powerlist$
                                'Output level list

END SUB
REM *****

```

## Frequency Counting

The following example is based on a signal with a level of -30 dBm at 100 MHz. The default setting of the FSP can also be used for this measurement (SetupInstrument). The objective of frequency counting is to determine the exact frequency of the signal at 100 MHz.

```

REM *****
Public Sub MarkerCount()

result$ = Space$(100)
CALL SetupInstrument           'Default setting
'----- Measure signal frequency with frequency counter -----
CALL IBWRT(analyzer%,"INIT:CONT OFF")           'Single sweep on
CALL IBWRT(analyzer%,"CALC:MARK:PEXC 6DB")      'Peak excursion
CALL IBWRT(analyzer%,"CALC:MARK:STAT ON")       'Marker 1 on
CALL IBWRT(analyzer%,"CALC:MARK:TRAC 1")       'Assign marker 1 to trace 1
CALL IBWRT(analyzer%,"CALC:MARK:X 100MHZ")     'Set marker 1 to 100 MHz
CALL IBWRT(analyzer%,"CALC:MARK:COUNT:RES 1HZ") 'Frequency counter 1 Hz
CALL IBWRT(analyzer%,"CALC:MARK:COUNT ON")    'frequency counter on
CALL IBWRT(analyzer%,"INIT;*WAI")             'Perform sweep with sync
CALL IBWRT(analyzer%,"CALC:MARK:COUNT:FREQ?") 'Query measured frequency
CALL IBRD(analyzer%, result$)                 'and read it out

Print "Marker Count Freq: ";result$

END SUB
REM *****

```

## Operation with Fixed Reference Point (Reference Fixed)

The following example is based on a signal with a level of  $-20$  dBm at 100 MHz. The harmonics of the signal lie at 200 MHz, 300 MHz, etc. In the presence of high-quality signal sources these harmonics may be outside the dynamic range of the FSP. In order to measure harmonic suppression, however, the level must be set to higher sensitivity for measuring the harmonics; the carrier has to be suppressed by a notch filter to avoid overloading the FSP RF input.

In the following example, two measurements are therefore performed with different level settings, first with a high reference level at the carrier frequency and then with a low reference level at the frequency of the 3<sup>rd</sup> harmonic.

The default setting of the FSP for measurements (SetupInstrument) is used as starting point and adaptations are then made for the measurement.

```

REM *****
Public Sub RefFixed()

result$ = Space$(100)
CALL SetupInstrument           'Default setting

'----- Measure the reference point -----
CALL IBWRT(analyzer%,"INIT:CONT OFF")           'Single sweep
CALL IBWRT(analyzer%,"CALC:MARK:PEXC 6DB")      'Peak Excursion
CALL IBWRT(analyzer%,"CALC:MARK:STAT ON")       'Marker1 on
CALL IBWRT(analyzer%,"CALC:MARK:TRAC 1")       'Assign Marker 1 to Trace 1
CALL IBWRT(analyzer%,"INIT;*WAI")              'Perform sweep with sync
CALL IBWRT(analyzer%,"CALC:MARK:MAX")          'Set Marker1 to 100 MHz
CALL IBWRT(analyzer%,"CALC:DELT:FUNC:FIX ON")   'Reference fixed

'-----Setting frequency, level and bandwidth for harmonic measurement -----
CALL IBWRT(analyzer%,"FREQ:CENT 400MHz;Span 1MHz") 'Set freq. of 3rd harmonic
CALL IBWRT(analyzer%,"BAND:RES 1kHz")          'and appropriate RBW
CALL IBWRT(analyzer%,"SWEEP:TIME:AUTO ON")     'Couple sweep time
CALL IBWRT(analyzer%,"INP:ATT:AUTO ON")       'Optimize level
CALL IBWRT(analyzer%,"DISP:WIND:TRAC:Y:RLEV -50dBm")
CALL IBWRT(analyzer%,"INIT;*WAI")             'Perform sweep with sync
CALL IBWRT(analyzer%,"CALC:DELT:MODE REL")     'Delta marker frequency
                                           'relative
CALL IBWRT(analyzer%,"CALC:DELT:MAX;X?;Y?")   'Read out delta marker
Call ibrd(analyzer%, result$)                 'Read out frequency and level

Print "Deltamarker 1: "; result$

END SUB

REM *****

```

## Phase and Phase Noise Measurement

During phase noise measurement the noise power referred to 1 Hz is brought into proportion to the power of an adjacent carrier signal. The spacing often used between the measured frequency and the carrier frequency is 10 kHz.

For the noise measurement the measured absolute level is referred to a bandwidth of 1 Hz.

The following example is again based on a signal with a level of  $-30$  dBm at 100 MHz. Two markers are used to determine the noise and the phase noise at an offset of 10 kHz from the carrier signal.

```

REM *****
Public Sub Noise()

result$ = Space$(100)

'----- FSP default setting -----
CALL SetupStatusReg           'Configure status register
CALL IBWRT(analyzer%,"*RST")  'Reset instrument
CALL IBWRT(analyzer%,"INIT:CONT OFF") 'Single sweep

'----- Set frequency -----
CALL IBWRT(analyzer%,"FREQUENCY:CENTER 100MHz") 'Center frequency
CALL IBWRT(analyzer%,"FREQ:SPAN 100 kHz")      'Span

'----- Set level -----
CALL IBWRT(analyzer%,"DISP:WIND:TRAC:Y:RLEV -20dBm") 'Reference level
CALL IBWRT(analyzer%,"INIT;*WAI")                  'Perform sweep with sync

'----- Set reference point -----
CALL IBWRT(analyzer%,"CALC:MARK:PEXC 6DB")        'Peak excursion
CALL IBWRT(analyzer%,"CALC:MARK:STAT ON")         'Marker 1 on
CALL IBWRT(analyzer%,"CALC:MARK:TRAC 1")         'Assign marker1 to tracel
CALL IBWRT(analyzer%,"CALC:MARK:MAX")            'Set marker1 to 100 MHz
CALL IBWRT(analyzer%,"CALC:DELT:FUNC:PNO ON")     'Define phase noise
                                                    'reference point

'----- Measure phase noise -----
CALL IBWRT(analyzer%,"CALC:DELT:X 10kHz")         'Set delta marker
CALL IBWRT(analyzer%,"CALC:DELT:FUNC:PNO:RES?") 'Read out result of
Call ibrd(analyzer%, result$)                    'phase noise meas.
Print "Phase Noise [dBc/Hz]: "; result$

'----- Measure noise -----
CALL IBWRT(analyzer%,"CALC:MARK:X 99.96MHz")     'Set Marker 1
CALL IBWRT(analyzer%,"CALC:MARK:FUNC:NOIS:RES?") 'Read out result
Call ibrd(analyzer%, result$)
Print "Noise [dBm/Hz]: "; result$

END SUB

REM *****

```



## Shape Factor Measurement (using n dB down)

The n-dB-down function of the FSP is used twice to determine the shape factor of a filter (ratio of bandwidths at 60 dB and 3 dB below the filter maximum).

The following example is again based on a signal with a level of -30 dBm at 100 MHz. The shape factor is determined for the 30 kHz resolution bandwidth. The default setting of the FSP is used for measurements (SetupInstrument).

```

REM *****
Public Sub ShapeFactor()

result$ = Space$(100)

'----- FSP default setting -----
CALL SetupInstrument           'Default setting
CALL IBWRT(analyzer%,"INIT:CONT OFF") 'Single sweep

'----- Set frequency -----
CALL IBWRT(analyzer%,"FREQ:SPAN 1MHz") 'Span
CALL IBWRT(analyzer%,"BAND:RES 30kHz") 'Resolution bandwidth
CALL IBWRT(analyzer%,"INIT;*WAI") 'Perform sweep with sync

'----- Measure 60 dB value -----
CALL IBWRT(analyzer%,"CALC:MARK:PEXC 6DB") 'Peak excursion
CALL IBWRT(analyzer%,"CALC:MARK:STAT ON") 'Marker1 on
CALL IBWRT(analyzer%,"CALC:MARK:TRAC 1") 'Assign marker1 to trace1
CALL IBWRT(analyzer%,"CALC:MARK:MAX") 'Set marker1 to 100 MHz

CALL IBWRT(analyzer%,"CALC:MARK:FUNC:NDBD 60dB") 'Read out bandwidth measured
CALL IBWRT(analyzer%,"CALC:MARK:FUNC:NDBD:RES?") 'at 60 dB
CALL IBRD(analyzer%,result$)

result60 = Val(result$)

'----- Measure 3 dB Down value -----
CALL IBWRT(analyzer%,"CALC:MARK:FUNC:NDBD 3dB") 'Read out bandwidth measured
CALL IBWRT(analyzer%,"CALC:MARK:FUNC:NDBD:RES?") 'at 60 dB
CALL IBRD(analyzer%,result$)

result3 = Val(result$)

'----- Read out shape factor-----
Print "Shapefaktor 60dB/3dB: ";result60/result3

END SUB
REM *****

```

## Measuring the Third Order Intercept Point

The third order intercept point (TOI) is the (virtual) level of two adjacent useful signals at which the intermodulation products of third order have the same level as the useful signals.

The intermodulation product at  $f_{S2}$  is obtained by mixing the first harmonic of the useful signal  $P_{N2}$  with signal  $P_{N1}$ , the intermodulation product at  $f_{S1}$  by mixing the first harmonic of the useful signal  $P_{N1}$  with signal  $P_{N2}$ .

$$f_{S1} = 2 \times f_{n1} - f_{n2} \text{ (1)}$$

$$f_{S2} = 2 \times f_{n2} - f_{n1} \text{ (2)}$$

The following example is based on two adjacent signals with a level of -30 dBm at 100 MHz and 110 MHz. The intermodulation products lie at 90 MHz and 120 MHz according to the above formula. The frequency is set so that the examined mixture products are displayed in the diagram. Otherwise, the default setting of the FSP is used for measurements (SetupInstrument).

```

REM *****
Public Sub TOI()

result$ = Space$(100)

'----- FSP default setting -----
CALL SetupStatusReg           'Set status registers
CALL IBWRT(analyzer%,"*RST")  'Reset instrument
CALL IBWRT(analyzer%,"INIT:CONT OFF") 'Single sweep
CALL IBWRT(analyzer%,"SYST:DISP:UPD ON") 'ON: display on
                                      'OFF: off

'----- Set frequency -----
CALL IBWRT(analyzer%,"FREQ:START 85MHz;STOP 125 MHz") 'Span

'----- Set level -----
CALL IBWRT(analyzer%,"DISP:WIND:TRAC:Y:RLEV -20dBm") 'Reference level
CALL IBWRT(analyzer%,"INIT;*WAI") 'Perform sweep with sync

'----- TOI measurement -----
CALL IBWRT(analyzer%,"CALC:MARK:PEXC 6DB") 'Peak excursion
CALL IBWRT(analyzer%,"CALC:MARK:FUNC:TOI ON") 'Switch on TOI measurement
CALL IBWRT(analyzer%,"CALC:MARK:FUNC:TOI:RES?") 'and read out results
CALL IBRD(analyzer%,result$)

'----- Read out result -----
Print "TOI [dBm]: ";result$

END SUB

REM *****

```

## Measuring the AM Modulation Depth

The example below is based on an AM-modulated signal at 100 MHz with the following characteristics:

- Carrier signal level: -30 dBm
- AF frequency: 100 kHz
- Modulation depth: 50 %

The default setting of the analyzer for measurements can be used for the measurements described below (SetupInstrument).

```

REM *****
Public Sub AMMod()

result$ = Space$(100)
CALL SetupInstrument           'Default setting

'----- Peak search -----
CALL IBWRT(analyzer%,"INIT:CONT OFF")      'Single sweep
CALL IBWRT(analyzer%,"INIT;*WAI")         'Perform sweep with sync

CALL IBWRT(analyzer%,"CALC:MARK:PEXC 6DB")  'Peak excursion
CALL IBWRT(analyzer%,"CALC:MARK:STAT ON")   'Marker 1 on
CALL IBWRT(analyzer%,"CALC:MARK:TRAC 1")    'Assign marker1 to tracel

'----- Measure modulation depth-----
CALL IBWRT(analyzer%,"CALC:MARK:MAX;FUNC:MDEP ON") 'Marker to Peak;
CALL IBWRT(analyzer%,"CALC:MARK:FUNC:MDEP:RES?")  'Measure mod. depth
CALL IBRD(analyzer%, result$)                    'Read out result

'----- Read out result -----
Print "AM Mod Depth [%]: ";result$

END SUB
REM *****

```

## Limit Lines and Limit Test

The example below shows the definition and use of a new limit line 5 for trace 1 on screen A and trace 2 on screen B with the following characteristics:

- Upper limit line
- Absolute x axis in the frequency range
- 5 reference values: 120 MHz / -70 dB, 126 MHz/-40 dB, 127 MHz/-40 dB, 128 MHz/-10 dB, 129 MHz/-40 dB, 130 MHz/-40 dB, 136 MHz / -70 dB
- Relative y axis with unit dB
- Absolute threshold at -75 dBm
- No margin

The signal of the integrated calibration source (128 MHz, -30 dBm) is used to check the limit test.

```

REM *****
Public Sub LimitLine()

result$ = Space$(100)

'----- FSP default setting -----
CALL SetupInstrument           'Default setting
CALL IBWRT(analyzer%,"FREQUENCY:CENTER 128MHZ;Span 10MHZ")'Span
Call ibwrt(analyzer%,"Diag:Serv:Inp Cal;CSO -30dBm")  'Cal signal on
'----- Definition of limit lines -----
CALL IBWRT(analyzer%,"CALC:LIM5:NAME 'TEST1'")        'Define name
CALL IBWRT(analyzer%,"CALC:LIM5:COMM 'Upper limit'")  'Define comment
CALL IBWRT(analyzer%,"CALC1:LIM5:TRAC 1")            'Assign trace in screen A
CALL IBWRT(analyzer%,"CALC2:LIM5:TRAC 2")            'Assign trace in screen B
CALL IBWRT(analyzer%,"CALC:LIM5:CONT:DOM FREQ")      'Define x axis range
CALL IBWRT(analyzer%,"CALC:LIM5:CONT:MODE ABS")      'Define x axis scaling
CALL IBWRT(analyzer%,"CALC:LIM5:UNIT DB")            'Define y axis unit
CALL IBWRT(analyzer%,"CALC:LIM5:UPP:MODE REL")       'Define y axis scaling
'----- Definition of data points and threshold -----
xlimit$ = "CALC:LIM5:CONT 120MHZ,126MHZ,127MHZ,128MHZ,129MHZ,130MHZ,136MHZ"
CALL IBWRT(analyzer% , xlimit$)                      'Set values for x axis
CALL IBWRT(analyzer%,"CALC:LIM5:UPP -70,-40,-40,-20,-40,-40,-70")
                                                    'Set values for y axis

CALL IBWRT(analyzer%,"CALC:LIM5:UPP:THR -75DBM")     'Set y threshold (only
                                                    'possible for relative
                                                    'y axis)
'-----
'A margin or an x /y offset can be defined here.

'----- Activate and evaluate the limit line in screen A -----
CALL IBWRT(analyzer%,"CALC1:LIM5:UPP:STAT ON")      'Activate line 5 in screen A
CALL IBWRT(analyzer%,"CALC1:LIM5:STAT ON")          'Activate limit check in
                                                    'screen A

CALL IBWRT(analyzer%,"INIT;*WAI")                   'Perform sweep with sync

```

```

CALL IBWRT(analyzer%,"CALC1:LIM5:FAIL?")      'Query result of limit
                                              'check
CALL IBRD(analyzer%, result$)                'Result: 1 (= FAIL)
'----- Read out result -----
Print "Limit Result Line 5: ";result$

'----- Evaluate limit line in screen A by means of status register -----
CALL IBWRT(analyzer%,"*CLS")                  'Reset status register
'----- Measure -----
CALL IBWRT(analyzer%,"INIT;*OPC")            'Perform sweep with sync
CALL WaitSRQ(boardID%,status%)              'Wait for service request
'----- Read out result -----
IF (status% = 1) THEN
    CALL IBWRT(analyzer%,"STAT:QUES:LIM1:COND?") 'Read out STAT:QUES:LiMit
    CALL IBRD(analyzer%, result$)              'register
    IF ((Val(result$) And 16) <> 0) THEN
        Print "Limit5 failed"
    ELSE
        Print "Limit5 passed"
    END IF
END IF
END SUB
REM *****

```

## Measuring the Channel and Adjacent Channel Power

In the following example, the channel and adjacent channel power is first measured on a signal with a level of 0 dBm at 800 MHz to IS95. Then the channel and adjacent channel power is measured on a GSM signal at 935.2 MHz with fast ACP measurement (FAST ACP).

In addition, the limit test is activated.

```

REM *****
Public Sub ACP()

result$ = Space$(100)

'----- FSP default setting -----
CALL SetupStatusReg           'Set status register
CALL IBWRT(analyzer%,"*RST")   'Reset instrument
CALL IBWRT(analyzer%,"INIT:CONT OFF") 'Single sweep
CALL IBWRT(analyzer%,"SYST:DISP:UPD ON") 'ON: display on
                                      'OFF: off

'----- Set frequency -----
CALL IBWRT(analyzer%,"FREQ:CENT 800MHz") 'Set frequency

'----- Set level -----
CALL IBWRT(analyzer%,"DISP:WIND:TRAC:Y:RLEV 10dBm") 'Reference level

'----- Example 1: Configure CP/ACP for CDMA -----
CALL IBWRT(analyzer%,"CALC2:MARK:FUNC:POW:SEL ACP") 'ACP measurement on
CALL IBWRT(analyzer%,"CALC:MARK:FUNC:POW:PRES F8CDMA") 'Select CDMA800 FWD
CALL IBWRT(analyzer%,"SENS:POW:ACH:ACP 2") 'Select 2 adjacent channels
CALL IBWRT(analyzer%,"SENS:POW:ACH:PRES ACP") 'Optimize settings
CALL IBWRT(analyzer%,"SENS:POW:ACH:PRES:RLEV") 'Optimize reference level
CALL IBWRT(analyzer%,"SENS:POW:ACH:MODE ABS") 'Absolute measurement
CALL IBWRT(analyzer%,"SENS:POW:HSP ON") 'Fast ACP measurement

'----- Perform measurement and query results -----
CALL IBWRT(analyzer%,"INIT;*WAI") 'Perform sweep with sync
CALL IBWRT(analyzer%,"CALC2:MARK:FUNC:POW:RES? ACP") 'Query result
CALL IBRD(analyzer%, result$)

'----- Read out result -----
Print "Result (CP, ACP low, ACP up, Alt low, Alt up): "
Print result$

```

```

'----- Example 2: Configure CP/ACP manually for GSM -----
result$ = Space$(100)
CALL IBWRT(analyzer%,"FREQ:CENT 935.2MHz")      'Set frequency
CALL IBWRT(analyzer%,"CALC:MARK:FUNC:POW:SEL ACP") 'ACP measurement on
CALL IBWRT(analyzer%,"SENS:POW:ACH:ACP 1")      '1 adjacent channel
CALL IBWRT(analyzer%,"SENS:POW:ACH:BAND 200KHZ") 'Channel bandw. 200 kHz
CALL IBWRT(analyzer%,"SENS:POW:ACH:BAND:ACH 200KHZ") 'Adjacent channel band-
                                                    'width 200 kHz
CALL IBWRT(analyzer%,"SENS:POW:ACH:SPAC 200KHZ") 'Channel spacing 200 kHz
CALL IBWRT(analyzer%,"SENS:POW:ACH:PRES ACP")   'Optimize settings
CALL IBWRT(analyzer%,"SENS:POW:ACH:PRES:RLEV")  'Optimize reference level
CALL IBWRT(analyzer%,"SENS:POW:ACH:MODE ABS")   'Absolute measurement

'----- Start measurement and query result -----
CALL IBWRT(analyzer%,"INIT;*WAI")              'Perform sweep with sync
CALL IBWRT(analyzer%,"CALC:MARK:FUNC:POW:RES? ACP") 'Query result
CALL IBRD(analyzer%, result$)

'----- Read out result -----
Print "Result (CP, ACP low, ACP up): "
Print result$

'----- Active limit check -----
result$ = Space$(100)
CALL IBWRT(analyzer%,"CALC:LIM:ACP:ACH 30DB, 30DB") 'Set relative limit
CALL IBWRT(analyzer%,"CALC:LIM:ACP:ACH:ABS -35DBM,-35DBM")
                                                    'Set absolute limit
CALL IBWRT(analyzer%,"CALC:LIM:ACP:ACH:STAT ON")   'Rel. limit check on
CALL IBWRT(analyzer%,"CALC:LIM:ACP:ACH:ABS:STAT ON") 'Abs. limit check on
CALL IBWRT(analyzer%,"CALC:LIM:ACP ON")            'Limit check on

'----- Start measurement and query result -----
CALL IBWRT(analyzer%,"INIT;*WAI")              'Perform sweep with
sync
CALL IBWRT(analyzer%,"CALC:LIM:ACP:ACH:RES?")     'Query result of
CALL IBRD(analyzer%, result$)                   'limit check

'----- Read out result -----
Print "Result Limit Check: ";result$

END SUB
REM *****

```

## Occupied Bandwidth Measurement

In the following example, the bandwidth is to be found in which 95% of the power of a GSM signal is contained. Signal frequency is 935,2 MHz; channel bandwidth is 200 kHz.

```

REM *****
Public Sub OBW()

result$ = Space$(100)

'----- FSP default setting -----
CALL SetupStatusReg           'Set status register
CALL IBWRT(analyzer%,"*RST")  'Reset instrument
CALL IBWRT(analyzer%,"INIT:CONT OFF") 'Single sweep
CALL IBWRT(analyzer%,"SYST:DISP:UPD ON") 'ON: display on
                                      'OFF: off

'----- Configure FSP for OBW for GSM -----
CALL IBWRT(analyzer%,"FREQ:CENT 935.2MHz")           'Set frequency
CALL IBWRT(analyzer%,"CALC:MARK:FUNC:POW:SEL OBW")  'OBW measurement on
CALL IBWRT(analyzer%,"SENS:POW:ACH:BAND 200KHZ")    'Channel bandw. 200 kHz
CALL IBWRT(analyzer%,"SENS:POW:BWID 95PCT")         'Percentage of power
CALL IBWRT(analyzer%,"SENS:POW:ACH:PRES OBW")       'Set frequency and
CALL IBWRT(analyzer%,"SENS:POW:ACH:PRES:RLEV")      'optimize reference level
CALL IBWRT(analyzer%,"SENS:POW:NCOR OFF")           'Noise correction
                                      'OFF: switch off
                                      'ON:  switch on

'----- Perform measurement and query results -----
CALL IBWRT(analyzer%,"INIT;*WAI")                   'Perform sweep with sync
CALL IBWRT(analyzer%,"CALC:MARK:FUNC:POW:RES? OBW") 'Query result
CALL IBRD(analyzer%, result$)

Print result$

END SUB

REM *****

```



## Time Domain Power Measurement

In the following example, the mean carrier power of a signal with 300 kHz bandwidth at 100 MHz is to be determined. In addition, the peak power, the rms value and the standard deviation are measured. To do this, the time-domain-power measurement functions are used.

```

REM *****
Public Sub TimeDomainPower()

result$ = Space$(100)

'----- FSP default setting -----
CALL SetupStatusReg           'Set status register
CALL IBWRT(analyzer%,"*RST")  'Reset instrument
CALL IBWRT(analyzer%,"INIT:CONT OFF") 'Single sweep
CALL IBWRT(analyzer%,"SYST:DISP:UPD ON") 'ON: display on
                                      'OFF: off

'----- Configure FSP for time domain power measurement -----
CALL IBWRT(analyzer%,"FREQ:CENT 100MHz;SPAN 0Hz") 'Set frequency
CALL IBWRT(analyzer%,"BAND:RES 300kHz")          'Resolution bandwidth
CALL IBWRT(analyzer%,"SWE:TIME 200US")          'Sweep time

CALL IBWRT(analyzer%,"CALC:MARK:FUNC:SUMM:PPE ON") 'Peak measurement on
CALL IBWRT(analyzer%,"CALC:MARK:FUNC:SUMM:MEAN ON") 'Mean measurement on
CALL IBWRT(analyzer%,"CALC:MARK:FUNC:SUMM:RMS ON") 'RMS measurement on
CALL IBWRT(analyzer%,"CALC:MARK:FUNC:SUMM:SDEV ON") 'Standard deviation on

'----- Perform measurement and query results -----
CALL IBWRT(analyzer%,"INIT;*WAI")                'Perform sweep with sync

query$ = " CALC:MARK:FUNC:SUMM:PPE:RES?;"        'Query results:
query$ = query$ + " :CALC:MARK:FUNC:SUMM:MEAN:RES?;" 'Peak measurement
query$ = query$ + " :CALC:MARK:FUNC:SUMM:RMS:RES?;" 'Mean measurement
query$ = query$ + " :CALC:MARK:FUNC:SUMM:SDEV:RES?;" 'RMS measurement
Call IBWRT(analyzer%, query$)                   'Standard deviation

CALL IBRD(analyzer%, result$)

Print result$

END SUB

REM *****

```

## Fast Power Measurement on Power Ramps

A frequent task in mobile radio tests is measurement of a DUT at various power control levels at the highest possible speed. The FSP offers two test functions for this task, which can be used depending on the signal characteristics.

In the following, the two methods are presented by means of two examples.

### Power Measurement with Multi-Summary Marker

The multi-summary marker function is suitable for measuring the power of a sequence of pulses with the following characteristics:

- The pulses occur at identical time intervals, which is typical of GSM transmission in slots, for example.
- The level of the first signal is reliably above threshold.
- The subsequent pulses may have any levels.

The function uses the first pulse as a trigger signal. The power of the subsequent pulses is determined exclusively via the timing pattern selected for the pulse sequence. The function is, therefore, suitable for adjustments where the DUT output power varies considerably and is not reliably above the trigger threshold.

The measurement accuracy is determined by the ratio of pulse duration to total measurement time; this should not be below 1:50.

The function always uses TRACE 1 of the selected screen.

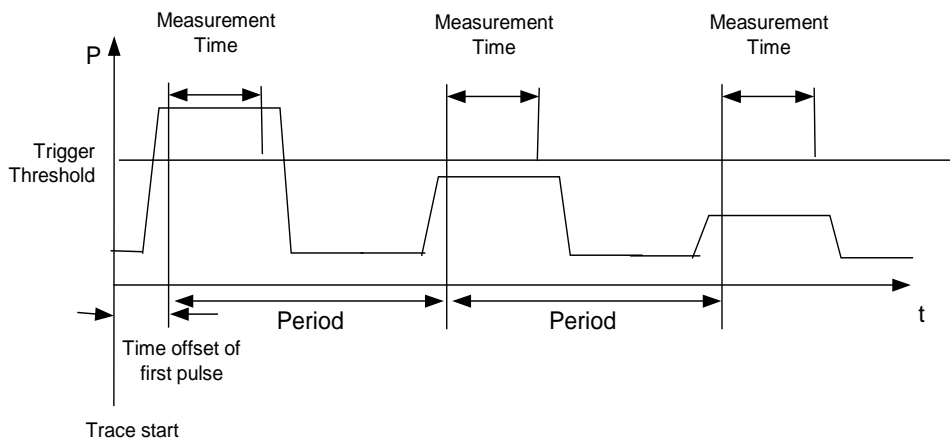


Fig. 7-1 Block diagram illustrating signal processing in analyzer

In the example below, a sequence of 8 pulses is measured with an offset of 50  $\mu\text{s}$  of the first pulse, 450  $\mu\text{s}$  measurement time/pulse and 576.9  $\mu\text{s}$  pulse period.

```

REM *****
Public Sub MultiSumMarker()

result$ = Space$(200)

'----- FSP default setting-----
CALL SetupStatusReg           'Configure status register
CALL IBWRT(analyzer%,"*RST")  'Reset instrument
CALL IBWRT(analyzer%,"INIT:CONT OFF") 'Single sweep mode
CALL IBWRT(analyzer%,"SYST:DISP:UPD ON") 'ON: switch display on
                                      'OFF: switch display off

'----- Configure FSP for power measurement in time domain -----
CALL IBWRT(analyzer%,"FREQ:CENT 935.2MHz;SPAN 0Hz") 'Frequency setting
CALL IBWRT(analyzer%,"DISP:WIND:TRAC:Y:RLEV 10dBm") 'Set reference level
                                                    'to 10 dB

CALL IBWRT(analyzer%,"INP:ATT 30 dB") 'Set input attenuation
                                      'to 30 dB

CALL IBWRT(analyzer%,"BAND:RES 1MHz;VID 3MHz") 'Bandwidth setting
CALL IBWRT(analyzer%,"DET RMS") 'Select RMS detector
CALL IBWRT(analyzer%,"TRIG:SOUR VID") 'Trigger source: video
CALL IBWRT(analyzer%,"TRIG:LEV:VID 50 PCT") 'Trigger threshold: 50%
CALL IBWRT(analyzer%,"SWE:TIME 50ms") 'Sweep time ≥ 1 frame

'----- Perform measurement and query results -----
CALL IBWRT(analyzer%,"INIT;*WAI") 'Perform sweep with sync
                                      'Query results:

cmd$ = "CALC:MARK:FUNC:MSUM? "
cmd$ = cmd$ + "50US," 'Offset of first pulse
cmd$ = cmd$ + "450US," 'Measurement time
cmd$ = cmd$ + "576.9US," 'Pulse period
cmd$ = cmd$ + "8" 'Number of bursts
CALL IBWRT(analyzer%,cmd$)
CALL IBRD(analyzer%, result$) 'Read results

Print result$

END SUB
REM *****

```

## Multi-Burst Power Measurement

The multi-burst power measurement function is suitable for measuring the power of a sequence of pulses with the following characteristics:

- The pulses occur at variable time intervals.
- The levels of all pulses of the sequence are reliably above the trigger threshold, or an external trigger signal is used.

The function requires one trigger event per pulse. This means that if the video trigger or the IF power trigger is used, the levels of all pulses must be above the trigger threshold.

The function is, therefore, particularly suitable for re-measuring DUTs already adjusted and whose output power is within the specified range. The measurement is optimized for minimum overhead relative to the actual measurement time.

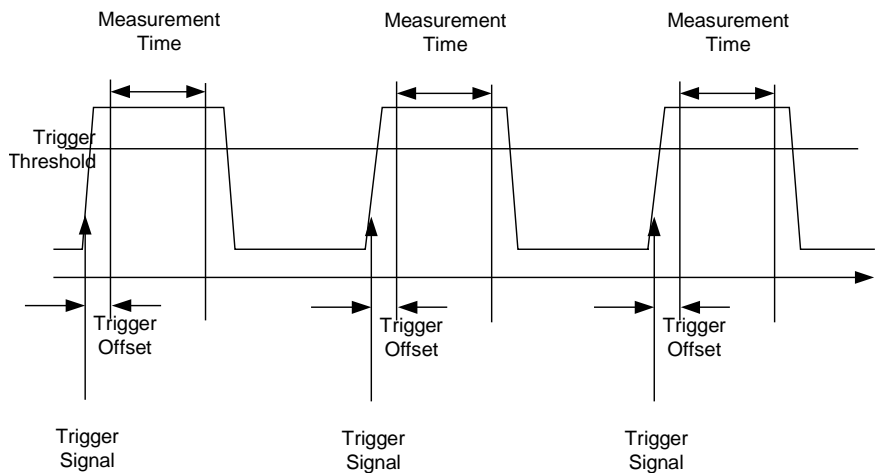


Fig. 7-2 Block diagram illustrating signal processing in analyzer

Either the root-mean-square power or the peak power is measured, depending on whether the RMS detector or the PEAK detector is selected. The function always uses TRACE 1 of the selected screen.

The following parameters are to be set for this measurement:

- Analyzer frequency
- Resolution bandwidth
- Measurement time per single pulse
- Trigger source
- Trigger threshold
- Trigger offset
- Type of power measurement (PEAK, MEAN)
- Number of pulses to be measured

During the measurement, each pulse is mapped into a pixel of the screen, i.e. any change of the trace can be detected only at the left-hand edge of the screen. Maximum measurement speed is as usual achieved with the display switched off.

In the example below, a GSM pulse sequence of 8 pulses is measured with 5  $\mu$ s trigger offset, 434  $\mu$ s measurement time/pulse, video trigger with 50% trigger threshold, and peak detection:

```

REM *****
Public Sub MultiBurstPower()

result$ = Space$(200)
'----- FSP default setting -----
CALL SetupStatusReg           'Configure status register
CALL IBWRT(analyzer%,"*RST")  'Reset instrument
CALL IBWRT(analyzer%,"INIT:CONT OFF") 'Single sweep mode
CALL IBWRT(analyzer%,"SYST:DISP:UPD OFF") 'OFF: display off
'----- Perform measurement and query results -----
cmd$ = "MPOW? "
cmd$ = cmd$ + "935.2 MHZ,"      'Center frequency
cmd$ = cmd$ + "1MHZ,"          'Resolution bandwidth
cmd$ = cmd$ + "434US,"         'Measurement time
cmd$ = cmd$ + "VID,"           'Trigger source
cmd$ = cmd$ + "50PCT,"         'Trigger threshold
cmd$ = cmd$ + "1US,"           'Trigger offset, must be > 125 ns
cmd$ = cmd$ + "PEAK,"          'Peak detector
cmd$ = cmd$ + "8"              'Number of bursts
CALL IBWRT(analyzer%, cmd$)
CALL IBRD(analyzer%, result$)  'Read results
Print result$
END SUB
REM *****

```

## Fast Level Measurement Using Frequency Lists

A typical task for the FSP is power measurement at a number of frequency points, e.g. at multiples of the fundamental (harmonics measurement), or at frequencies defined by a mobile radio standard (e.g. spectrum due to transients at  $\pm 200$  kHz,  $\pm 400$  kHz, etc about the carrier frequency of a GSM signal). In many cases, different level and/or bandwidth settings are required for the different frequency points to match the channel spacing and meet the requirements of dynamic range.

Especially for this application, the FSP offers a number of remote-control functions (commands available in SENSE:LIST subsystem) that allow level measurement based on a frequency list with different instrument settings assigned to different frequencies. Not only the frequency list can be programmed, but also the measurement types (PEAK, RMS, AVG) to be performed simultaneously can be selected.

The example below describes a harmonics measurement on a dual-band amplifier. The harmonics level in general decreases as the frequency increases. To boost measurement sensitivity, therefore, the reference level is lowered by 10 dB from the third harmonic.

The following settings are used:

Reference level: 10.00 dBm up to 2nd harmonic, 0 dBm from 3rd harmonic  
 RF attenuation: 20 dB  
 Electronic attenuation: 0 dB  
 RBW: 1 MHz  
 VBW: 3 MHz  
 Filter type: NORMal  
 Measurement time: 300  $\mu$ s  
 Trigger delay: 100  $\mu$ s  
 Trigger: video, 45 %

Frequency	Type
935.2 MHz	GSM 900 fundamental
1805.2 MHz	GSM 1800 fundamental
1870.4 MHz	GSM 900 2nd harmonic
2805.6 MHz	GSM 900 3rd harmonic
3610.4 MHz	GSM 1800 2nd harmonic
3740.8 MHz	GSM 900 4th harmonic
5815.6 MHz	GSM 1800 3rd Harmonic

The frequencies are selected in ascending order to minimize system-inherent waiting times resulting from frequency changes.

At each frequency point the peak power and the rms power are measured. The peak power and the rms power values are stored alternately in the results memory.

```

REM *****
Public Sub FrequencyList()

result$ = Space$(500)
'----- FSP default setting -----
CALL SetupStatusReg           'Configure status register
CALL IBWRT(analyzer%,"*RST")  'Reset instrument
CALL IBWRT(analyzer%,"INIT:CONT OFF") 'Single sweep mode
CALL IBWRT(analyzer%,"SYST:DISP:UPD OFF") 'Display off
'-----Configure FSP for power measurement based on frequency list -----
Call IBWRT(analyzer%, "TRIG:LEV:VID 45PCT") 'Video trigger threshold
Call IBWRT(analyzer%, "LIST:POWER:SET ON,ON,OFF,VID,POS,100us,0")
'----- Perform measurement and query results -----
cmd$ = "LIST:POWER? "
cmd$ = cmd$ + "935.2MHZ,10dBm,20dB,OFF,NORM,1MHz,3MHz,300us,0,"
cmd$ = cmd$ + "1805.2MHZ,10dBm,20dB,OFF,NORM,1MHz,3MHz,300us,0,"
cmd$ = cmd$ + "1870.4MHZ,10dBm,20dB,OFF,NORM,1MHz,3MHz,300us,0,"
cmd$ = cmd$ + "2805.6MHZ,0dBm,20dB,OFF,NORM,1MHz,3MHz,300us,0,"
cmd$ = cmd$ + "3610.4MHZ,10dBm,20dB,OFF,NORM,1MHz,3MHz,300us,0,"
cmd$ = cmd$ + "3740.8MHZ,0dBm,20dB,OFF,NORM,1MHz,3MHz,300us,0,"
cmd$ = cmd$ + "5815.6MHz,0dBm,20dB,OFF,NORM,1MHz,3MHz,300us,0"
Call IBWRT(analyzer%, cmd$)
Call IBRD(analyzer%, result$)
Print result$
END SUB
REM *****

```

## Level Correction of Transducers (Definition of Transducer Factors)

In more complex test systems, the frequency response of the test setup must be taken into account in all power measurements to avoid any measurement errors being introduced from sources other than the DUT.

The FSP offers the possibility of defining a frequency-dependent attenuation correction factor (transducer factor).

In the example below, a factor with the following characteristics is defined:

Name: Transtest  
 Unit: dB  
 Scaling: lin  
 Comment: simulated cable correction

Frequency	Level
10 MHz	0 dB
100 MHz	3 dB
1 GHz	7 dB
3 GHz	10 dB

The factor is defined and can be activated as required.

```

REM *****
Public Sub TransducerFactor()

'----- Define transducer factor -----
CALL IBWRT(analyzer%,"CORR:TRAN:SEL 'TRANSTEST'")
                                     'Define "Transtest"
                                     'transducer factor

CALL IBWRT(analyzer%,"CORR:TRAN:UNIT 'DB'") 'Unit 'dB'
CALL IBWRT(analyzer%,"CORR:TRAN:SCAL LIN")  'Linear frequency axis
CALL IBWRT(analyzer%,"CORR:TRAN:COMM 'Simulated cable correction'")

cmd$ = "CORR:TRAN:DATA "                'Enter frequency and level
cmd$ = cmd$ + "10MHz, 0,"                'values. Level values without
cmd$ = cmd$ + "100MHz, 3,"              'unit!
cmd$ = cmd$ + "1GHz, 7,"
cmd$ = cmd$ + "3GHz, 10"

CALL IBWRT(analyzer%,cmd$)                'Enter frequency and level values

'----- Activate transducer -----
CALL IBWRT(analyzer%,"CORR:TRAN:STAT ON") 'Activate transducer factor

END SUB
REM *****

```



## Reading Trace Data

In the following example, the trace data recorded together at the default setting is read out and displayed on the screen in the form of a list. Reading is performed consecutively in the binary format and in the ASCII format, at span > 0 and also at span = 0.

In the binary format the message header is evaluated with the length information and used to calculate the x axis values.

In the ASCII format only the list of level values is output.

The binary data is read out in 3 steps:

1. Reading the number of digits of the length information
2. Reading the length information
3. Reading trace data

This procedure is necessary with programming languages that support only structures with similar data types (arrays) (such as Visual Basic) since the data types of header and data differ in binary data.

```

REM *****
Public Sub ReadTrace()

'----- Define variables -----
Dim traceData(1250) As Single           'Buffer for floating point
                                        'binary data
Dim digits As Byte                     'Number of digits of
                                        'length information
Dim traceBytes As Integer               'Length of trace data in bytes
Dim traceValues As Integer              'Number of values in buffer
asciiResult$ = Space$(25000)           'Buffer for ASCII trace data
result$ = Space$(100)                   'Buffer for simple results
startFreq$ = Space$(100)                'Buffer for start frequency
span$ = Space$(100)                     'Buffer for span

'----- FSP default setting -----
CALL SetupInstrument                    'Default setting
CALL IBWRT(analyzer%,"INIT:CONT OFF")  'Single sweep
CALL IBWRT(analyzer%,"INIT;*WAI")      'Perform sweep with sync

'----- Define span for read out -----
Call ibwrt(analyzer%,"FREQ:START?")    'Read out start frequency
Call ibrd(analyzer%,startFreq$)
startFreq = Val(startFreq$)

Call ibwrt(analyzer%,"FREQ:SPAN?")     'Read out span
Call ibrd(analyzer%,span$)
span = Val(span$)

```

```

'----- Read out in binary format -----
Call ibwrt(analyzer%, "FORMAT REAL,32")      'Select binary format
Call ibwrt(analyzer%, "TRAC1? TRACE1")      'Read out trace 1
Call ilrd(analyzer%, result$, 2)            'Read out and store
digits = Val(Mid$(result$, 2, 1))          'number of digits of
                                           'length information
result$ = Space$(100)                      'Initialize buffer again
Call ilrd(analyzer%, result$, digits)       'Read out
traceBytes = Val(Left$(result$, digits))    'and store length information
Call ibrd32(analyzer%, traceData(0), traceBytes) 'Read trace data into buffer
Call ilrd(analyzer%, result$, 1)           'Read the terminator <NL>
'----- Read out binary data as pairs of frequency/level values -----
traceValues = traceBytes/4                 'Single precision = 4 bytes
stepsize = span/traceValues               'Calculate frequency step width
For i = 0 To traceValues - 1
    Print "Value["; i; "] = "; startFreq+stepsize*i; ", "; traceData(i)
Next i
'----- Time domain default setting -----
Call ibwrt(analyzer%, "FREQ:SPAN 0Hz")     Switchover to time domain
CALL IBWRT(analyzer%, "INIT;*WAI")        'Perform sweep with sync
'----- Read out in ASCII format -----
Call ibwrt(analyzer%, "FORMAT ASCII")      'Select ASCII format
CALL ibwrt(analyzer%, "TRAC1? TRACE1")    'Read out Trace 1
CALL ibrd(analyzer%, asciiResult$)
Print "Contents of Tracel: ",asciiResult$  'Output
END SUB
REM *****

```

## Measuring the Magnitude and Phase of a Signal (I/Q Data Acquisition)

Due to the FSP's internal architecture, it is capable of measuring and outputting the magnitude and phase of a signal in addition to its power values. This opens up a variety of possibilities for more in-depth analysis (FFT, demodulation, etc).

I/Q data is stored in memory areas each containing 128 k words. Hardware triggering controls the memory.

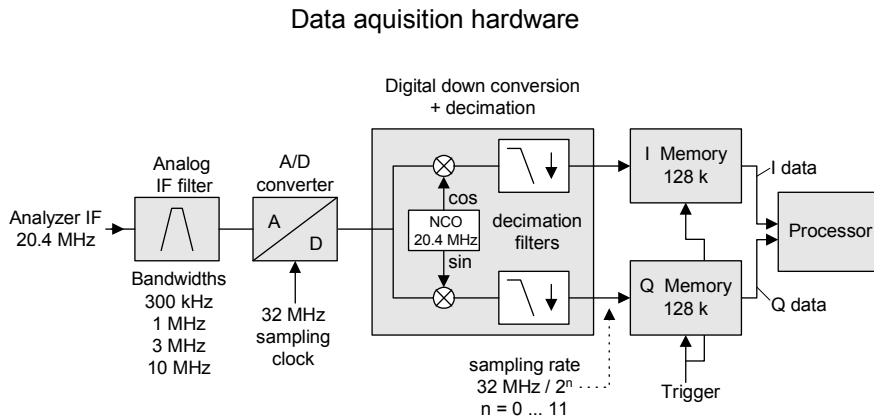


Fig. 7-3 Block diagram illustrating signal processing in the analyzer

The following maximum bandwidths are possible in this measurement depending on the selected sampling rate:

Sampling rate	Max. bandwidth	Remarks
32 MHz	9.6 MHz	
16 MHz	7.72 MHz	
8 MHz	4.8 MHz	Signals outside the specified bandwidth may be deconvoluted to the useful band due to the characteristics of the anti-aliasing filter.
4 MHz	2.8 MHz	
2 MHz	1.6 MHz	
1 MHz	800 kHz	
500 kHz	400 kHz	
250 kHz	200 kHz	
125 kHz	100 kHz	
62.5 kHz	50 kHz	
31.25 kHz	25 kHz	
15.625 kHz	12.5 kHz	

Due to the instrument's sampling concept (21.4 MHz IF, 32 MHz sampling rate), the image frequency is band-limited only by the analog 10 MHz filter. For an input signal at the limit of the 10 MHz band (+ 5 MHz above center frequency), an image-frequency signal 800 kHz above the input signal would be obtained.

The image frequency in MHz is calculated as follows:

$$f_{\text{image}} = 2 \cdot (f_{\text{center}} + 5.4 \text{ MHz}) - f_{\text{signal}}$$

where

$f_{\text{image}}$  = image frequency in MHz

$f_{center}$  = center frequency in MHz

$f_{signal}$  = frequency in MHz of signal measured

For correct measurements, the RF input signal must be band-limited. Signals spaced more than 5.4 MHz from the center frequency are reflected into the passband of the 10 MHz filter.

Analog prefilters (bandwidth  $\geq 300$  kHz) are available to provide additional band-limiting of the signal measured.

The following example shows the steps necessary to collect data at a predefined sampling rate and read it from the I/Q memory.

Data is output in the form of voltage values referred to the analyzer input. Data can be read in binary or ASCII format.

In binary format, the length information carried in the message header is evaluated and used for calculating the x axis values.

In ASCII format, only a list of voltage values is output.

Binary data is read in three steps:

1. The number of digits carrying the length information is read.
2. The length information itself is read.
3. The trace data is read.

This procedure is necessary with programming languages like Visual Basic which support only structures of identical data types (arrays), whereas the binary data format uses different data types in the header and the data section.

**REM \*\*\*\*\***

**Public Sub ReadIQData()**

**'----- Create variables -----**

```
Dim IData(131072) As Single      'Buffer for floating-point
                                'I data (= 128*1024 bytes)

Dim QData(131072) As Single      'Buffer for floating-point
                                'Q data (= 128*1024 bytes)

                                'Note:
                                'Visual Basic cannot read in
                                'data volumes larger than
                                '128k words!

Dim digits As Byte              'No. of digits as length
Dim IQBytes As Long             'Length of trace data in bytes
Dim IQValues As Long            'No. of meas. values in buffer

asciiResult$ = Space$(6553600)  'Buffer for ASCII I/Q data
                                '(= 25*2*1024 bytes)

result$ = Space$(100)           'Buffer for simple results
```

**'----- Default setting -----**

```
CALL SetupInstrument            'Default setting

CALL IBWRT(analyzer%,"TRAC:IQ:STAT ON")
                                'Activate I/Q data
                                'acquisition mode; must be
                                'done before TRAC:IQ:SET !
```

```

'Select number of test points (= 128 * 1024 - 512) at RBW 10 MHz,
'sample rate 32 MHz, trigger free run, pos. trigger edge and 0 s trigger
'delay.
CALL IBWRT(analyzer%,"TRAC:IQ:SET NORM,10MHz,32MHz,IMM,POS,0,130560")

'----- Read-out in binary format-----
Call ibwrt(analyzer%, "FORMAT REAL,32")           'Set binary format
Call ibwrt(analyzer%, "TRAC:IQ:DATA?")           'Measure + read out I/Q data
Call ilrd(analyzer%, result$, 2)                 'Read and store length for
digits = Val(Mid$(result$, 2, 1))                'number of digits
result$ = Space$(100)                            'Re-initialize buffer
Call ilrd(analyzer%, result$, digits)            'Read and store length
IQBytes = Val(Left$(result$, digits))            '
IQBytes = IQBytes / 2                             'Divide no. per buffer in
half
Call ibrd32(analyzer%, IData(0), IQBytes)        'Read I data in buffer
Call ibrd32(analyzer%, QData(0), IQBytes)        'Read Q data in buffer
Call ilrd(analyzer%, result$, 1)                'Read in end character <NL>
'----- Output of binary data as frequency/level pair -----
IQValues = IQBytes/4                             'Single Precision = 4 Bytes
For i = 0 To IQValues - 1
  Print "I-Value["; i; "] = "; IData(i)
  Print "Q-Value["; i; "] = "; QData(i)
Next i
'----- Auslesen im ASCII-Format -----
Call ibwrt(analyzer%,"FORMAT ASCII")             'Set ASCII format
Call ibwrt(analyzer%, "TRAC:IQ:DATA?")           'Re-measure and read out
'I/Q data
CALL ibrd(analyzer%, asciiResult$)
CALL IBWRT(analyzer%,"TRAC:IQ:STAT OFF")          'Stop I/Q data aquisition
'mode if no further
'measurements are to be
'done

END SUB
REM *****

```

## Averaging I/Q Data

The FSP has averaging capability also for I/Q measurements, i.e. I/Q data can be averaged over several test runs. This is subject to the following conditions:

1. An external trigger signal must be available for data measurement, and the trigger signal must be phase-locked to the signal measured.
2. The same reference-frequency signal must be used for the DUT and the FSP.
3. The sampling rate must be 32 MHz, since only with this sampling frequency will the measurement be performed phase-synchronous with the trigger signal.

If all of the above conditions are fulfilled, no phase shift will occur between consecutive test runs. Phase shift may invalidate the measured average so that in extreme cases a value of 0 is obtained.

The default setting of the instrument for data measurement without averaging has to be changed as follows:

```
'----- FSP default setting -----
CALL SetupInstrument           'Default setting
CALL IBWRT(analyzer%,"TRAC:IQ:STAT ON") 'Activate I/Q data acquisition
                                   'mode; this must be
                                   'done before TRAC:IQ:SET!

'Select max. number of test points (= 128 * 1024 - 512) at 10 MHz RBW,
'S32 MHz sampling rate, external trigger, pos. trigger edge and 0 s trigger
'delay.

CALL IBWRT(analyzer%,"TRAC:IQ:SET NORM,10MHz,32MHz,EXT,POS,0,130560")
CALL IBWRT(analyzer%,"TRAC:IQ:AVER ON")      'Switch on I/Q averaging
CALL IBWRT(analyzer%,"TRAC:IQ:AVER:COUN 10") 'Set 10 test runs

'----- Read data in binary format -----
...

```

## Storing and Loading Device Settings

### Storing Instrument Settings

In the following example, the settings/measurement data to be stored are determined; only the hardware settings are stored. The selection commands for the other settings are indicated with the status OFF for the sake of completeness.

```

REM *****
Public Sub StoreSettings()

'----- FSP default setting -----
'This subroutine selects the settings to be stored and creates
'the data set "TEST1" in directory D:\USER\DATA. It uses
'the default setting and resets the instrument after storage
'of the setting.

'----- Select items to be stored -----
Call SetupInstrument
CALL IBWRT(analyzer%,"INIT:CONT OFF")           'Single sweep
CALL IBWRT(analyzer%,"INIT;*WAI")             'Perform sweep with sync

'----- Define comment -----
CALL IBWRT(analyzer%,"MMEM:SEL:HWS ON")        'Save hardware settings
CALL IBWRT(analyzer%,"MMEM:SEL:TRAC OFF")      'No storing of traces
CALL IBWRT(analyzer%,"MMEM:SEL:LIN:ALL OFF")   'Save only active limit lines

'----- Store selected items -----
CALL IBWRT(analyzer%,"MMEM:STOR:STAT 1,'D:\USER\DATA\TEST1'")

'----- Reset instrument -----
CALL IBWRT(analyzer%,"*RST")

END SUB
REM *****

```

## Loading Device Settings

In the following example, data set TEST1 stored under D:\USER\DATA is reloaded into the instrument:

```

REM *****
Public Sub LoadSettings()

'----- Default setting of status register -----
'This subroutine loads data set "TEST1" in directory D:\USER\DATA.
Call SetupStatusReg           'Configure status register
'----- Load data set -----
CALL IBWRT(analyzer%, "MMEM:LOAD:STAT 1, 'D:\USER\DATA\TEST1'")
'----Start measurement using the data set loaded -----
CALL IBWRT(analyzer%, "DISP:TRAC1:MODE WRITE") 'Set trace to Clr/Write
CALL IBWRT(analyzer%, "INIT;*WAI")           'Start the sweep
END SUB
REM *****

```

## Setting the Data Set for Startup Recall

In the following example, the FSP is first reset. Then the data set TEST1 stored under D:\USER\DATA is selected for the STARTUP RECALL function, i.e. the data set is set for every \*RST, PRESET and every device startup. For illustration, the command \*RST is executed again.

```

REM *****
Public Sub StartupRecallSettings()
'----- Reset FSP -----
CALL IBWRT(analyzer%, "*RST")
'----- Default setting of status register -----
Call SetupStatusReg           'Configure status register
'----- Select startup recall data set -----
CALL IBWRT(analyzer%, "MMEM:LOAD:AUTO 1, 'D:\USER\DATA\TEST1'")
'----- Activate startup recall data set -----
CALL IBWRT(analyzer%, "*RST")
END SUB
REM *****

```



## Reading and Writing Files

### Reading a File from the Instrument

In the following example, file TEST1.SET stored under D:\USER\DATA is read from the instrument and stored in the controller.

```

REM *****
Public Sub ReadFile()
  '----- Generate variables -----
  Dim digits As Byte           'Number of digits of
                               'length information
  Dim fileBytes As Long       'Length of file with trace data
                               'in bytes
  result$ = Space$(100)      'Buffer for simple results
  '----- Default setting of status register -----
  Call SetupStatusReg        'Configure status register
  '----- Read out file -----
  Call ibwrt(analyzer%, "MMEM:DATA? 'D:\USER\DATA\TEST1.SET'")
                               'Select file
  Call ilrd(analyzer%, result$, 2) 'Read and store number of
  digits = Val(Mid$(result$, 2, 1)) 'digits of length information
  Call ilrd(analyzer%, result$, digits) 'Read and store length
  fileBytes = Val(Left$(result$, digits)) 'information
  FileBuffer$ = Space$(fileBytes) 'Buffer for file
  Call ilrd(analyzer%, FileBuffer, fileBytes) 'Read file into buffer
  Call ilrd(analyzer%, result$, 1) 'Read terminator <NL>
  '----- Store file to controller -----
  Open "TEST1.SET" For Output As #1
  Print #1, FileBuffer;           ' ; to avoid linefeed at
                               ' end of file

  Close #1
END SUB
REM *****

```

## Creating a File on the Instrument

In the following example, the TEST1.SET file available on the controller is stored in the instrument under D:\USER\DATA\DUPLICAT.SET.

```

REM *****
Public Sub WriteFile()
  '----- Generate variables -----
  FileBuffer$ = Space$(100000)           'Buffer for file
  Dim digits As Long                     'Number of digits of
                                          'length information
  Dim fileBytes As Long                   'Length of file in bytes
  fileSize$ = Space$(100)                'Length of file as a string
  result$ = Space$(100)                  'Buffer for simple results

  '----- Default setting of status register -----
  Call SetupStatusReg                    'Configure status register

  '----- Prepare the definite length block data -----
  fileBytes = FileLen("H:\work\vb\test1.set") 'Determine length of file
  fileSize$ = Str$(fileBytes)
  digits = Len(fileSize$) - 1             'Determine number of digits of
  fileSize$ = Right$(fileSize$, digits)   'length information
  FileBuffer$ = "#" + Right$(Str$(digits), 1) + fileSize$
                                          'Store length information in
                                          'file buffer

  '----- Read file from controller -----
  Open "H:\work\vb\TEST1.SET" For Binary As #1
  FileBuffer$ = FileBuffer$ + Left$(Input(fileBytes, #1), fileBytes)
  Close #1

  '----- Write file -----
  -
  Call ibwrt(analyzer%, "SYST:COMM:GPIB:RTER EOI") 'Set receive
                                                    'terminator on the
                                                    'instrument

  Call ibwrt(analyzer%, "MMEM:DATA 'D:\USER\DATA\DUPLICAT.SET'," +
              FileBuffer$)                       'Select file

END SUB
REM *****

```

## Configuring and Starting a Printout

The following example shows the configuration of the output format and output device for printing out the measurement screen.

Proceed in the following order:

1. Set the measurement required for the printout
2. Query available output devices
3. Select an output device
4. Select the output interface
5. Configure the output format
6. Start printout with synchronization to the end

It is assumed that the setting required is a signal with a power of  $-20$  dBm at 100 MHz and that the printer required is the No. 6 of the printers available. The data is first output on the selected printer, then to a file.

```

REM *****
Public Sub HCopy()

DIM Devices(100) as string           'Buffer for printer name
FOR i = 0 TO 49
    Devices$(i) = Space$(50)         'Preallocate buffer for
                                     'printer name
NEXT i

'----- FSP default setting -----
CALL SetupStatusReg                 'Configure status register
CALL IBWRT(analyzer%,"*RST")        'Reset instrument
CALL IBWRT(analyzer%,"INIT:CONT OFF") 'Single sweep
CALL IBWRT(analyzer%,"SYST:DISP:UPD ON") 'Display on

'----- Configure measurement -----
CALL IBWRT(analyzer%,"FREQ:CENT 100MHz;SPAN 10MHz") 'Set frequency
CALL IBWRT(analyzer%,"DISP:WIND:TRAC:Y:RLEV -10dBm") 'Reference level
CALL IBWRT(analyzer%,"INIT;*WAI") 'Perform measurement

'----- Query regarding available output devices -----
CALL IBWRT(analyzer%,"SYST:COMM:PRIN:ENUM:FIRSt?") 'Read out first output
CALL IBRD(analyzer%,Devices$(0)) 'device and indicate
PRINT "Drucker 0: "+Devices$(0) 'name
For i = 1 to 99
    CALL IBWRT(analyzer%,"SYST:COMM:PRIN:ENUM:NEXT?") 'Read out the next
    CALL IBRD(analyzer%,Devices$(i)) 'printer name
    IF Left$(Devices$(i),2) = "" THEN GOTO SelectDevice 'Abort at end of
                                                'list
    PRINT "Drucker"+Str$(i)+" : " Devices$(i) 'Indicate printer name
NEXT i

```

SelectDevice:

```
'----- Select device, printer language and output interface -----
CALL IBWRT(analyzer%,"SYST:COMM:PRIN:SEL "+ Devices(6))'Select printer #6
8 CALL IBWRT(analyzer%,"HCOP:DEST 'SYST:COMM:PRIN'") 'Configuration:
                                     '"Output to
                                     'printer interface"

CALL IBWRT(analyzer%,"HCOP:DEV:LANG GDI")           'Output language 'GDI'
'----- Select orientation (portrait/landscape) and colour/BW -----
CALL IBWRT(analyzer%,"HCOP:PAGE:ORI PORTRait")      'Portrait
CALL IBWRT(analyzer%,"HCOP:DEV:COL OFF")           'Black and white

'----- Configure and start print out -----
CALL IBWRT (analyzer%,"HCOP:ITEM:ALL")              'Select complete screen
'CALL IBWRT (analyzer%,"HCOP:ITEM:WIND1:TRAC:STAT ON") 'alternative: only
'CALL IBWRT (analyzer%,"HCOP:ITEM:WIND2:TRAC:STAT ON") 'traces in
                                                         'screen A/B

CALL IBWRT (analyzer%,"*CLS")                      'Reset status registers
CALL IBWRT (analyzer%,"HCOP:IMMediate;*OPC")       'Start print out

CALL WaitSRQ(boardID%,result%)                    'Wait for service request
IF (result% = 1) THEN CALL Srq                    'If SRQ is recognized =>
                                                         'Subroutine for evaluation

'----- Print out into file in WMF format (BMP format) -----
CALL IBWRT(analyzer%,"HCOP:DEST 'MMEM'")           'Configuration:
                                                         '"Print to file"

CALL IBWRT(analyzer%,"HCOP:DEV:LANG WMF")          'File format WMF
'CALL IBWRT(analyzer%,"HCOP:DEV:LANG BMP")         'File format BMP

CALL IBWRT(analyzer%,"MMEM:NAME 'D:\USER\DATA\PRINT1.WMF'") 'Determine
                                                         'file name


CALL IBWRT (analyzer%,"*CLS")                      'Reset status registers
CALL IBWRT (analyzer%,"HCOP:IMMediate;*OPC")       'Start print out

CALL WaitSRQ(boardID%,result%)                    'Wait for service request
IF (result% = 1) THEN CALL Srq                    'If SRQ is recognized =>
                                                         'Subroutines for evaluation

END SUB

REM *****
```

# Contents - Chapter 8 "Maintenance and Instrument Interfaces"

<b>8 Maintenance and Instrument Interfaces .....</b>	<b>8.1</b>
<b>Maintenance .....</b>	<b>8.1</b>
Mechanical and Electrical Maintenance .....	8.1
Storing and Packing.....	8.1
List of Power Cables Available .....	8.1
<b>Instrument Interfaces .....</b>	<b>8.2</b>
AF Output .....	8.2
Probe Connector (PROBE POWER).....	8.2
External Keyboard (KEYBOARD) .....	8.2
IEC Bus Interface .....	8.3
Interface Characteristics.....	8.3
Bus Lines.....	8.3
Interface Functions.....	8.4
IEC Bus Messages.....	8.4
Interface Messages.....	8.5
Instrument Messages.....	8.5
Printer Interface (LPT) .....	8.6
RS-232-C Interface (COM).....	8.7
Interface Characteristics.....	8.7
Signal Lines.....	8.7
Transmission Parameters .....	8.8
Control Characters .....	8.9
Handshake .....	8.9
Monitor Connector (MONITOR).....	8.10
Noise Source Control (NOISE SOURCE) .....	8.10
External Trigger Input (EXT TRIG/GATE) .....	8.11
Mouse Connector (MOUSE).....	8.11
USB Connector (USB  .....	8.11
Reference Output/Input (REF IN and REF OUT) .....	8.11
IF Output 20.4 MHz (20.4 MHz OUT) .....	8.12
IEC 2 Interface (Option FSP-B10) .....	8.12
AUX CONTROL Interface (Option FSP-B10).....	8.12
LAN Interface.....	8.12



## 8 Maintenance and Instrument Interfaces

The FSP following chapter contains information on the maintenance of the FSP and on the instrument interfaces.

Please follow the instructions in the service manual when exchanging modules or ordering spares. The order no. for spare parts can be found in the service manual.

The address of our support center and a list of all Rohde & Schwarz service centers can be found at the beginning of this manual.

The service manual includes further information particularly on troubleshooting, repair, exchange of modules (including battery exchange, adjustment of the OCXO oscillator) and calibration.

### Maintenance

#### Mechanical and Electrical Maintenance

The FSP does not require any special maintenance. Remove any contamination on the instrument by means of a soft cloth. Make sure that the air vents are not obstructed.

#### Storing and Packing

The FSP can be stored at a temperature of  $-5^{\circ}\text{C}$  to  $+60^{\circ}\text{C}$ . When stored for an extended period of time the instrument should be protected against dust.

The original packing should be used, particularly the protective covers at the front and rear, when the instrument is to be transported or dispatched. If the original packing is no longer available, use a sturdy cardboard box of suitable size and carefully wrap the instrument to protect it against mechanical damage.

#### List of Power Cables Available

Table 8-1 List of power cables available

Stock No.	Earthed-contact connector	Preferably used in
DS 006.7013	BS1363: 1967' complying with IEC 83: 1975 standard B2	Great Britain
DS 006.7020	Type 12 complying with SEV-regulation 1011.1059, standard sheet S 24 507	Switzerland
DS 006.7036	Type 498/13 complying with US-regulation UL 498, or with IEC 83	USA/Canada
DS 006.7107	Type SAA3 10 A, 250 V, complying with AS C112-1964 Ap.	Australia
DS 0025.2365 DS 0099.1456	DIN 49 441, 10 A, 250 V, angular DIN 49 441, 10 A, 250 V, straight	Europe (except Switzerland)

## Instrument Interfaces

### AF Output

A miniature telephone jack can be used at the AF OUTPUT connector to connect an external loudspeaker, a headphone set or, e.g., a LF voltmeter. The internal resistance is 10 ohms and the output voltage can be controlled with the volume controller on the left side to the connector. When a jack is plugged in, the internal loudspeaker is automatically turned off.

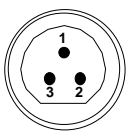


The connector is only available with option FSP-B3, AF demodulator.

### Probe Connector (PROBE POWER)

To allow the connection of probes, the FSP provides the PROBE POWER power connector. It delivers the power supply voltages +15 V and -12,6 V and ground.

The connector is also suited for powering the high-impedance probes from Hewlett Packard.

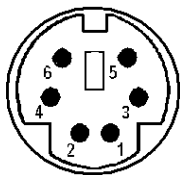


Pin	Signal
1	GND
2	-12.6 V; max 150 mA
3	+15 V; max 150 mA

Fig. 8-1 Pin assignments of PROBE POWER connector

### External Keyboard (KEYBOARD)

A 6-pin PS/2 connector is provided on the front panel to allow connecting an external keyboard. The PSP-Z1 keyboard (Order No. 1091.4000.02, German) or the PSP-Z2 (Order No. 1091.4100.02, English) is recommended (Order No. 1009.5001.31). Also they include a trackball for mouse control. However, any other multifunction keyboard may also be used.



Pin	Signal
1	KEYBOARDDATA
2	MOUSEDATA
3	GND
4	5V, KEYBOARD
5	KEYBOARDCLK
6	MOUSECLK

Fig 8-2 Pin assignments of the KEYBOARD connector.



## IEC Bus Interface

The standard instrument is equipped with an IEC/IEEE Bus connector. An IEEE 488 interface connector is located on the rear panel of the FSP. An external controller for remote control of the instrument can be connected via the IEEE 488 interface connector using a shielded cable.

### Interface Characteristics

- 8-bit parallel data transfer
- bi-directional data transfer
- three-line handshake
- high data transfer rate of max. 350 kbyte/s
- up to 15 instruments can be connected
- maximal length of the interconnecting cables 15 m (single connection, 2m)
- wired-OR connection if several instruments are connected in parallel.

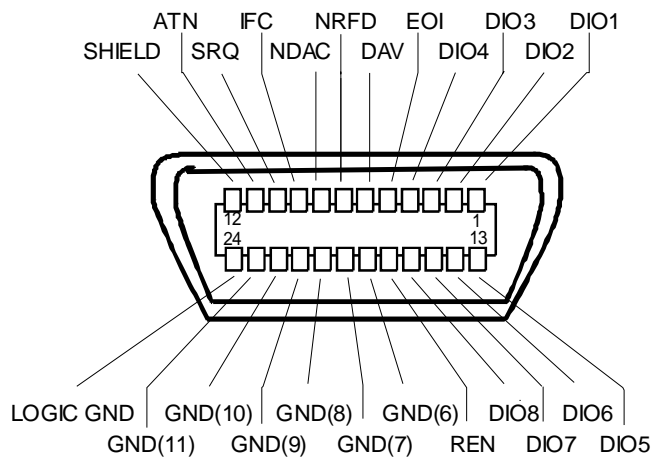


Fig. 8-3 Pin assignment of IEC-Bus interface

### Bus Lines

#### 1. Data bus with 8 lines DIO 1 to DIO 8.

The transmission is bit-parallel and byte-serial in the ASCII/ISO code. DIO1 is the least significant, DIO8 the most significant bit.

#### 2. Control bus with 5 lines.

**IFC** (Interface Clear),

active low resets the interfaces of the devices connected to the default setting.

**ATN** (Attention),

active low signals the transmission of interface messages

inactive high signals the transmission of device messages.

**SRQ (Service Request),**

active low enables a device connected to send a service request to the controller.

**REN (Remote Enable),**

active low permits the switch over to remote control.

**EOI (End or Identify),**

has two functions in connection with ATN:

active low marks the end of data transmission when ATN=high

active low triggers a parallel poll when ATN=low.

**3. Handshake bus with three lines.**

DAV (Data Valid),

active low signals a valid data byte on the data bus.

**NRFD (Not Ready For Data),**

active low signals that one of the devices connected is not ready for data transfer .

**NDAC (Not Data Accepted),**

active low as long as the device connected is accepting the data present on the data bus.

**Interface Functions**

Instruments which can be remote controlled via the IEC bus can be equipped with different interface functions. Table 8-2 lists the interface functions appropriate for the instrument.

Table 8-2 Interface functions

Control character	Interface function
SH1	Handshake source function (source handshake), full capability
AH1	Handshake sink function (acceptor handshake), full capability
L4	Listener function, full capability, unaddress if MTA.
T6	Talker function, full capability, ability to respond to serial poll, unaddress if MLA
SR1	Service request function (Service Request), full capability
PP1	Parallel poll function, full capability
RL1	Remote/Local switch over function, full capability
DC1	Reset function (Device Clear), full capability
DT1	Trigger function (Device Trigger), full capability
C0	No controller function

**IEC Bus Messages**

The messages transferred via the data lines of the IEC bus can be divided into two groups:

- **interface messages** and
- **instrument messages.**

## Interface Messages

Interface messages are transferred on the data lines of the IEC Bus when the "ATN" control line is active (LOW). They are used for communication between controller and instruments and can only be sent by the controller which currently has control of the IEC Bus.

### Universal Commands

The universal commands are encoded 10 - 1F hex. They affect all instruments connected to the bus without addressing.

Table 8-3 Universal Commands

Command	QuickBASIC command	Effect on the instrument
DCL (Device Clear)	IBCMD (controller%, CHR\$(20))	Aborts the processing of the commands just received and sets the command processing software to a defined initial state. Does not change the instrument settings.
IFC (Interface Clear)	IBSIC (controller%)	Resets the interfaces to the default setting.
LLO (Local Lockout)	IBCMD (controller%, CHR\$(17))	The LOC/IEC ADDR key is disabled.
SPE (Serial Poll Enable)	IBCMD (controller%, CHR\$(24))	Ready for serial poll.
SPD (Serial Poll Disable)	IBCMD (controller%, CHR\$(25))	End of serial poll.
PPU (Parallel Poll Unconfigure)	IBCMD (controller%, CHR\$(21))	End of the parallel-poll state.

### Addressed Commands

The addressed commands are encoded 00 - 0F hex. They are only effective for instruments addressed as listeners.

Table 8-4 Addressed Commands

Command	QuickBASIC command	Effect on the instrument
SDC (Selected Device Clear)	IBCLR (device%)	Aborts the processing of the commands just received and sets the command processing software to a defined initial state. Does not change the instrument setting.
GTL (Go to Local)	IBLOC (device%)	Transition to the "Local" state (manual control).
PPC (Parallel Poll Configure)	IBPPC (device%, data%)	Configure instrument for parallel poll. Additionally, the QuickBASIC command executes PPE/PPD.

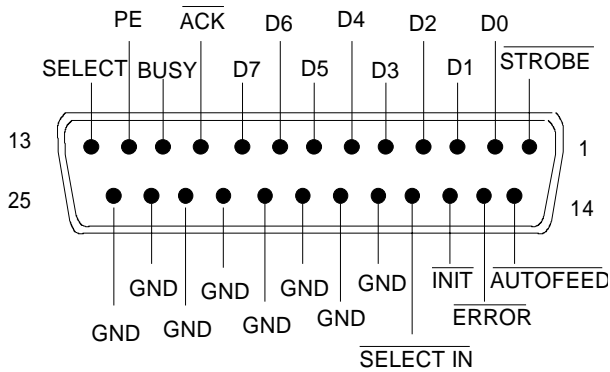
## Instrument Messages

Instrument messages are transferred on the data lines of the IEC bus when the "ATN" control line is not active. ASCII code is used.

Structure and syntax of the instrument messages are described in Chapter 5. The commands are listed and explained in detail in Chapter 6.

## Printer Interface (LPT)

The 25-pin LPT connector on the rear panel of the Fig. 8-4 is provided for the connection of a printer. The LPT interface is compatible with the CENTRONICS printer interface.



Pin	Signal	Input (I) Output (O)	Description
1	STROBE	O	Pulse for transmitting a data byte, min. 1µs pulse width (active LOW)
2	D0	O	Data Line 0
3	D1	O	Data Line 1
4	D2	O	Data Line 2
5	D3	O	Data Line 3
6	D4	O	Data Line 4
7	D5	O	Data Line 5
8	D6	O	Data Line 6
9	D7	O	Data Line 7
10	ACK	I	Indicates that the printer is ready to receive the next byte. (active LOW)
11	BUSY	I	Signal is active when the printer cannot accept data. (active HIGH)
12	PE	I	Signal is active when the paper tray is empty. (active HIGH)
13	SELECT	I	Signal is active when the printer is selected. (active HIGH)
14	AUTOFEED	O	When signal is active, the printer automatically performs a linefeed after each line. (active LOW)
15	ERROR	I	This signal is high when the printer has no paper, is not selected or has an error status. (active LOW)
16	INIT	O	Initialize the printer. (active LOW)
17	SELECT IN	O	If signal is active, the codes DC1/DC3 are ignored by the printer. (active LOW).
18 - 25	GND		Ground connection.

Fig. 8-4 Pin assignments for the LPT connector.

## RS-232-C Interface (COM)

The standard FSP is equipped with a serial interfaces (RS-232-C; COM connector at the rear of the instrument). The interface can be set up and activated manually in the *SETUP-GENERAL SETUP* menu in the *COM PORT* table (Selection *OWNER = INSTRUMENT*).

### Interface Characteristics

- Serial data transmission in asynchronous mode
- Bi-directional data transfer via two separate lines
- Transmission rate selectable from 110 to 19200 baud
- Logic '0' signal from +3 V to +15 V
- Logic '1' signal from -15 V to -3 V
- An external instrument (controller) can be connected.

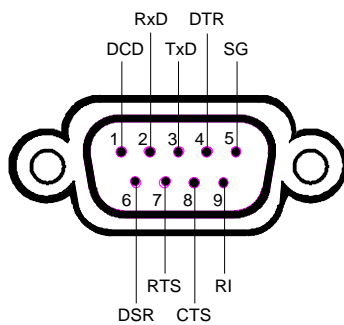


Fig. 8-5 Pin assignment of the RS-232-C interface

### Signal Lines

#### DCD (Data Carrier Detect),

*Not used in FSP.*

Input; active LOW.

Using this signal, the local terminal recognizes that the modem of the remote station receives valid signals with sufficient level. DCD is used to disable the receiver in the local terminal and prevent reading of false data if the modem cannot interpret the signals of the remote station.

#### RxD (Receive Data)

Input, LOW = logic '1', HIGH = logic '0'.

Data line, local terminal receives data from remote station.

#### TxD (Transmit Data)

Output, LOW = logic '1', HIGH = logic '0'.

Data line, local terminal transmits data to remote station.

#### DTR (Data Terminal Ready),

Output, active LOW,

Indicates that the local terminal is ready to receive data.

#### GND

Interface ground, connected to instrument ground

**DSR** (Data Set Ready),  
Input, active LOW,  
Indicates that the remote station is ready to receive data.

**RTS** (Request To Send),  
Output, active LOW.  
Indicates that the local terminal wants to transmit data.

**CTS** (Clear To Send),  
Input, active LOW.  
Used to tell the local terminal that the remote station is ready to receive data.

**RI** (Ring Indicator),  
*Not used in FSP.*  
Input, active LOW.  
Used by a modem to indicate that a remote station wants to establish a connection.

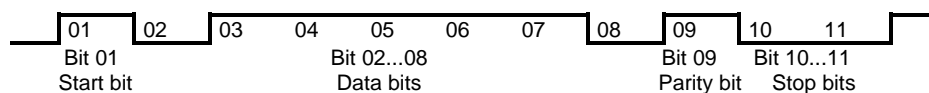
## Transmission Parameters

To ensure error-free data transmission, the parameters of the instrument and the controller must have the same settings. The parameters are defined in the *SETUP-GENERAL SETUP* menu.

<b>Transmission rate (baud rate)</b>	the following transmission rates can be set in the instrument: 110, 300, 600, 1200, 2400, 4800, 9600, 19200.
<b>Data bits</b>	Data transmission is in 7- or 8-bit ASCII code. The first bit transmitted is the LSB (least significant bit).
<b>Start bit</b>	Each data byte starts with a start bit. The falling edge of the start bit indicates the beginning of the data byte.
<b>Parity bit</b>	In order to detect errors, a parity bit may be transmitted. No parity, even parity or odd parity may be selected. In addition, the parity bit can be set to logic '0' or to logic '1'.
<b>Stop bits</b>	The transmission of a data byte is terminated by 1, 1,5 or 2 stop bits.

### Example:

Transmission of character 'A' (41 hex) in 7-bit ASCII code,  
with even parity and 2 stop bits:



## Control Characters

For interface control, several strings are defined and control characters are reserved which are based upon IEC Bus control.

Table 8-5 Control strings or control characters of the RS-232 interface

Control string or character	Function
'@REM'	Switch over to remote
'@LOC'	Switch over to local
'@SRQ'	Service Request SRQ ( SRQ is sent by the instrument)
'@GET'	Group Execute Trigger (GET)
'@DCL'	Reset instrument (Device Clear DCL)
<Ctrl Q> 11 Hex	Enables character output / XON
<Ctrl S> 13 Hex	Inhibits character output / XOFF
0D Hex, 0A Hex	Terminator <CR>, <LF>

## Handshake

### Software handshake

In the software handshake mode of operation, the data transfer is controlled using the two control characters XON / XOFF.

The instrument uses the control character XON to indicate that it is ready to receive data. If the receive buffer is full, it sends the XOFF character via the interface to the controller. The controller then interrupts the data output until it receives another XON from the instrument. The controller indicates to the instrument that it is ready to receive data in the same way.

### Cable required for software handshake

The connection of the instrument with a controller for software handshake is made by crossing the data lines. The following wiring diagram applies to a controller with a 9-pin or 25-pin configuration.

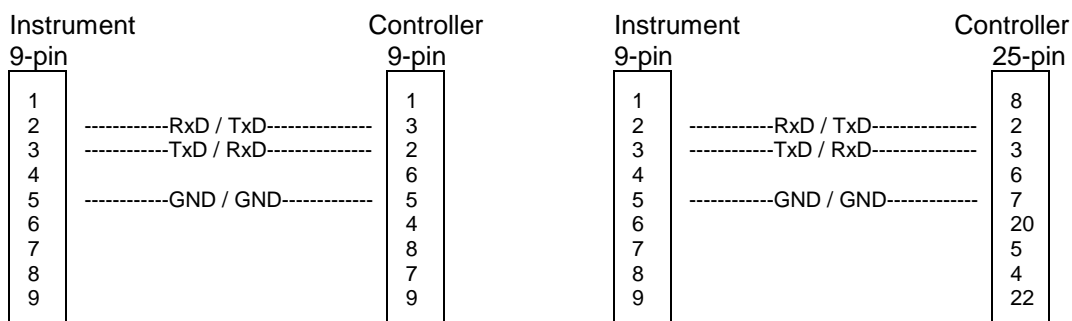


Fig. 8-6 Wiring of the data lines for software handshake

**Hardware handshake**

For hardware handshake, the instrument indicates that it is ready to receive data via the lines DTR and RTS. A logic '0' on both lines means 'ready' and a logic '1' means 'not ready'. The RTS line is always active (logic '0') as long as the serial interface is switched on. The DTR line thus controls the readiness of the instrument to receive data.

The readiness of the remote station to receive data is reported to the instrument via the CTS and DSR line. A logic '0' on both lines activates the data output and a logic '1' on both lines stops the data output of the instrument. The data output takes place via the TxD line.

**Cable for hardware handshake**

The connection of the instrument to a controller is made with a so-called zero modem cable. Here, the data, control and acknowledge lines must be crossed. The following wiring diagram applies to a controller with a 9-pin or 25-pin configuration.

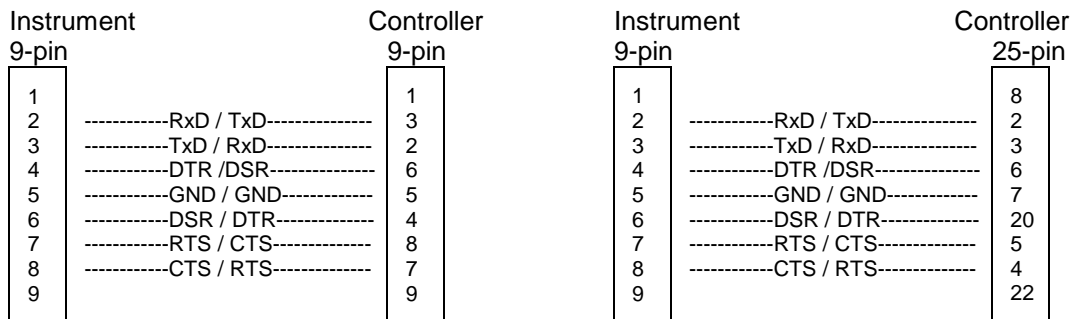


Fig. 8-7 Wiring of the data, control and acknowledge lines for hardware handshake

The configuration of the user ports takes place in the *SETUP* menu (SETUP key) in the *GENERAL SETUP* sub-menu.

**Monitor Connector (MONITOR)**

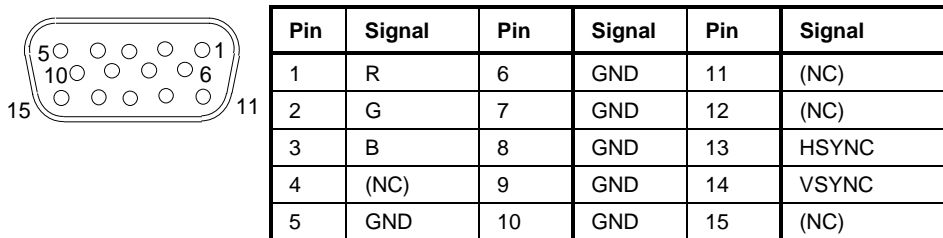


Fig. 8-8 Pin assignments of the MONITOR connector.

**Noise Source Control (NOISE SOURCE)**

Using the NOISE SOURCE connector, an external noise source can be switched on/off, in order, e.g., to measure the noise figure of units under test (UUTs). Usual noise sources require a +28 V signal to be turned on. At 0 V, they are turned off. These supply voltages are delivered by the connector. Maximum current is 100 mA..



## External Trigger Input (EXT TRIG/GATE)

The EXT TRIG/GATE connector is used for controlling the measurement via an external signal. The trigger voltages are TTL level (Low < 0.7 V, High > 1.4 V), typ. input impedance is 10 kOhm

## Mouse Connector (MOUSE)

A PS/2 connector is provided at the rear panel to connect a PS/2 mouse:

Pin	Signal
1	MOUSEDATA
2	KEYBOARDDATA
3	MOUSEGND
4	MOUSEVD5
5	MOUSECLK
6	KEYBOARDCLK

Fig 8-9 Pin assignments for the MOUSE connector.

## USB Connector (USB )

A USB connector is provided at the rear panel of the R&S FSP. This USB connector is used to connect two USB devices (USB 1.1):

Pin	Signal
1	+ 5 V USB0
2	USBDATA0 -
3	USBDATA0 +
4	GND
5	+ 5 V USB1
6	USBDATA1 -
7	USBDATA1 +
8	GND

Fig. 8-10 USB connector assignment

**Note:** *Passive USB connection cables should not be longer than 1 m.*

## Reference Output/Input (REF IN and REF OUT)

For operation with an external reference, the internal reference oscillator is then synchronized to the 10-MHz reference applied to the connector. The necessary level is > 0 dBm.

The internal 10 MHz reference signal is also available at the REF OUT connector and thus provides the capability of, e.g., synchronization of external instruments to the FSP. The output level is 0 dBm.

Selection between internal and external reference is possible in the *SETUP* menu.

### IF Output 20.4 MHz (20.4 MHz OUT)

The 20.4 MHz IF signal of the FSP is available at the 20.4 MHz OUT BNC connector. The bandwidth corresponds to the selected bandwidth for a resolution bandwidth between 100 kHz and 10 MHz. For a resolution bandwidth below 100 kHz, the bandwidth of the output is 2.6 times the resolution bandwidth with a minimum of 2.6 kHz.

The signal level at the IF output is 0 dBm for resolution bandwidth  $\geq$  100 kHz, and -10 dBm for resolution bandwidth  $<$  100 kHz (mixer level  $\geq$  60 dBm) .

### IEC 2 Interface (Option FSP-B10)

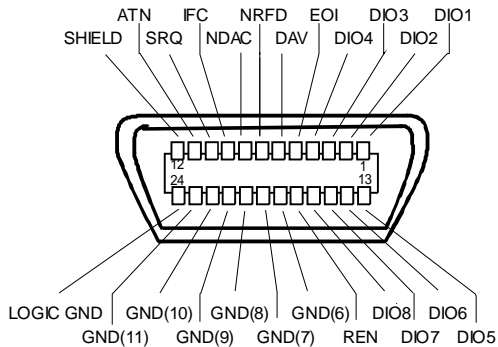


Fig. 8-11 Pin assignment of IEC 2 interface

### AUX CONTROL Interface (Option FSP-B10)

FSP External Generator Control Option - FSP-B10). The voltage levels are of the TTL type (low  $<$  0.4 V, high  $>$  2 V).

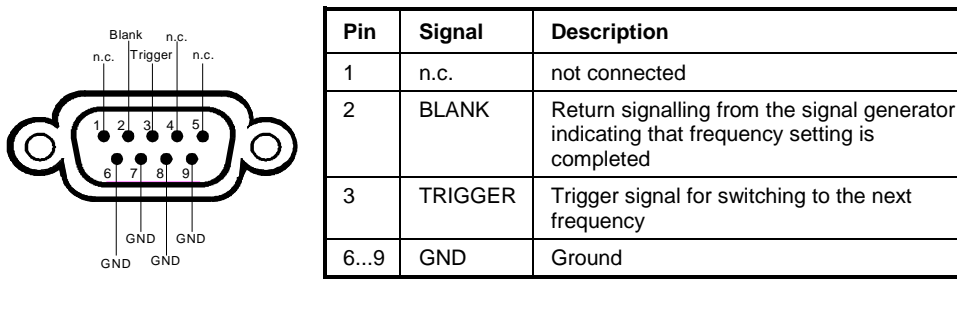


Fig. 8-12 Pin assignment of AUX CONTROL connector

### LAN Interface the option FSP-B16,

The optional LAN interface allows the instrument to be connected to local networks. The pin assignment of the RJ45 connector supports double-paired category 5 UTP/STP cables in star configuration. (UTP means unshielded twisted pair, and STP stands for shielded twisted pair).

# Contents - Chapter 9 "Error Messages"

- 9 Error Messages**
  - SCPI-Specific Error Messages..... 9.2
  - Device-Specific Messages ..... 9.8



## 9 Error Messages

Error messages are entered in the error/event queue of the status reporting system in the remote control mode and can be queried with the command `SYSTem:ERRor?`. The answer format of FSP to the command is as follows:

```
<error code>, "<error text with queue query>;  
<remote control command concerned>"
```

The indication of the remote control command with prefixed semicolon is optional.

Example:

The command `"TEST:COMMAND"` generates the following answer to the query `SYSTem:ERRor?` :

```
-113,"Undefined header;TEST:COMMAND"
```

The subsequent list contains the description of error texts displayed on the instrument.

Distinction is made between error messages defined by SCPI, which are marked by negative error codes, and the device-specific error messages for which positive error codes are used.

The right-hand column in the following tables contains the error text in bold which is entered in the error/event queue and can be read out by means of query `SYSTem:ERRor?`. A short explanation of the error cause is given below. The left-hand column contains the associated error code.

## SCPI-Specific Error Messages

No Error

Error code	Error text in the case of queue poll Error explanation
0	<b>No error</b> This message is output if the error queue does not contain any entries.

Command Error - Faulty command; sets bit 5 in the ESR register.

Error code	Error text in the case of queue poll Error explanation
-100	<b>Command Error</b> The command is faulty or invalid.
-101	<b>Invalid Character</b> The command contains an invalid sign. Example: A header contains an ampersand, " <b>SENSe&amp;</b> ".
-102	<b>Syntax error</b> The command is invalid. Example: The command contains block data the instrument does not accept.
-103	<b>Invalid separator</b> The command contains an imallowed sign instead of a separator. Example: A semicolon is missing after the command.
-104	<b>Data type error</b> The command contains an invalid value indication. Example: ON is indicated instead of a numeric value for frequency setting.
-105	<b>GET not allowed</b> A Group Execute Trigger (GET) is within a command line.
-108	<b>Parameter not allowed</b> The command contains too many parameters. Example: Command <b>SENSe:FREQuency:CENTer</b> permits only one frequency indication.

## Continuation: Command Error

Error code	Error text in the case of queue poll Error explanation
-109	<b>Missing parameter</b> The command contains too few parameters. Example: The command <code>SENSe:FREQuency:CENTer</code> requires a frequency indication.
-110	<b>Command header error</b> The header of the command is faulty.
-111	<b>Header separator error</b> The header contains an imallowed separator. Example: the header is not followed by a "White Space", " <code>*ESE255</code> "
-112	<b>Program mnemonic too long</b> The header contains more than 12 characters.
-113	<b>Undefined header</b> The header is not defined for the instrument. Example: <code>*XYZ</code> is undefined for every instrument.
-114	<b>Header suffix out of range</b> The header contains an imallowed numeric suffix. Example: <code>SENSe3</code> does not exist in the instrument.
-120	<b>Numeric data error</b> The command contains a faulty numeric parameter.
-121	<b>Invalid character in number</b> A number contains an invalid character. Example: An "A" in a decimal number or a "9" in an octal number.
-123	<b>Exponent too large</b> The absolute value of the exponent is greater than 32000.
-124	<b>Too many digits</b> The number includes too many digits.
-128	<b>Numeric data not allowed</b> The command includes a number which is not allowed at this position. Example: The command <code>INPut:COUPLing</code> requires indication of a text parameter.
-130	<b>Suffix error</b> The command contains a faulty suffix.
-131	<b>Invalid suffix</b> The suffix is invalid for this instrument. Example: nHz is not defined.
-134	<b>Suffix too long</b> The suffix contains more than 12 characters.
-138	<b>Suffix not allowed</b> A suffix is not allowed for this command or at this position of the command. Example: The command <code>*RCL</code> does not permit a suffix to be indicated.
-140	<b>Character data error</b> The command contains a faulty text parameter
-141	<b>Invalid character data</b> The text parameter either contains an invalid character or it is invalid for this command. Example: Write error with parameter indication; <code>INPut:COUPLing XC</code> .

Continuation: Command Error

Error code	Error text in the case of queue poll Error explanation
-144	<b>Character data too long</b> The text parameter contains more than 12 characters.
-148	<b>Character data not allowed</b> The text parameter is not allowed for this command or at this position of the command. Example: The command <b>*RCL</b> requires a number to be indicated.
-150	<b>String data error</b> The command contains a faulty string.
-151	<b>Invalid string data</b> The command contains a faulty string. Example: An END message has been received prior to the terminating apostrophe.
-158	<b>String data not allowed</b> The command contains a valid string at a position which is not allowed. Example: A text parameter is set in quotation marks, <b>INPut:COUPLing "DC"</b>
-160	<b>Block data error</b> The command contains faulty block data.
-161	<b>Invalid block data</b> The command contains faulty block data. Example: An END message was received prior to reception of the expected number of data.
-168	<b>Block data not allowed</b> The command contains valid block data at an imallowed position. Example: The command <b>*RCL</b> requires a number to be indicated.
-170	<b>Expression error</b> The command contains an invalid mathematical expression.
-171	<b>Invalid expression</b> The command contains an invalid mathematical expression. Example: The expression contains mismatching parentheses.
-178	<b>Expression data not allowed</b> The command contains a mathematical expression at an imallowed position.



Execution Error - Error on execution of a command; sets bit 4 in the ESR register

Error code	Error text in the case of queue poll Error explanation
-200	<b>Execution error</b> Error on execution of the command.
-201	<b>Invalid while in local</b> The command is not executable while the device is in local due to a hard local control. Example: The device receives a command which would change the rotary knob state, but the device is in local so the command can not be executed.
-202	<b>Settings lost due to rtl</b> A setting associated with hard local control was lost when the device changed to LOCS from REMS or to LWLS from RWLS.
-210	<b>Trigger error</b> Error on triggering the device.
-211	<b>Trigger ignored</b> The trigger (GET, *TRG or trigger signal) was ignored because of device timing considerations. Example: The device was not ready to respond.
-212	<b>Arm ignored</b> An arming signal was ignored by the device.
-213	<b>Init ignored</b> Measurement initialisation was ignored as another measurement was already in progress.
-214	<b>Trigger deadlock</b> The trigger source for the initiation of measurement is set to GET and subsequent measurement is received. The measurement cannot be started until a GET is received, but the GET would cause an interrupted-error)
-215	<b>Arm deadlock</b> The trigger source for the initiation of measurement is set to GET and subsequent measurement is received. The measurement cannot be started until a GET is received, but the GET would cause an interrupted-error.
-220	<b>Parameter error</b> The command contains a faulty or invalid parameter.
-221	<b>Settings conflict</b> There is a conflict between setting of parameter value and instrument state.
-222	<b>Data out of range</b> The parameter value lies out of the allowed range of the instrument.
-223	<b>Too much data</b> The command contains too many data. Example: The instrument does not have sufficient storage space.
-224	<b>Illegal parameter value</b> The parameter value is invalid. Example: The text parameter is invalid , <b>TRIGger : SWEep : SOURce TASTE</b>

Continuation: Execution Error

Error code	Error text in the case of queue poll Error explanation
-230	<b>Data corrupt or stale</b> The data are incomplete or invalid. Example: The instrument has aborted a measurement.
-231	<b>Data questionable</b> The measurement accuracy is suspect.
-240	<b>Hardware error</b> The command cannot be executed due to problems with the instrument hardware.
-241	<b>Hardware missing</b> Hardware is missing. Example: An option is not fitted.
-250	<b>Mass storage error</b> A mass storage error occurred.
-251	<b>Missing mass storage</b> The mass storage is missing. Example: An option is not installed.
-252	<b>Missing media</b> The media is missing. Example: There is no floppy in the floppy disk drive.
-253	<b>Corrupt media</b> The media is corrupt. Example: The floppy is bad or has the wrong format.
-254	<b>Media full</b> The media is full. Example: There is no room on the floppy.
-255	<b>Directory full</b> The media directory is full.
-256	<b>File name not found</b> The file name cannot be found on the media.
-257	<b>File name error</b> The file name is wrong. Example: An attempt is made to copy to a duplicate file name.
-258	<b>Media protected</b> The media is protected. Example: The write-protect tab on the floppy is present.
-260	<b>Expression error</b> The expression contains an error.

Device Specific Error; sets bit 3 in the ESR register

Error code	Error test in the case of queue poll Error explanation
-300	<b>Device-specific error</b> FSP-specific error not defined in greater detail.
-310	<b>System error</b> This error message suggests an error within the instrument. Please inform the R&S Service.
-313	<b>Calibration memory lost</b> Loss of the non-volatile data stored using the *CAL? command. This error occurs when the correction data recording has failed.
-330	<b>Self-test failed</b> The selftest could not be executed.
-350	<b>Queue overflow</b> This error code is entered in the queue instead of the actual error code if the queue is full. It indicates that an error has occurred but not been accepted. The queue can accept 5 entries.

Query Error - Error in data request; sets bit 2 in the ESR register

Error code	Error text in the case of queue poll Error explanation
-400	<b>Query error</b> General error occurring when data are requested by a query.
-410	<b>Query INTERRUPTED</b> The query has been interrupted. Example: After a query, the instrument receives new data before the response has been sent completely.
-420	<b>Query UNTERMINATED</b> The query is incomplete. Example: The instrument is addressed as a talker and receives incomplete data.
-430	<b>Query DEADLOCKED</b> The query cannot be processed. Example: The input and output buffers are full, the instrument cannot continue operation.
-440	<b>Query UNTERMINATED after indefinite response</b> A query is in the same command line after a query which requests an indefinite response.

## Device-Specific Messages

Error code	Error text in the case of queue poll Error explanation
1036	<b>MS: The correction table based amplifier gain exceeds the amplifier range for CALAMP1 and CALAMP2 on IF board</b> This message is output when the setting range of the calibration amplifier is not sufficient for the required correction. The error occurs only with modules which are not correctly adjusted or defective.
1052	<b>Frontend LO is Unlocked</b> This message is output when the phase regulation of the local oscillator fails in the RF frontend.
1060	<b>Trigger-Block Gate Delay Error- gate length &lt; Gate Delay</b> This message is output when the gate signal length is not sufficient for the pull-in delay with a predefined gate delay.
1064	<b>Tracking LO is Unlocked</b> This message is output when the phase regulation of the local oscillator fails on the tracking generator module.

Error code	Error text in the case of queue poll Error explanation
2022	<b>OPTIONS.INI invalid</b> This message is output when an error has been recognized in the file OPTIONS.INI which contains the clearing codes for retrofitable firmware applications. If this file is not correctly recognized, all firmware applications are blocked for this instrument.
2028	<b>Hardcopy not possible during measurement sequence</b> This message is output when a printout is started during scan sequences that cannot be interrupted. Such sequences are for example: <ul style="list-style-type: none"> <li>• Recording the system error correction data (calibration)</li> <li>• Instrument selftest</li> </ul> In such cases a synchronization to the end of the scan sequence should be performed prior to starting the printout.
2033	<b>Printer Not Available</b> This message is output when the selected printer is not included in the list of available output devices. A possible cause is that the required printer driver is missing or incorrectly installed.
2034	<b>CPU Temperature is too high</b> This message is output when the temperature of the processor exceeds 70 °C.

# 10 Index

**Note:** All softkeys are listed alphabetically under keyword "Softkey" with their names. The page numbers 4.xxx refer to the detailed description of the softkeys in chapter 4. Generally, the number of the page in chapter 6 containing the equivalent remote control command is given in addition.

A list of softkeys and equivalent remote control commands or command sequences is given in chapter 6, section "Table of Softkeys with IEC/IEEE-Bus Command Assignment". Chapter 6 also contains an alphabetical list of all remote control commands.

- \*
  - \* (enhancement label)..... 3.6
  - \* (enhancement label)..... 4.10-4
  
- 0**
  - 0 to 9 (key) ..... 3.11
  
- 1**
  - 1 - 2 (trace info) ..... 4.10-14
  - 1 - 3 (trace info) ..... 4.10-14
  
- 2**
  - 20.4 MHz Out ..... 8.12
  
- 7**
  - 75  $\Omega$  (enhancement lable) ..... 3.6
  
- A**
  - Abort
    - recording of correction data ..... 4.11-2
  - AC supply connection ..... 1.16
  - ACP measurement ..... 4.15-7
  - Addressed command ..... 8.5
  - Adjacent-channel power
    - number of channels ..... 4.15-14
  - Administrator function ..... 1.19
  - AF demodulation ..... 4.13-9
  - AF OUTPUT ..... 8.2
  - AM demodulation ..... 4.13-10
  - AM modulation ..... 4.21-17
  - AM modulation depth ..... 4.15-34
  - Amplitude ..... 4.6-1
  - Amplitude probability distribution function ..... 4.15-28
  - Amplitude statistics ..... 4.15-26
  - Analyzer mode ..... 4.4.1
  - Annotation ..... 4.17-4
  - AP (trace info) ..... 3.5
  - APD function ..... 4.15-28
  - Ascii # ..... 5.14
  - Attenuation ..... 4.6-3
  - Autopeak detector ..... 4.10-11
  - AUX CONTROL
    - interface ..... 8.12
  
- AUX CONTROL connector** ..... 8.12
- AV (trace info)** ..... 3.5
- Average detector** ..... 4.10-10, 4.10-13
- Averaging** ..... 4.10-3, 4.15-5
  - continuous sweep ..... 4.10-3
  - lin/log ..... 4.10-5
  - single sweep ..... 4.10-3
  - sweep count ..... 4.10-3
- AVG (trace info)** ..... 3.5
  
- B**
  - BACK (key) ..... 3.11
  - Band filter, digital ..... 4.7-7
  - Bandpass ..... 4.7-7
  - Bandwidth
    - occupied ..... 4.15-23
    - resolution ..... 4.7-3
    - video ..... 4.7-3
  - Base spreading factor ..... 6.1-254
  - Baud rate ..... 4.18-12
  - Befehl
    - Zuordnung Softkey ..... 6.4-1
  - Block data ..... 5.14
  - Boolean parameter ..... 5.13
  - Brightness ..... 4.17-6
  - Brightness, Screen ..... 4.20-8
  
- C**
  - Calibration
    - functioning ..... 4.21-13, 4.22-10
    - reflection measurement ..... 4.22-9
    - reflexion measurement ..... 4.21-12
    - transmission measurement ..... 4.21-5, 4.22-3
  - Calibration results ..... 4.11-3
  - CANCEL (key) ..... 3.11
  - CCDF function ..... 4.15-28
  - CCIR 473-4 ..... 4.9-9
  - CCVS signal ..... 4.9-10
  - Center frequency ..... 4.4-2
    - Step size ..... 4.4-2
  - Channel
    - power ..... 4.15-17
    - bandwidth ..... 4.15-15, 4.15-23, 4.15-33
    - number ..... 4.15-14
    - spacing ..... 4.15-16
  - Channel filters ..... 4.7-9
  - Channel power measurement ..... 4.15-9
  - Characters, special ..... 6.1-2
  - Clear/Write mode ..... 4.10-2
  - CLWR (trace info) ..... 3.5
  - CODE DOM OVERVIEW ..... 6.1-258

- Colon ..... 5.14
  - Color ..... 4.17-6, 4.20-6
  - Color printout ..... 4.20-6
  - COM interface ..... 4.18-12, 8.7
  - Comma ..... 5.14
  - Command
    - # ..... 5.14
    - addressed ..... 8.5
    - colon ..... 5.14
    - comma ..... 5.14
    - description ..... 6.1-1
    - header ..... 5.10
    - line ..... 5.12
    - long form ..... 5.11
    - overlapping execution ..... 5.17
    - programming examples ..... 7.1
    - query ..... 5.12
    - question mark ..... 5.12, 5.14
    - quotation mark ..... 5.14
    - recognition ..... 5.16
    - sequence ..... 5.17
    - short form ..... 5.11
    - structure ..... 5.9
    - suffix ..... 5.11
    - syntax elements ..... 5.14
    - universal ..... 8.5
    - white space ..... 5.14
  - Common commands ..... 6.1-4
  - CONDition register part ..... 5.19
  - Configuration ..... 4.18-1
    - save ..... 4.19-1
  - Continue single sweep ..... 4.8-2
  - Continuous sweep ..... 4.8-1
  - Control
    - output level ..... 4.21-3
  - Control characters ..... 8.9
  - Copy
    - file ..... 4.19-15
    - limit line ..... 4.16-5
    - trace ..... 4.10-8
  - Correction
    - inherent noise ..... 4.15-11
  - Correction data ..... 4.11-1
  - Correction of entry ..... 3.17
  - Correction values
    - normalization ..... 4.21-1, 4.22-1
  - Counter resolution ..... 4.12-4
  - Coupling
    - bandwidths ..... 4.7-1
    - default settings ..... 4.7-5, 4.7-7
    - frequency of diagrams ..... 4.17-3
    - reference level of diagrams ..... 4.17-3
    - resolution bandwidth ..... 4.7-4
    - sweep time ..... 4.7-5
    - video bandwidth ..... 4.7-4
  - Create directory ..... 4.19-14
  - Cumulative distribution function ..... 4.15-28
- D**
- Date ..... 4.17-4
    - input ..... 4.18-15
  - DCL ..... 5.16
  - Decimal point ..... 3.11
  - Default
    - coupling ratios ..... 4.7-5
    - display settings ..... 4.17-4
    - scalings of x- and y-axis ..... 4.15-30
  - Delay, gate signal ..... 4.9-6
  - Delete
    - file ..... 4.19-15
    - limit line ..... 4.16-5
  - Demodulation ..... 4.13-9
  - Detector
    - autopeak ..... 4.10-9
    - average ..... 4.10-10
    - max peak ..... 4.10-9
    - min peak ..... 4.10-9
    - quasipeak ..... 4.10-10
    - RMS ..... 4.10-10
    - sample ..... 4.10-9
  - Device reset (overall) ..... 4.2
  - Diskette, format ..... 4.19-17
  - Display
    - brightness ..... 4.17-6
    - color ..... 4.17-6
    - date ..... 4.17-4
    - deactivation during single sweep ..... 4.8-3
    - power-save mode ..... 1.18, 4.17-5
    - saturation ..... 4.17-6
    - time ..... 4.17-4
    - tint ..... 4.17-6
    - title ..... 4.17-4
  - Display line ..... 4.16-11
  - Display mode
    - full screen ..... 3.8, 4.17-2
    - split screen ..... 3.8, 4.17-2
  - Display range
    - frequency ..... 4.4-2
    - level ..... 4.6-1
    - span ..... 4.5-1
  - Distribution function ..... 4.15-28
  - Double dagger ..... 5.14
- E**
- Editing
    - limit line ..... 4.16-6
    - parameter ..... 3.16
    - table ..... 3.23
  - Electrostatic discharge ..... 1.14
  - ENABle register part ..... 5.19
  - Enabling the front panel keys ..... 4.3-1
  - Enhancement labels ..... 3.6
  - ENTER (key) ..... 3.11
  - Entry
    - abort ..... 3.11
    - activate ..... 3.14, 3.25
    - correct ..... 3.17
    - terminate ..... 3.11
  - Error messages ..... 4.18-23, 9.1
  - Error variable - iberr ..... 4.23-38
  - Error-queue query ..... 5.32
  - ESC (key) ..... 3.11
  - ESE (event status enable register) ..... 5.22
  - ESR (event status register) ..... 5.22
  - EVENT register part ..... 5.19
  - Event status enable register (ESE) ..... 5.22
  - Event status register (ESR) ..... 5.22
  - EXT (enhancement lable) ..... 3.6
  - EXT TRIGGER/GATE input ..... 4.9-2, 8.11
  - External generator ..... 4.22-1
  - External noise source ..... 4.18-2

## F

Fast power measurement.....	4.15-12
FFT filter.....	4.7-7
Field, first or second.....	4.9-9
File	
copy.....	4.19-15
delete.....	4.19-15
rename.....	4.19-15
sort.....	4.19-16
Filter	
band filter.....	4.7-7
FFT.....	4.7-7
Firmware update.....	4.18-27
Firmware version.....	4.18-22
Fixed filter.....	4.7-7
FM demodulation.....	4.13-10
FM modulation.....	4.21-17
Free-run sweep.....	4.9-1
Frequency.....	4.4.1
axis labelling.....	3.4
center.....	4.4-2
counter.....	4.12-4
coupling of diagrams.....	4.17-3
display window.....	4.4.1, 4.5-1
Line.....	4.16-12
offset.....	4.4-5
Offset (ext. generator).....	4.22-11
offset (tracking generator).....	4.21-14
span.....	4.5-1
start.....	4.4-4
stop.....	4.4-4
switching off display.....	4.17-4
Frequency-converting measurements.....	4.21-14, 4.22-11
FRQ (enhancement table).....	3.6
FS-K5.....	6.1-112
FS-K72/K73.....	6.1-250
Full screen.....	3.8, 4.17-2
Full span.....	4.5-1

## G

GAT (enhancement table).....	3.6
Gate	
delay.....	4.9-6
external/internal.....	4.9-4
length.....	4.9-6
GET (Group Execute Trigger).....	5.16
Getting Started with the Instrument.....	1.14
GHz-dBm (key).....	3.11
GSM MS Analyzer (FS-K5).....	6.1-112

## H

Hardcopy	
screen.....	4.20-2
Hardware Adjustment.....	4.18-27
Hardware settings, indication.....	3.3
Header.....	5.10
Help line editor.....	3.20
Horizontal sync signal.....	4.9-9
Hotkey	
NETWORK.....	4.21-1
SCREEN A/B.....	4.2-1, 6.1-152
SPECTRUM.....	4.2-1, 4.4.1, 6.1-188
Hue, Screen.....	4.20-8
Hz/dB. (key).....	3.11

## I

I/Q modulation.....	4.21-18
IEC Bus	
Interface.....	8.12
IEC/IEEE bus	
address.....	4.18-10
command description.....	6.1-1
interface.....	8.3
interface functions.....	8.4
programming examples.....	7.1
I FOVL.....	3.5
Impedance of input.....	4.6-4
Indication	
hardware settings.....	3.3
instrument settings.....	3.6
marker information.....	3.4
Inherent noise, Correction.....	4.15-11
Initial configuration.....	4.2
Input	
EXT TRIGGER/GATE.....	4.9-2, 8.11
REF IN.....	8.11
Input impedance.....	4.6-4
Instrument functions.....	4.1
Interface functions	
IEC/IEEE bus.....	8.4
Interfaces.....	8.2
Intermodulation product.....	4.15-35
Interrupt.....	5.31
IST flag.....	5.22

## K

Key	
0 to 9.....	3.11
AMPT.....	4.6-1
BACK.....	3.11
BW.....	4.7-2
CAL.....	4.11-1
CANCEL.....	3.11
DISP.....	4.17-1
ENTER.....	3.11
ESC.....	3.11, 6.1-33
FILE.....	4.19-1
FREQ.....	4.4.1
GHz-dBm.....	3.11
Hz/dB.....	3.11
kHz/dB.....	3.11
LINES.....	4.16-2, 4.16-11
MEAS.....	4.15-1
MHz/dBm.....	3.11
MKR.....	4.12-1
MKR FCTN.....	4.13-1
MKR to.....	4.14-1
PRESET.....	4.2, 6.1-7, 6.1-322
SETUP.....	4.18-1
SPAN.....	4.5-1
spinwheel.....	3.12
SWEEP.....	4.8-1
TRACE.....	4.10-1
TRIG.....	4.9-1
keyboard	
connect.....	1.20
Keyboard	
connector.....	8.2
kHz/dB (key).....	3.11

**L**

LAN	
Interface	8.12
LAN Interface	4.23-1
LAN-Interface	4.23-1
Level	4.6-1
display range	4.6-1
offset (phase noise)	4.13-5
offset (tracking generator)	4.21-3
range	4.6-1
reference	4.6-1
Limit	
ACP measurement	4.15-19
evaluation range	4.15-4
probability range	4.15-30
Limit check	4.16-4
ACP measurement	4.15-19
Limit Check	4.16-4
Limit line	
copy	4.16-5
delete	4.16-5
domain	4.16-7
edit	4.16-6
limit check	4.16-4
offset	4.16-5
save	4.16-10
scaling	4.16-8
select	4.16-3
shift	4.16-10
unit	4.16-8
value	4.16-10
Line	
Frequency (Frequency Line 1, 2)	4.16-12
limit	4.16-3
reference (tracking generator)	4.21-8, 4.22-6
threshold	4.14-3
Time (Time Line 1, 2)	4.16-12
Line system	4.9-10
Lines	4.16-12
LO exclude	4.14-7
Login/out (NT controller)	1.19
Logo	4.17-4
Lower case	6.1-2
LPT interface	8.6

**M**

Maintenance	8.1
Manual operation	
return to	5.4, 5.6
switch to	4.3-1
Marker	4.12-1
center frequency to	4.14-2
CF stepsize to	4.14-4
indication	3.4
N dB Down	4.13-6
normal	4.12-1
peak	4.13-2, 4.14-1
reference level to	4.14-2
search limit	4.14-3
signal track	4.4-5
to trace	4.12-3, 4.13-10
zoom	4.12-7
Max hold	4.10-2
Max peak detector	4.10-12
MAXH (trace info)	3.5
Maximum peak value	4.15-5
Maximum search	4.14-1
Maximum value	4.15-3

Mean power (GSM burst)	4.15-4
Mean value	4.15-4
Measurement	
frequency-converting	4.21-14, 4.22-11
reflection	4.22-9
reflexion	4.21-11
transmission	4.21-4, 4.22-3
Measurement example	
ACP with user-specific channel configuration	4.15-21
adjacent-channel power for a specific standard	4.15-20
CCDF of a IS95 BTS signal	4.15-31
occupied bandwidth of a PDC signal	4.15-25
signal/noise power density (C/No) of an IS95 CDMA signal	4.15-22
Measurement Example	
Harmonic	2.5
Measurement of Carrier/Noise Ratio C/N and C/N <sub>0</sub>	4.15-32
Measurement, save	4.19-1
Menu	
call	3.10
change keys	3.10
Messages	4.18-23
acknowledgement	3.7
MHz/dBm (key)	3.11
MI (trace info)	3.5
Min hold	4.10-5
Min peak detector	4.10-12
MINH (trace info)	3.5
Minimum search	4.14-5
Mobile radio standard	4.15-10
Mode	
analyzer	4.4.1
Modulation	
external (tracking generator)	4.21-16
Modulation depth	4.15-34
Monitor	
connection	1.22
connector	8.10
Mouse	8.11
connector	8.11
Mouse connection	8.11
Mouse connector	8.2

**N**

Network	4.21-1
Noise	
source, external	4.18-2
Noise measurement	4.13-2
NOISE SOURCE	8.10
Noise, Correction	4.15-11
Normalization	4.21-7, 4.22-5
NT computer	1.19
NTRansition register part	5.19
Numerical values (command)	5.13

**O**

Occupied bandwidth	4.15-23
Offset	
frequency	4.4-5
frequency (ext. generator)	4.22-11
gate signal	4.9-6
level (tracking generator)	4.21-3
limit line	4.16-5
phase noise	4.13-5
reference level	4.6-4
trigger	4.9-2
Operating mode	



analyzer..... 4.4.1  
 Operating time ..... 4.18-22  
 option  
   FSP-B16 - LAN Interface..... 4.23-1, 8.12  
 Option  
   FS-K72/K73..... 6.1-250  
   FSP-B10 – External Generator ..... 4.22-1  
   FSP-B6 – TV and RF Trigger ..... 4.9-8  
   FSP-B9 – Tracking Generator ..... 4.21-1  
 Option:..... 6.1-112  
 Order number ..... 4.18-21  
 Output  
   AF OUTPUT..... 8.2  
   IF 20.4 MHz Out ..... 8.12  
   noise source control ..... 8.10  
   REF OUT ..... 8.11  
 Output level  
   control ..... 4.21-3  
 OVEN ..... 3.5  
 Overwrite mode ..... 4.10-2  
 OVL..... 3.5, 4.21-13, 4.22-10

## P

Packing..... 8.1  
 Parallel poll ..... 5.32  
 Parallel poll enable register (PPE) ..... 5.22  
 Parameter  
   block data ..... 5.14  
   boolean ..... 5.13  
   editing ..... 3.16  
   numerical values ..... 5.13  
   selection ..... 3.13  
   string ..... 5.14  
   text ..... 5.14  
 Password  
   service functions..... 4.18-25  
   Windows NT..... 1.19  
 Path ..... 4.19-14  
 Peak search ..... 4.13-2, 4.14-1  
 Phase noise measurement ..... 4.13-4  
 PK (trace info)..... 3.5  
**Plotter**  
   **connection**..... 4.20-3  
 Polarity  
   external trigger/gate..... 4.9-5  
   trigger edge ..... 4.9-2  
   video ..... 4.9-10  
 Power bandwidth percentage ..... 4.15-23  
 Power cables ..... 8.1  
 Power measurement..... 4.15-1  
   CP/ACP..... 4.15-7  
   Fast ..... 4.15-12  
   occupied bandwidth..... 4.15-23  
   signal amplitude statistics ..... 4.15-26  
   Time domain..... 4.15-2  
   trace ..... 4.15-19  
 Power, mean ..... 4.15-4  
 Power-save mode  
   display..... 1.18  
   hard disk..... 1.18  
 PPE (parallel poll enable register)..... 5.22  
 Preamplifier ..... 4.18-3  
 Preparing the Instrument for Operation..... 1.14  
 Preset instrument ..... 4.2  
 Pretrigger..... 4.9-2  
 Print  
   start..... 4.20-2  
 PRINT SCREEN (Gate Signal) ..... 4.9-6  
 printer

connect ..... 1.23  
 Printer  
   configuration ..... 4.20-1  
   **connection** ..... 4.20-3, 8.6  
   interface ..... 8.6  
 PRN (enhancement table) ..... 3.6  
 Probe Power connector..... 8.2  
 PTRansition register part..... 5.19  
 Putting into operation  
   AC supply connection ..... 1.16

## Q

QP (trace info)..... 3.5  
 Quasipeak detector ..... 4.10-10  
 Query ..... 5.12, 5.32  
 Question mark..... 5.12, 5.14  
 Quotation mark..... 5.14

## R

Rackmounting ..... 1.15  
 Recording the correction data ..... 4.11-1  
 Reference  
   dataset (tracking generator) ..... 4.21-13  
   external ..... 4.18-2  
   fixed ..... 4.12-5  
   frequency ..... 4.12-5  
   level to marker level ..... 4.14-2  
   line (tracking generator) ..... 4.21-8, 4.22-6  
   position for normalization ..... 4.22-6  
 Reference level ..... 4.6-1  
   channel power..... 4.15-12  
   coupling of diagrams ..... 4.17-3  
   offset..... 4.6-4  
   position ..... 4.6-4  
   to marker level ..... 4.14-2  
 Reference point  
   frequency ..... 4.12-5  
   frequency (phase noise)..... 4.13-6  
   level ..... 4.12-5  
   offset..... 4.12-5  
   level (phase noise)..... 4.13-5  
   offset..... 4.13-5  
   time ..... 4.12-6  
   x axis ..... 4.12-6  
 Reference value  
   channel power..... 4.15-11  
   time domain power ..... 4.15-5  
 Referenz  
   Datensatz (Mitlaufgenerator)..... 4.22-10  
 Reflection measurement..... 4.21-11, 4.22-9  
 Remote control  
   basics ..... 5.1  
   IEC/IEEE bus..... 5.4  
   RS-232-C..... 5.5  
   switch over..... 5.3  
**Remote Control**  
   **RSIB**..... 4.23-35  
 Rename  
   directory ..... 4.19-15  
   file ..... 4.19-15  
 Reset  
   device ..... 4.2  
   status reporting system ..... 5.33  
 Resolution bandwidth ..... 4.7-3  
 Resolution counter ..... 4.12-4  
 RESULT SUMMARY (TRACE2)..... 6.1-333  
 RF ATTEN MANUAL..... 4.6-5

- RF attenuation ..... 4.6-3  
 RM (trace info) ..... 3.5  
 RMS detector ..... 4.10-10, 4.10-12  
 RMS value ..... 4.15-3  
 RS-232-C  
   configuration ..... 4.18-12  
   interface ..... 8.7  
   transmission parameters ..... 8.8
- S**
- SA (trace info) ..... 3.5  
 Sample detector ..... 4.10-12  
 Sample number ..... 4.15-29  
 Saturation ..... 4.17-6  
 Saturation, Screen ..... 4.20-8  
 Save  
   configuration ..... 4.19-1  
   limit line ..... 4.16-10  
   measurement ..... 4.19-1  
 Scalar reflection measurement ..... 4.21-11, 4.22-9  
 Scaling ..... 4.6-2  
   level axis ..... 4.6-4  
   limit line ..... 4.16-8  
   x- and y-axis (signal statistic) ..... 4.15-29  
 SCPI  
   conformity information ..... 6.1-1  
   introduction ..... 5.9  
   version ..... 5.1  
 Screen ..... 3.1  
   brightness ..... 4.20-8  
   full screen ..... 4.17-2  
   hue ..... 4.20-8  
   Saturation ..... 4.20-8  
   split screen ..... 3.8, 4.17-2  
   subdivision ..... 3.2  
 Search  
   bandwidth ..... 4.4-5  
   minimum ..... 4.14-5  
   peak ..... 4.13-2, 4.14-1  
   PEAK EXCURSION ..... 4.13-8, 4.14-5  
   range ..... 4.14-3  
 Selftest ..... 4.18-26  
 Sensitivity  
   APD measurement ..... 4.15-30  
   CCDF measurement ..... 4.15-30  
 Serial interface ..... 8.7  
   configuration ..... 4.18-12  
 Serial number ..... 4.18-21  
 Serial poll ..... 5.31  
 Service functions ..... 4.18-24  
 Service Pack ..... 1.19  
 Service request (SRQ) ..... 5.21, 5.31  
 Service request enable register (SRE) ..... 5.21  
 Setting Up the Instrument ..... 1.14  
 Settings, indication ..... 3.6  
 Setup ..... 4.18-1  
   general ..... 4.18-10  
 SGL (enhancement table) ..... 3.6  
 Sign (key) ..... 3.11  
 Signal amplitude statistics ..... 4.15-26  
 Signal count ..... 4.12-4  
 Signal tracking ..... 4.4-5  
   search bandwidth ..... 4.4-5  
 Single sweep ..... 4.8-1  
 Soft key  
   ACLR ..... 6.1-138  
   BAND CLASS ..... 6.1-144  
   BASE SF ..... 6.1-254  
   CAPTURE LENGTH ..... 6.1-257  
   CCDF ..... 6.1-138  
   CHAN TABLE HEADER ..... 6.1-142  
   CHAN TABLE VALUES ..... 6.1-141  
   CODE CHAN AUTOSEARCH ..... 6.1-140  
   CODE CHAN PREDEFINED ..... 6.1-140  
   CODE DOM ANALYZER ..... 6.1-138  
   COPY CHAN CONF TABLE ..... 6.1-143  
   DEL CHAN CONF TABLE ..... 6.1-143  
   EDIT CHAN CONF TABLE ..... 6.1-140  
   MARKER -> PICH ..... 6.1-97  
   MARKER -> TDPICH ..... 6.1-97  
   NEW CHAN CONF TABLE ..... 6.1-140  
   OCCUPIED BANDWIDTH ..... 6.1-138  
   ORDER ..... 6.1-257  
   PN OFFSET ..... 6.1-251  
   POWER ..... 6.1-138  
   POWER REF TOT/PICH ..... 6.1-256  
   SELECT CHANNEL ..... 6.1-252  
   SELECT PCG ..... 6.1-253  
   SPECTRUM EM MASK ..... 6.1-138  
   TIME/PHASE ON / OFF ..... 6.1-257  
 Softkey  
   % POWER BANDWIDTH ..... 4.15-23, 6.1-287  
   = CENTER ..... 4.4-3, 4.4-4  
   = MARKER ..... 4.4-3, 4.4-4  
   0.1 \* RBW ..... 4.4-3, 6.1-270, 6.1-271  
   0.1 \* SPAN ..... 4.4-2, 6.1-270, 6.1-271  
   0.5 \* RBW ..... 4.4-3, 6.1-270, 6.1-271  
   0.5 \* SPAN ..... 4.4-2, 6.1-270, 6.1-271  
   ABSOLUTE PEAK/MIN ..... 6.1-23, 6.1-24  
   ACP LIMIT CHECK ..... 4.15-19, 6.1-38  
   ACP REF SETTINGS ..... 4.15-16  
   ACP REF SETTINGS ..... 6.1-286  
   ADJ CHAN BANDWIDTH ..... 4.15-15, 6.1-285  
   ADJ CHAN SPACING ..... 4.15-16, 6.1-284  
   ADJUST REF LVL ..... 4.15-12, 4.15-24, 6.1-287  
   ADJUST SETTINGS 4.15-30, 4.15-33, 6.1-104, 6.1-287  
   ADJUST SETTINGS (occupied bandwidth) ..... 4.15-24  
   ADJUST SETTINGS (power measurements) ..... 4.15-18  
   ALL MARKER OFF ..... 4.12-7, 6.1-21, 6.1-56  
   AM ..... 4.13-10, 6.1-68, 6.1-349  
   AMPERE ..... 4.6-2, 6.1-109, 6.1-357  
   ANALOG I/Q ..... 6.1-185  
   ANNOTATION ON/OFF ..... 4.17-4, 6.1-150  
   APD ON/OFF ..... 4.15-28, 6.1-103, 6.1-106  
   area ..... 3.9  
   ASCII FILE EXPORT 4.10-6, 4.19-17, 6.1-176, 6.1-198  
   AUTO SELECT ..... 4.10-11, 6.1-266  
   AVERAGE ..... 6.1-119  
   AVERAGE ..... 4.10-3, 6.1-156, 6.1-243  
   AVERAGE ON/OFF 4.15-5, 6.1-86, 6.1-87, 6.1-89, 6.1-90, 6.1-91  
   AVG MODE LOG/LIN ..... 4.10-5, 6.1-102, 6.1-244  
   BALANCED ON OFF ..... 6.1-187  
   BLANK ..... 4.10-4, 6.1-156  
   BRIGHTNESS ..... 4.17-6, 4.20-8, 6.1-151, 6.1-178  
   C/N ..... 4.15-32, 4.15-33  
   C/No ..... 4.15-33  
   CAL ABORT ..... 4.11-2, 6.1-110  
   CAL CORR ON/OFF ..... 4.11-2, 6.1-111  
   CAL GEN 128 MHZ ..... 4.18-25, 6.1-145  
   CAL GEN COMB ..... 4.18-25, 6.1-146  
   CAL REFL OPEN ..... 4.21-12, 4.22-9, 6.1-260, 6.1-262  
   CAL REFL SHORT ..... 4.21-12, 4.22-9, 6.1-260, 6.1-262  
   CAL RESULTS ..... 4.11-3, 6.1-111  
   CAL TOTAL ..... 4.11-1, 6.1-110  
   CAL TRANS ..... 4.21-6, 4.22-4, 6.1-260  
   CCDF ON/OFF ..... 4.15-28, 6.1-103, 6.1-106  
   CCVS INT / EXT ..... 4.9-10, 6.1-294  
   CENTER ..... 4.4-2, 6.1-270  
   CENTER = MKR FREQ ..... 4.14-2, 6.1-72  
   CENTER A = MARKER B ..... 4.17-3, 6.1-189

- CENTER B = MARKER A..... 4.17-3, 6.1-189  
 CF STEPSIZE..... 6.1-270  
 CHAN POWER ACP..... 6.1-76  
 CHAN PWR / HZ..... 4.15-17, 6.1-80  
 CHAN PWR ACP..... 4.15-9  
 CHANNEL BANDWIDTH..... 4.15-23, 4.15-33, 6.1-285  
 CHANNEL SPACING..... 6.1-283  
 CLEAR ALL MESSAGES..... 4.18-23, 6.1-319, 6.1-320  
 CLEAR/WRITE..... 6.1-119  
 CLEAR/WRITE..... 4.10-2, 6.1-156  
 CNT RESOL..... 6.1-58  
 CNT RESOL..... 4.12-4  
 CODE DOM ANALYZER..... 6.1-139  
 COLOR ON/ OFF..... 6.1-179  
 COLOR ON/OFF..... 4.20-6  
 COLORS..... 4.20-3, 4.20-6  
 COM INTERFACE..... 4.18-12, 6.1-316  
 COMMENT SCREEN A/B..... 6.1-181  
 COMPRESSED MODE..... 6.1-255  
 CONFIGURE NETWORK..... 4.18-16  
 CONT DEMOD..... 4.13-10, 6.1-69  
 CONT MEAS..... 4.15-31, 6.1-182, 6.1-183  
 CONTINUE SGL SWEEP..... 4.8-2, 6.1-182, 6.1-183  
 CONTINUOUS SWEEP 4.7-10, 4.8-1, 6.1-182, 6.1-183  
 COPY..... 4.19-15, 4.19-16, 6.1-192  
 COPY LIMIT LINE..... 4.16-5, 6.1-34  
 COPY TRACE..... 4.10-8, 6.1-342  
 COUPLING DEFAULT..... 4.7-7, 6.1-246, 6.1-290  
 COUPLING RATIO..... 4.7-5, 6.1-246  
 CP/ACP ABS/REL..... 4.15-17, 6.1-285  
 CP/ACP CONFIG..... 4.15-14, 6.1-38, 6.1-284  
 CP/ACP ON/OFF..... 4.15-9, 6.1-76, 6.1-77, 6.1-81  
 CP/ACP STANDARD..... 4.15-10, 6.1-81  
 DATA SET CLEAR..... 4.19-11, 6.1-198  
 DATA SET CLEAR ALL..... 6.1-198  
 DATA SET LIST..... 4.19-11  
 DATAENTRY OPAQUE..... 4.17-4  
 dBm..... 4.6-2, 6.1-109, 6.1-357  
 dBmV..... 4.6-2, 6.1-109, 6.1-357  
 dBpW..... 4.6-2, 6.1-109, 6.1-357  
 dBµA..... 4.6-2, 6.1-109, 6.1-357  
 dBµV..... 4.6-2, 6.1-109, 6.1-357  
 DC LEVEL..... 6.1-148  
 DECIM SEP..... 4.10-8, 4.19-17, 6.1-176  
 DEFAULT COLORS..... 4.17-4, 6.1-151, 6.1-177  
 DEFAULT CONFIG..... 4.19-10, 6.1-200  
 DEFAULT SETTINGS..... 4.15-30, 6.1-105  
 DELETE..... 4.18-5, 4.19-15, 6.1-194, 6.1-197, 6.1-264  
 DELETE LIMIT LINE..... 4.16-5, 6.1-34  
 DELETE LINE..... 4.18-9  
 DELETE VALUE..... 4.16-10  
 DETECTOR..... 4.10-11, 6.1-266  
 DETECTOR AUTOPEAK..... 4.10-11, 6.1-266  
 DETECTOR AVERAGE..... 4.10-13, 6.1-266  
 DETECTOR MAX PEAK..... 4.10-12, 6.1-266  
 DETECTOR MIN PEAK..... 4.10-12, 6.1-266  
 DETECTOR QPK..... 4.10-13, 6.1-266  
 DETECTOR RMS..... 4.10-12, 6.1-266  
 DETECTOR SAMPLE..... 4.10-12, 6.1-266  
 DISPLAY LINE 1..... 4.16-12  
 DISPLAY PWR SAVE..... 4.17-5, 6.1-150  
 EDIT..... 4.18-5, 4.18-6, 6.1-263  
 EDIT ACP LIMITS4.15-19, 6.1-38, 6.1-39, 6.1-40, 6.1-41, 6.1-42, 6.1-43, 6.1-44, 6.1-45  
 EDIT COMMENT..... 4.19-8, 6.1-200  
 EDIT LIMIT LINE4.16-7, 6.1-33, 6.1-47, 6.1-48, 6.1-50, 6.1-51, 6.1-52, 6.1-53, 6.1-54  
 EDIT PATH..... 4.19-8, 4.19-14, 6.1-192, 6.1-197  
 ENABLE ALL ITEMS..... 4.19-10, 6.1-200  
 ENTER PASSWORD..... 4.18-25, 6.1-322  
 EXCLUDE LO..... 4.14-7, 6.1-59  
 EXT AM..... 4.21-17  
 EXT AMFSP..... 6.1-295  
 EXT FM..... 4.21-17  
 EXT FMFSP..... 6.1-296  
 EXT I/Q..... 4.21-18  
 EXT I/QFSP..... 6.1-295  
 EXT SOURCE..... 4.22-12  
 EXT SRC ON/OFF..... 4.22-12, 6.1-298  
 EXTERN..... 4.9-2, 6.1-293, 6.1-349  
 FAST ACP ON/OFF..... 4.15-12, 6.1-288  
 FILE MANAGER..... 4.19-13, 6.1-192  
 FILTER TYPE..... 4.7-7, 6.1-247  
 FIRMWARE UPDATE..... 4.18-27, 6.1-320  
 FM..... 4.13-10, 6.1-68, 6.1-349  
 FORMAT DISK..... 4.19-17, 6.1-194  
 FREE RUN..... 4.9-1, 6.1-349  
 FREQUENCY LINE 1/2..... 4.16-12  
 FREQUENCY OFFSET4.4-5, 4.21-15, 4.22-11, 6.1-272  
 FREQUENCY OFFSETFSP..... 6.1-296  
 FREQUENCY SWEEP..... 4.22-15, 6.1-299, 6.1-300  
 FULL SCREEN..... 4.17-2, 6.1-150  
 FULL SIZE DIAGRAM..... 4.15-12  
 FULL SPAN..... 4.5-1, 6.1-271  
 GATE DELAY..... 4.9-6, 6.1-292  
 GATE LENGTH..... 4.9-6, 6.1-292  
 GATE MODE LEVEL/EDGE..... 4.9-5, 6.1-292  
 GATE SETTINGS..... 4.9-5, 6.1-291  
 GATED TRIGGER..... 4.9-4, 6.1-291, 6.1-293  
 GEN REF INT/EXT..... 4.22-16  
 GENERAL SETUP..... 4.18-10  
 GPIB..... 4.18-10  
 GPIB ADDRESS..... 4.18-10, 6.1-313  
 GPIB LANGUAGE..... 4.18-11  
 GRID ABS/REL..... 4.6-4, 6.1-153  
 GRID MIN LEVEL..... 6.1-155  
 HARDCOPY ABORT..... 6.1-177  
 HARDWARE INFO..... 4.18-21, 6.1-6, 6.1-147  
 HOR SYNC..... 4.9-9, 6.1-352  
 I/Q Input 50 1k..... 6.1-187  
 ID STRING FACTORY..... 4.18-10  
 ID STRING USER..... 4.18-10  
 IF POWER..... 4.9-2, 6.1-293, 6.1-349, 6.1-351  
 INPUT CAL..... 4.18-24, 4.18-25, 6.1-145, 6.1-146  
 INPUT RF..... 4.18-24, 4.18-25, 6.1-145  
 INSERT VALUE..... 4.16-10  
 INSTALL OPTION..... 4.18-18  
 ITEMS TO SAVE/RECALL..... 4.19-9, 6.1-198  
 LAST SPAN..... 4.5-1  
 LEFT LIMIT..... 4.13-8, 4.14-3, 6.1-56, 6.1-57  
 LIMIT ON/OFF..... 4.15-4, 6.1-56  
 LINES 625 / 525..... 4.9-10, 6.1-352  
 LOCAL..... 4.3-1, 5.6  
 LOGO ON/OFF..... 4.17-4, 6.1-150  
 MAIN PLL BANDWIDTH..... 4.7-9  
 MAKE DIRECTORY..... 4.19-14, 6.1-196  
 MANUAL..... 4.4-3  
 MARKER 1 to 44.12-2, 6.1-22, 6.1-23, 6.1-55, 6.1-56, 6.1-59  
 MARKER DEMOD..... 4.13-9, 6.1-68  
 MARKER NORM/DELTA..... 4.12-2, 6.1-20  
 MARKER ZOOM..... 4.12-7, 6.1-67  
 MAX HOLD..... 6.1-119  
 MAX HOLD..... 4.10-2, 6.1-156  
 MAX HOLD ON/OFF4.15-5, 6.1-86, 6.1-88, 6.1-89, 6.1-91  
 MEAN..... 4.15-4, 6.1-88  
 MIN..... 4.14-5, 6.1-24, 6.1-61  
 MIN HOLD..... 6.1-119  
 MIN HOLD..... 4.10-5, 6.1-156  
 MIXER LOW NOISE..... 4.6-3  
 MKR -> CF STEPSIZE..... 4.14-4, 6.1-72  
 MKR -> TRACE .4.12-3, 4.13-10, 4.14-4, 6.1-21, 6.1-56  
 MKR DEMOD ON/OFF..... 4.13-9, 6.1-69

- MKR STOP TIME..... 4.13-10, 6.1-69  
 MODULATION ..... 4.21-16  
 MODULATION DEPTH ..... 4.15-34, 6.1-70  
 MODULATION OFF ..... 4.21-18  
 MODULATION OFFFSP ..... 6.1-295, 6.1-296  
 MULT CARR ACP ..... 4.15-9  
 N dB DOWN..... 4.13-6, 6.1-65, 6.1-66, 6.1-67  
 NAME4.16-7, 6.1-33, 6.1-34, 6.1-47, 6.1-48, 6.1-51, 6.1-53  
 NETWORK..... 4.22-1  
 NETWORK..... 4.22-2  
 NETWORK LOGIN..... 4.18-17  
 NEW..... 4.18-5, 4.18-6  
 NEW LIMIT LINE4.16-7, 6.1-33, 6.1-34, 6.1-47, 6.1-48, 6.1-50, 6.1-52  
 NEXT MIN..... 4.14-5, 6.1-24, 6.1-61, 6.1-62  
 NEXT MIN LEFT ..... 4.14-5  
 NEXT MIN RIGHT ..... 4.14-5  
 NEXT PEAK..... 4.14-2, 6.1-23, 6.1-24, 6.1-25, 6.1-60  
 NEXT PEAK LEFT ..... 4.14-3  
 NEXT PEAK RIGHT ..... 4.14-2  
 NO OF SAMPLES ..... 4.15-29, 6.1-104  
 NO. OF ADJ CHAN ..... 4.15-14, 6.1-284  
 NO. OF TX CHAN ..... 4.15-14, 6.1-284  
 NOISE CORR ON/OFF ..... 4.15-11, 6.1-288  
 NOISE MEAS ..... 4.13-2, 6.1-68  
 NOISE SRC ON/OFF ..... 4.18-2, 6.1-146  
 NORMALIZE ..... 4.21-7, 4.22-5, 6.1-260  
 NUMBER OF SWEEPS..... 6.1-118  
 NUMBER OF SWEEPS..... 4.15-6, 6.1-291  
 OCCUP BW ON/OFF .... 4.15-23, 6.1-76, 6.1-77, 6.1-81  
 OCCUPIED BANDWIDTH..... 4.15-23, 6.1-76  
 OPTIMIZED COLORS..... 4.20-7  
 OPTIONS..... 4.18-18  
 PEAK ..... 4.13-2, 4.14-1, 4.15-3, 6.1-23, 6.1-60, 6.1-85  
 PEAK EXCURSION ..... 4.13-8, 4.14-5, 6.1-62  
 PEAK LIST..... 4.13-7, 6.1-63  
 PEAK LIST OFF..... 4.13-8, 6.1-63  
 PEAK SEARCH..... 4.13-6, 4.13-8  
 PERCENT MARKER..... 4.15-28, 6.1-59  
 PH NOISE ON/OFF..... 4.13-5, 6.1-27  
 PHASE NOISE..... 4.13-4, 6.1-27  
 POLARITY POS/NEG .... 4.9-2, 4.9-5, 6.1-292, 6.1-352  
 POWER ABS/REL..... 4.15-5, 6.1-92  
 POWER OFFSET..... 6.1-297  
 POWER ON/OFF4.15-3, 6.1-85, 6.1-87, 6.1-88, 6.1-90, 6.1-92  
 PREAMP..... 4.18-3, 6.1-186  
 PREDEFINED COLORS4.17-6, 4.20-8, 6.1-152, 6.1-178  
 PRINT SCREEN..... 4.9-6, 4.20-2, 6.1-180, 6.1-197  
 PRINT TABLE..... 4.20-2, 6.1-180, 6.1-181, 6.1-197  
 PRINT TRACE..... 4.20-2, 6.1-180, 6.1-181, 6.1-197  
 PULSE FREQ..... 6.1-148  
 PWR OFFSET..... 4.21-3, 4.22-2  
 RANGE LIN % dB ..... 6.1-155  
 RANGE LINEAR..... 4.6-2, 6.1-155  
 RANGE LINEAR % ..... 4.6-2  
 RANGE LINEAR dB ..... 4.6-2  
 RANGE LOG 100 dB..... 4.6-1, 6.1-155  
 RANGE LOG MANUAL ..... 4.6-2, 6.1-155  
 RBW / VBW MANUAL ..... 4.7-6, 6.1-248  
 RBW / VBW NOISE [10]..... 4.7-6, 6.1-248  
 RBW / VBW PULSE [1]..... 4.7-6, 6.1-248  
 RBW / VBW SINE [1/3]..... 4.7-5, 6.1-248  
 RECALL ..... 4.19-7, 4.22-8, 6.1-195, 6.1-262  
 REF FXD ON/OFF ..... 4.12-5, 6.1-25  
 REF LEVEL ..... 4.6-1, 6.1-154  
 REF LEVEL = MKR LVL..... 4.14-2, 6.1-72  
 REF LEVEL COUPLED..... 4.17-3, 6.1-189  
 REF LEVEL OFFSET..... 4.6-4, 6.1-154  
 REF LEVEL POSITION..... 4.6-4, 6.1-155  
 REF POINT FREQUENCY..... 4.12-5, 4.13-6, 6.1-27  
 REF POINT LEVEL..... 4.12-5, 4.13-5, 6.1-26  
 REF POINT LVL OFFSET ..... 4.12-5, 4.13-5, 6.1-26  
 REF POINT TIME ..... 4.12-6, 6.1-27  
 REF POINT x-LEVEL..... 4.12-6, 6.1-27  
 REF VALUE..... 4.21-9, 4.22-7, 6.1-154  
 REF VALUE POSITION..... 4.21-8, 4.22-6, 6.1-155  
 REFERENCE FIXED ..... 4.12-5, 6.1-25  
 REFERENCE INT/EXT ..... 4.18-2, 6.1-289  
 REMOVE OPTION..... 4.18-18  
 RENAME ..... 4.19-15, 6.1-196  
 RES BW ..... 4.15-29, 6.1-116, 6.1-245  
 RES BW AUTO..... 4.7-4, 6.1-246  
 RES BW MANUAL..... 4.7-3, 6.1-116, 6.1-245  
 RESTORE FIRMWARE ..... 4.18-27  
 RF ATTEN AUTO ..... 4.6-3, 6.1-184  
 RF ATTEN MANUAL..... 4.6-3, 4.6-5, 6.1-184  
 RF INPUT 50  $\Omega$  / 75  $\Omega$ ..... 4.6-4, 6.1-186  
 RF INPUT AC/DC ..... 4.6-2  
 RF POWER ..... 4.9-8, 6.1-349, 6.1-351  
 RIGHT LIMIT ..... 4.13-8, 4.14-3, 6.1-56, 6.1-57  
 RMS..... 4.15-3, 6.1-87  
 SATURATION..... 4.17-6, 4.20-8, 6.1-151, 6.1-178  
 SAVE..... 4.19-6, 6.1-197  
 SAVE LIMIT LINE ..... 4.16-10  
 SAVE TRD FACTOR ..... 4.18-9  
 SCALING ..... 4.15-29, 6.1-104  
 SCREEN COLORS..... 4.20-7  
 SCREEN TITLE ..... 4.17-4, 6.1-153  
 SEARCH LIMIT OFF..... 4.14-4, 6.1-56  
 SEARCH LIMITS ..... 4.14-3, 6.1-56  
 SEARCH NEXT LEFT..... 6.1-24, 6.1-25, 6.1-62  
 SEARCH NEXT RIGHT ... 6.1-24, 6.1-25, 6.1-60, 6.1-62  
 SELECT GENERATOR4.22-13, 6.1-313, 6.1-314, 6.1-315  
 SELECT ITEMS..... 4.19-10, 6.1-198, 6.1-199  
 SELECT LIMIT LINE4.16-3, 6.1-32, 6.1-33, 6.1-50, 6.1-53  
 SELECT MARKER..... 4.13-2, 4.14-1, 4.15-37, 6.1-55  
 SELECT OBJECT..... 4.17-5, 4.20-7  
 SELECT TRACE 4.4-5, 4.10-2, 4.15-19, 6.1-83, 6.1-288  
 SELFTEST..... 4.18-26, 6.1-7  
 SELFTEST RESULTS ..... 4.18-26, 6.1-147  
 SERVICE..... 4.18-24, 6.1-145  
 SET CP REFERENCE..... 4.15-11, 6.1-286  
 SET REFERENCE ..... 4.15-5, 6.1-92  
 SET TO DEFAULT..... 4.20-8  
 SGL SWEEP DISP OFF ..... 4.8-3, 6.1-183  
 SHIFT X LIMIT LINE..... 4.16-10, 6.1-48  
 SHIFT Y LIMIT LINE..... 4.16-10, 6.1-54  
 SIGNAL COUNT ..... 4.12-4, 6.1-58  
 SIGNAL STATISTIC ..... 4.15-28  
 SIGNAL TRACK..... 4.4-5, 6.1-82  
 SINGLE MEAS ..... 4.15-31, 6.1-182, 6.1-183  
 SINGLE SWEEP..... 4.8-1, 6.1-182, 6.1-183  
 SOFT FRONT PANEL ..... 4.18-19  
 SORT MODE..... 4.19-16  
 SORT MODE FREQ/LEVEL ..... 4.13-8  
 SOURCE CAL..... 4.21-5, 4.22-3  
 SOURCE ON/OFF ..... 4.21-2  
 SOURCE POWER..... 4.21-3, 4.22-2, 6.1-297, 6.1-300  
 SPAN MANUAL ..... 4.5-1, 6.1-271  
 SPAN/RBW AUTO [50]..... 4.7-6, 6.1-246  
 SPAN/RBW MANUAL ..... 4.7-7, 6.1-246  
 SPLIT SCREEN..... 4.17-2, 6.1-150  
 STANDARD DEVIATION ..... 4.15-4, 6.1-90  
 START ..... 4.4-4, 6.1-271  
 START LIMIT..... 4.15-4, 4.15-5, 6.1-57  
 STARTUP RECALL ..... 4.19-12, 6.1-196  
 STATISTICS ..... 4.18-22, 6.1-5  
 STEPSIZE MANUAL..... 4.4-4  
 STOP..... 4.4-4, 6.1-272  
 STOP LIMIT..... 4.15-4, 4.15-5, 6.1-57  
 SWEEP COUNT ..... 6.1-118  
 SWEEP COUNT ..... 4.8-2, 4.10-4, 6.1-291

- SWEEP POINTS ..... 4.8-3, 6.1-293  
 SWEEP TIME ..... 6.1-118  
 SWEPTIME AUTO ..... 4.7-5, 4.8-2, 6.1-290  
 SWEPTIME MANUAL ..... 6.1-118  
 SWEPTIME MANUAL ..... 4.5-1, 4.7-4, 4.8-2, 6.1-290  
 SYSTEM INFO ..... 4.18-20  
 SYSTEM MESSAGES ..... 4.18-23, 6.1-319, 6.1-320  
 T1-T2 ..... 4.10-14, 6.1-101  
 T1-T3 ..... 4.10-14, 6.1-101  
 THRESHOLD ..... 4.13-8, 4.14-3, 6.1-107, 6.1-108  
 TIME DOM POWER ..... 4.15-2, 6.1-85, 6.1-87, 6.1-88, 6.1-90  
 TIME LINE 1/2 ..... 4.16-12  
 TIME+DATE ..... 4.18-15, 6.1-319, 6.1-323  
 TIME+DATE ON/OFF ..... 4.17-4, 6.1-153  
 TINT ..... 4.17-6, 4.20-8, 6.1-151, 6.1-178  
 TOI ..... 4.15-36, 6.1-71  
 TRACE MATH ..... 4.10-14, 6.1-101  
 TRACE MATH OFF ..... 4.10-14, 6.1-102  
 TRACE POSITION ..... 4.10-14, 6.1-101  
 TRACK BW ..... 4.4-5, 6.1-82  
 TRACK ON/OFF ..... 4.4-5, 6.1-82  
 TRACK THRESHOLD ..... 4.4-5, 6.1-83  
 TRACKING ..... 4.21-2  
 TRANSDUCER ..... 4.18-4, 6.1-263  
 TRANSDUCER FACTOR ..... 4.18-4, 6.1-263, 6.1-264  
 TRIGGER OFFSET ..... 4.9-2, 6.1-352  
 TV TRIG SETTINGS ..... 4.9-9  
 TV TRIGGER ON/OFF ..... 4.9-9, 6.1-294  
 UNIT ..... 4.6-2, 6.1-109, 6.1-357  
 USER DEFINED ..... 4.20-7  
 VALUES ..... 4.16-10, 6.1-47, 6.1-49, 6.1-52  
 VBW LIN LOG ..... 4.7-10, 6.1-248  
 VERT SYNC ..... 4.9-9, 6.1-353  
 VERT SYNC EVEN FIELD ..... 4.9-9, 6.1-353  
 VERT SYNC ODD FIELD ..... 4.9-9, 6.1-353  
 VIDEO ..... 4.9-1, 6.1-349, 6.1-351  
 VIDEO BW AUTO ..... 4.7-4, 6.1-247  
 VIDEO BW MANUAL ..... 4.7-3, 6.1-247  
 VIDEO POL POS / NEG ..... 4.9-10, 6.1-353  
 VIEW ..... 6.1-119  
 VIEW ..... 4.10-4, 6.1-156  
 VOLT ..... 4.6-2, 6.1-109, 6.1-357  
 WATT ..... 4.6-2, 6.1-109, 6.1-357  
 X \* RBW ..... 4.4-3, 6.1-270, 6.1-271  
 X \* SPAN ..... 4.4-2, 6.1-270, 6.1-271  
 X OFFSET ..... 4.16-5, 6.1-48  
 X-AXIS RANGE ..... 4.15-30, 6.1-105  
 X-AXIS REF LEVEL ..... 4.15-29, 6.1-104  
 Y OFFSET ..... 4.16-5, 6.1-50, 6.1-53  
 Y-AXIS MAX VALUE ..... 4.15-30, 6.1-105  
 Y-AXIS MIN VALUE ..... 4.15-30, 6.1-105  
 YIG CORR ON/OFF ..... 4.11-2  
 ZERO SPAN ..... 4.5-1, 6.1-271  
 ZOOM x-AXIS ..... 4.9-6  
 Zuordnung Befehl ..... 6.4-1
- Softkey**  
 ACLR ..... 6.1-139  
 CCDF ..... 6.1-139  
 CHAN TABLE VALUES ..... 6.1-141  
 DATA ..... 6.1-258  
 MAC ..... 6.1-258  
 MAPPING AUTO ..... 6.1-253  
 MAPPING COMPLEX ..... 6.1-253  
 MAPPING I OR Q ..... 6.1-253  
 OCCUPIED BANDWIDTH ..... 6.1-139  
 PILOT ..... 6.1-258  
 POWER ..... 6.1-139  
 PREAMBLE ..... 6.1-258  
 RESTORE STD TABLES ..... 6.1-144  
 SELECT CODE ..... 6.1-253  
 SPECTRUM EM MASK ..... 6.1-139  
**Softkey** GRID MIN LEVEL ..... 6.1-155
- Span ..... 4.5-1  
 Special characters ..... 6.1-2  
 Spectrum analyzer mode ..... 4.4.1  
 Spinwheel ..... 3.12  
 Split screen ..... 3.8, 4.17-2  
 Squelch ..... 4.13-9  
 SRE (service request enable register) ..... 5.21  
 SRQ (service request) ..... 5.21, 5.31  
 Standard deviation ..... 4.15-4  
 Standard, mobile radio ..... 4.15-10  
 Start frequency ..... 4.4-4  
 Statistics ..... 4.15-26  
 Status byte (STB) ..... 5.21  
 Status information ..... 3.4  
     IFOVL ..... 3.5  
     OVEN ..... 3.5  
     OVL ..... 3.5  
     UNCAL ..... 3.4  
 STATus OPERation register ..... 5.23  
 STATus QUEStionable register ..... 5.24  
     ACPLimit register ..... 5.25  
     FREQuency register ..... 5.26  
     LIMit register ..... 5.27  
     LMARgin register ..... 5.28  
     POWer register ..... 5.29  
     SYNC ..... 5.30  
 Status register  
     CONDition part ..... 5.19  
     ENABLE part ..... 5.19  
     ESE ..... 5.22  
     ESR ..... 5.22  
     EVENT part ..... 5.19  
     NTRansition part ..... 5.19  
     overview ..... 5.20  
     PPE ..... 5.22  
     PTRansition part ..... 5.19  
     SRE ..... 5.21  
     STATus OPERation ..... 5.23  
     STATus QUEStionable ACPLimit ..... 5.25  
     STATus QUEStionable FREQuency ..... 5.26  
     STATus QUEStionable LIMit ..... 5.27  
     STATus QUEStionable LMARgin ..... 5.28  
     STATus QUEStionable POWer ..... 5.29  
     STATus QUEStionable SYNC ..... 5.30  
     STB ..... 5.21  
     structure ..... 5.18  
     sum bit ..... 5.19  
 Status reporting system ..... 5.18  
     resetting values ..... 5.33  
 STB (status byte) ..... 5.21  
 Stepsize ..... 4.4-4  
     center frequency ..... 4.4-2  
     coupling ..... 4.4-4  
 Stop frequency ..... 4.4-4  
 Store  
     trace ..... 4.19-17  
 Storing ..... 8.1  
 String ..... 5.14  
 Suffix ..... 5.11  
 Sum bit ..... 5.19  
 Supply voltage, external noise source ..... 4.18-2  
 Sweep  
     continue single sweep ..... 4.8-2  
     continuous ..... 4.8-1  
     count ..... 4.8-2  
     coupling ..... 4.7-1  
     free run ..... 4.9-1  
     gated ..... 4.9-3, 4.9-4  
     settings ..... 4.8-1  
     single ..... 4.8-1  
     time ..... 4.5-1, 4.8-2  
         coupling ..... 4.7-5

Switching cycles .....	4.18-22
Switching on/off .....	1.16
SYMBOL EVM (TRACE2) .....	6.1-334, 6.1-341
Sync signal .....	4.9-9
Syntax elements of commands .....	5.14
System messages .....	4.18-23

**T**

T1-T2 (trace info) .....	3.5
T1-T3 (trace info) .....	3.5
Table	
operation .....	3.23
scrolling .....	3.25
Test	
functional .....	1.18
selftest .....	4.18-26
Text parameter .....	5.14
Third Order Intercept .....	4.15-35
Threshold	
line .....	4.14-3
signal tracking .....	4.4-5
Time .....	4.17-4
input .....	4.18-15
Line .....	4.16-12
Time axis .....	4.5-1
Tint .....	4.17-6
Title for the active diagram .....	4.17-4
TOI .....	4.15-35
Trace .....	4.10-1, 4.10-2
average .....	4.10-3
averaging .....	4.10-5
blank .....	4.10-4
Clear/Write .....	4.10-2
copy .....	4.10-8
freeze .....	4.10-4
math .....	4.10-14
max hold .....	4.10-2
min hold .....	4.10-5
position for 0 difference .....	4.10-14
power measurement .....	4.15-19
select .....	4.10-1
signal tracking .....	4.4-5
Trace info .....	3.5
Tracking generator .....	4.21-1
Transducer	
Activating .....	4.18-3
Entry .....	4.18-6
Transmission measurement .....	4.21-4, 4.22-3
Transmission parameters RS-232-C/COM .....	8.8
TRG (enhancement table) .....	3.6
Trigger	
external .....	4.9-2
external gate .....	4.9-4
free run .....	4.9-1
gated sweep .....	4.9-5
IF power .....	4.9-2
offset .....	4.9-2
RF power .....	4.9-8
slope .....	4.9-2
sweep .....	4.9-1
video .....	4.9-1
TV trigger .....	4.9-9

**U**

UNCAL .....	3.4
Unit	
level axis .....	4.6-2
limit line .....	4.16-8
Unit (key) .....	3.11
Universal command .....	8.5
Upper case .....	6.1-2
USB connection .....	8.11
User Interface .....	8.10

**V**

Vertical sync signal .....	4.9-9
Video bandwidth .....	4.7-3
Video polarity .....	4.9-10
Video triggering .....	4.9-1
VIEW (trace info) .....	3.5
View trace .....	4.10-4

**W**

WCDMA FDD BTS and MS .....	6.1-250
White space .....	5.14
Windows NT .....	1.19
administrator .....	1.19
login .....	1.19
password .....	1.19
Windows-XP Servicepacks .....	1.19

**Z**

Zero span .....	4.5-1
Zoom .....	4.12-7
amplitude .....	4.10-4
x-AXIS (gate signal) .....	4.9-6