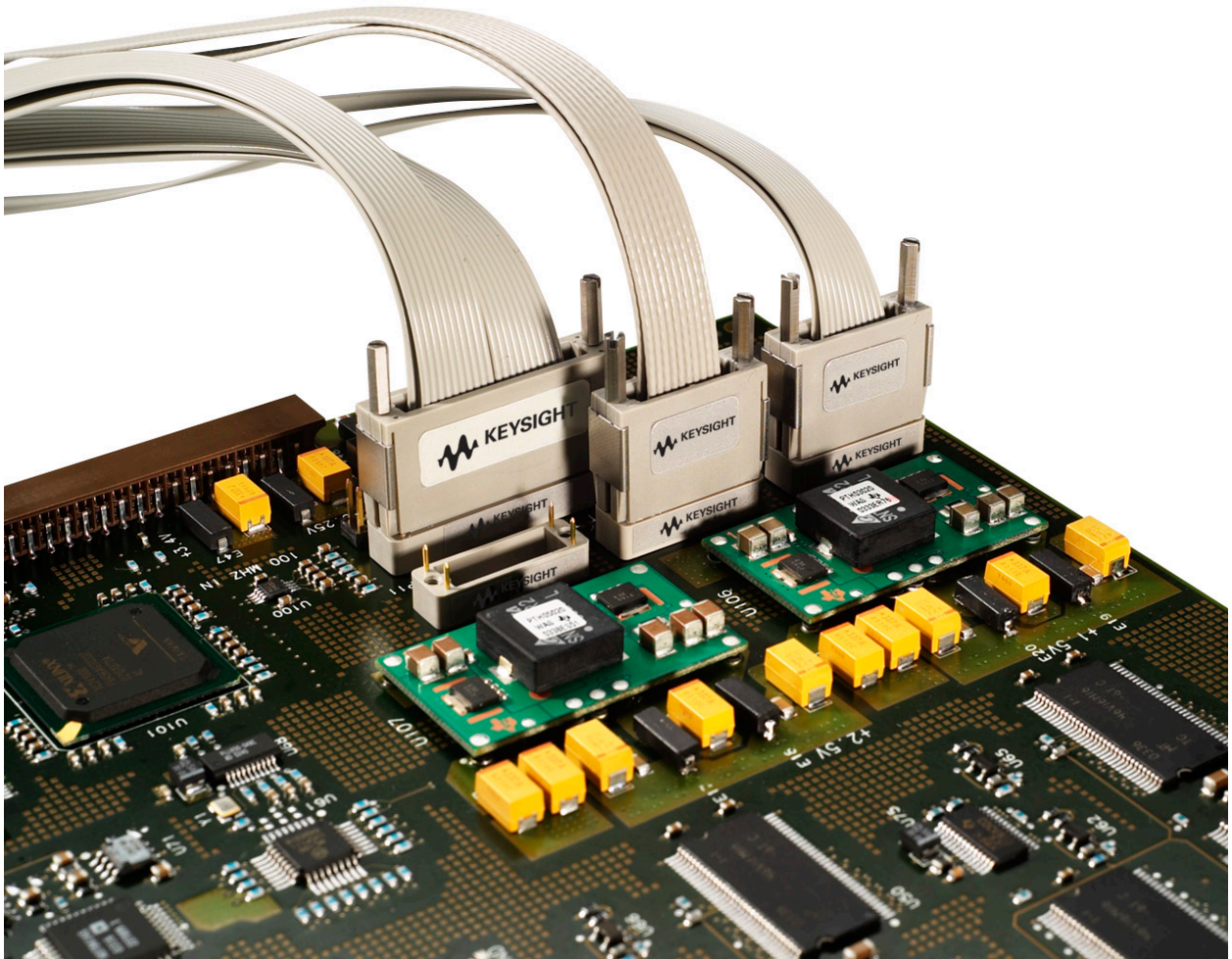


Keysight Technologies

Probing Solutions for Logic Analyzers

Data Sheet



Bring the full power of your Keysight Technologies, Inc. logic analyzer to your project with high quality probing solutions

- Wide range of solutions to meet your measurement needs
- Soft Touch Connectorless probing
- High-density, high-performance probing solutions
- General-purpose probing

Table of Contents

Reliable Connections Ensure Accuracy	3
Which Logic Analyzer?	3
Probe Selection Guide for All Keysight Logic Analyzers	4
Selecting the Optimum Probing Strategy	7
Probing Solutions for 40-pin Logic Analyzers	9
General-Purpose Probing	10
Designing for Logic Analysis Probing	12
Soft Touch Connectorless Probing	13
Mictor and Samtec Probing	24
Custom Probing	32
Probing Solutions for 90-pin Logic Analyzers	37
General-Purpose Probing	37
Soft Touch Connectorless Probing	43
Mictor and Samtec Probing	60
High-Speed Timing Probing	63
General-Purpose Probing Flying Lead Probing Accessories	64
40-pin and 90-pin Logic Analyzers Probe Cables	65
Related Information	66

Reliable Connections Ensure Accuracy

Signal frequency content drives probing solutions

Faster clock rates demand tighter timing tolerances, such as setup and hold specifications. Systems with faster clock rates usually have shorter rise and fall times. Signals with shorter transition times have more high frequency content and are more susceptible to high frequency analog problems such as cross talk, reflections, ground bounce, noise and emissions. Susceptibility of a system to analog problems relates to the transition times of the signals, not the clock rate. A system with slow transition times cannot have high clock rates. However, it is possible for a system with slower clock rates to have signals with very fast transition times.

General-purpose probing solutions provide the analog bandwidth required to run each logic analyzer module at its maximum clock rate. The high input impedance of these probes, especially at high frequencies, presents a minimal load to most systems. Systems that are operating with little margin should be designed with consideration for both the system components and the input impedance of the probing solution being used during debug. Input impedance specifications or equivalent load diagrams can be found for each of the probing solutions described in this document.

- Impedance
High input impedance ensures minimum intrusion on your circuit. Although many probes might be acceptable for lower frequencies, capacitive loading becomes significant at higher frequencies. The Keysight probing products perform over a wide frequency spectrum.
- Ruggedness
Probes with quality mechanical design provide solid electrical connections. Intermittent open circuits would only add one more variable to your debugging equation. Keysight probes are mechanically designed to relieve strain and ensure rugged, reliable connection.
- Immunity to Noise
Electromagnetic noise can corrupt data captured by the logic analyzer. Keysight probing solutions are designed for a high immunity to transient noise.
- Performance
Keysight logic analyzers have front-end circuitry that supports the state and timing specifications of the analyzer. This circuitry, together with the Keysight probing solutions described in this document, will accurately capture the target signals at the specified clock rates.

Which Logic Analyzer?

Keysight logic analyzers have two methods of connection to the probes. One uses a 3M-style connector with two rows of 20 pins on 0.1-inch centers, as illustrated in Figure 1.1. Probes for these analyzers are identified in this document as “for analyzers with 40-pin pod connectors.”

The other style uses a 90-pin, high-density connector, as illustrated in Figure 1.2. Probes for these analyzers are identified in this document as “for analyzers with 90-pin pod connectors.”

Currently available Keysight logic analyzers in these two groups are as follows:

40-pin pod connector (pages 10 to 36)

16911A

16910A

16800 Series benchtop analyzers

90-pin pod connector (pages 37 to 63)

16950B, 16951B

16962A and U4154A

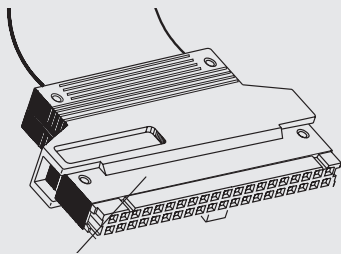


Figure 1.1. 40-pin pod connector

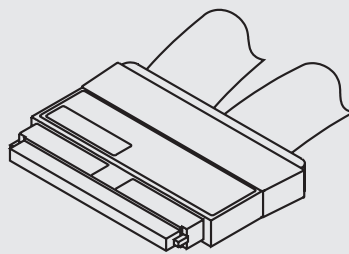


Figure 1.2. 90-pin pod connector

Other considerations

Physical connection compatibility between various Keysight probes may allow you to mix and match a variety of probes and accessories. However, a probe accessory designed for slower clock speeds will not deliver high-speed target performance simply because it is used with a higher speed analyzer module. Also, the serial connection of multiple probe leads and/or accessories will degrade signal integrity.

Probe Selection Guide for All Keysight Logic Analyzers

Compatible with Keysight models 16910A/11A, 16800 Series, 16750/51/52A/B, 1674X Series, 1671x Series, 165xx Series modules, 1690 Series, 1680 Series, 1670 Series, 1660 Series, 1650 Series, and E9340 logic analyzers.



	Soft touch connectorless probes Supplied with five retention modules			Samtec probe	Mictor probe	General purpose flying lead set
Model number	E5396A	E5404A	E5394A	E5385A	E5346A	E5383A
Application	Quick connection to many channels in a small footprint without a header designed into the target system			Quick connection to many signals in a small footprint	Quick connection to many signals in a small footprint	Flexible connection to individual signals
Number of channels	17 16 data, 1 clock	34 32 data, 2 clock	34 32 data, 2 clock	34 32 data, 2 clock	34 32 data, 2 clock	17 16 data, 1 clock
Supported signal types	All probes: single-ended clock, single-ended data					
Maximum data rate	> 2.5 Gb/s	> 2.5 Gb/s	> 2.5 Gb/s	1.5 Gb/s	Equivalent to the logic analyzer data rate the probe is attached to	Equivalent to the logic analyzer data rate the probe is attached to
Minimum signal amplitude	500 mV p-p	500 mV p-p	500 mV p-p	500 mV p-p	500 mV p-p ¹	600 mV p-p
Connection to target system	Requires half-size soft touch footprint designed into the target	Requires Pro Series soft touch footprint designed into the target	Requires original soft touch footprint designed into the target	Requires 100-pin Samtec connector designed into the target system	Requires 38-pin Mictor connector designed into the target system ²	Compatible with a wide assortment of accessories to connect to individual leads
Input capacitance	< 0.7 pF	< 0.7 pF	< 0.7 pF	1.5 pF	3.0 pF	1.5 pF
Additional supplies	Additional five retention modules	Additional five retention modules	Additional five retention modules	See Table 1 page 29 for pc board connectors and shrouds	See Table 1 page 29 for pc board connectors and shrouds	See Figure 2.3 page 9 for additional leads and grabbers
Orderable as	Order kit E5396-68702	Order kit E5403A	Order kit E5387-68701			

1. Model E5339A low voltage Mictor probe = 250 mV p-p

2. Model E5351A Unterminated Mictor probe requires isolation networks to be provided on the target system. See page 27 for details.

Probe Selection Guide for All Keysight Logic Analyzers (Continued)

Compatible with Keysight logic analyzers U4154A, 16962A, 16951B, 16950A/B, 16760A, 16756A, 16755A, 16754A, and 16753A.



Soft touch connectorless probes All soft touch probes are supplied with 5 retention modules

Model number	E5398A	E5406A E5402A ¹	E5390A	E5405A	E5387A
Application	Quick connection to many channels in a small footprint without a header designed into the target				
Number of channels	17 16 data, 1 clock	34 32 data, 2 clocks	34 32 data, 2 clocks	17 16 data, 1 clock	17 16 data, 1 clock
Supported signal types	Differential or single-ended clock single-ended data			Differential or single-ended clock and or data	
Maximum data rate	> 2.5 Gb/s	> 2.5 Gb/s	> 2.5 Gb/s	> 2.5 Gb/s	> 2.5 Gb/s
Minimum signal amplitude	250 mV _{p-p}	250 mV _{p-p}	250 mV _{p-p}	$V_{max} - V_{min}$ 200 mV	$V_{max} - V_{min}$ 200 mV
Connection to target system	Requires half-size soft touch footprint designed into the target	Requires Pro Series soft touch footprint designed into the target	Requires original soft touch footprint designed into the target	Requires Pro Series soft touch footprint designed into the target system	Requires original soft touch footprint designed into the target system
Input capacitance	< 0.7 pF	< 0.7 pF	< 0.7 pF	< 0.7 pF	< 0.7 pF
Kit of 5 additional retention modules	E5396-68702	E5403A	E5387-68701	E5403A	E5387-68701

1. The E5402A Soft Touch Pro probe is a low profile right angle version of the E5406A above.

Probe Selection Guide for All Keysight Logic Analyzers (Continued)

Compatible with Keysight logic analyzers U4154A, 16962A, 16951B, 16950A/B, 16760A, 16756A, 16755A, 16754A, and 16753A.





	Samtec probes		Mictor probes	General purpose flying lead sets	
Model number	E5378A	E5379A	E5380A/B	E5382A	E5381A
Application	Quick connection to many channels in a small footprint			Flexible connection to many signals	
Number of channels	34 32 data, 2 clocks	17 16 data, 1 clock	34 32 data, 2 clocks	17 16 data, 1 clock	17 16 data, 1 clock
Supported signal types	Differential or single-ended clock single-ended data	Differential or single-ended clock and or data	Single-ended clock single-ended data	Differential or single-ended clock single-ended data	Differential or single-ended clock and or data
Maximum data rate	1.5 Gb/s	1.5 Gb/s	600 Mb/s	1.5 Gb/s	1.5 Gb/s
Minimum signal amplitude	250 mV _{p-p}	$V_{max} - V_{min}$ 200 mV	300 mV _{p-p}	250 mV _{p-p}	$V_{max} - V_{min}$ 200 mV
Connection to target system	Requires 100-pin Samtec connector designed into the target system	Requires 100-pin Samtec connector designed into the target system	Requires 38-pin Mictor connector designed into the target system	Compatible with a wide assortment of accessories to connect to individual leads	Compatible with a wide assortment of accessories to connect to individual leads
Input capacitance	1.5 pF	1.5 pF	3.0 pF	1.3 pF	0.9 pF
Additional supplies	See Table 8 page 60 for shrouds and pc board connectors			See Table 5 page 36	See Figure 5.4 page 39

Note: E5386A half-channel transition adapter provides transition between probes and 16760A logic analyzer cables. Use to reduce the number of probes and connectors required to run in half channel mode. Adapter maps to even channels to all pins of an E5387A, E5379A, E5387A, E5390A, E5405A, or E5406A.



Selecting the Optimum Probing Strategy

What is the best way to probe your signals, given their unique characteristics?

Available probing options for all Keysight logic analyzers		
	Connectorless	Connector Samtec
		
Connection to the target system	Requires appropriate pro series soft touch or original soft touch footprint designed into the target system. Retention module is used for alignment and mechanical retention only.	Requires 100-pin Samtec connector designed into the target system
Advantages	<ul style="list-style-type: none"> - Reduces cost and shortens the design cycle by eliminating a connector - Eliminates the capacitive loading of a connector, which gives you the lowest-loading (less than 0.7 pF), highest-performance (> 2.5 Gb/s rate) logic analyzer probing option available - Pliable micro spring-pin design with four-point crown tip allows you to easily attach and get a reliable, repeatable contact even for contaminated or uneven board surfaces - Flow through signal routing streamlines design flow and maintains differential pair spacing to ensure constant differential-mode impedance and virtually eliminate stubs - Acquire high-speed single-ended or differential signals without impacting the performance of your circuit, while providing an accurate representation to the logic analyzer - Provides ability to attach retention module to probe and browse multiple signals by pressing the probe against the target device - Compatible with all board finishes, including lead free 	<ul style="list-style-type: none"> - High-performance connector solution (1.5 pF loading, 1.5 Gb/s data rate) - Supports single-ended and differential signals - 3 times the performance and half the loading of Mictor solution
Disadvantages	<ul style="list-style-type: none"> - Requires up-front design of probe footprint on PCB 	<ul style="list-style-type: none"> - Added cost to include connector - Requires up-front design of connector on PCB

Selecting the Optimum Probing Strategy (Continued)

What is the best way to probe your signals, given their unique characteristics?

Available probing options for all Keysight logic analyzers		
	Connector Mictor	Flying leads
		
Connection to the target system	Requires 38-pin Mictor connector designed into the target system	Connects to individual, widely dispersed signals at IC pins, traces, pads, vias
Advantages	<ul style="list-style-type: none"> – Reliable and cost-effective solution for lower data rates (600 Mb/s) – Supports single-ended signaling – 3.0 pF capacitive loading 	<ul style="list-style-type: none"> – High-performance accessories are based on award winning, InfiniiMax scope probes – Compatible with a wide variety of accessories to connect to IC pins, traces, pads, vias – Maintains a one-to-one signal-to-ground ratio – Doesn't require up-front design effort
Disadvantages	<ul style="list-style-type: none"> – Added cost to include connector – Combination of through-hole and surface-mount technology can make signal routing and board component loading difficult – Requires up-front design of connector on PCB 	<ul style="list-style-type: none"> – More time-consuming to connect

Probing Solutions for 40-pin Logic Analyzers

General-Purpose Probing

E5383A 17-channel single-ended flying lead probe

Ideal when only a few lines may need to be probed or probe points are distributed across a target. The E5383A includes a set of 20 IC test clips and five ground leads.

Logic analysis general-purpose probes

General-purpose probing requires connecting probe leads to individual signal lines. This method is most convenient for a small to moderate number of signals, is very flexible, and can be used in conjunction with other probing methods.

Note: Any probed signal line must be able to supply a minimum of 600 mV to the probe with the specified loading.

The standard probing system

The standard probing system consists of IC clips, probe leads, probe housing and probe cable. Because it is passive, the standard probing system is smaller, lighter, and much easier to use than active probing systems. This passive probing system is similar to a probing system used on a high frequency oscilloscope. It consists of an isolation network (as shown in Figure 2.1) at the probe tip and a shielded resistive transmission line. The advantages of this system are:

- High input impedance. See Figure 2.1.
- Signal ground at the probe tip for high-speed signals.
- Inexpensive, removable probe tip assemblies.

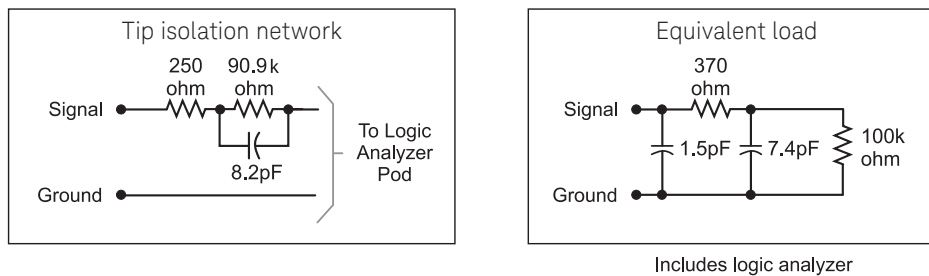


Figure 2.1. Probe tip Isolation network and equivalent load.

Probing Solutions for 40-pin Logic Analyzers General-Purpose Probing (Continued)

Probe leads and lead sets

Probe leads are configured into lead sets, which can probe 16 data channels with ground, one clock channel, and a common ground. A 17-channel probe lead set (E5383A) is shown in Figure 2.2, along with the replacement part numbers for individual components in Figure 2.3.

Each probe lead is a 12-inch, twisted-pair cable connected to the probe cable at the probe housing (see Figure 2.3). The probe tip includes a signal lead, a connector for a ground lead, and the isolation network.

The signal and ground leads can be connected directly to the target system. This requires installing 0.63 mm (0.025 inch) square pins, or round pins with a diameter of between 0.66 mm (0.026 inch) and 0.84 mm (0.033 inch) directly on the board. An IC test clip can also be used. The same specifications apply for the pin dimensions of the test clip. (See Figure 2.6 for IC test clips available from commercial sources.)

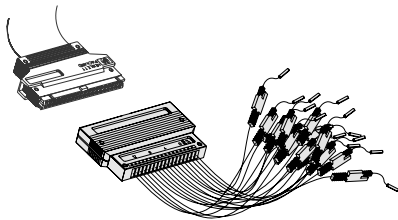


Figure 2.2. E5383A 17-channel probe lead set.

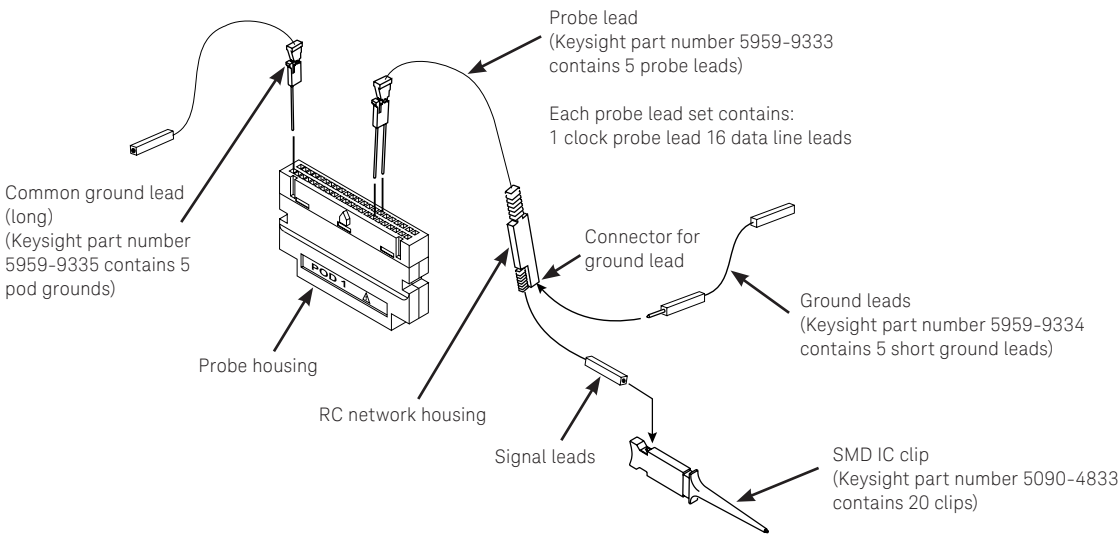


Figure 2.3. E5383A 17-channel probe lead set replacement parts.

Probing Solutions for 40-pin Logic Analyzers General-Purpose Probing (Continued)

IC clips

The surface-mount device IC clip with twin hooks (part number 5090-4833, containing 20 IC clips) is designed for fine surface-mounted component leads. The twin hook 0.5 mm IC clip (part number 10467-68701, containing four 0.5 mm IC clips), is very useful for 0.5 mm pitch components. See Figure 2.5.

Grounding

There are three methods of grounding the probe system. First, the entire probe lead set can be grounded through the common ground. This requires only one connection, but is not recommended because it will cause poor signal fidelity in systems with fast transition times. The recommended method is to individually ground each probe lead. This yields optimal signal fidelity and is required for signals with faster transition times (< 4 to 5 ns).

For moderate rise times (greater than 2 ns), it may be acceptable to ground every other (or every fourth) ground connection to the target.

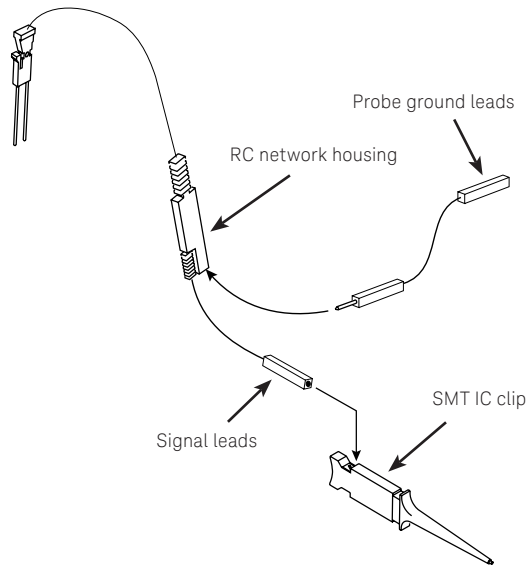


Figure 2.4. Connecting IC clips and ground leads to probes.

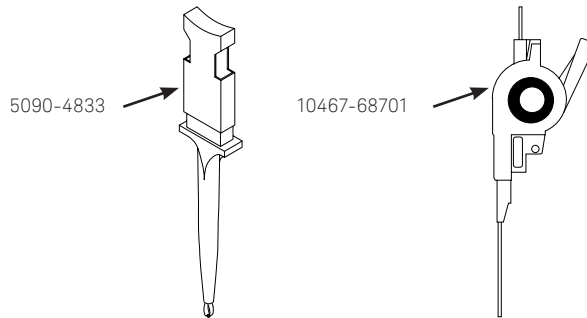


Figure 2.5. SMD IC clip and 0.5 mm IC clip.

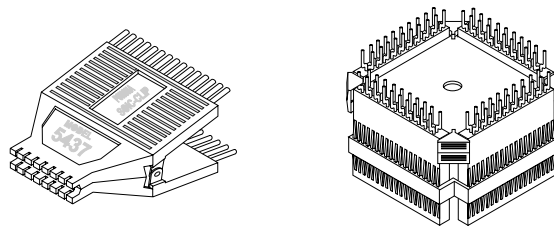


Figure 2.6. Typical IC test clips available from commercial test clip vendors.

Probing Solutions for 40-pin Logic Analyzers

Designing for Logic Analysis Probing

Keysight recommends that targets with probing constraints have connectors designed into the prototype versions of the product for effective hardware and software debug. The following should be considered when designing with connectors:

- Select the appropriate connector technology for your target speed and target density.
- Carefully select all lines for routing to the connectors that may be needed for debug.
- Group the lines at each connector for your probing convenience. For example, Keysight may have written an inverse assembler for your device that has a preconfigured signal order. Before designing, refer to the documentation for this inverse assembler for essential signal lines and order.
- Keep the routing to connectors as short as possible to minimize target impact and provide accurate data.
- Examine the impact of probing isolation networks designed into the target versus the isolation network products offered by Keysight.

An isolation network must be located between the target and the logic analyzer. It can be located on the target board in through-hole or SMT parts. It can also be attached to the logic analyzer cable with the probe leads (the isolation network is molded into the end of the probe); or the Keysight 01650-63203 isolation adapter with self contained isolation networks can be used. Probe leads can be used with connectors but are not the most convenient method. Direct connection of the connectors with the analyzer cable (isolation network parts on the target) or with a probe or isolation adapter is the faster, more convenient method.

Probing Solutions for 40-pin Logic Analyzers

Soft Touch Connectorless Probing

High-density, high-performance probes

Keysight Pro Series soft touch connectorless logic analyzer probes

Keysight has developed connectorless logic analyzer probes based on soft touch probing technology. Connectorless logic analyzer probing removes the connector that is traditionally attached to the target board and replaces it with an array of probe pads. This reduces the probe load on the target by eliminating the loading associated with the physical body of the connector. Additionally, this streamlines the design flow by eliminating the need to assign a logic analyzer connector to the bill of material of your board, procuring those connectors and then having them loaded onto your board.

Keysight's soft touch connectorless probes use micro spring-pin technology to provide reliable contact which is not dependent on the planarity of the PC board or the plating processes used to fabricate the board. No special cleaning processes are required when using Keysight's soft touch probes.

The new Keysight Pro Series soft touch connectorless probes offer a 30% smaller footprint than the original soft touch probes and are the basis for the industry standard connectorless probing footprint.

The probes use a retention module that ensures soft touch pin-to-PC board pad alignment and holds the probe in place while in use. The Pro Series soft touch uses a "top-side" mountable retention module. The retention module is mounted on the same side of the board as the probing footprint so there is no need to access the back-side of the board. Because there is no requirement for the retention module pins to extend beyond the back-side of the board, the retention module is compatible with virtually any board thickness.

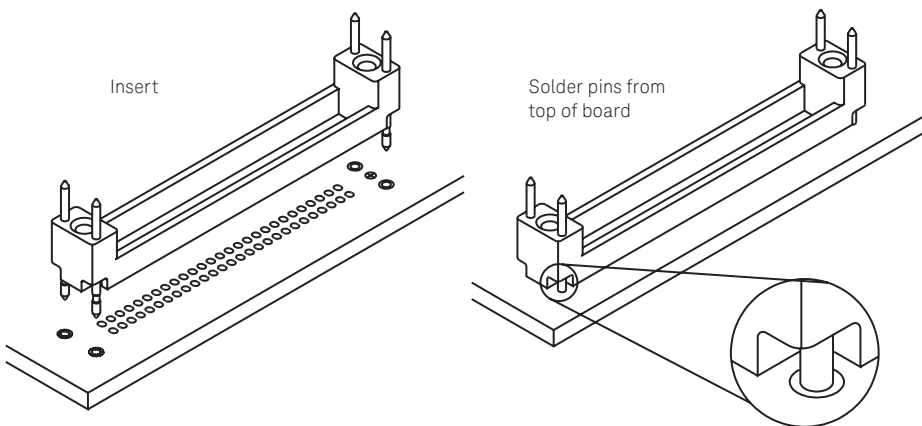


Figure 3.1. "Top-side" mountable retention module.

E5404A Pro Series soft touch connectorless probe

The E5404A is a 34-channel single-ended Pro Series soft touch connectorless probe compatible with all Keysight logic analyzers that have a 40-pin pod connector. It is capable of acquiring data at the maximum rates of the logic analyzer it is connected to.

Features

- No connector on the target board
- Top-side mount retention module
- Industry-standard connectorless footprint
- 34 channels, single-ended clock and data
- Extremely low, < 0.7 pF, equivalent load capacitance
- Capable of data rates > 2.5 Gb/s (maximum rate dependent on analyzer used)
- 500 mV p-p minimum signal amplitude
- Robust and reliable soft touch technology

Unused clock inputs can be used as data inputs.

The E5404A (used with logic analyzers with a 40-pin cable connector) uses the same footprint, pinout, and retention module as the E5406A Pro Series soft touch connectorless probe (used with logic analyzers with a 90-pin cable connector).

A kit of five retention modules is shipped with each Pro Series soft touch probe. Additional kits can be ordered using Keysight part number E5403A.

Probing Solutions for 40-pin Logic Analyzers

Soft Touch Connectorless Probing (Continued)

E5394A soft touch connectorless probe

The E5394A is a 34-channel single-ended soft touch connectorless probe compatible with all Keysight logic analyzers that have a 40-pin pod connector. It is capable of acquiring data at the maximum rates of the logic analyzer it is connected to. The probe has the following inputs:

- 32 single-ended data inputs
- Two single-ended clock inputs
- < 0.7 pf input capacitance
- 500 mV p-p minimum signal amplitude

Unused clock inputs can be used as data inputs.

The E5394A (used with logic analyzers with a 40-pin pod connector) uses the same footprint, pinout and retention module as the E5390A single-ended soft touch connectorless probe (used with logic analyzers with a 90-pin pod connector).

A kit of five retention modules is shipped with each soft touch probe. Additional kits can be ordered using Keysight part number E5387-68701.

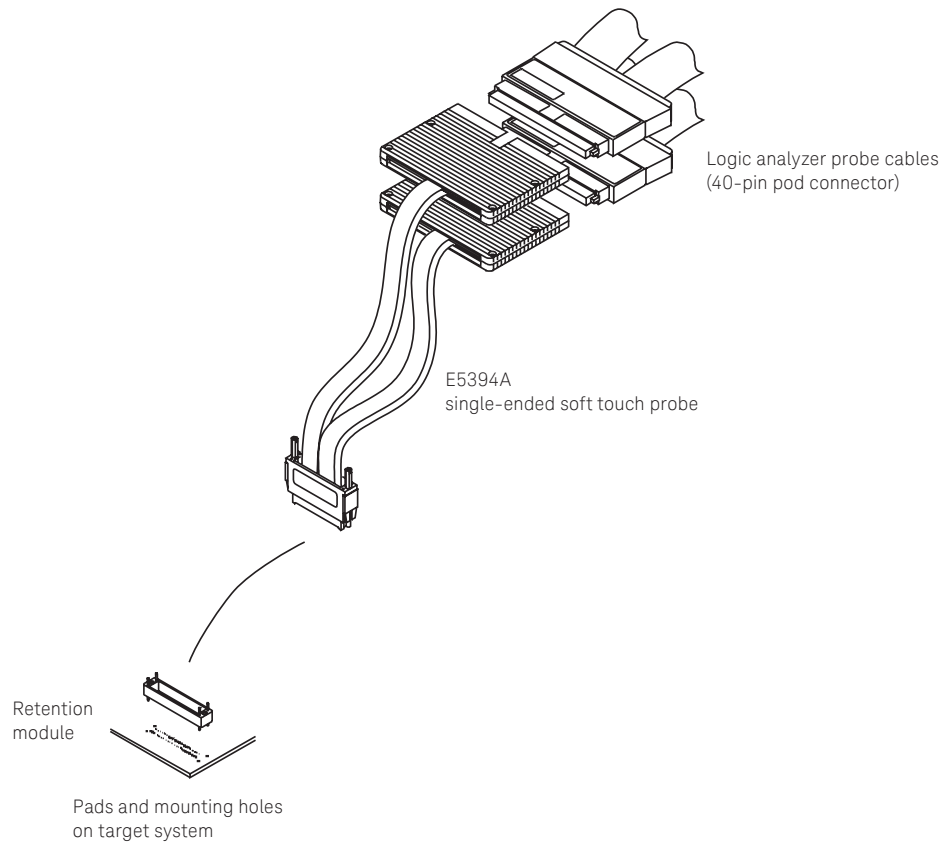


Figure 3.2. Keysight E5394A soft touch probe connection.

E5396A half-size soft touch connectorless probe

The E5396A is a small space saving probe compatible with all Keysight logic analyzers that have a 40-pin cable connector. It is a 17-channel, single-ended probe capable of capturing data at the maximum rates of the logic analyzer it is connected to. The probe has the following inputs:

- 16 single-ended data inputs
- One single-ended clock input
- < 0.7 pf equivalent load capacitance
- 500 mV p-p minimum signal amplitude

The unused clock input can be used as a data input.

The E5396A (used with logic analyzers with a 40-pin cable connector) uses the same footprint, pinout, and retention module as the E5398A single-ended soft touch connectorless probe (used with logic analyzers with a 90-pin cable connector).

More information about soft touch connectorless probes is available on the web at www.keysight.com/find/softtouch.

Probing Solutions for 40-pin Logic Analyzers

Soft Touch Connectorless Probing (Continued)

Probe dimensions

The following figures show dimensions, footprint, and pinout information you will need to design your target system board for use with the Keysight Pro Series soft touch probes.

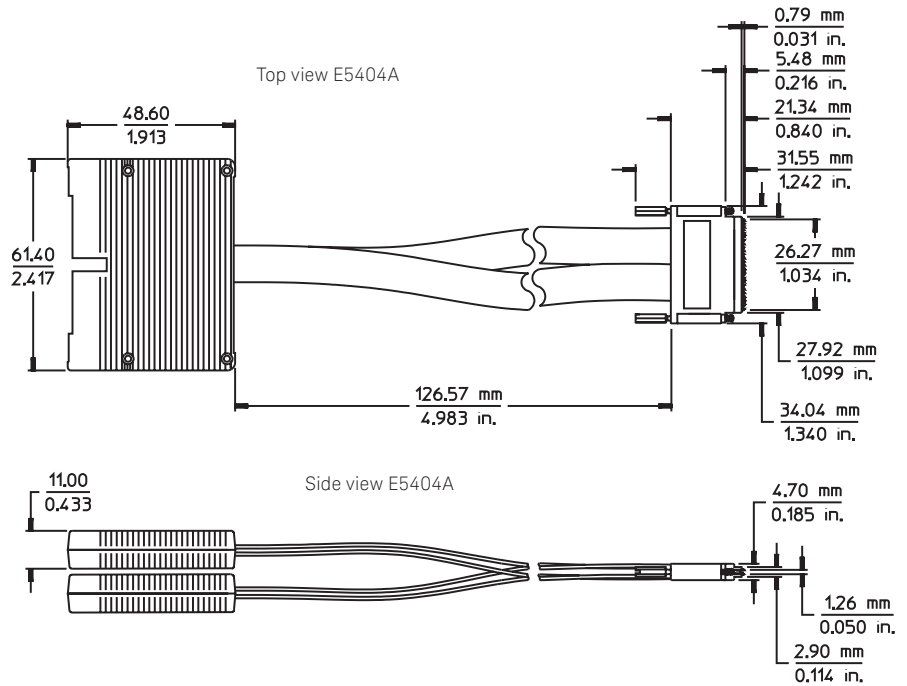


Figure 3.3. E5404A probe dimensions.

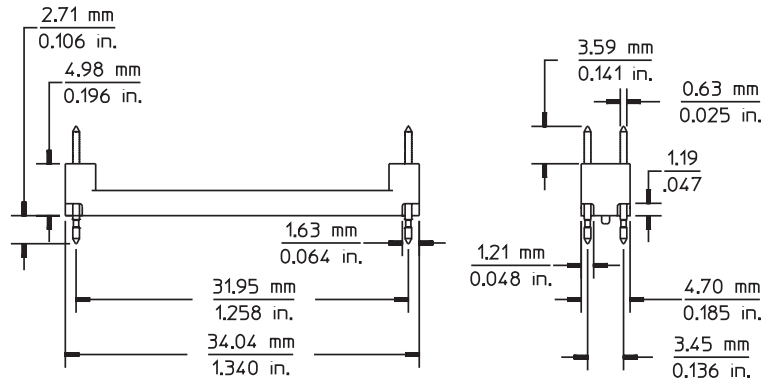


Figure 3.4. Pro Series soft touch retention module dimensions.

Probe and retention module dimensions

The following dimensions show the Pro Series soft touch probe attached to the retention module. The retention module is mounted on the PC board.

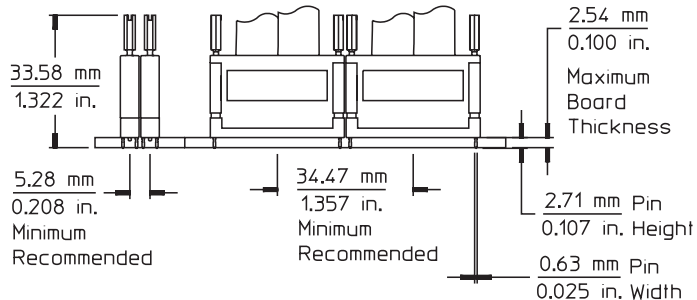


Figure 3.5. Pro Series soft touch side-by-side dimensions.

Probing Solutions for 40-pin Logic Analyzers

Soft Touch Connectorless Probing (Continued)

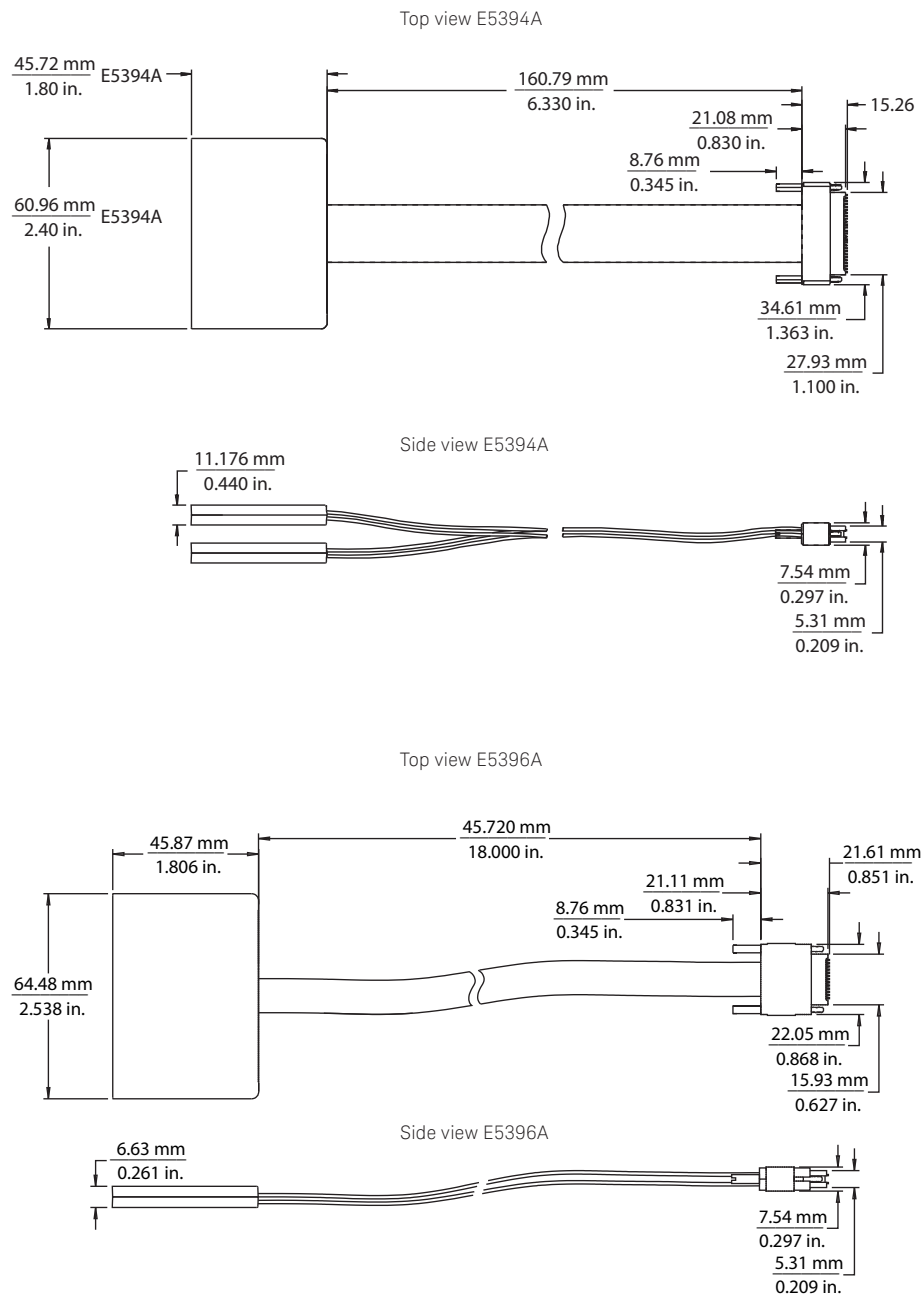


Figure 3.6. E5394A and E5396A soft touch probe dimensions.

Probing Solutions for 40-pin Logic Analyzers

Soft Touch Connectorless Probing (Continued)

Retention module dimensions

The soft touch probes are attached to the PC board using a retention module which ensures pin-to-pad alignment and holds the probe in place. A board thickness of up to 2.54 mm (0.100 inch) is recommended. Insert the retention module into the board, noting the keying pin, and solder the four alignment pins to the backside of the board.

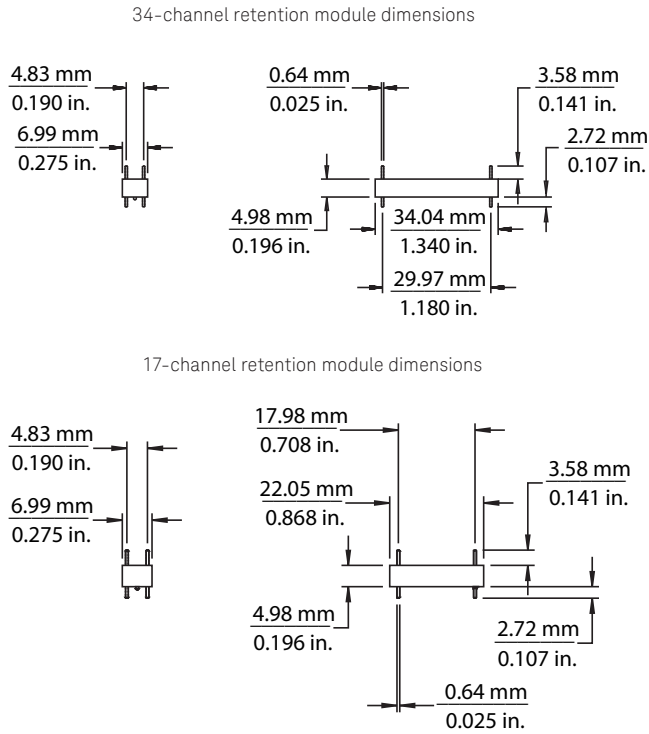


Figure 3.7. Retention module dimensions.

Probe and retention module dimensions

The following dimensions show the soft touch probe attached to the retention module. The retention module is mounted on the PC board.

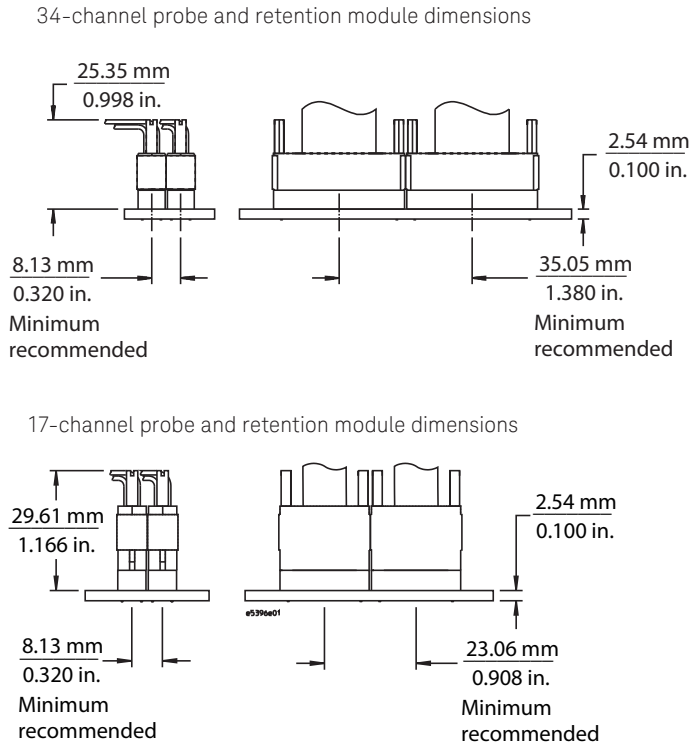


Figure 3.8. Side-by-side dimensions.

Probing Solutions for 40-pin Logic Analyzers

Soft Touch Connectorless Probing (Continued)

Drawing notes:

- 1 Maintain a solder mask web between pads when traces are routed between the pads on the same layer. The solder mask may not encroach onto the pads within the pad dimension shown.
 - 2 VIAs not allowed on these pads. VIA edges may be tangent to pad edges as long as a solder mask web between VIAs and pads is maintained.
- VIA
Pad
- 3 Surface finishes on pads should be HASL immersion silver, or gold over nickel.
 - 4 This footprint is compatible with retention module Keysight part number E5405-68702.
 - 5 This through hole is not used with the Keysight retention module.
 - 6 Plated through hole should not be tied to ground plane for thermal relief.

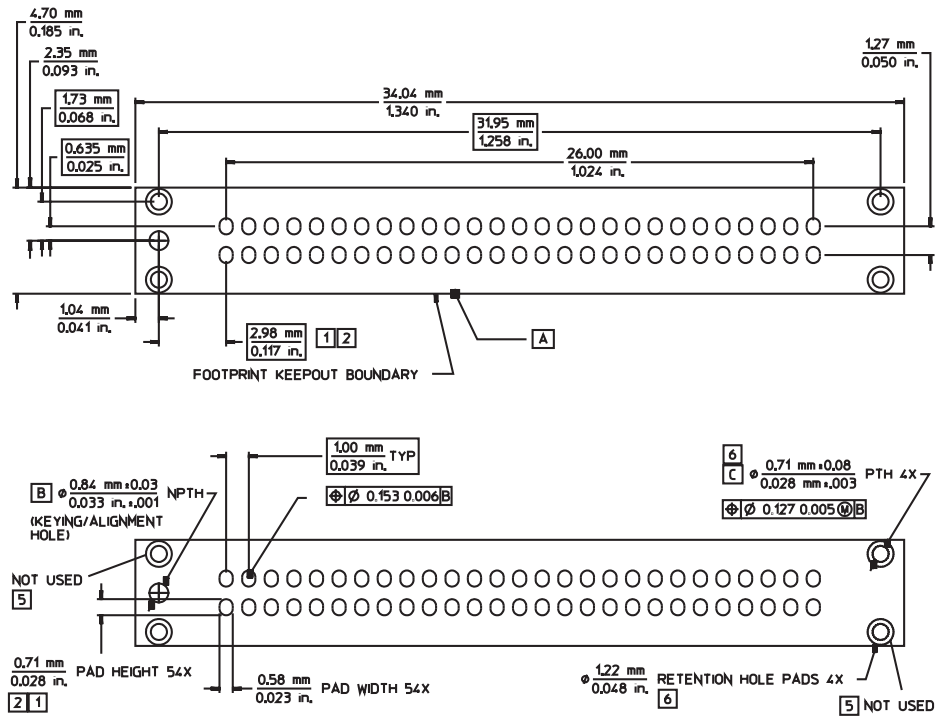


Figure 3.9. Pro Series soft touch footprint dimensions (see drawing notes).

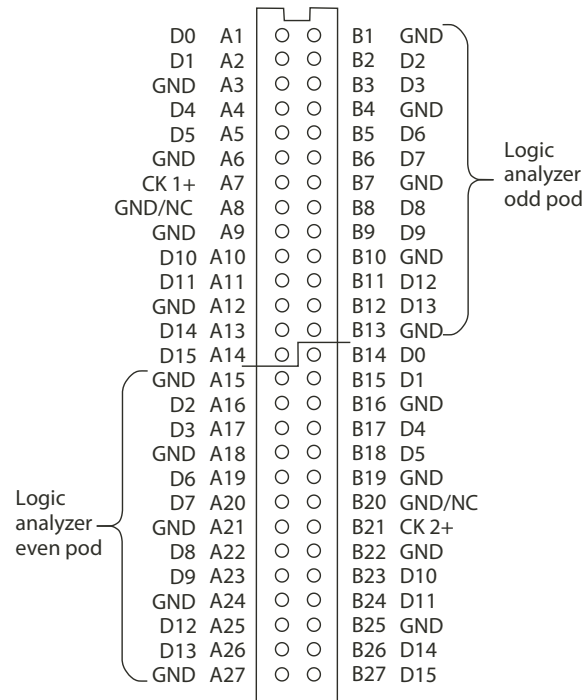


Figure 3.10. Pad numbers for E5404/06A 34-channel single-ended probes.

Probing Solutions for 40-pin Logic Analyzers

Soft Touch Connectorless Probing (Continued)

E5404/06A 34-channel single-ended probe		Logic analyzer		
Signal name	Pad #	Channel	Pod	
D0	A1	→ 0	Whichever pod is connected to "Odd" on the E5404/06A probe	
D1	A2	→ 1		
Ground	A3			
D4	A4	→ 4		
D5	A5	→ 5		
Ground	A6			
Clock 1+	A7	→ Clock		
GND/NC/Clock 1-	A8			
Ground	A9			
D10	A10	→ 10		
D11	A11	→ 11		
Ground	A12			
D14	A13	→ 14		
D15	A14	→ 15		
Ground	A15			Whichever pod is connected to "Even" on the E5404/06A probe
D2	A16	→ 2		
D3	A17	→ 3		
Ground	A18			
D6	A19	→ 6		
D7	A20	→ 7		
Ground	A21			
D8	A22	→ 8		
D9	A23	→ 9		
Ground	A24			
D12	A25	→ 12		
D13	A26	→ 13		
Ground	A27			

E5404/06A 34-channel single-ended probe		Logic analyzer		
Signal name	Pad #	Channel	Pod	
Ground	B1		Whichever pod is connected to "Odd" on the E5404/06A probe	
D2	B2	→ 2		
D3	B3	→ 3		
Ground	B4			
D6	B5	→ 6		
D7	B6	→ 7		
Ground	B7			
D8	B8	→ 8		
D9	B9	→ 9		
Ground	B10			
D12	B11	→ 12		
D13	B12	→ 13		
Ground	B13			Whichever pod is connected to "Even" on the E5404/06A probe
D0	B14	→ 0		
D1	B15	→ 1		
Ground	B16			
D4	B17	→ 4		
D5	B18	→ 5		
Ground	B19			
GND/NC/Clock 2-	B20			
Clock 2+	B21	→ Clock		
Ground	B22			
D10	B23	→ 10		
D11	B24	→ 11		
Ground	B25			
D14	B26	→ 14		
D15	B27	→ 15		

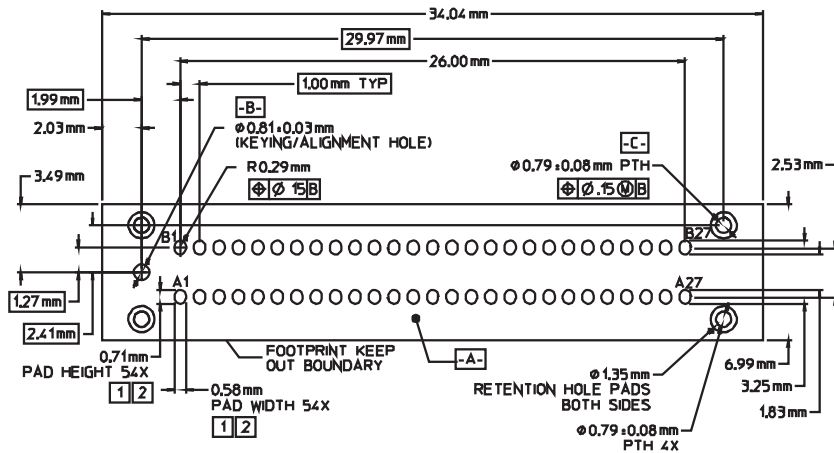
Probing Solutions for 40-pin Logic Analyzers

Soft Touch Connectorless Probing (Continued)

Probe footprint dimensions

Use these probe footprint dimensions for the PC board pads and holes for attaching the retention module.

Soft touch

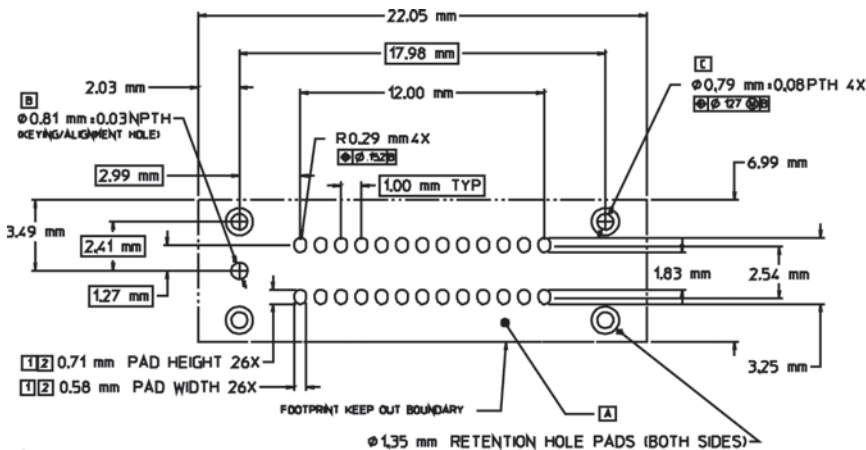


NOTES:

1. MUST MAINTAIN A SOLDER MASK WEB BETWEEN PADS WHEN TRACES ARE ROUTED BETWEEN THE PADS ON THE SAME LAYER. SOLDERMASK MAY NOT ENCRUCH ONTO THE PADS WITHIN THE PAD DIMENSION SHOWN.
2. VIA IN PAD NOT ALLOWED ON THESE PADS. VIA EDGES MAY BE TANGENT TO PAD EDGES AS LONG AS A SOLDER MASK WEB BETWEEN VIAS AND PADS IS MAINTAINED.
3. PERMISSABLE SURFACE FINISHES ON PADS ARE HASL, IMMERSION SILVER, OR GOLD OVER NICKEL.
4. FOOTPRINT IS COMPATIBLE WITH RETENTION MODULE. AGILENT PART #E5387-68702.
5. RETENTION MODULE DIMENSIONS ARE 34.04 mm x 7.01 mm x 4.98 mm TALL RELATIVE TO THE TOP SURFACE OF THE PCB. RETENTION PINS EXTEND 4.32 mm BEYOND THE BOTTOM SURFACE OF THE RM THROUGH THE PCB.
6. ASSUME NORMAL ARTWORK TOLERANCES FOR PAD SIZE DIMENSIONS

0538703

Half-size soft touch



NOTES:

1. MUST MAINTAIN A SOLDER MASK WEB BETWEEN PADS WHEN TRACES ARE ROUTED BETWEEN THE PADS ON THE SAME LAYER. SOLDERMASK MAY NOT ENCRUCH ONTO THE PADS WITHIN THE PAD DIMENSION SHOWN.
2. VIA IN PAD NOT ALLOWED ON THESE PADS. VIA EDGES MAY BE TANGENT TO PAD EDGES AS LONG AS A SOLDER MASK WEB BETWEEN VIAS AND PADS IS MAINTAINED.
3. PERMISSABLE SURFACE FINISHES ON PADS ARE HASL, IMMERSION SILVER, OR GOLD OVER NICKEL.
4. FOOTPRINT IS COMPATIBLE WITH RETENTION MODULE. AGILENT PART NUMBER E5396-68702.
5. RETENTION MODULE DIMENSIONS ARE 20.04 mm x 6.99 mm x 4.95 mm TALL RELATIVE TO THE TOP TOP SURFACE OF THE PCB. RETENTION PINS EXTEND 27.18 mm BEYOND THE BOTTOM SURFACE OF THE RM THROUGH THE PCB.

Figure 3.11. Footprint dimensions.

Probing Solutions for 40-pin Logic Analyzers

Soft Touch Connectorless Probing (Continued)

Pinout for the E5394A single-ended soft touch probe

The following graphic and table show the E5394A single-ended soft touch probe pad numbers and logic analyzer pod inputs.

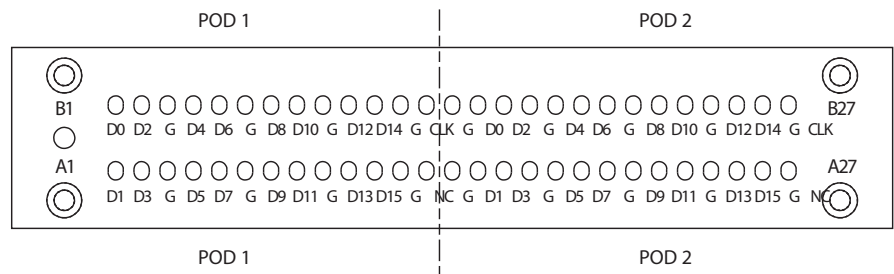


Figure 3.12. Pinout.

E5394A single-ended probe		Logic analyzer		
Signal name	Pad #	Channel	Pod	
D1	A1	→ 1	Whichever pod is connected to "Odd" on the E5394A probe	
D3	A2	→ 3		
Ground	A3			
D5	A4	→ 5		
D7	A5	→ 7		
Ground	A6			
D9	A7	→ 9		
D11	A8	→ 11		
Ground	A9			
D13	A10	→ 13		
D15	A11	→ 15		
Ground	A12			
NC	A13	→ NC		
Ground	A14			Whichever pod is connected to "Even" on the E5394A probe
D1	A15	→ 1		
D3	A16	→ 3		
Ground	A17			
D5	A18	→ 5		
D7	A19	→ 7		
Ground	A20			
D9	A21	→ 9		
D11	A22	→ 11		
Ground	A23			
D13	A24	→ 13		
D15	A25	→ 15		
Ground	A26			
NC	A27	→ NC		

E5394A single-ended probe		Logic analyzer		
Signal name	Pad #	Channel	Pod	
D0	B1	→ 0	Whichever pod is connected to "Odd" on the E5394A probe	
D2	B2	→ 2		
Ground	B3			
D4	B4	→ 4		
D6	B5	→ 6		
Ground	B6			
D8	B7	→ 8		
D10	B8	→ 10		
Ground	B9			
D12	B10	→ 12		
D14	B11	→ 14		
Ground	B12			
Clock	B13	→ Clock		
Ground	B14			Whichever pod is connected to "Even" on the E5394A probe
D0	B15	→ 0		
D2	B16	→ 2		
Ground	B17			
D4	B18	→ 4		
D6	B19	→ 6		
Ground	B20			
D8	B21	→ 8		
D10	B22	→ 10		
Ground	B23			
D12	B24	→ 12		
D14	B25	→ 14		
Ground	B26			
Clock	B27	→ Clock		

Probing Solutions for 40-pin Logic Analyzers

Soft Touch Connectorless Probing (Continued)

Pinout for the E5396A 17-channel single-ended soft touch probe

The following graphic and table show the E5396A single-ended soft touch probe pad numbers and logic analyzer pod inputs.

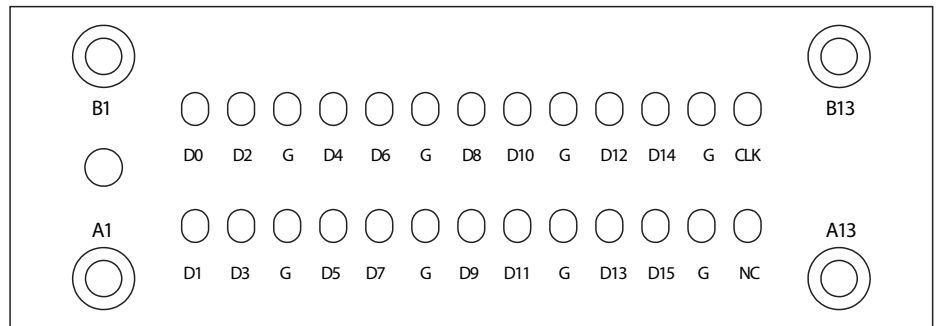


Figure 3.13. Pinout.

E5396A 17-channel single-ended probe		Logic analyzer	
Signal name	Pad #	Channel	Pod
D1	A1	→ 1	Whichever pod is plugged into the E5396A probe
D3	A2	→ 3	
Ground	A3		
D5	A4	→ 5	
D7	A5	→ 7	
Ground	A6		
D9	A7	→ 9	
D11	A8	→ 11	
Ground	A9		
D13	A10	→ 13	
D15	A11	→ 15	
Ground	A12		
NC	A13	→ n/a	

E5396A 17-channel single-ended probe		Logic analyzer	
Signal name	Pad #	Channel	Pod
D0	B1	→ 0	Whichever pod is plugged into the E5396A probe
D2	B2	→ 2	
Ground	B3		
D4	B4	→ 4	
D6	B5	→ 6	
Ground	B6		
D8	B7	→ 8	
D10	B8	→ 10	
Ground	B9		
D12	B10	→ 12	
D14	B11	→ 14	
Ground	B12		
Clock	B13	→ Clock	

Probing Solutions for 40-pin Logic Analyzers

Soft Touch Connectorless Probing (Continued)

Equivalent probe loads

The following probe load models are based on in-circuit measurements made with a Keysight 8753E 6 GHz network analyzer and a Keysight 54750A TDR/TDT using a 50 Ω test fixture. The following schematic accurately models the probe load out to 6 GHz.

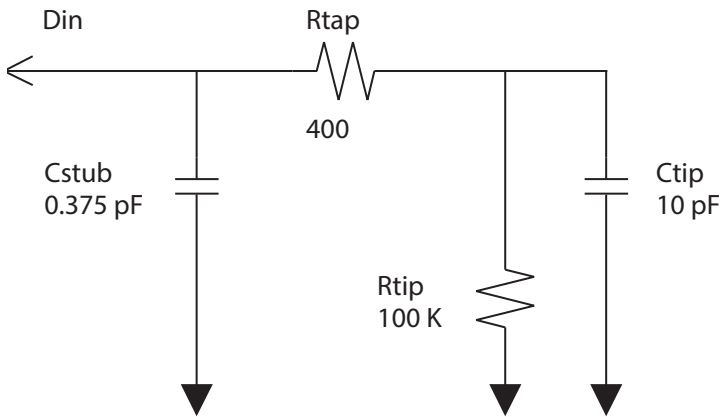


Figure 3.14. Simple (does not include capacitive coupling between channels or inductance of the spring pins).

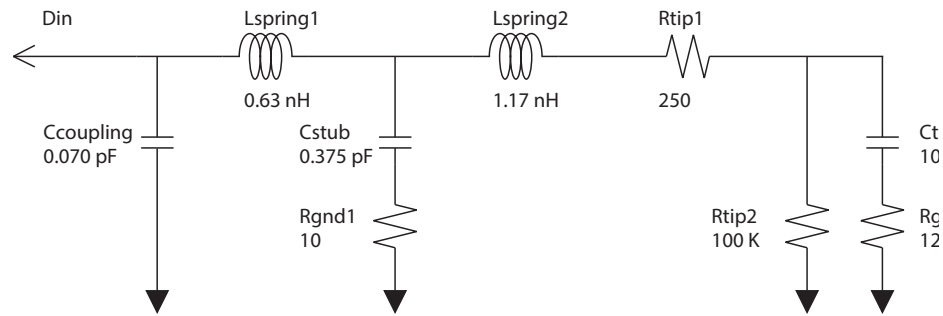


Figure 3.15. Complex (includes capacitive coupling between channels and inductance of spring pins).

Probing Solutions for 40-pin Logic Analyzers

Mictor and Samtec Probing

High-Density, High-Performance

Keysight has developed high-density probing solutions based on the 100-pin Samtec and AMP Mictor 38-pin connectors. The Keysight probes and adapter cables, E5346A, E5339A, E5351A, and E5385A, provide a connection strategy to route your important signals to the Keysight logic analyzer. Simply design the connectors onto the board for the critical signals such as address, data, and status bits. The connectors consume a minimal amount of board space. Each connector provides 32 channels of logic analysis per connector and two clocks (unused clocks can be used as data). Connectors for use with the E5385A, E5346A, E5339A, and E5351A can be purchased directly from AMP, Samtec, or Keysight. See the "Related Information" at the end of this document.

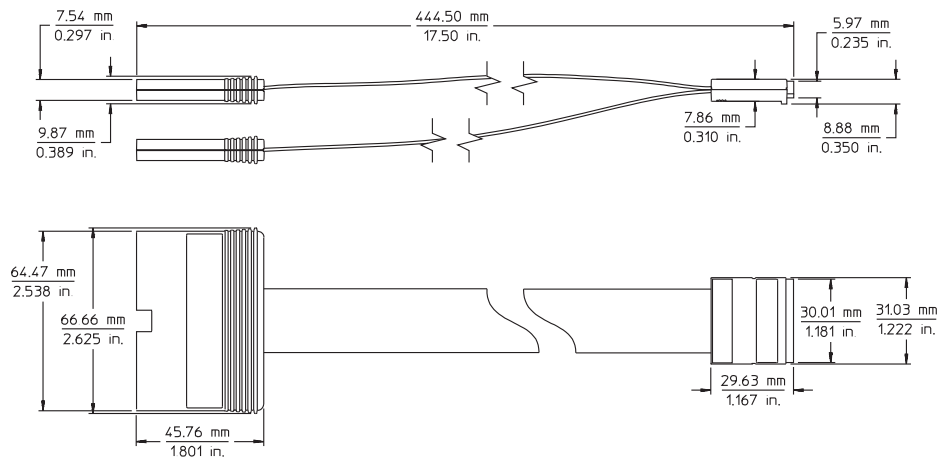


Figure 3.16. E5385A Samtec 100-pin probe mechanical dimensions.

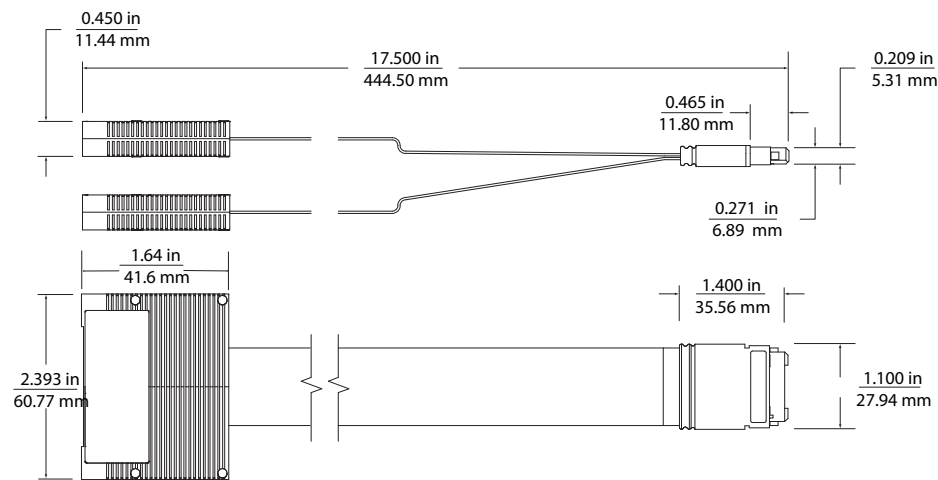


Figure 3.17. E5346A, E5351A, E5339A Mictor probes mechanical dimensions.

Probing Solutions for 40-pin Logic Analyzers

Mictor and Samtec Probing (Continued)

Keysight Technologies E5346A, E5339A, and E5385A probes

The E5346A, E5339A, and E5385A probes include the required isolation networks for the logic analyzer right at the probe tip, close to the target. The E5346A and E5385A are designed to acquire signals with peak-to-peak amplitude as low as 500 mV. The E5339A is designed to acquire signals as small as 250 mV peak-to-peak. Figure 3.18 shows the equivalent load for the E5339A, and Figure 3.19 shows the equivalent load for the E5346A. Figure 3.20 shows the equivalent load for the E5385A.

To use the E5346A, E5339A, or E5385A at high clock speeds, the following design guidelines should be observed:

- Calculate the electrical length of the probe hookup stub.
- For PC board material with $E_r=4.9$, use a propagation delay of 160 ps/inch.
- Check that the propagation delay of the probe hookup stub is less than 20% of the bus signal rise time (T_r). If it is, the E5346A, E5339A, or E5385A can be used for connection.

For example, if $E_r=4.9$, a 2.5 inch probe hookup stub generates a propagation delay of 400 ps. If T_r is > 2 ns, the E5346A, E5339A, or E5385A is a viable probing choice.

The E5346A and E5339A use the AMP Mictor 38-pin connector. The E5385A uses a 100-pin connector manufactured by Samtec. Keysight recommends the E5394A or E5385A for new applications, due to the reduced input capacitive loading and improved isolation between adjacent channels.

Equivalent load

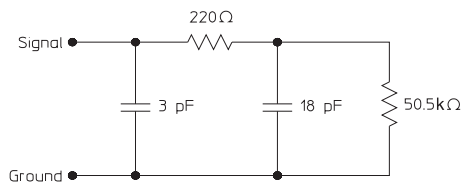


Figure 3.18. E5339A Low Voltage Mictor probe input equivalent load.

Equivalent load

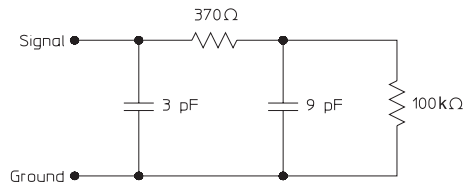


Figure 3.19. E5346A Mictor probe input equivalent load.

Equivalent load

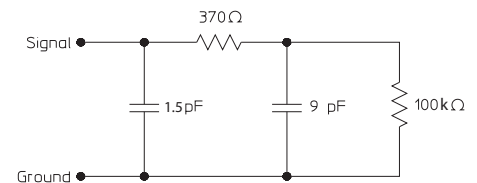


Figure 3.20. E5385A Samtec probe input equivalent load

For additional information on designing connectors into a target system, refer to the following documents:

Keysight E5346A/E5351A Probe/Adapter Cable	Installation note E5346-92014	http://literature.keysight.com/litweb/pdf/E5346-92014.pdf
Keysight E5339A Low Voltage Probe	Installation note E5339-92002	http://literature.keysight.com/litweb/pdf/E5339-92002.pdf
Keysight E5385A Probe	Installation note E5385-92001	http://literature.keysight.com/litweb/pdf/E5385-92001.pdf

Probing Solutions for 40-pin Logic Analyzers

Mictor and Samtec Probing (Continued)

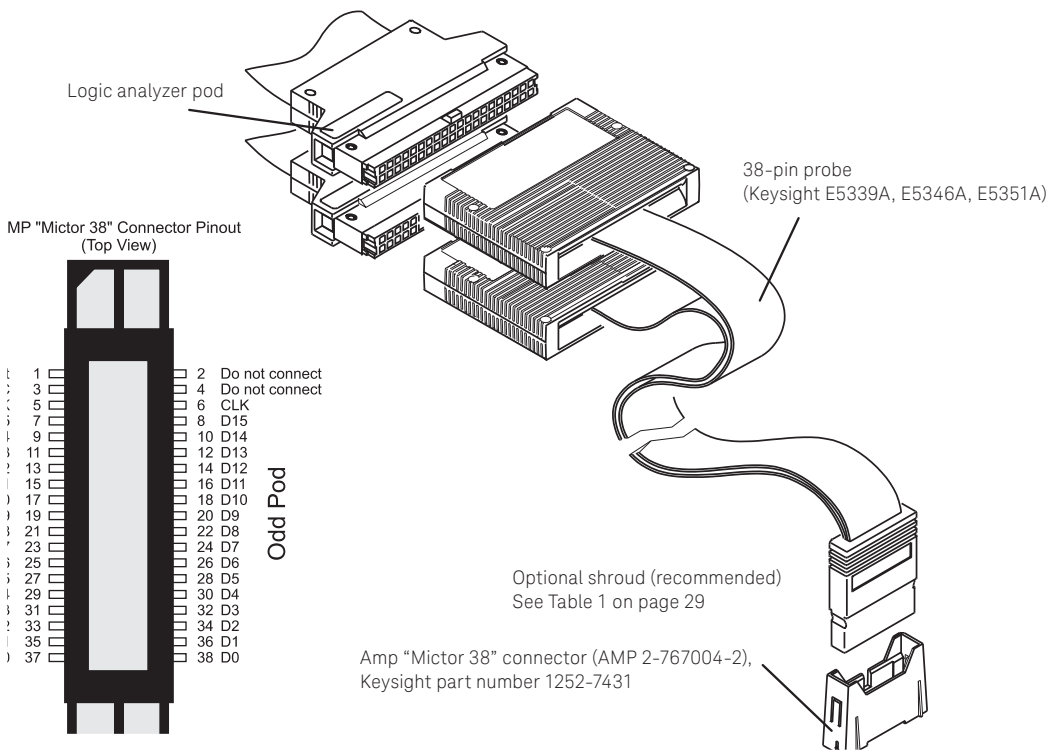


Figure 3.21. Keysight E5339A, E5346A, and E5351A connection and pinout.

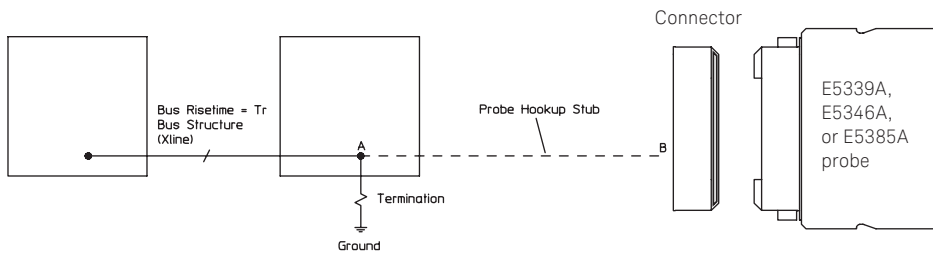


Figure 3.22. Keysight E5339A, E5346A, and E5385A design rules.

Probing Solutions for 40-pin Logic Analyzers

Mictor and Samtec Probing (Continued)

E5385A 100-pin probe pin assignments

Signal	Pin number	Signal	
Ground	1	2	Ground
Do Not Connect	3	4	Do Not Connect
Ground	5	6	Ground
Odd D0	7	8	Even D0
Ground	9	10	Ground
Odd D1	11	12	Even D1
Ground	13	14	Ground
Odd D2	15	16	Even D2
Ground	17	18	Ground
Odd D3	19	20	Even D3
Ground	21	22	Ground
Odd D4	23	24	Even D4
Ground	25	26	Ground
Odd D5	27	28	Even D5
Ground	29	30	Ground
Odd D6	31	32	Even D6
Ground	33	34	Ground
Odd D7	35	36	Even D7
Ground	37	38	Ground
Odd D8	39	40	Even D8
Ground	41	42	Ground
Odd D9	43	44	Even D9
Ground	45	46	Ground
Odd D10	47	48	Even D10
Ground	49	50	Ground
Odd D11	51	52	Even D11
Ground	53	54	Ground
Odd D12	55	56	Even D12
Ground	57	58	Ground
Odd D13	59	60	Even D13
Ground	61	62	Ground
Odd D14	63	64	Even D14
Ground	65	66	Ground
Odd D15	67	68	Even D15
Ground	69	70	Ground
NC	71	72	NC
Ground	73	74	Ground
NC	75	76	NC
Ground	77	78	Ground
Odd D16P/ Odd CLK	79	80	Even D16P/ Even CLK
Ground	81	82	Ground
NC	83	84	NC
Ground	85	86	Ground
NC	87	88	NC
Ground	89	90	Ground
NC	91	92	NC
Ground	93	94	Ground
Ground	95	96	Ground
+5V	97	98	+5V
+5V	99	100	+5V

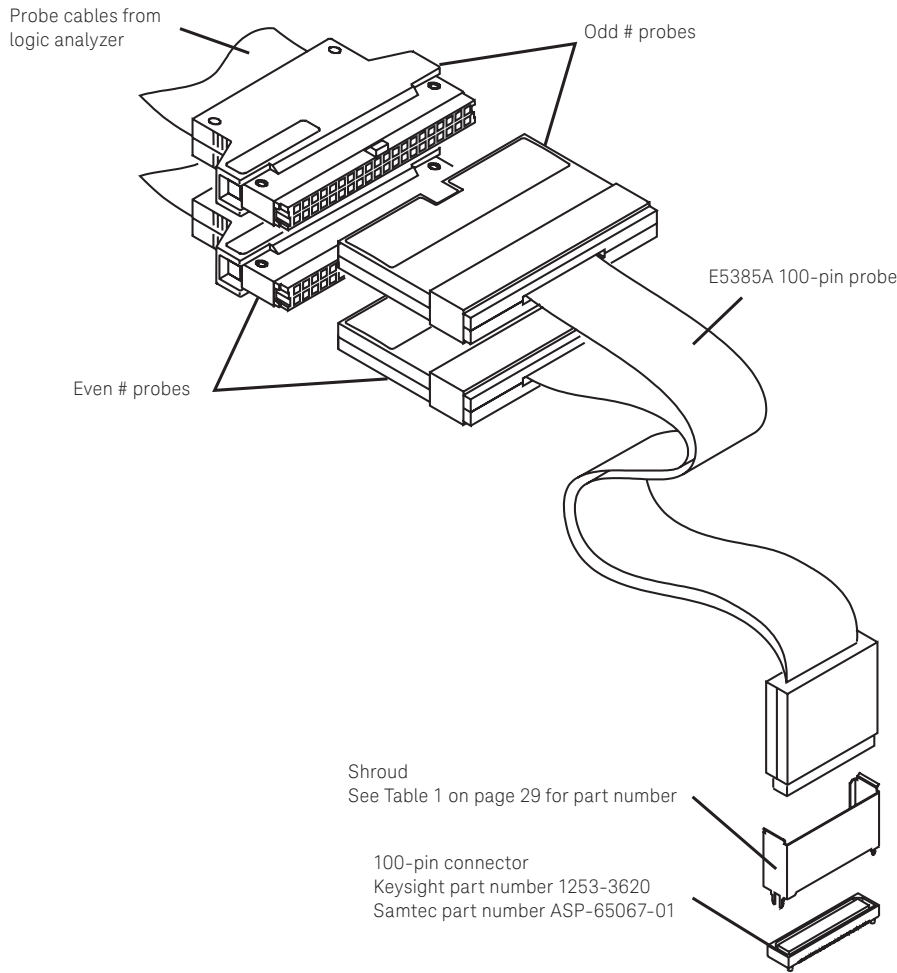


Figure 3.23. Keysight E5385A connection and pinout

Probing Solutions for 40-pin Logic Analyzers

Mictor and Samtec Probing (Continued)

Keysight E5351A 38-pin adapter cable

If the calculated electrical length of the required routing stub prohibits the use of the Keysight E5339A, E5346A, or E5385A, the Keysight E5351A can be used with the required isolation networks installed on the target.

The E5351A does not have its own internal isolation networks. When using the E5351A, place the SIP isolation networks, surface mount isolation network 5062-7396, or equivalent discrete components very near the target component for measurement. Ensure that the stub length between the target component and the isolation network is short. The stub propagation delay should be less than 20% of the bus signal rise time, as mentioned before. The transmission line from the on-board isolation network to the Mictor connector should be designed for an impedance in the range of 80 to 100 ohms (closer to 100 ohms is better). This length should not exceed 3 to 4 inches, and all signal line lengths should be equal. Signal line length variation should not cause propagation delay variation to exceed 20 ps between signal lines.

Notes on using discrete components

Discrete components can be used in the design of the RC network. Keysight recommends the circuit shown in Figure 3.25. To achieve the equivalent load shown in the figure, trace lengths should be minimized by locating the RC network very near the measured node. Actual load will be the stub length load added to the equivalent load in the figure.

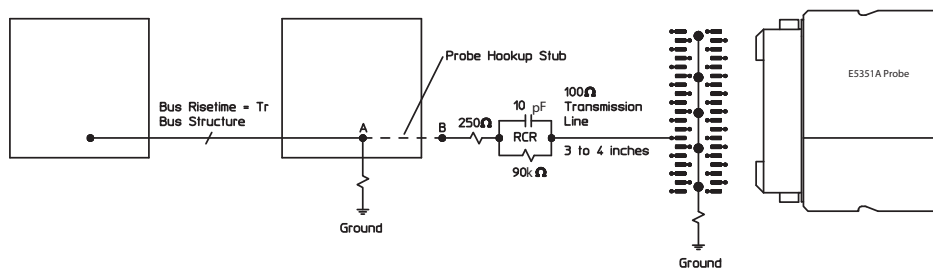


Figure 3.24. Keysight E5351A design rules.

Probing Solutions for 40-pin Logic Analyzers Mictor and Samtec Probing (Continued)

Options for on-board terminations for the E5351A

There are two options for isolating the E5351A on the target PC board:

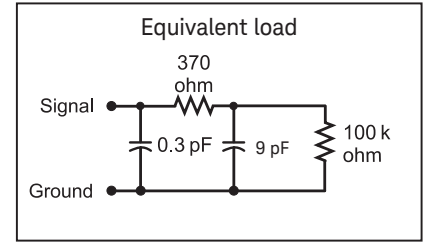
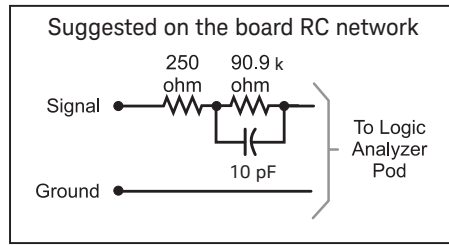
- Use the surface mount isolation network, Keysight part number 5062-7396. Refer to Figure 3.26 for schematic and pinout.
- Use discrete components. Refer to Figure 3.25 for recommended components and equivalent load.

If you are operating at state speeds above 200 MHz, you should use discrete components for best results. Due to the added electrical length of the E5351A probe cable, the divider compensating capacitors in the SIP, and surface-mount isolation networks are not optimum for the E5351A, but they are usable up to 200 MHz clock rates.

Notes on using the 5062-7396 SMT part

Keysight currently recommends a two-step process in soldering the SMT part to the board. The first pass places solder paste on those pads with vias. Application of heat allows the via to fill with solder. (If only one solder step is used, the solder wicks away from the part into the via and a solid connection will not be made with the part.) The next pass places solder paste on all of the pads.

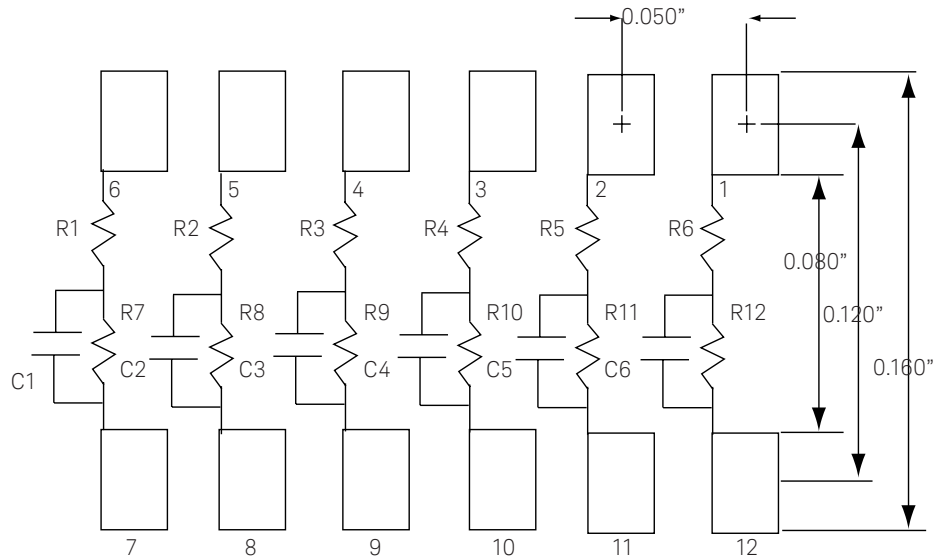
As shown in Figure 3.26, the 5062-7396 SMT isolation network supports six logic analysis channels. The size of the part allows you to repeat the pattern in Figure 3.26 to accommodate multiple parts stacked end-to-end for the number of channels needed in your application. Three of these SMTs are required for each probe cable. The process for using the ceramic hybrid isolation network is similar to the process for an LCC package. Due to the small part size, thermal expansion mismatch during solder reflow should not be a problem. Capacitance also remains stable with temperature changes.



Includes on board RC network and logic analyzer

Figure 3.25. Suggested on-board isolation network and equivalent load when using discrete components to terminate the E5351A.

1. The effective input capacitance for on-board isolation networks is purely a function of geometry - 0.3 pF is about as low as can be achieved.
2. The equivalent load is the same when using the surface-mount isolation network, 5062-7396.



Logic analyzer pod pad dimension = 0.030" x 0.040"
Resistances:
R1 through R6: 250 Ω
R7 through R12: 90.9 kΩ
Capacitance 8.2 pF

Figure 3.26. Recommended PC board pattern for 5062-7396 surface mount isolation network.

Probing Solutions for 40-pin Logic Analyzers

Mictor and Samtec Probing (Continued)

Support shrouds

A support shroud is recommended to provide additional strain relief between the probe and the connector, as shown in Figures 3.21 and 3.23. Two plated through-holes are required on the target board. The shroud is mounted directly to the target board using the through-holes. This places the shroud around the connector, providing solid mechanical strain relief. Connector kits are available; Table 1 shows the Keysight part numbers for shrouds and connector kits for various PC board thicknesses.

Table 1. Mating connectors, shrouds, and kits for Keysight E5339A, E5346A, E5351A, and E5385A probes

For probe model numbers	Description	Keysight part number
E5339A, E5346A, E5351A	Kit of five support shrouds and five 38-pin Mictor connectors for PC board thickness up to 1.57 mm (0.062")	E5346-68701
	Kit of five support shrouds and five 38-pin Mictor connectors for PC board thickness up to 3.175 mm (0.125")	E5346-68700
	One 38-pin Mictor connector (also available from AMP as part number 2-767004-2)	1252-7431
	One support shroud for PC board thickness up to 1.57 mm (0.062")	E5346-44701
	One support shroud for PC board thickness up to 3.175 mm (0.125")	E5346-44704
	One support shroud for PC board thickness up to 4.318 mm (0.700")	E5346-44703
	E5385A	Kit of five support shrouds and five 100-pin Samtec connectors for PC board thickness up to 1.57 mm (0.062")
Kit of five support shrouds and five 100-pin Samtec connectors for PC board thickness up to 3.05 mm (0.120")		16760-68703
One 100-pin Samtec connector (also available from Samtec as part number ASP-65067-01)		1253-3620
One support shroud for PC board thickness up to 1.57 mm (0.062")		16760-02302
One support shroud for PC board thickness up to 3.05 mm (0.120")		16760-02303

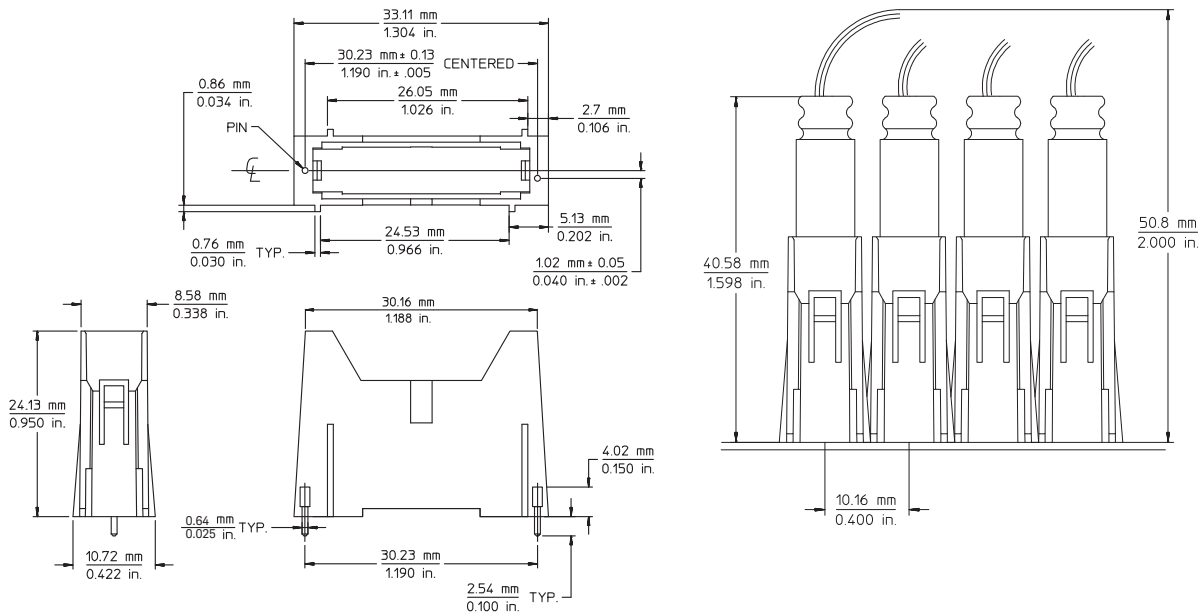


Figure 3.27. Mechanical information for E5346-44701, E5346-44703, E5346-44704 support shrouds for 38-pin Mictor connectors.

Probing Solutions for 40-pin Logic Analyzers

Mictor and Samtec Probing (Continued)

Right-angle Mictor adapter

For systems with space constraints above the 38-pin connector, Keysight offers a right-angle adapter, as shown in Figure 4.1. With the E5346-63201 right-angle adapter inserted in the 38-pin connector, the adapter cable is connected parallel to the target board surface. When using the right-angle adapters, the 38-pin connectors must be placed end-to-end on the target board, as shown in Figure 4.2. Support shrouds cannot be used with the right-angle adapter.

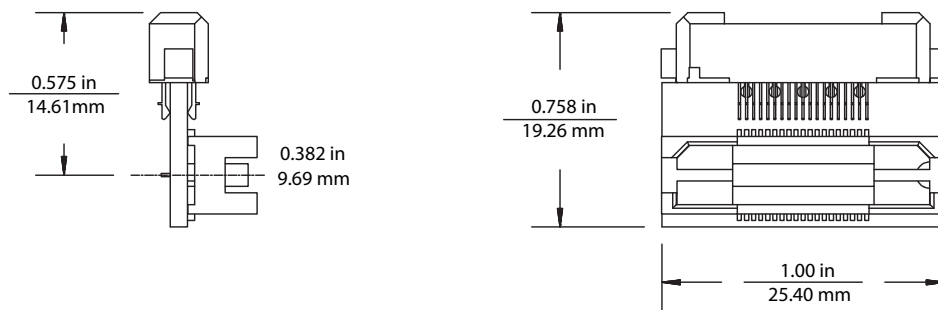
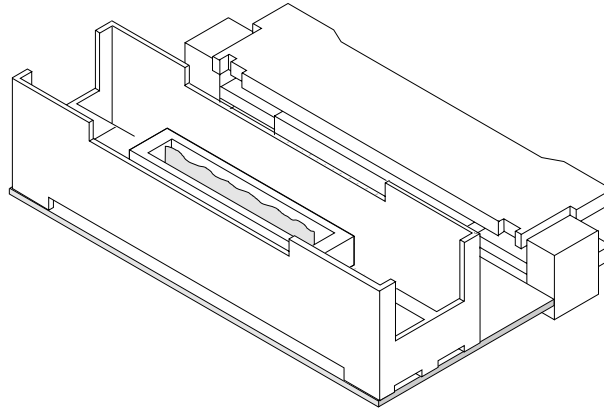


Figure 4.1. E5346-63201 right-angle 38-pin adapter.

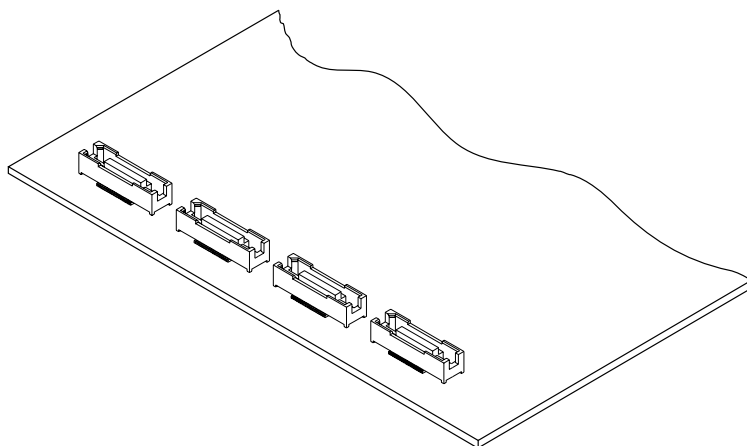


Figure 4.2. 38-pin connectors placed for use of right-angle adapter.

Note: The right-angle adapter adds significant capacitance and inductance in series with the probe. It is not recommended for state speeds above 100 MHz or for signals with rise times < 4 to 5 ns.

Probing Solutions for 40-pin Logic Analyzers

Custom Probing

Low density, moderate performance solutions shown in the “High-Density, High-Performance” (page 23) section of this document can be used in place of the solutions described here. Keysight recommends standard 0.1 inch center connectors for normal density applications if the loading/speed is not a significant issue. Many of these items are available from 3M or Keysight (see Table 2). See the “Related Information” section at the end of this document for 3M address information.

Direct connection through isolation adapter

Isolation adapters (Keysight part number 01650-63203) that connect to the end of the probe cable are designed to perform two functions. The first is to reduce the number of pins required for the header on the target board from 40 pins to 20 pins. This process reduces the board area dedicated to the probing connection. The second function is to provide the proper RC networks in a very convenient package. Figure 4.3 illustrates how the isolation adapter physically connects to the target system and the equivalent load of the isolation adapter connected to a Keysight logic analyzer. Figures 4.4 and 4.5 show the pinout diagrams for the probe cable and the isolation adapter, respectively. There are two 20-pin connectors, along with their Keysight and 3M part numbers, listed in Table 2.

Table 2. Twenty-pin connectors for fixed configuration probing. (Requires isolation adapter)

Keysight part number	3M part number	Connector description
1251-8106	2520-6002	20-pin, low-profile (straight)
1251-8473	2520-5002	20-pin, low-profile (right-angle)

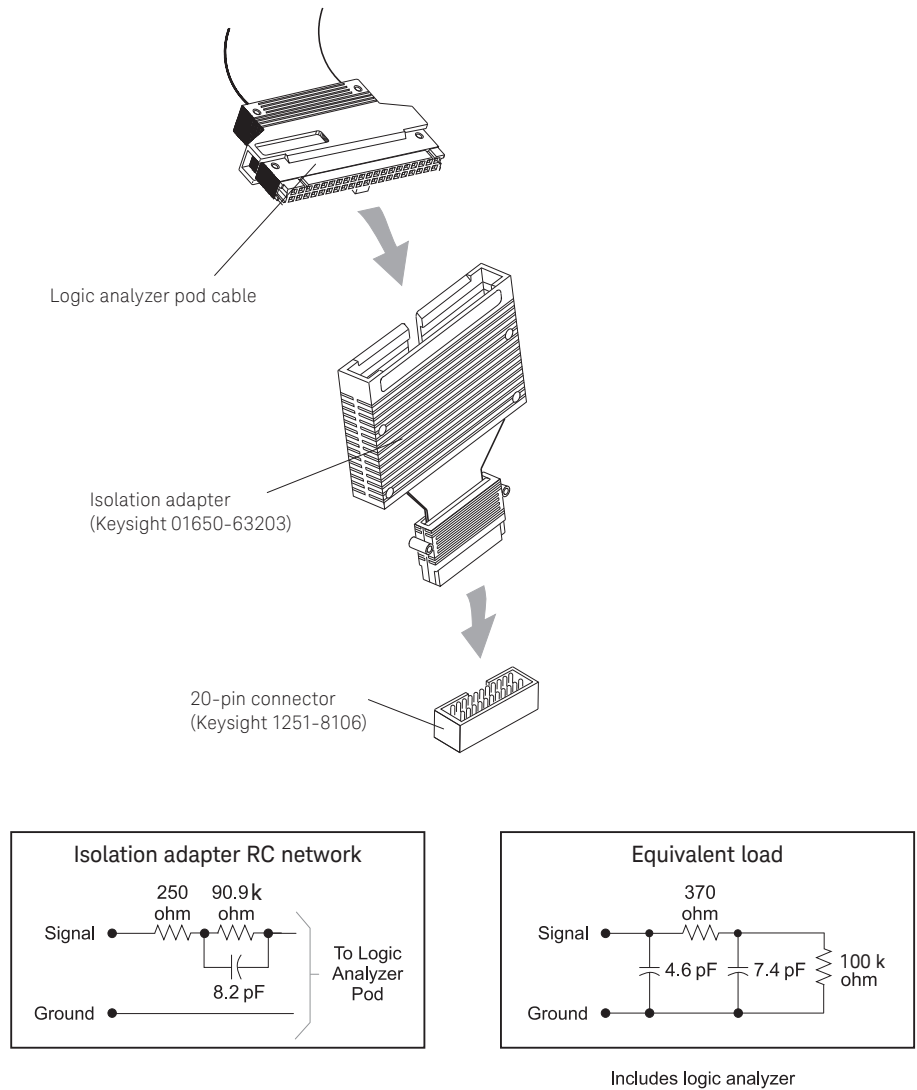


Figure 4.3. Isolation adapter (01650-63203) and equivalent load.

1. The Keysight 01650-63203 saves space by using a common ground (see Figure 4.5). This will impact signal fidelity, especially faster transition times (< 4 to 5 ns).

Probing Solutions for 40-pin Logic Analyzers Custom Probing (Continued)

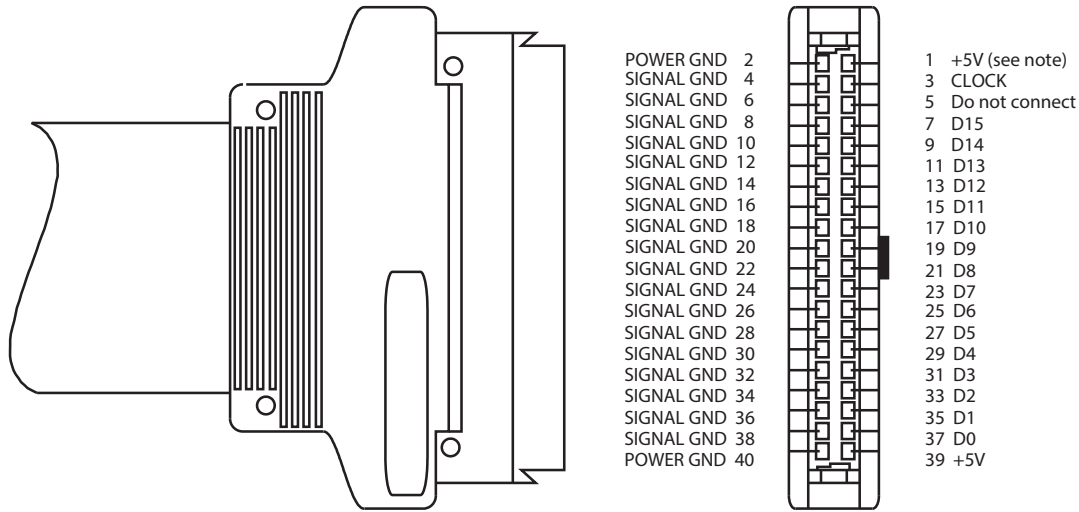


Figure 4.4. Pinout for probe cable.

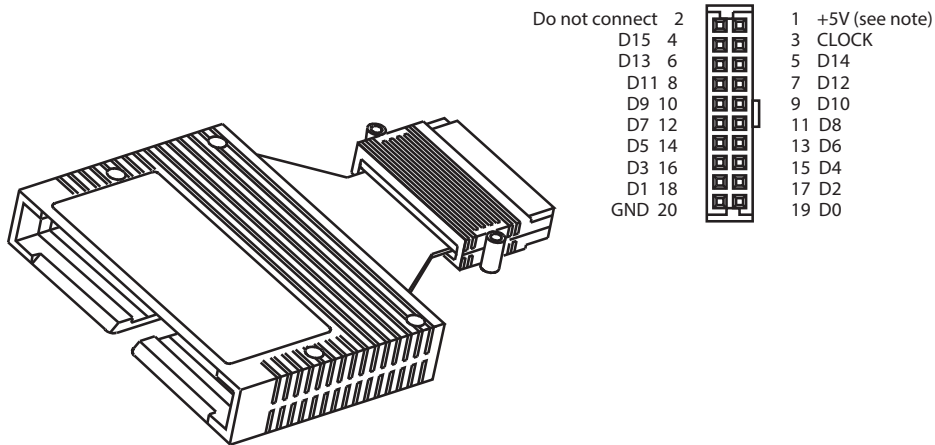


Figure 4.5. Pinout for 100 kΩ isolation adapter (Keysight part number 01650-63203).

- +5 V is supplied from the logic analyzer to provide power for analysis probes and demo boards.
DO NOT connect these pins to a +5 V supply in the target system!

Probing Solutions for 40-pin Logic Analyzers

Custom Probing (Continued)

Direct connection through 40-pin connectors

The probe cable also can be plugged directly into the various 40-pin connectors shown in Table 3, but proper isolation networks must be installed directly onto the target system board (see Figure 4.6 for the 40-pin connector pinout).

Keysight offers a 12-pin SMT (Keysight part number 5062-7396), which provides six isolation networks, as shown in Figure 4.7. Three of these SMTs are required for each probe cable.

Discrete components can also be used for the proper isolation network. See Figure 4.9 for an equivalent load diagram for the isolation networks.

Note that the effective input capacitive lead of an isolation network using discrete components is a function of the layout geometry and the parasitic capacitance of the input series damping resistor.

Table 3. Forty-pin connectors for fixed configuration probing. (Requires isolation network installed on target board)

Keysight part number	3M part number	Connector description
1251-8158	2540-5002	40-Pin, low-profile (right-angle)
1251-8831	3432-6302	40-Pin, with long latches (straight)
1251-8931	3432-5302	40-Pin, with long latches (right-angle)

Table 4. Available isolation networks

Keysight part number	Package type
5062-7396	SMT, 12-pin, provides 6 isolation networks (3 SMTs required for each probe cable)

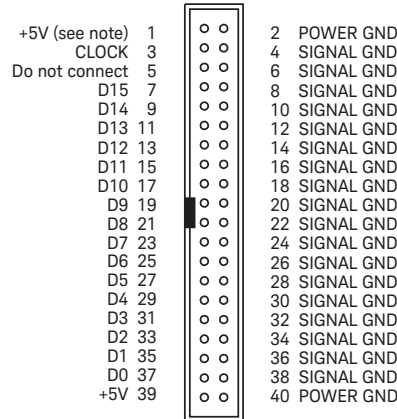
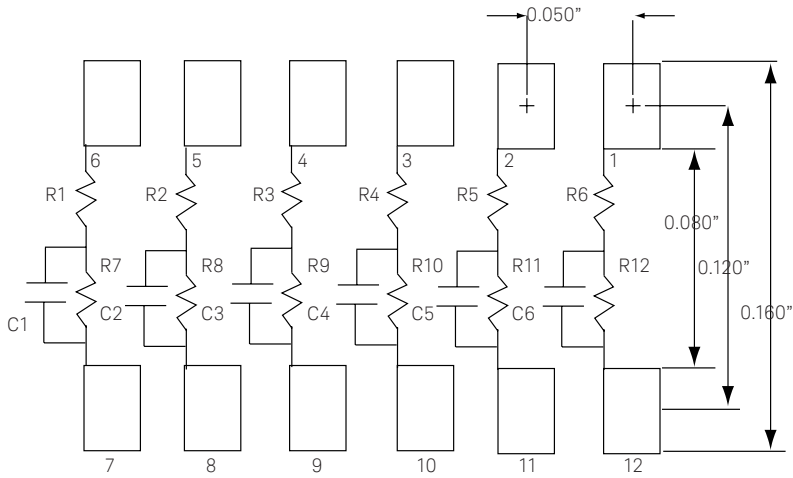


Figure 4.6. Forty-pin connector pinout.

- +5 V is supplied from the logic analyzer to provide power for analysis probes and demo boards. **DO NOT connect these pins to a +5 V supply in the target system!**

Probing Solutions for 40-pin Logic Analyzers Custom Probing (Continued)



Logic analyzer pod pad dimension = 0.030" x 0.040"

1. Resistances:
R1 through R6: 250 Ω
R7 through R12: 90.9 k Ω
2. Capacitance 8.2 pF

Figure 4.7. Recommended PC board pattern for 5062-7396 surface mount isolation network.

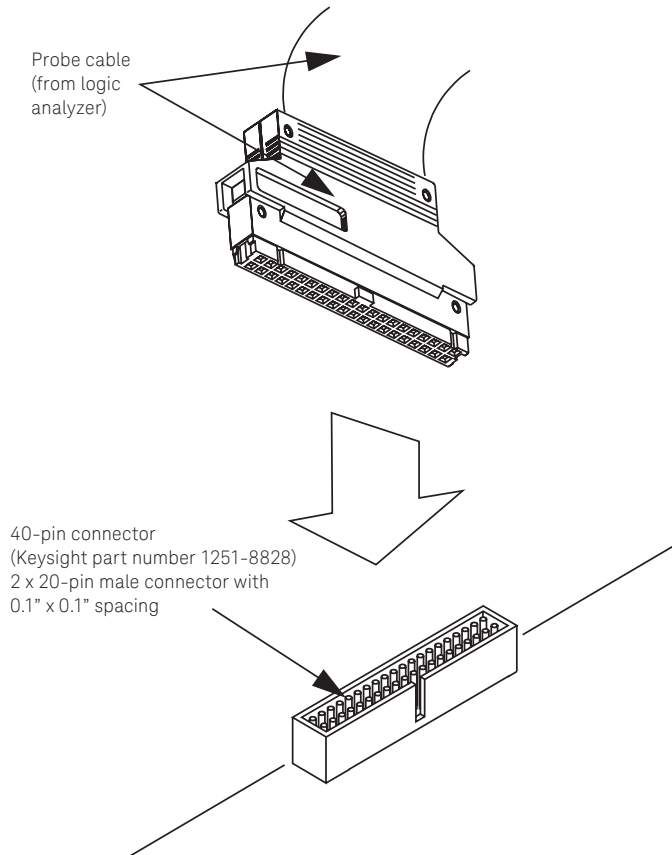


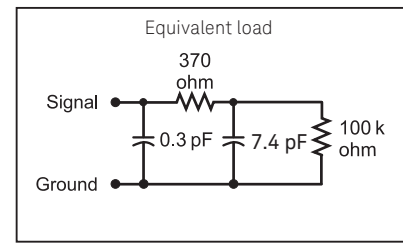
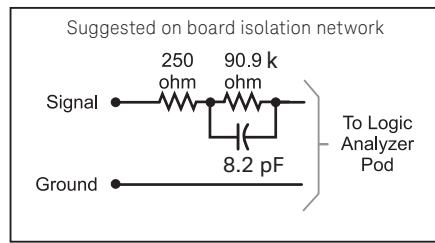
Figure 4.8. Connecting probe cable to 40-pin connector with isolation networks.

Probing Solutions for 40-pin Logic Analyzers

Custom Probing (Continued)

Notes on using discrete components

Discrete components can be used to design the isolation network. Keysight recommends the circuit shown in Figure 4.9. To achieve the equivalent load shown in the figure, trace lengths should be minimized by locating the RC network very near the measured node. Actual load will be the stub length load added to the equivalent load in the figure. Trace length from the suggested on-board RC network to the target connector must be 3 to 4 inches or less. This transmission line should be designed for an impedance in the range of 80 to 100 ohms (closer to 100 ohms is better).



Includes on board isolation network and logic analyzer

Figure 4.9. Equivalent load for on-target discrete components. Also applies to SMT (5062-7396) RC networks.

Probing Solutions for 90-pin Logic Analyzers

General-Purpose Probing

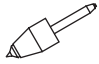
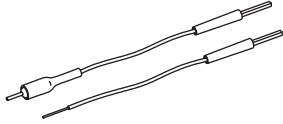
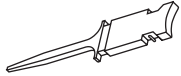

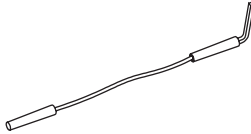
E5382A single-ended flying lead probe set

The E5382A is a 17-channel single-ended flying lead probe compatible with logic analyzers with a 90-pin pod connection. It is capable of acquiring data at the maximum rates of the logic analyzer it is connected to. The E5382A is useful for acquiring signals from dispersed locations or when a mass connection scheme is not available. The E5382A has the following:

- 16 single-ended data inputs
- One differential or single-ended clock input
- Variety of supplied accessories

Unused clock inputs can be used as data inputs.

Table 5. Accessories

	Part number	Description
	E5382-82102	Probe pin kit, 2 resistive pins per kit
	E5382-82101	High-frequency probing kit, 2 resistive signal wires and 4 ground wires per kit
	16517-82109	Grabber clip kit, 20 grabbers per kit
	16517-82105	Ground extender kit, 20 ground extenders per kit
	16517-82106	Right-angle ground lead kit, 20 ground leads per kit

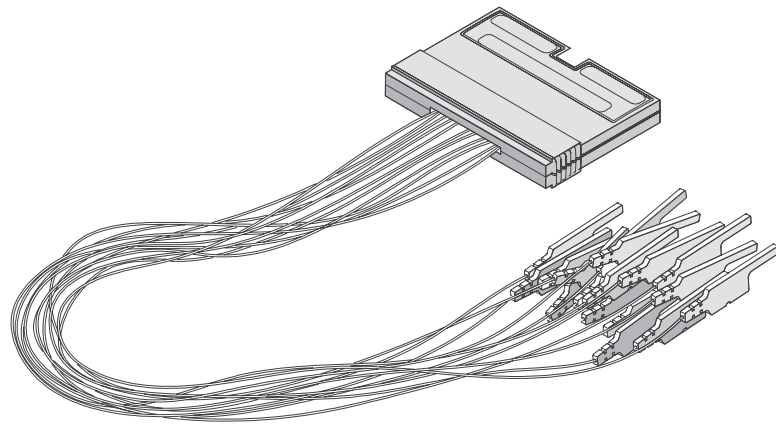



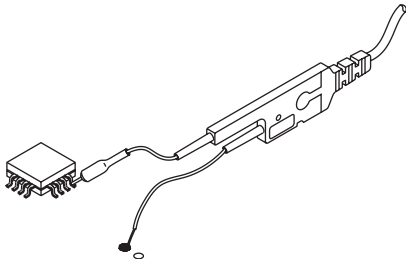
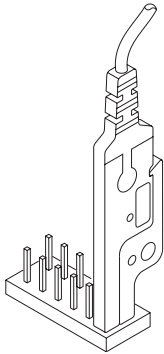
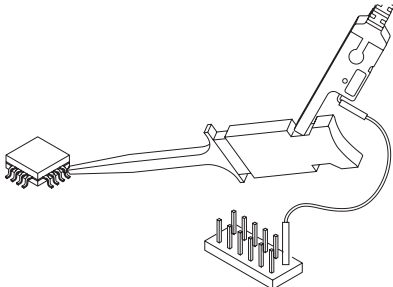
Figure 5.1. E5382A flying lead set.

Probing Solutions for 90-pin Logic Analyzers

General-Purpose Probing (Continued)

Suggested configurations and characteristics

Table 6. E5382A suggested configurations and characteristics

Configuration	Description	Total lumped input C	Maximum recommended state speed
	130 Ω resistive signal pin (orange) and solder-down ground lead	1.3 pF	1.5 Gb/s
	5 cm resistive signal lead (can be soldered-down) and solder-down ground lead	1.6 pF	1.5 Gb/s
	Flying lead and ground extender	1.4 pF	1.5 Gb/s
	Grabber clip and right-angle 2.0 pf ground lead	2.0 pF	600 Mb/s

Probing Solutions for 90-pin Logic Analyzers

General-Purpose Probing (Continued)

Available accessories

Ground connector

It is essential to ground every tip that is in use. For best performance at high speeds, every tip should be grounded individually to ground in the system under test.

Adapting to coaxial connectors

The Keysight E9638A probe tip to BNC adapter can be used to connect one of the flying lead probes of the E5382A to a BNC connector. To probe other coaxial connectors, use the E9638A adapter, a BNC termination, and an adapter to the other type of coaxial connector. Refer to Figure 5.3.

NOTE: Examples of convenient connection which may result in degraded performance

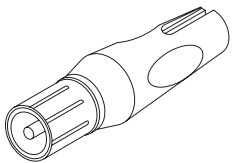
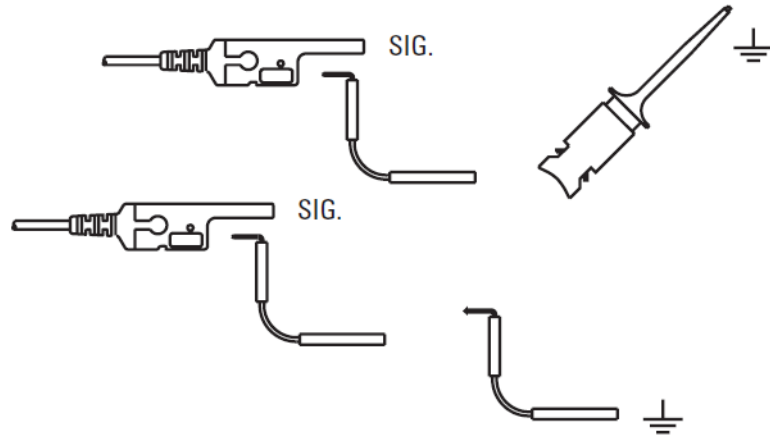


Figure 5.2. 5063-2174 BNC to probe tip adapter.

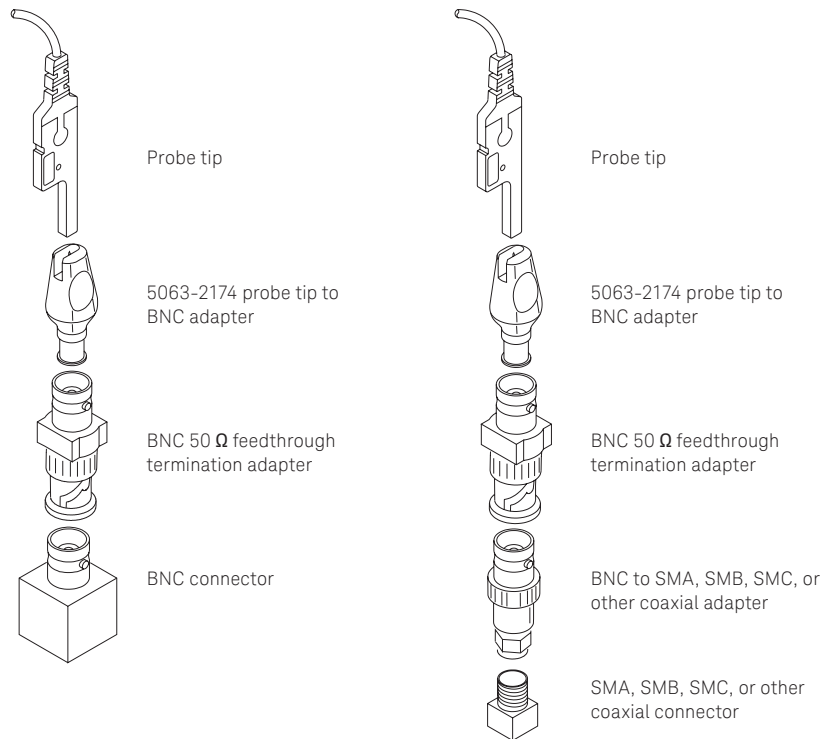


Figure 5.3. Recommended configurations to probe RF coaxial connectors with the E5382A flying lead probes.

Probing Solutions for 90-pin Logic Analyzers

General-Purpose Probing (Continued)

E5381A differential flying-lead probe set

The E5381A is a 17-channel differential flying-lead probe compatible with logic analyzers with a 90-pin pod connection. It is capable of acquiring data at the maximum rates of the logic analyzer it is connected to. The E5381A is useful for acquiring signals from dispersed locations or when a mass connection scheme is not available. The E5381A has the following:

- 16 differential or single-ended data inputs
- One differential or single-ended clock input
- Variety of supplied accessories

Unused clock inputs can be used as data inputs.

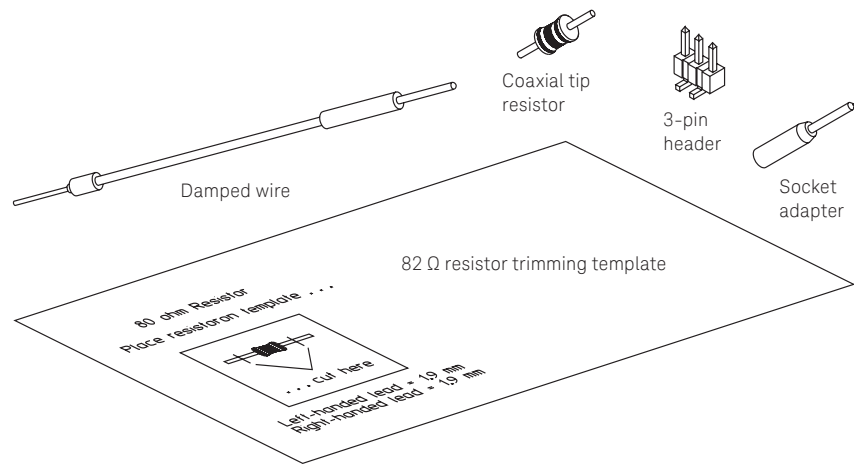


Figure 5.4. E5381A differential flying-lead probe set accessories.

Replaceable parts and additional accessories

Description	Quantity	Keysight part number
82 Ω resistor trimming template	1	01131-94309
Accessory kit - coaxial tip resistors (82 Ω)	34	E5381-82101
Accessory kit - socket adapter	34	E5381-82102
Accessory kit - damped wire (160 Ω)	34	E5381-82103
Accessory kit - 3-pin header	34	E5381-82104
Cable - main	1	E5381-61601

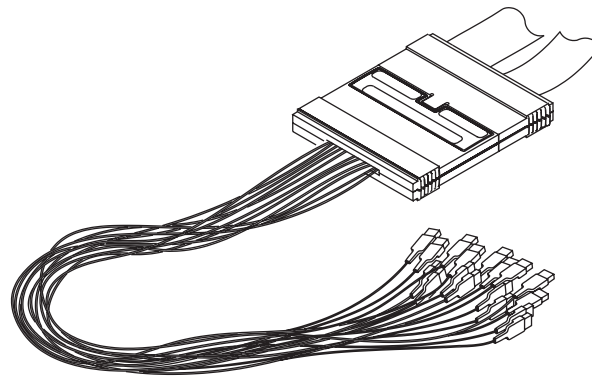


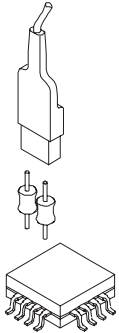
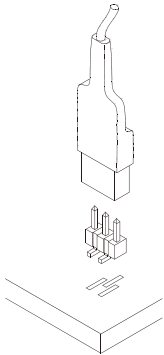
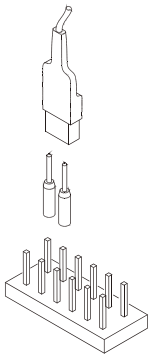
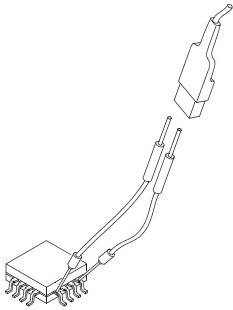
Figure 5.5. E5381A differential flying-lead probe set.

Probing Solutions for 90-pin Logic Analyzers

General-Purpose Probing (Continued)

Suggested configurations and characteristics

Table 7. E5381A suggested configurations and characteristics

Configuration	Description	Total lumped input C	Maximum recommended state speed
	Coaxial tip Resistor (82 Ω blue) Solder attach to components, traces, pads, or VIAs.	0.9 pF	1.5 Gb/s
	3-pin header	1.0 pF	1.5 Gb/s
	Socket adapter	1.1 pF	1.5 Gb/s
	Damped wire Solder attach to components, traces, pads, or VIAs.	1.3 pF	1.5 Gb/s

Probing Solutions for 90-pin Logic Analyzers

General-Purpose Probing (Continued)

Recommended probe configurations

For the best performance, use the following configurations. The configurations are listed in the recommended order.

Recommended probe configurations

For the best performance, use the following configurations. The configurations are listed in the recommended order.

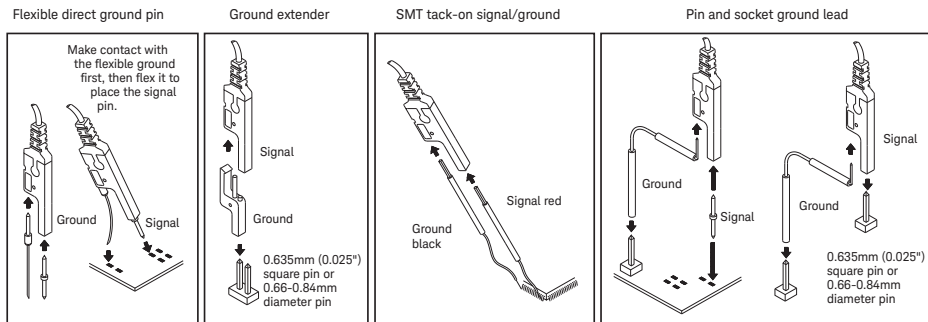


Figure 5.6. Probing configurations that give the best signal fidelity.

Probing Solutions for 90-pin Logic Analyzers

Soft Touch Connectorless Probing

Seven options are available for connecting Keysight logic analyzers with 90-pin pod connectors to a target system using mass connections.

Keysight Pro Series soft touch connectorless logic analyzer probes

Keysight has developed connectorless logic analyzer probes based on soft touch probing technology. Connectorless logic analyzer probing removes the connector that is traditionally attached to the target board and replaces it with an array of probe pads. This reduces the probe load on the target by eliminating the loading associated with the physical body of the connector. Additionally, this streamlines the design flow by eliminating the need to assign a logic analyzer connector to the bill of material of your board, procuring those connectors and then having them loaded onto your board.

Keysight's soft touch connectorless probes use micro spring-pin technology to provide reliable contact which is not dependent on the planarity of the PC board or the plating processes used to fabricate the board. No special cleaning processes are required when using Keysight's soft touch probes.

The new Keysight Pro Series soft touch connectorless probes offer a 30% smaller footprint than the original soft touch probes and are the basis for the industry standard connectorless probing footprint.

The probes use a retention module that ensures soft touch pin-to-PC board pad alignment and holds the probe in place while in use. The Pro Series soft touch uses a "top-side" mountable retention module. The retention module is mounted on the same side of the board as the probing footprint so there is no need to access the back-side of the board. Because there is no requirement for the retention module pins to extend beyond the back-side of the board, the retention module is compatible with virtually any board thickness.

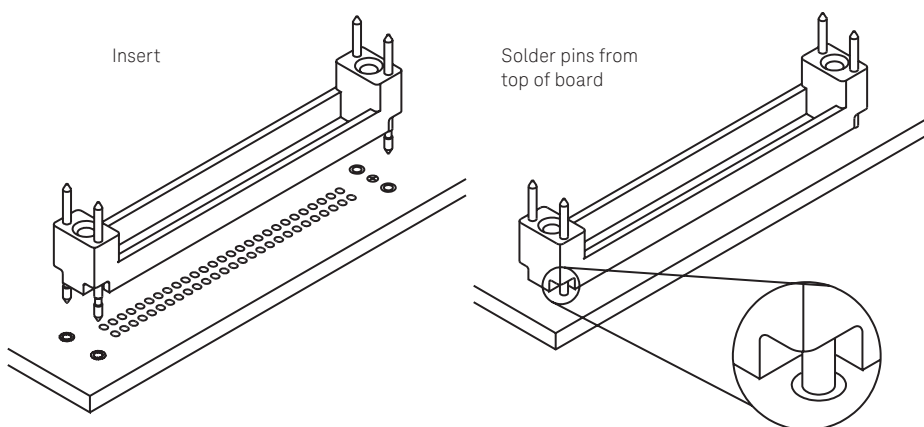


Figure 6.1. "Top-side" mountable retention module.

Probing Solutions for 90-pin Logic Analyzers

Soft Touch Connectorless Probing (Continued)

E5405A Differential Pro series soft touch connectorless probe

The E5405A is a 17-channel differential Pro Series soft touch connectorless probe compatible with all Keysight logic analyzers that have a 90-pin pod connector. It is capable of acquiring data at the maximum rates of the logic analyzer it is connected to.

Features

- No connector on the target board
- Top-side retention module
- Industry-standard connectorless footprint
- 17 channels, differential or single-ended clock and data
- Extremely low, < 0.7 pF, equivalent load capacitance
- Capable of data rates > 2.5 Gb/s (maximum rate dependent on analyzer used)
- 200 mV $V_{max}-V_{min}$ minimum signal amplitude
- Robust and reliable soft touch technology

Unused clock inputs can be used as data inputs.

The E5405A uses the same retention module as the E5404A and E5406A Pro Series soft touch connectorless probe.

A kit of five retention modules is shipped with each Pro Series soft touch probe. Additional kits can be ordered using Keysight part number E5403A.

E5406A/E5402A Pro Series soft touch connectorless probes

The E5406A/E5402A are 34-channel single-ended Pro Series soft touch connectorless probe compatible with all Keysight logic analyzers that have a 90-pin pod connector. The E5402A is a low profile right angle version of the E5406A probe.

Features

- No connector on the target board
- Top-side mount retention module
- Industry-standard connectorless footprint
- 34 channels, single-ended or differential clock and single-ended data
- Extremely low, < 0.7 pF, equivalent load capacitance
- Capable of data rates > 2.5 Gb/s (maximum rate dependent on analyzer used)
- 250 mV p-p minimum signal amplitude
- Robust and reliable soft touch technology

Unused clock inputs can be used as data inputs.

The E5406A (used with logic analyzers with a 90-pin cable connector) uses the same footprint, pinout, and retention module as the E5404A and E5402A Pro Series soft touch connectorless probes (used with logic analyzers with a 40-pin cable connector).

A kit of five retention modules is shipped with each Pro Series soft touch probe. Additional kits can be ordered using Keysight part number E5403A. The low profile E5402A probe uses retention module Keysight part number E5412A.

E5387A Differential soft touch connectorless probe

The E5387A is a 17-channel differential soft touch connectorless probe compatible with all Keysight logic analyzers that have a 90-pin pod connector. It is capable of acquiring data at the maximum rates of the logic analyzer it is connected to. The probe has the following inputs:

- 16 differential or single-ended data inputs
- One differential or single-ended clock input
- < 0.7 pF input capacitance
- 200 mV $V_{max}-V_{min}$ minimum signal amplitude

Unused clock inputs can be used as data inputs.

The E5387A uses the same retention module as the E5390A and E5394A soft touch probes.

A kit of five retention modules is shipped with each soft touch probe. Additional kits can be ordered using Keysight part number E5387-68701.

Probing Solutions for 90-pin Logic Analyzers

Soft Touch Connectorless Probing (Continued)

E5390A single-ended soft touch connectorless probe

The E5390A is a 34-channel single-ended soft touch connectorless probe compatible with all Keysight logic analyzers that have a 90-pin pod connector. It is capable of acquiring data at the maximum rates of the logic analyzer it is connected to. The probe has the following inputs:

- 32 single-ended data inputs
- Two differential or single-ended clock inputs
- < 0.7 pf input capacitance
- 250 mV p-p minimum signal amplitude

Unused clock inputs can be used as data inputs.

The E5390A (used with logic analyzers with a 90-pin pod connector) uses the same footprint, pinout and retention module as the E5394A single-ended soft touch connectorless probe (used with logic analyzers with a 40-pin pod connector).

A kit of five retention modules is shipped with each soft touch probe. Additional kits can be ordered using Keysight part number E5387-68701.

E5398A half-size soft touch connectorless probe

The E5398A is a small space saving probe compatible with all Keysight logic analyzers that have a 90-pin cable connector. It is a 17-channel, single-ended probe capable of capturing data at the maximum rates of the logic analyzer it is connected to. The probe has the following inputs:

- 16 single-ended data inputs
- One differential or single-ended clock input
- < 0.7 pf equivalent load capacitance
- 250 mV p-p minimum signal amplitude

Unused clock inputs can be used as data inputs.

The E5398A (used with logic analyzers with a 90-pin cable connector) uses the same footprint, pinout, and retention module as the E5396A single-ended soft touch connectorless probe (used with logic analyzers with a 40-pin cable connector).

More information about soft touch connectorless probes is available on the web at www.keysight.com/find/softtouch.

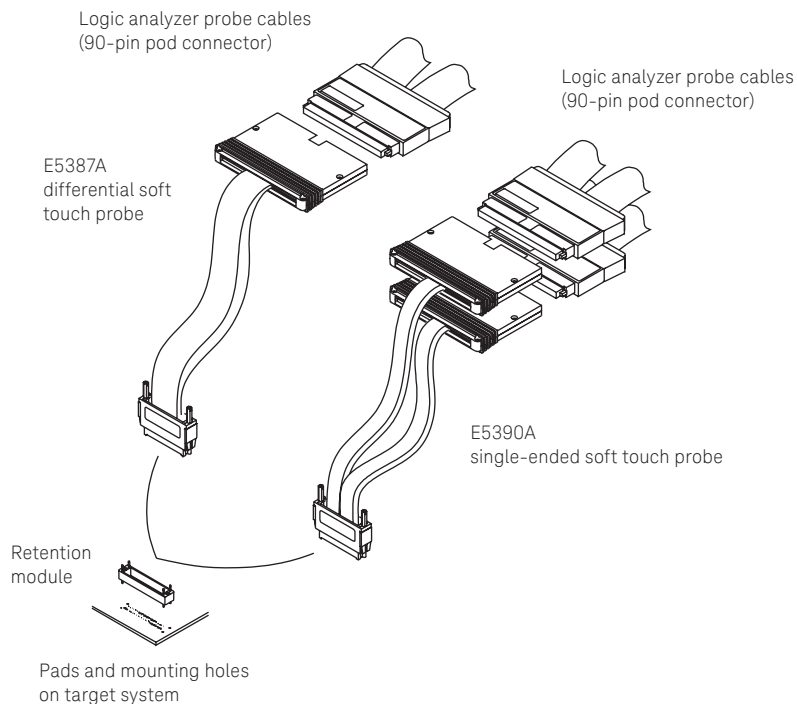


Figure 6.2. Soft touch probes.

Probing Solutions for 90-pin Logic Analyzers

Soft Touch Connectorless Probing (Continued)

Probe dimensions

The following figures show dimensions, footprint, and pinout information you will need to design your target system board for use with the Keysight soft touch probes.

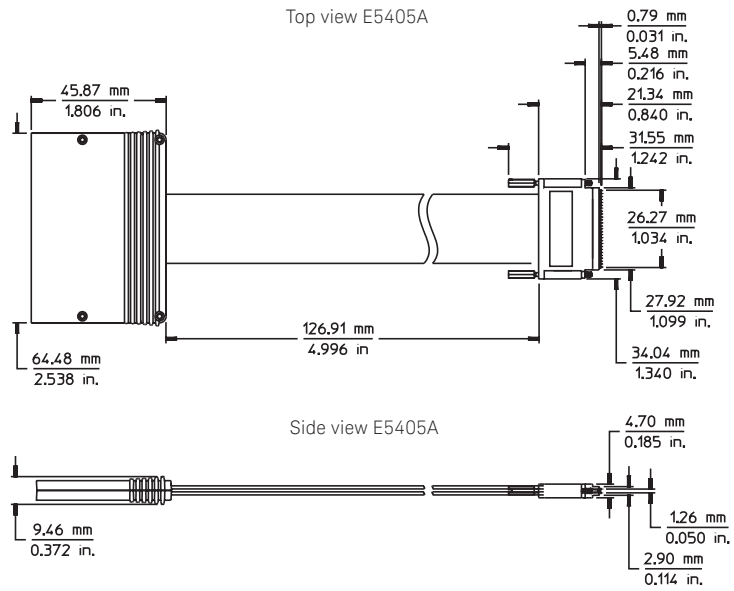


Figure 6.3. E5405A probe dimensions.

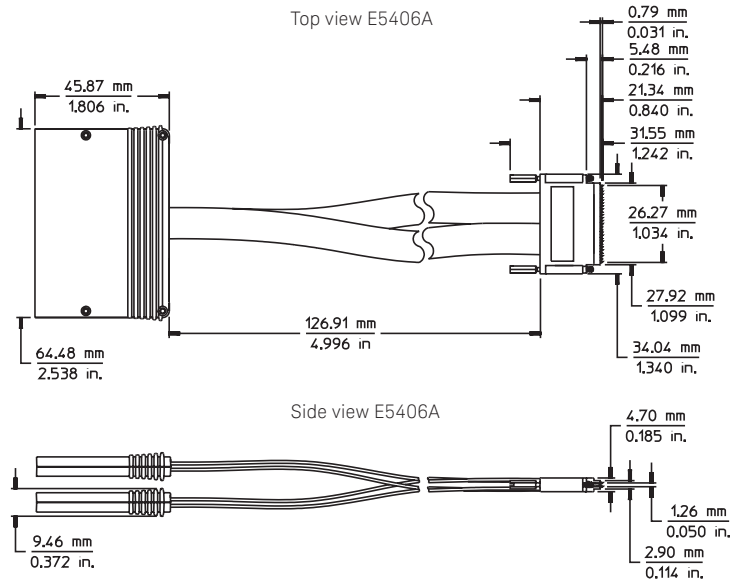


Figure 6.4. E5406A probe dimensions.

Probing Solutions for 90-pin Logic Analyzers

Soft Touch Connectorless Probing (Continued)

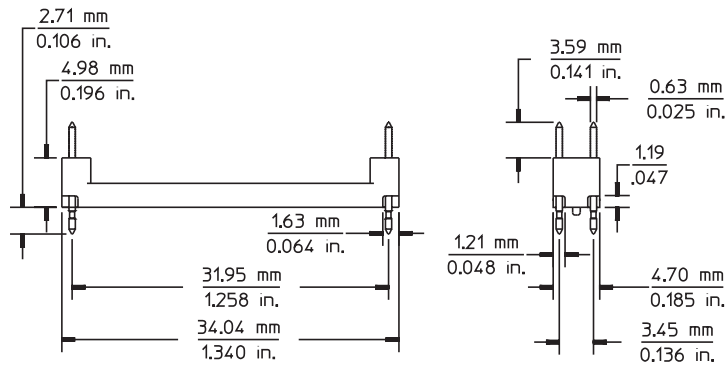


Figure 6.5. Pro Series soft touch retention module dimensions, part number E5403A.

Pro Series soft touch retention module dimensions

The following dimensions show the soft touch probe attached to the retention module. The retention module is mounted on the PC board.

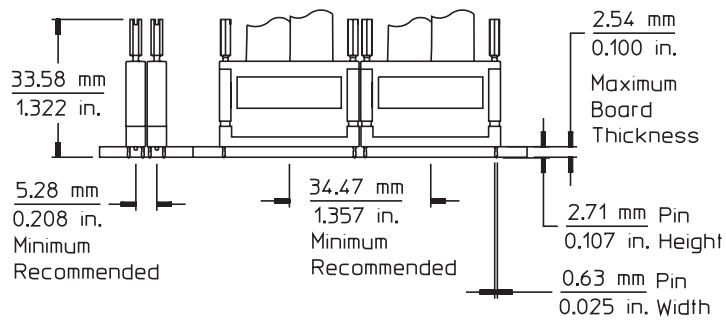


Figure 6.6. Pro Series soft touch side-by-side dimensions with retention module, part number E5403A.

Probing Solutions for 90-pin Logic Analyzers Soft Touch Connectorless Probing (Continued)

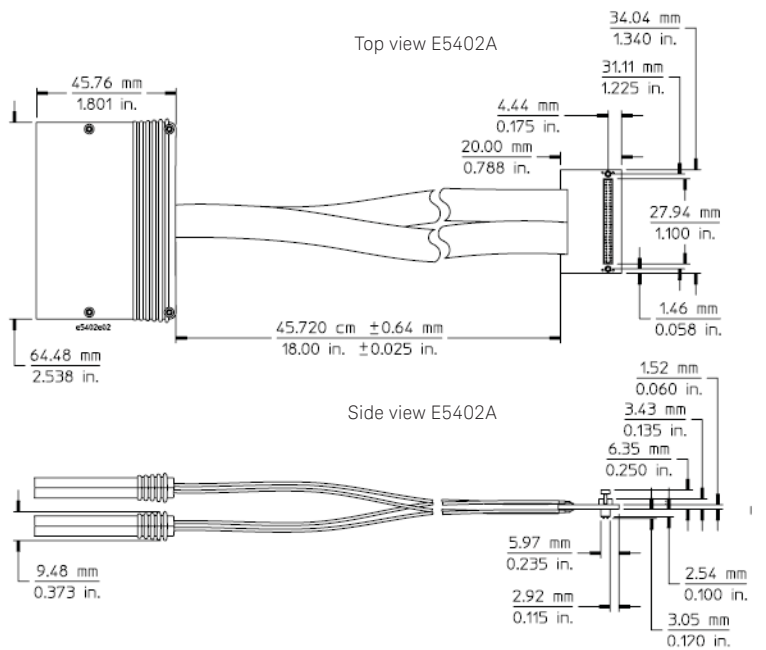


Figure 6.7. E5402A probe dimensions.

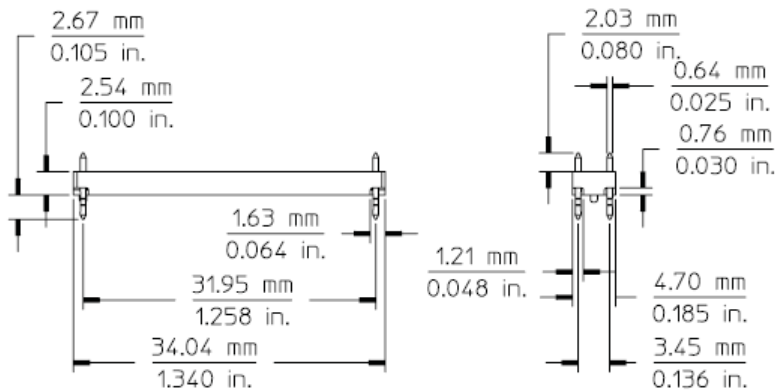


Figure 6.8. E5412A retention module dimensions.

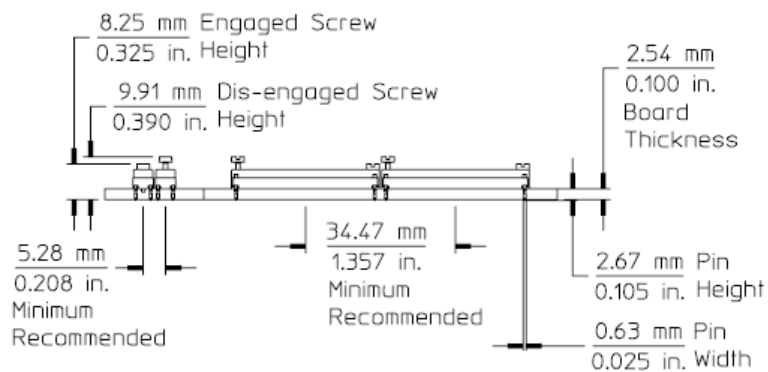


Figure 6.9. E5412A side-by-side dimensions.

Probing Solutions for 90-pin Logic Analyzers Soft Touch Connectorless Probing (Continued)

Drawing notes:

- 1 Maintain a solder mask web between pads when traces are routed between the pads on the same layer. The solder mask may not encroach onto the pads within the pad dimension shown.
- 2 VIAs not allowed on these pads. VIA edges may be tangent to pad edges as long as a solder mask web between VIAs and pads is maintained.



- 3 Surface finishes on pads should be HASL immersion silver, or gold over nickel.
- 4 This footprint is compatible with retention module Keysight part number E5405-68702.
- 5 This through hole is not used with the Keysight retention module.
- 6 Plated through hole should not be tied to ground plane for thermal relief.

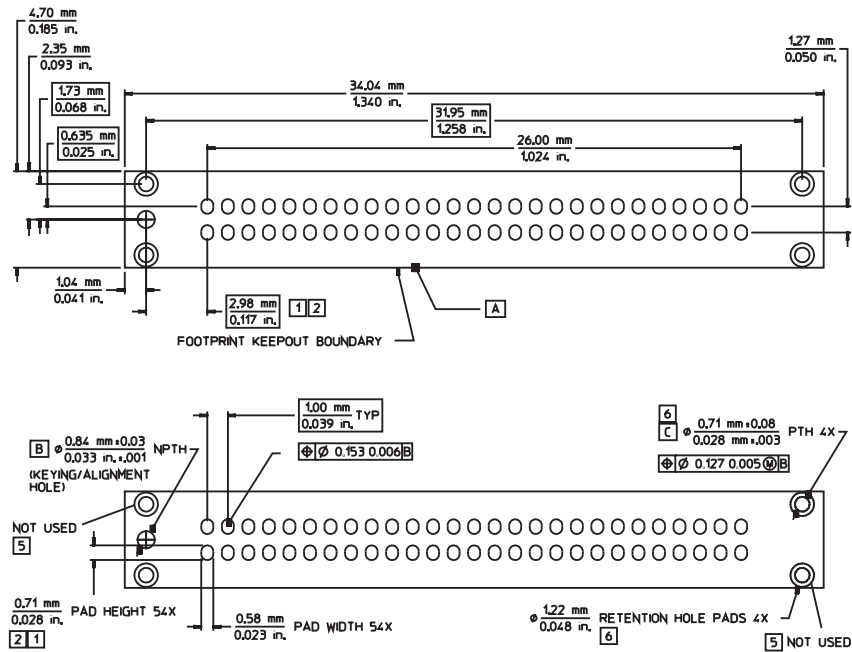


Figure 6.10. Pro Series soft touch footprint dimensions (see drawing notes).

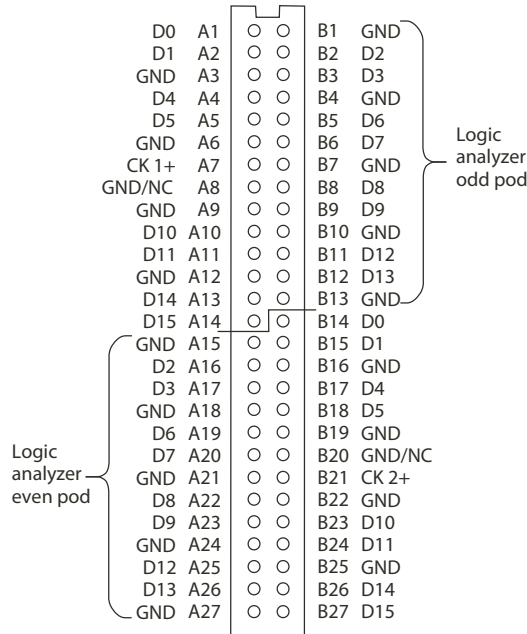


Figure 6.11. Pad numbers for E5404/06A 34-channel single-ended probes.

Probing Solutions for 90-pin Logic Analyzers

Soft Touch Connectorless Probing (Continued)

E5404/06A 34-channel single-ended probe		Logic analyzer		
Signal name	Pad #	Channel	Pod	
D0	A1	→ 0	Whichever pod is connected to "Odd" on the E5404/06A probe	
D1	A2	→ 1		
Ground	A3			
D4	A4	→ 4		
D5	A5	→ 5		
Ground	A6			
Clock 1+	A7	→ Clock		
GND/NC/Clock 1-	A8			
Ground	A9			
D10	A10	→ 10		
D11	A11	→ 11		
Ground	A12			
D14	A13	→ 14		
D15	A14	→ 15		
Ground	A15			Whichever pod is connected to "Even" on the E5404/06A probe
D2	A16	→ 2		
D3	A17	→ 3		
Ground	A18			
D6	A19	→ 6		
D7	A20	→ 7		
Ground	A21			
D8	A22	→ 8		
D9	A23	→ 9		
Ground	A24			
D12	A25	→ 12		
D13	A26	→ 13		
Ground	A27			

E5404/06A 34-channel single-ended probe		Logic analyzer			
Signal name	Pad #	Channel	Pod		
Ground	B1		Whichever pod is connected to "Odd" on the E5404/06A probe		
D2	B2	→ 2			
D3	B3	→ 3			
Ground	B4				
D6	B5	→ 6			
D7	B6	→ 7			
Ground	B7				
D8	B8	→ 8			
D9	B9	→ 9			
Ground	B10				
D12	B11	→ 12			
D13	B12	→ 13			
Ground	B13				
D0	B14	→ 0		Whichever pod is connected to "Even" on the E5404/06A probe	
D1	B15	→ 1			
Ground	B16				
D4	B17	→ 4			
D5	B18	→ 5			
Ground	B19				
GND/NC/Clock 2-	B20				
Clock 2+	B21	→ Clock			
Ground	B22				
D10	B23	→ 10			
D11	B24	→ 11			
Ground	B25				
D14	B26	→ 14			
D15	B27	→ 15			

Probing Solutions for 90-pin Logic Analyzers

Soft Touch Connectorless Probing (Continued)

D0+	A1	○ ○	B1	GND
D0-	A2	○ ○	B2	D1-
GND	A3	○ ○	B3	D1+
D2+	A4	○ ○	B4	GND
D2-	A5	○ ○	B5	D3-
GND	A6	○ ○	B6	D3+
D4+	A7	○ ○	B7	GND
D4-	A8	○ ○	B8	D5-
GND	A9	○ ○	B9	D5+
D6+	A10	○ ○	B10	GND
D6-	A11	○ ○	B11	D7-
GND	A12	○ ○	B12	D7+
NC	A13	○ ○	B13	GND
NC	A14	○ ○	B14	CLK-
GND	A15	○ ○	B15	CLK+
D8+	A16	○ ○	B16	GND
D8-	A17	○ ○	B17	D9-
GND	A18	○ ○	B18	G9+
D10+	A19	○ ○	B19	GND
D10-	A20	○ ○	B20	D11-
GND	A21	○ ○	B21	D11+
D12+	A22	○ ○	B22	GND
D12-	A23	○ ○	B23	D13-
GND	A24	○ ○	B24	E13+
D14+	A25	○ ○	B25	GND
D14-	A26	○ ○	B26	D15-
GND	A27	○ ○	B27	D15+

Figure 6.12. Pad numbers for E5405A 17-bit differential probe.

Probing Solutions for 90-pin Logic Analyzers

Soft Touch Connectorless Probing (Continued)

E5405A differential probe		Logic analyzer		
Signal name	Pad #	Channel	Pod	
D0 (+)	A1	→ 0		Whichever pod is plugged into the E5405A probe
D0 (-)	A2			
Ground	A3			
D2 (+)	A4	→ 2		
D2 (-)	A5			
Ground	A6			
D4 (+)	A7	→ 4		
D4 (-)	A8			
Ground	A9			
D6 (+)	A10	→ 6		
D6 (-)	A11			
Ground	A12			
NC	A13			
NC	A14			
Ground	A15			
D8 (+)	A16	→ 8		
D8 (-)	A17			
Ground	A18			
D10 (+)	A19	→ 10		
D10 (-)	A20			
Ground	A21			
D12 (+)	A22	→ 12		
D12 (-)	A23			
Ground	A24			
D14 (+)	A25	→ 14		
D14 (-)	A26			
Ground	A27			

E5405A differential probe		Logic analyzer		
Signal name	Pad #	Channel	Pod	
Ground	B1			Whichever pod is plugged into the E5405A probe
D1 (-)	B2			
D1 (+)	B3	→ 1		
Ground	B4			
D3 (-)	B5			
D3 (+)	B6	→ 3		
Ground	B7			
D5 (-)	B8			
D5 (+)	B9	→ 5		
Ground	B10			
D7 (-)	B11			
D7 (+)	B12	→ 7		
Ground	B13			
Clock-	B14			
Clock+	B15	→ Clock		
Ground	B16			
D9 (-)	B17			
D9 (+)	B18	→ 9		
Ground	B19			
D11 (-)	B20			
D11 (+)	B21	→ 11		
Ground	B22			
D13 (-)	B23			
D13 (+)	B24	→ 13		
Ground	B25			
D15 (-)	B26			
D15 (+)	B27	→ 15		

Probing Solutions for 90-pin Logic Analyzers

Soft Touch Connectorless Probing (Continued)

Probe dimensions

The following figures show dimensions, footprint, and pinout information you will need to design your target system board for use with the Keysight soft touch probes.

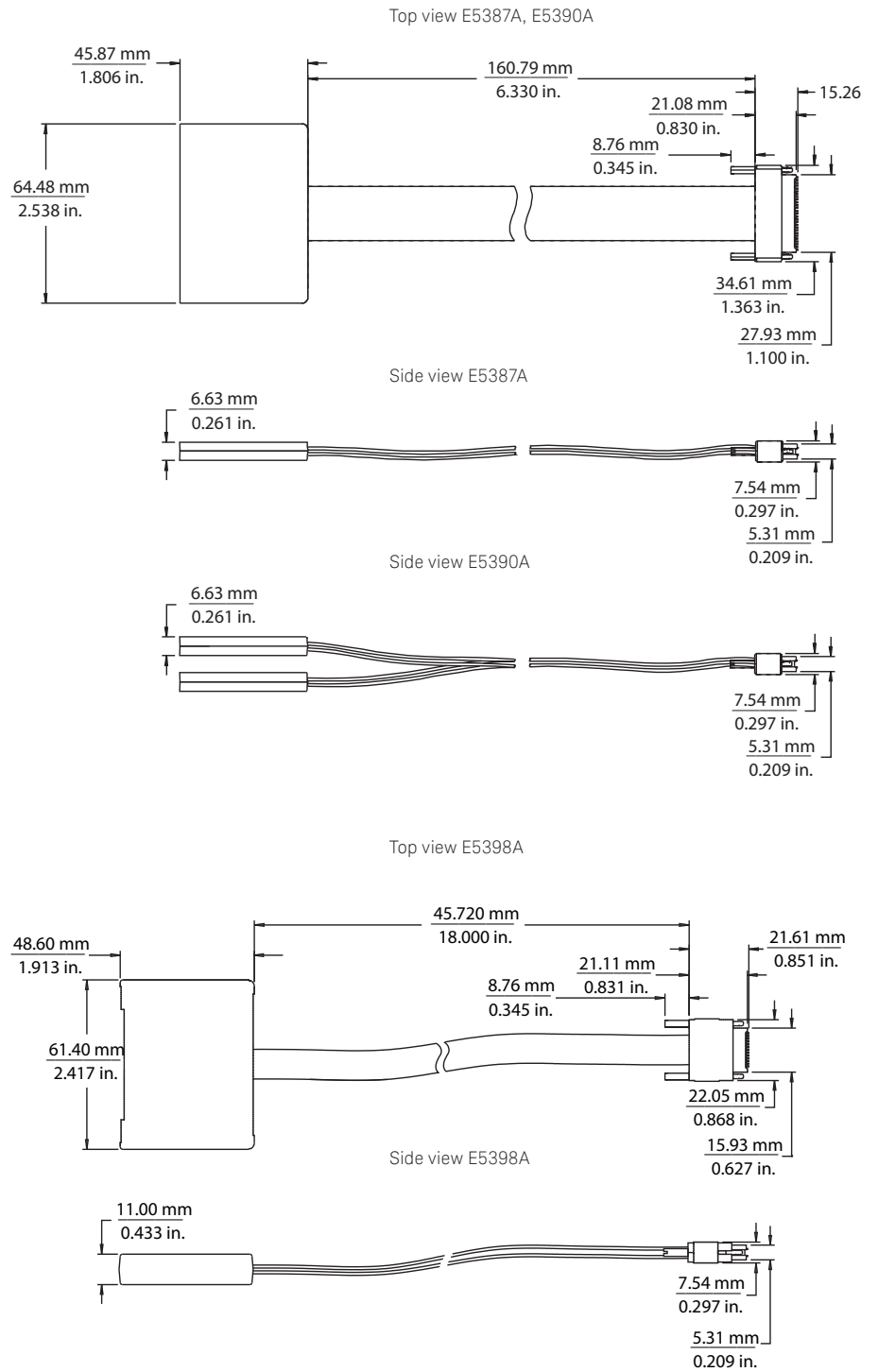


Figure 6.13. Probe dimensions.

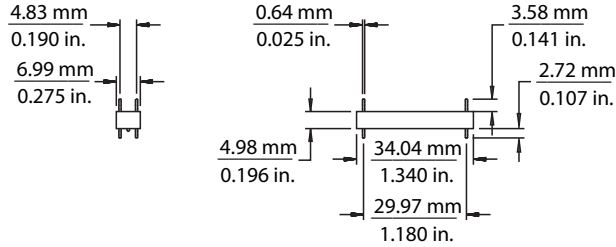
Probing Solutions for 90-pin Logic Analyzers

Soft Touch Connectorless Probing (Continued)

Retention module dimensions

The soft touch probes are attached to the PC board using a retention module which ensures pin-to-pad alignment and holds the probe in place. A board thickness of up to 2.54 mm (0.100 inch) is recommended. Insert the retention module into the board, noting the keying pin, and solder the four alignment pins to the backside of the board.

34-channel retention module dimensions



17-channel retention module dimensions

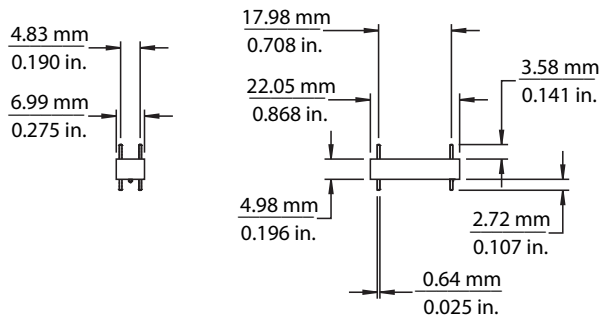
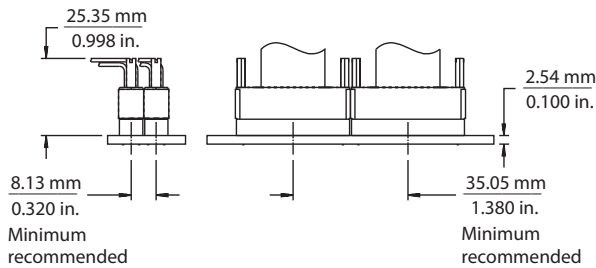


Figure 6.14. Retention module dimensions.

Probe and retention module dimensions

The following dimensions show the soft touch probe attached to the retention module. The retention module is mounted on the PC board.

34-channel probe and retention module dimensions



17-channel probe and retention module dimensions

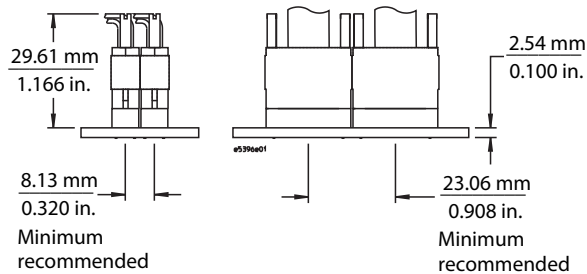


Figure 6.15. Probe and retention module dimensions.

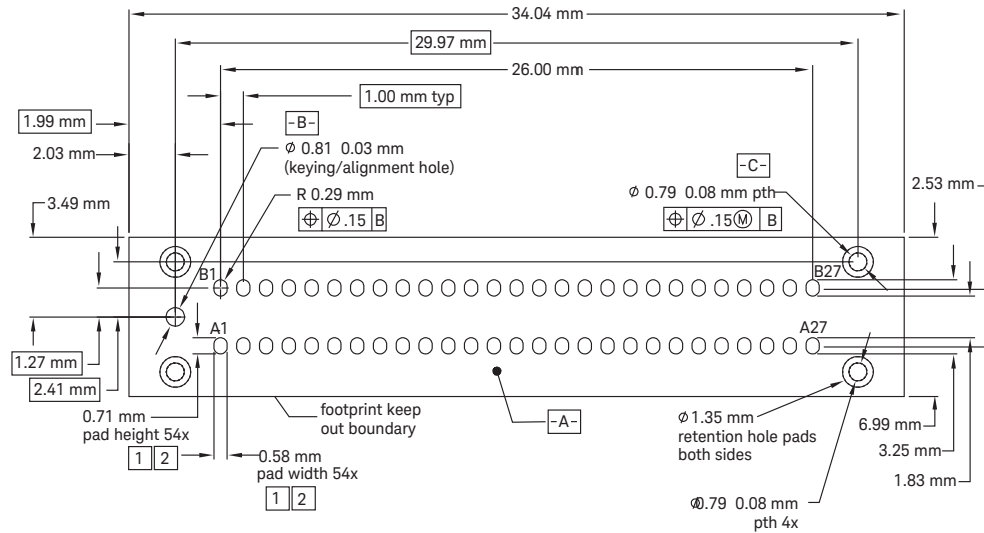
Probing Solutions for 90-pin Logic Analyzers

Soft Touch Connectorless Probing (Continued)

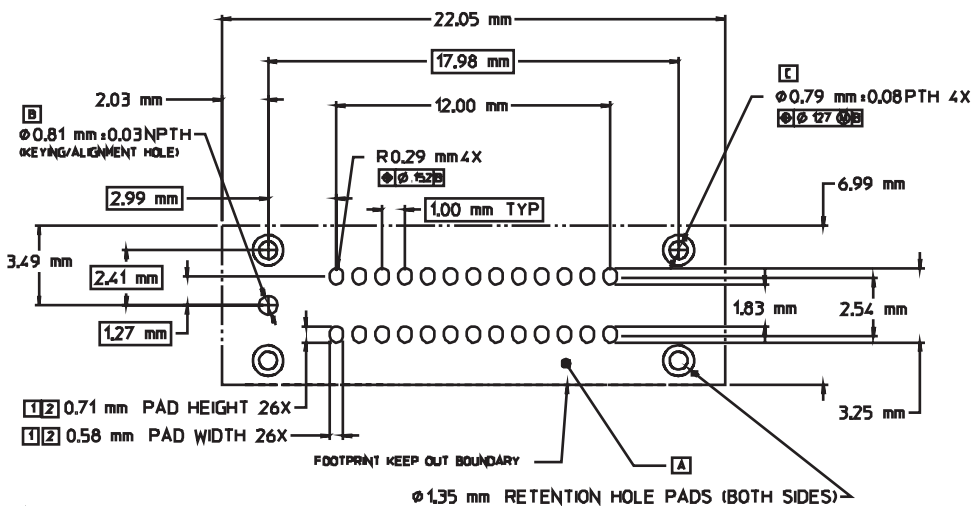
Probe footprint dimensions

Use these probe footprint dimensions for the PC board pads and holes for attaching the retention module.

Soft touch



Half-size soft touch



Notes:

1. Must maintain a solder mask web between pads when traces are routed between the pads on the same layer. Soldermask may not encroach onto the pads within the pad dimension shown.
2. Via in pad not allowed on these pads. Via edges may be tangent to pad edges as long as a solder mask web between vias and pads is maintained.
3. Permissible surface finishes on pads are HASL, immersion silver, or gold over nickel.
4. Footprint is compatible with retention module, Keysight part # E5387-68702.
5. Retention module dimensions are 34.04 mm x 7.01 mm x 4.98 mm tall relative to the top surface of the PDB. Retention pins extend 4.32 mm beyond the bottom surface of the RM through the PCB.
6. Assume normal artwork tolerances for pad size dimensions.

Figure 6.16. Footprint dimensions.

Probing Solutions for 90-pin Logic Analyzers

Soft Touch Connectorless Probing (Continued)

Pinout for the E5387A differential soft touch probe

The following graphic and table show the E5387A differential soft touch probe pad numbers and logic analyzer pod inputs.

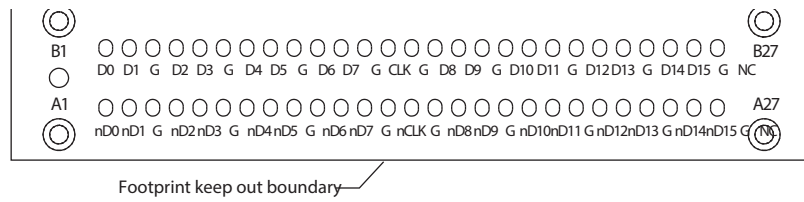


Figure 6.17. Pinout.

E5387A differential probe				Logic analyzer	
Negative signals		Positive signals			
Signal name	Pad #	Signal name	Pad #	Channel	Pod
D0 (-)	A1	D0 (+)	B1	→ 0	Whichever pod is plugged into the E5387A probe
D1 (-)	A2	D1 (+)	B2	→ 1	
Ground	A3	Ground	B3		
D2 (-)	A4	D2 (+)	B4	→ 2	
D3 (-)	A5	D3 (+)	B5	→ 3	
Ground	A6	Ground	B6		
D4 (-)	A7	D4 (+)	B7	→ 4	
D5 (-)	A8	D5 (+)	B8	→ 5	
Ground	A9	Ground	B9		
D6 (-)	A10	D6 (+)	B10	→ 6	
D7 (-)	A11	D7 (+)	B11	→ 7	
Ground	A12	Ground	B12		
Clock (-)	A13	Clock (+)	B13	→ Clock	
Ground	A14	Ground	B14		
D8 (-)	A15	D8 (+)	B15	→ 8	
D9 (-)	A16	D9 (+)	B16	→ 9	
Ground	A17	Ground	B17		
D10 (-)	A18	D10 (+)	B18	→ 10	
D11 (-)	A19	D11 (+)	B19	→ 11	
Ground	A20	Ground	B20		
D12 (-)	A21	D12 (+)	B21	→ 12	
D13 (-)	A22	D13 (+)	B22	→ 13	
Ground	A23	Ground	B23		
D14 (-)	A24	D14 (+)	B24	→ 14	
D15 (-)	A25	D15 (+)	B25	→ 15	
Ground	A26	Ground	B26		
N/C	A27	N/C	B27		

Probing Solutions for 90-pin Logic Analyzers

Soft Touch Connectorless Probing (Continued)

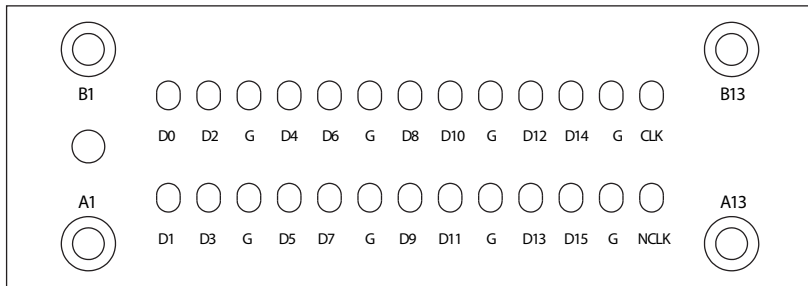


Figure 6.18. Pinout.

E5398A 17-channel single-ended probe		Logic analyzer		
Signal name	Pad #	Channel	Pod	
D1	A1	→ 1	Whichever pod is plugged into the E5398A probe	
D3	A2	→ 3		
Ground	A3			
D5	A4	→ 5		
D7	A5	→ 7		
Ground	A6			
D9	A7	→ 9		
D11	A8	→ 11		
Ground	A9			
D13	A10	→ 13		
D15	A11	→ 15		
Ground	A12			
Clock (-)	A13	→ n/a		

E5398A 17-channel single-ended probe		Logic analyzer		
Signal name	Pad #	Channel	Pod	
D0	B1	→ 0	Whichever pod is plugged into the E5398A probe	
D2	B2	→ 2		
Ground	B3			
D4	B4	→ 4		
D6	B5	→ 6		
Ground	B6			
D8	B7	→ 8		
D10	B8	→ 10		
Ground	B9			
D12	B10	→ 12		
D14	B11	→ 14		
Ground	B12			
Clock (+)	B13	→ n/a		

Probing Solutions for 90-pin Logic Analyzers

Soft Touch Connectorless Probing (Continued)

Pinout for the E5390A single-ended soft touch probe

The following graphic and table show the E5390A single-ended soft touch probe pad numbers and logic analyzer pod inputs.

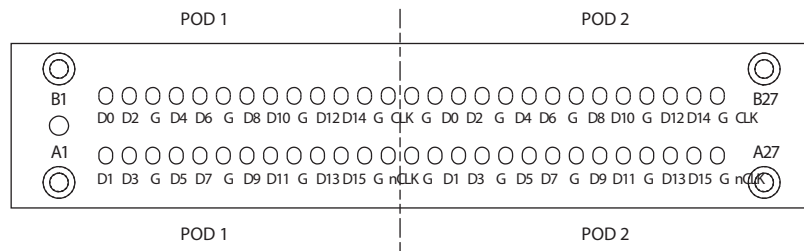


Figure 6.19. Pinout.

E5390A single-ended probe		Logic analyzer		Pod
Signal name	Pad #	Channel	Pod	
D1	A1	→ 1	Whichever pod is connected to "Odd" on the E5390A probe	
D3	A2	→ 3		
Ground	A3			
D5	A4	→ 5		
D7	A5	→ 7		
Ground	A6			
D9	A7	→ 9		
D11	A8	→ 11		
Ground	A9			
D13	A10	→ 13		
D15	A11	→ 15		
Ground	A12			
Clock (-)	A13	→ Clock		
D0	B1	→ 0	Whichever pod is connected to "Even" on the E5390A probe	
D2	B2	→ 2		
Ground	B3			
D4	B4	→ 4		
D6	B5	→ 6		
Ground	B6			
D8	B7	→ 8		
D10	B8	→ 10		
Ground	B9			
D12	B10	→ 12		
D14	B11	→ 14		
Ground	B12			
Clock (+)	B13	→ Clock		

E5390A single-ended probe		Logic analyzer		Pod
Signal name	Pad #	Channel	Pod	
Ground	A14		Whichever pod is connected to "Even" on the E5390A probe	
D1	A15	→ 1		
D3	A16	→ 3		
Ground	A17			
D5	A18	→ 5		
D7	A19	→ 7		
Ground	A20			
D9	A21	→ 9		
D11	A22	→ 11		
Ground	A23			
D13	A24	→ 13		
D15	A25	→ 15		
Ground	A26			
Clock (-)	A27	→ Clock		
Ground	B14		Whichever pod is connected to "Odd" on the E5390A probe	
D0	B15	→ 0		
D2	B16	→ 2		
Ground	B17			
D4	B18	→ 4		
D6	B19	→ 6		
Ground	B20			
D8	B21	→ 8		
D10	B22	→ 10		
Ground	B23			
D12	B24	→ 12		
D14	B25	→ 14		
Ground	B26			
Clock (+)	B27	→ Clock		

Probing Solutions for 90-pin Logic Analyzers

Soft Touch Connectorless Probing (Continued)

Equivalent probe loads

The following probe load models are based on in-circuit measurements made with a Keysight 8753E 6 GHz network analyzer and a Keysight 54750A TDR/TDT using a 50 Ω test fixture. The following schematic accurately models the probe load out to 6 GHz. PC board pads are not included.

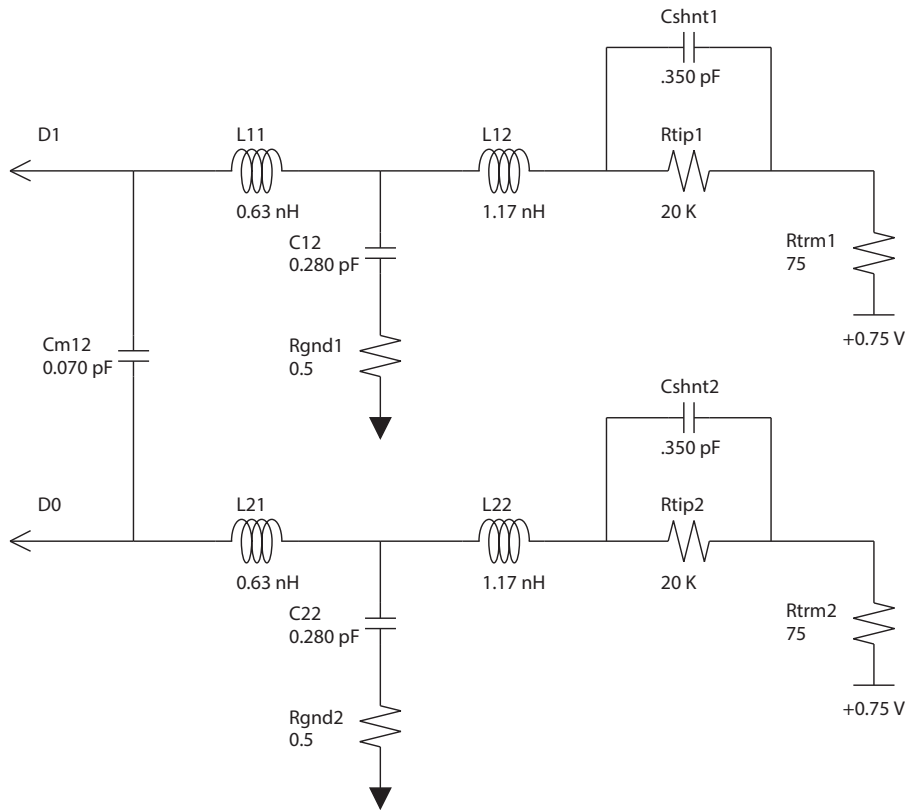


Figure 6.20. Equivalent probe load model.

Probing Solutions for 90-pin Logic Analyzers

Mictor and Samtec Probing

E5378A 100-pin single-ended probe

The E5378A is a 34-channel single-ended Samtec probe capable of capturing data up to 1.5 Gbits/sec (see Figures 7.3 and 7.5 for probe dimensions and equivalent load). The probe has the following inputs:

- 32 single-ended data inputs, in two groups (pods) of 16.
- Two differential clock inputs. Either or both clock inputs can be acquired as data inputs if not used as a clock.
- Two data threshold reference inputs, one for each pod (group of 16 data inputs).

E5379A 100-pin differential probe

The E5379A is a 17-channel differential Samtec probe capable of capturing data up to 1.5 Gbits/sec (see Figures 7.5 and 7.6 for probe dimensions and equivalent load). The probe has the following inputs:

- 16 differential data inputs.
- One differential clock input.
- The clock input can be acquired as a data input if it is not used as a clock.

Refer to Table 8 on page 61 for part numbers for mating connectors and shrouds.

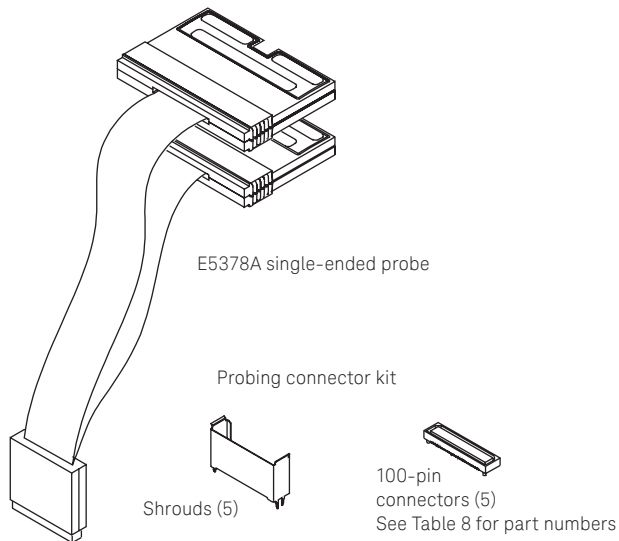


Figure 6.21. Keysight E5378A probe.

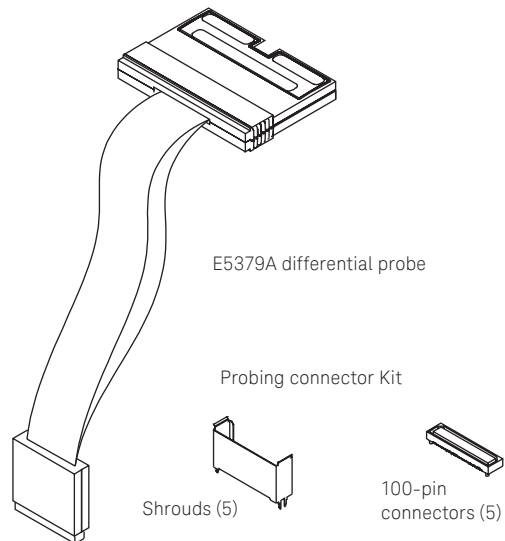


Figure 6.22. Keysight E5379A probe.

Probing Solutions for 90-pin Logic Analyzers

Mictor and Samtec Probing (Continued)

E5380A/B 38-pin probe

The E5380A/B is designed to be compatible with the Mictor connector. If you have a target system designed for connection to the E5346A high-density probe adapter, the E5380A/B probe will connect directly to this same Mictor connector. (For information on the E5346A, refer to pages 25 to 26). The maximum state speed when used with the E5380A/B probe is 600 Mbits/second. The minimum input signal amplitude required by the E5380A/B is 300 mV.

The E5380A/B probe combines two 17-channel cables into a single-ended 38-pin Mictor connector.

Refer to Table 8 for connector, shroud, and kit part numbers.

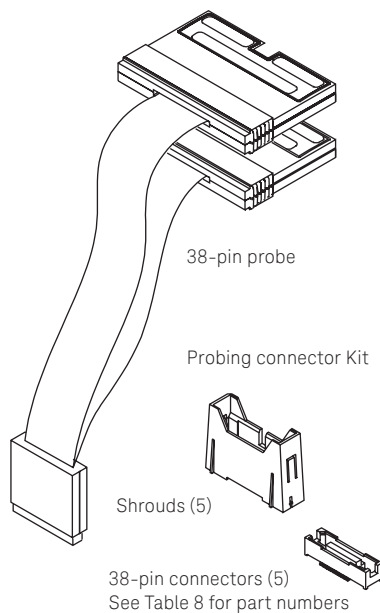


Figure 7.1. Keysight E5380A/B probe.

Table 8. Mating connectors, shrouds, and kits for Keysight E5378A, E5379A, and E5380A/B probes

For probe model numbers	Description	Keysight part number
E5378A, E5379A	Kit of 5 support shrouds and 5 100-pin Samtec connectors for PC board thickness up to 1.57 mm (0.062")	16760-68702
	Kit of 5 support shrouds and 5 100-pin Samtec connectors for PC board thickness up to 3.05 mm (0.120")	16760-68703
	One 100-pin Samtec connector (also available from Samtec as part number ASP-65067-01)	1253-3620
	One support shroud for PC board thickness up to 1.57 mm (0.062")	16760-02302
	One support shroud for PC board thickness up to 3.05 mm (0.120")	16760-02303
E5380A/B	Kit of 5 support shrouds and 5 38-pin Mictor connectors for PC board thickness up to 1.57 mm (0.062")	E5346-68701
	Kit of 5 support shrouds and 5 38-pin Mictor connectors for PC board thickness up to 3.175 mm (0.125")	E5346-68700
	One 38-pin Mictor connector (also available from AMP as part number 2-767004-2)	1252-7431
	One support shroud for PC board thickness up to 1.57 mm (0.062")	E5346-44701
	One support shroud for PC board thickness up to 3.175 mm (0.125")	E5346-44704
	One support shroud for PC board thickness up to 4.318 mm (0.700")	E5346-44703

For further information on designing the E5378A, E5379A, or E5380A/B probe connectors into your system, refer to the following documents:

Keysight Logic Analyzer Probes (E5378A, E5379A, E5380A/B, and E5386A) User's Guide	Mechanical drawings, electrical models, general information on probes for logic analyzers with 90-pin connectors	16760-97016 http://literature.cdn.keysight.com/litweb/pdf/16760-97016.pdf
Designing High-Speed Digital Systems for Logic Analyzer Probing	Design recommendations, examples, and analysis for layout of target systems	5988-2989EN http://literature.cdn.keysight.com/litweb/pdf/5988-2989EN.pdf

Probing Solutions for 90-pin Logic Analyzers

Mictor and Samtec Probing (Continued)

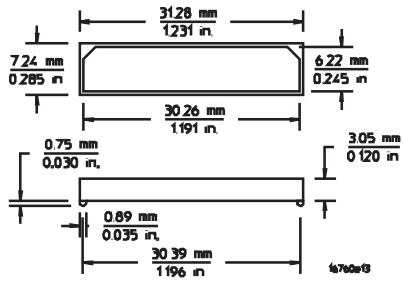


Figure 7.2. Dimensions of the 100-Pin Samtec connector used in the 16760-68702 and 16760-68703 connector kits.

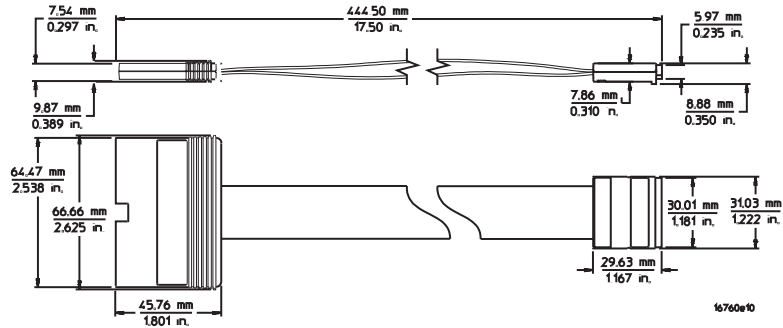


Figure 7.3. E5378A 100-pin single-ended probe dimensions.

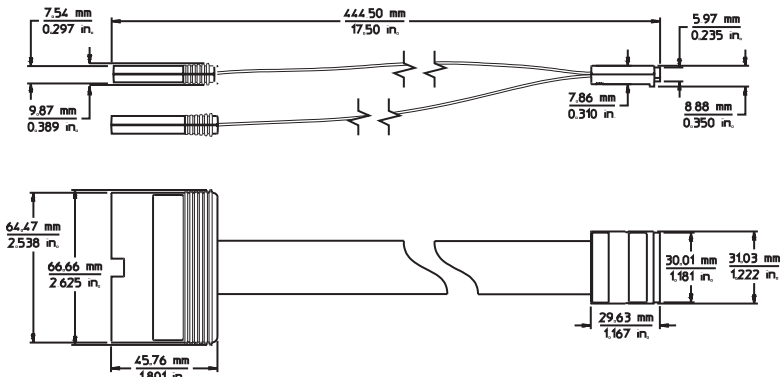


Figure 7.4. E5379A 100-pin differential probe dimensions.

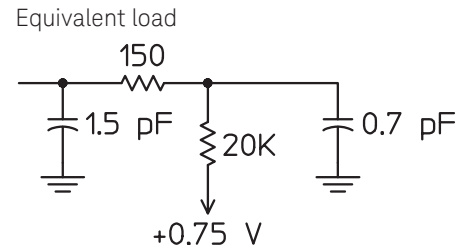


Figure 7.5. E5378A and E5379A input equivalent load, including 100-pin connector.

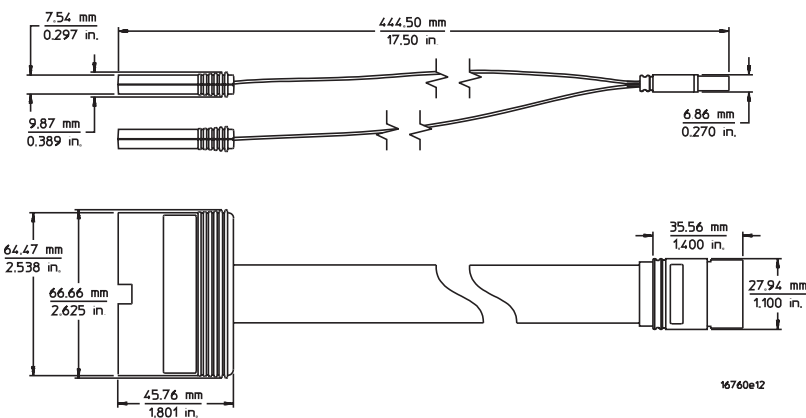


Figure 7.6. E5380A/B 38-Pin probe dimensions.

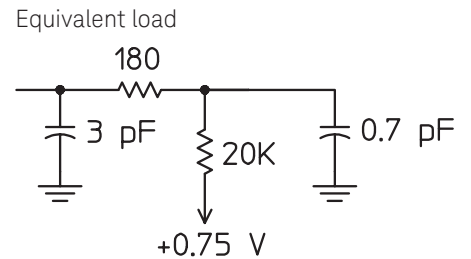


Figure 7.7. E5380A/B input equivalent load, including 38-pin connector.

Probing Solutions for 90-pin Logic Analyzers High-Speed Timing Probing

E5386A half-channel adapter

When the Keysight high-speed timing analyzers are operating at their maximum speed, only the even numbered channels are used. To reduce the number of probes and connectors required, the E5386A adapter maps the even channels to all of the pins of an E5378A and E5379A Samtec probes, E5387A and E5390A Soft Touch Connectorless probes, and Soft Touch Pro Series connectorless probes E5404A, E5405A, and E5406A. The following diagrams show how the E5386A is connected.



Figure 8.1. E5386A half-channel probe adapter.

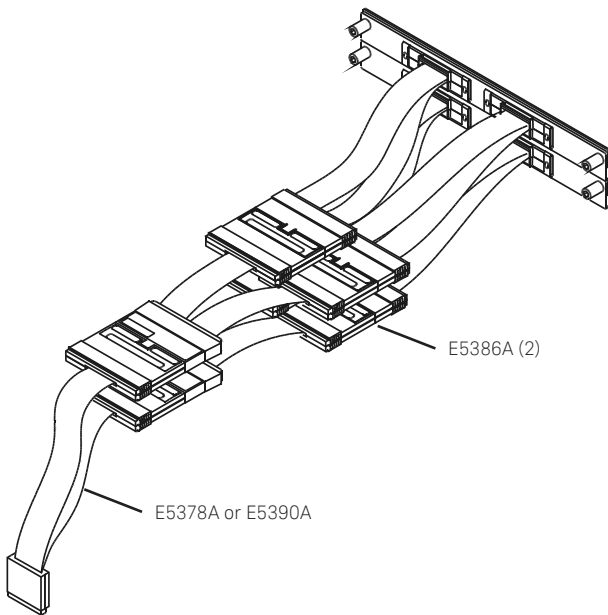


Figure 8.2. E5386A with E5378A, E5390A, or E5406A single-ended probe.

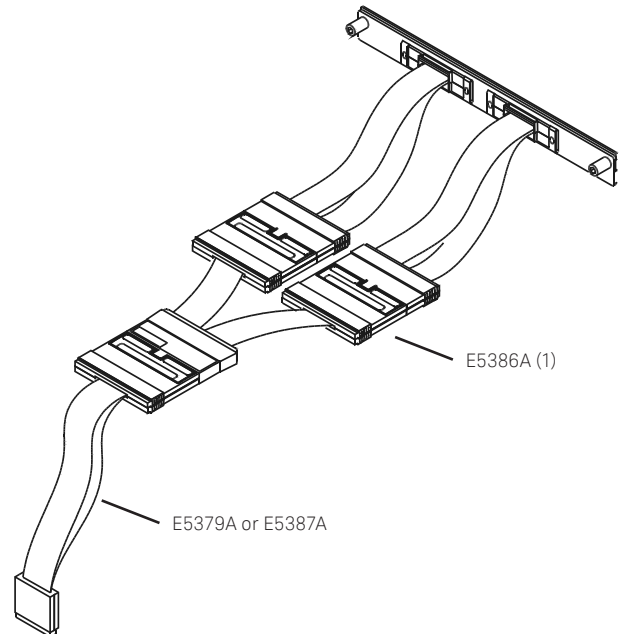


Figure 8.3. E5386A with E5379A, E5387A, or E5405A differential probe.

For further information on the application of the E5386A Half-channel adaptor refer to Keysight E5400-Pro Series Soft Touch Connectorless Probes User's Guide, publication number E5404-97006.pdf

General-Purpose Probing Flying Lead Probing Accessories

Wedge adapters

The Keysight Wedge technology provides very reliable probing of a few channels on 0.5 mm and 0.65 mm pitch QFPs. No clear area is required around the device. Each Wedge of the probe slides between the legs of the QFP. The side of each Wedge probe contacts the package legs. An insulation core electrically isolates the sides of each Wedge (see Figures 9.1 and 9.2). Various 3-signal, 8-signal, and 16-signal probes are available (see Table 9).

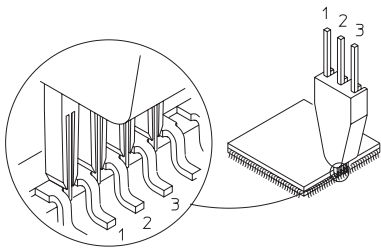
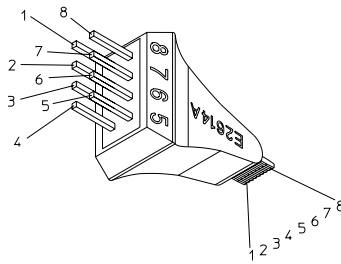


Figure 9.1. Three-signal Wedge electrical connection

Table 9. Wedge probe adapter

IC leg spacing	Number of signals	Number of wedges in pack	Model number
0.5 mm	3	1	E2613A
0.5 mm	3	2	E2613B
0.5 mm	8	1	E2614A
0.5 mm	16	1	E2643A
0.65 mm	3	1	E2615A
0.65 mm	3	2	E2615B
0.65 mm	8	1	E2616A
0.65 mm	16	1	E2644A



Top view of 16 signal pins

Bottom view of 16 ground pins (connected to common ground plane)

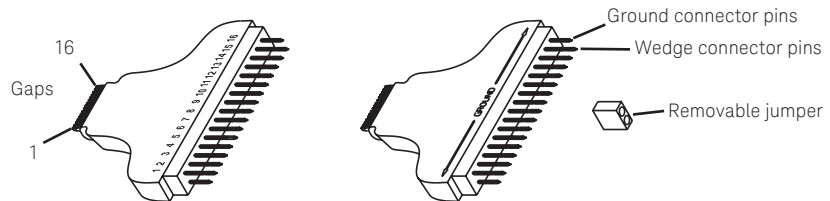


Figure 9.2. Eight-signal and 16-signal Wedge (16-signal Wedge has a common ground plane).

Miscellaneous probing accessories

The ferrite core assembly can be added to the probe cable to suppress EMI and RFI noise that can corrupt the measurement.

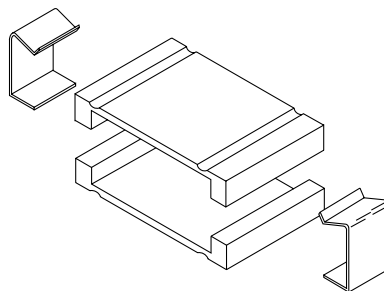


Figure 9.3. Ferrite core assembly, 16555-60001.

40-pin and 90-pin Logic Analyzers Probe Cables

Signal line loading

Any probed signal line must be able to supply a minimum of 600 mV (unless noted otherwise – see probe of interest) to the probe tip while the probe is connected to the system. The maximum input voltage of each probe is ± 40 volts peak (unless noted otherwise – see probe of interest).

Probe cables

The probe cable (see Figure 10.1 and Table 10) contains 16 signal lines and two clk lines, two +5 volt power lines, and ground lines for each of the signal/clock and power lines. All of these lines are contained in a 4.5-foot cable. The probe cable is included with the logic analyzer. The cable grounds are chassis (earth) grounds, not “floating” grounds. The two +5 volt power lines can be used to power active probing systems. Consult the specifications for the individual logic analyzers or logic analyzer cards for the maximum allowable current through each +5 volt power supply.

Caution: These +5 volt power lines MUST NOT be connected to the target’s power supply.

Caution: Be careful when using straight wire probe leads, one common ground, or RC networks located far from the target. These circumstances increase the impact of analog effects such as crosstalk and EMT susceptibility, which contribute to measurement errors.

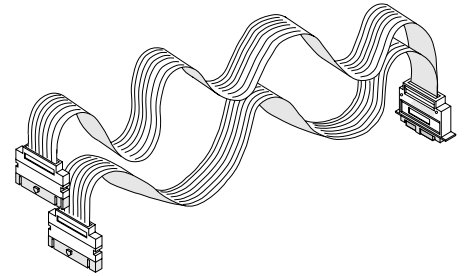


Figure 10.1. Typical logic analyzer probe cable.

Related Information

Keysight logic analysis third-party partners:

For a complete list of partners, see document 5966-4365EUS *Processor and Bus Support for Keysight Technologies Logic Analyzers*

3M

<http://www.mmm.com/interconnects>

AMP, Inc.

Phone: 1-717-986-7777

Fax: 1-717-986-7575

Phone (USA only): 1-800-522-6752

E-mail: product.info@amp.com

Web site: <http://www.amp.com>

Keysight Technologies Test and Measurement Organization support line phone number: 1-800-452-4844

Keysight Technologies Test and Measurement Organization web site: <http://www.keysight.com>

Keysight Technologies Test and Measurement Logic Analyzers web site: <http://www.keysight.com/find/logic>

Keysight Technologies Test and Measurements Accessories web site: http://www.keysight.com/find/la_probing

This document does not cover the following topics:

- Pattern generator probing and accessories
 - See:
 - *Keysight 16800 Series Portable Logic Analyzers - Data Sheet*, publication number 5989-5063EN
 - *Keysight Technologies Measurement Modules for the 16900 Series - Data Sheet*, publication number 5989-0422EN
- Analysis probes for processors and buses
 - See:
 - *Processor and Bus Support for Keysight Technologies Logic Analyzers - Configuration Guide*, publication number 5966-4365E

myKeysight

myKeysight

www.keysight.com/find/mykeysight

A personalized view into the information most relevant to you.



www.axiestandard.org

AdvancedTCA® Extensions for Instrumentation and Test (AXIe) is an open standard that extends the AdvancedTCA for general purpose and semiconductor test. Keysight is a founding member of the AXIe consortium. ATCA®, AdvancedTCA®, and the ATCA logo are registered US trademarks of the PCI Industrial Computer Manufacturers Group.



www.lxistandard.org

LAN eXtensions for Instruments puts the power of Ethernet and the Web inside your test systems. Keysight is a founding member of the LXI consortium.



www.pxisa.org

PCI eXtensions for Instrumentation (PXI) modular instrumentation delivers a rugged, PC-based high-performance measurement and automation system.



Three-Year Warranty

www.keysight.com/find/ThreeYearWarranty

Keysight's commitment to superior product quality and lower total cost of ownership. The only test and measurement company with three-year warranty standard on all instruments, worldwide.



Keysight Assurance Plans

www.keysight.com/find/AssurancePlans

Up to five years of protection and no budgetary surprises to ensure your instruments are operating to specification so you can rely on accurate measurements.



www.keysight.com/go/quality

Keysight Technologies, Inc.
DEKRA Certified ISO 9001:2008
Quality Management System

Keysight Channel Partners

www.keysight.com/find/channelpartners

Get the best of both worlds: Keysight's measurement expertise and product breadth, combined with channel partner convenience.

www.keysight.com/find/la_probing

For more information on Keysight Technologies' products, applications or services, please contact your local Keysight office. The complete list is available at: www.keysight.com/find/contactus

Americas

Canada	(877) 894 4414
Brazil	55 11 3351 7010
Mexico	001 800 254 2440
United States	(800) 829 4444

Asia Pacific

Australia	1 800 629 485
China	800 810 0189
Hong Kong	800 938 693
India	1 800 112 929
Japan	0120 (421) 345
Korea	080 769 0800
Malaysia	1 800 888 848
Singapore	1 800 375 8100
Taiwan	0800 047 866
Other AP Countries	(65) 6375 8100

Europe & Middle East

Austria	0800 001122
Belgium	0800 58580
Finland	0800 523252
France	0805 980333
Germany	0800 6270999
Ireland	1800 832700
Israel	1 809 343051
Italy	800 599100
Luxembourg	+32 800 58580
Netherlands	0800 0233200
Russia	8800 5009286
Spain	800 000154
Sweden	0200 882255
Switzerland	0800 805353
	Opt. 1 (DE)
	Opt. 2 (FR)
	Opt. 3 (IT)
United Kingdom	0800 0260637

For other unlisted countries:
www.keysight.com/find/contactus
(BP-09-23-14)

