

**Agilent**

**4395A Network/Spectrum/Impedance Analyzer  
500 MHz**

**4396B Network/Spectrum/Impedance Analyzer  
1.8 GHz**

Technical Overview

## **New Approach to Electronic Component and Circuit Evaluation**

*A new concept in testing that combines the power of a vector network analyzer, a spectrum analyzer, and an optional impedance analyzer.*

Take an innovative approach to evaluating electronic components and circuits. The Agilent Technologies combination analyzers family combines three analyzer functions in one powerful instrument: a vector network analyzer, a spectrum analyzer, and an optional impedance analyzer. Now you can use one analyzer for multiple testing needs.

Because many electronic components such as amplifiers require both vector network and spectrum parameters, you need a combination analyzer to meet new testing requirements such as:

- Measuring intermodulation distortion and phase performance of components used in digital communication systems.
- Characterizing monolithic ICs or circuit blocks.

Compared with using separate analyzers, you save equipment cost and bench space with the Agilent 4395A/96B, and avoid time-consuming and messy signal cabling to multiple instruments.



**Agilent Technologies**

# Introducing the Agilent 4395A

## An integrated solution delivering exceptional performance and high value to 500 MHz

### Color TFT (thin film transistor) LCD with dual display

- Split-screen viewing for two independent channels
- VGA output for external monitor

Three analyzer functions give you maximum flexibility. Jump from one type of measurement to another with the push of a button.

### Two independent channels provide flexibility

- Test both parameters in your selected analyzer mode (vector network, spectrum, or optional impedance)
- Get real-time data through fast alternate sweeps

### Markers highlight key data points quickly:

- Up to eight markers per channel
- Delta marker
- Marker zoom
- Peak search, peak all, marker analysis functions and more

### Powerful calibration/compensation

### Vector network and high sensitive spectrum input ports offer:

- R, A, B ports for transmission and reflection measurements
- R, A, B ports for high sensitivity spectrum measurements
- 75  $\Omega$  impedance conversion (Option 4395A-1D7)

### Fast sweep improvements throughout

### DC source (Option 4395A-001)

### 1.44 MB floppy disk drive lets you save and recall in either LIF or MS-DOS<sup>®</sup> format:

- Test setups
- Calibration data
- Measurement data
- IBASIC programs
- Graphic (TIFF) files

### Test sets and accessories give you measurement options in 50 $\Omega$ or 75 $\Omega$

- Agilent 87511A/B S parameter test set

### Synthesized source for network/impedance analysis provides:

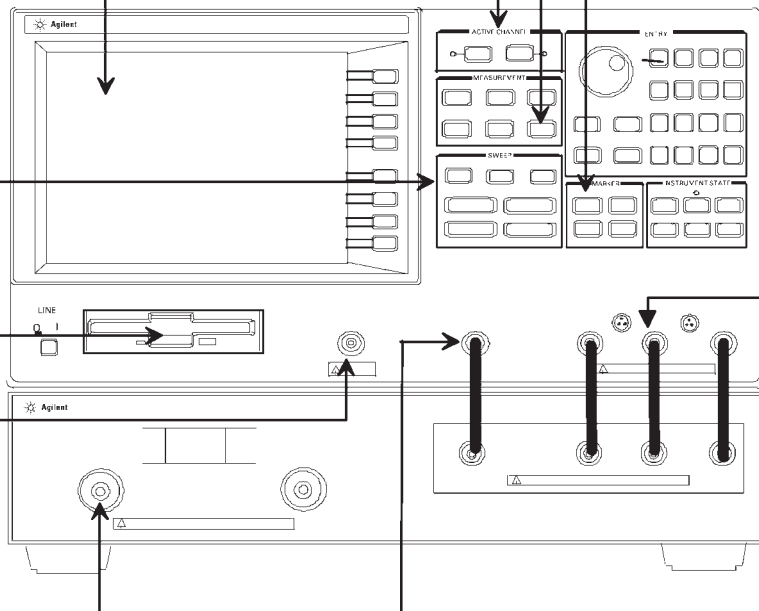
- 1 MHz and 0.1 dB resolution
- 2- to 801-point sweep
- High-stability frequency reference (Option 4395A-1D5)

### Optional impedance analysis:

- Option 4395A-010 adds impedance measurement function
- Agilent 43961A RF impedance test kit

### Agilent IBASIC adds these capabilities:

- Test automation
- External instrument control through GPIB or digital I/O port
- Programming from an external keyboard
- Keystroke recording
- Customizing test setups for adjacent channel power and occupied bandwidth measurements
- Data analysis
- IBASIC program one key execution function



# Introducing the Agilent 4396B

**An integrated solution delivering exceptional performance and high value to 1.8 GHz**

**Color TFT (thin film transistor) LCD with dual display**

- Split-screen viewing for two independent channels
- VGA output for external monitor

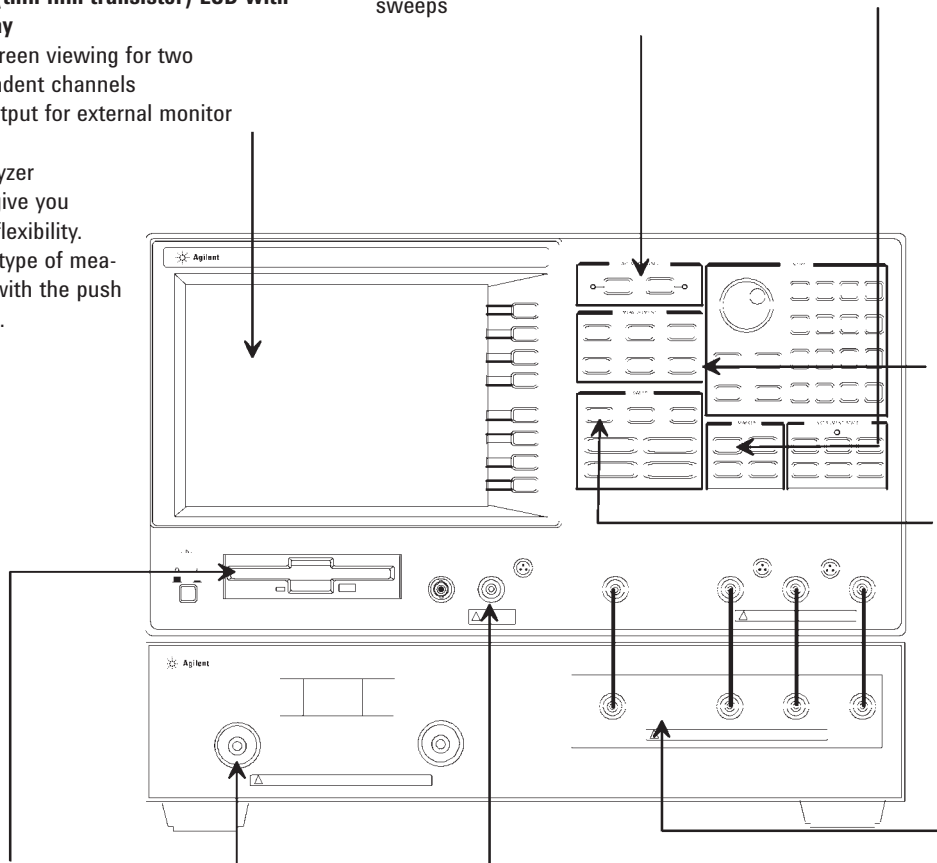
Three analyzer functions give you maximum flexibility. Select the type of measurement with the push of a button.

**Two independent channels provide flexibility**

- Test parameters in either vector network, spectrum, or optional impedance
- Get real-time data through fast alternate sweeps

**Markers highlight key data points quickly:**

- Up to eight markers per channel
- Delta marker
- Marker zoom
- Peak search, peak all, and more



**Powerful calibration/compensation**

**Fast sweep increases throughput**

**Vector network and high sensitive spectrum input ports offer:**

- R, A, B ports for transmission and reflection measurements
- Spectrum monitoring on any network port

**1.44 MB floppy disk drive lets you save and recall in either LIF or MS-DOS® format:**

- Test setups
- Calibration data
- Measurement data
- IBASIC programs
- Graphic (TIFF) files

**Spectrum analysis input port**

- High Sensitivity
- 75 Ω impedance conversion (Option 4396B-1D7)

**Synthesized source for network/impedance analysis provides:**

- 1 mHz and 0.1 dB resolution
- 2- to 801-point sweep
- High-stability frequency reference (Option 4396B-1D5)

**IBASIC adds these capabilities:**

- Test automation
- External instrument control through GPIB or digital I/O port
- Programming from an external keyboard
- Keystroke recording
- Customizing test setups for adjacent channel power and occupied bandwidth measurements
- Data analysis

**Test sets and accessories give you measurement options in 50 Ω or 75 Ω:**

- Agilent 85046A/B S parameter test set

**Optional impedance analysis:**

- Option 4396B-010 adds impedance measurement function
- Agilent 43961A RF impedance test kit

# Exceptional Performance for Design and Manufacturing

In the lab, evaluate your designs completely and accurately with one instrument. The Agilent 4395A and the Agilent 4396B reduce learning and testing time so you get precision measurements with improved efficiency.

On the production line, increase your throughput with the combination analyzer. A combination analyzer makes it faster and easier to switch between different types of tests. You can optimize production testing with these capabilities:

- High test speed for vector network analysis
- Fast narrow band spectrum analysis with stepped FFT
- List sweep
- Limit lines
- Test automation with built-in IBASIC

The analyzer's small footprint saves valuable bench space in any environment.

The Agilent combination analyzers family, a full-capability combination analyzer, makes no trade-offs among vector network, spectrum, and impedance performance. The spectrum analyzer function is based on digital signal processing (DSP) technology to speed measurement computation. It is a breakthrough in test instruments, giving you outstanding performance at an attractive price.

Make all of the following measurements with the Agilent 4395A/96B:

## Vector network analysis

Attenuation  
 Bandwidth  
 Center frequency  
 Complex impedance  
 Cross talk/isolation  
 Directivity  
 Flatness  
 Frequency response  
 Gain/loss  
 Gain compression  
 Group delay  
 Insertion loss  
 Linearity  
 Phase  
 Reflection coefficient  
 Return loss  
 Ripple  
 Rolloff  
 VSWR

## Spectrum analysis

Adjacent channel power<sup>1</sup>  
 Carrier-to-noise  
 Flatness  
 Frequency  
 Harmonic distortion  
 Intermodulation distortion  
 Linearity  
 Noise  
 Occupied bandwidth<sup>1</sup>  
 On/off ratio  
 Phase noise  
 Power  
 Sensitivity  
 Spurious  
 Sidebands

## Impedance analysis<sup>2</sup>

Impedance ( $|Z|$ )  
 Admittance ( $|Y|$ )  
 Phase ( $\theta$ )  
 Resistance (R)  
 Reactance (X)  
 Conductance ( $\Gamma$ )  
 Susceptance (B)  
 Capacitance (C)  
 Inductance (L)  
 Dissipation factor (D)  
 Quality factor (Q)  
 Reflection coefficient ( $\Gamma$ )

Optional: Burst-signal analysis (Option 439xx-1D6)

1. With IBASIC

2. With Option 439xx-010 and Agilent 43961A

# Major Specifications

## Agilent 4395A

| Network analyzer specification |                               | Spectrum analyzer specification |  | Impedance analyzer specification <sup>2</sup> |   |
|--------------------------------|-------------------------------|---------------------------------|--|---|---|
| Frequency range                | 10 Hz to 500 MHz <sup>1</sup> | Frequency range                 | 10 Hz to 500 MHz                             | Frequency range                               | 100 kHz to 500 MHz  |
| Frequency resolution           | 1 mHz                         | Noise sidebands                 | < -104 dBc/Hz<br>typical at 10 kHz<br>offset | Meas. parameter                               | Z , $\theta_z$ , R, X,  Y ,<br>$\theta_y$ , G, B, Cs, Cp, Ls,<br>Lp, Rp, Rs, X, D, Q,<br>$\Gamma_I$ , $\Gamma_x$ , $\Gamma_y$ |
| Output power range             | -50 to 15 dBm                 | Resolution bandwidth            | 1 Hz to 1 MHz in<br>1-3-10 steps             | Z accuracy                                    | ±3% (typical,<br>basic accuracy)  |
| Dynamic range                  | 115 dB @ 10 Hz IFBW           | Dynamic range                   | > 100 dB third-order<br>free dynamic range   | Source level                                  | -56 dBm to<br>+9 dBm (at DUT)   |
| Dynamic accuracy               | ±0.05 dB/0.3 deg.             | Level accuracy                  | ±0.8 dB @ 50 MHz                             | DC bias                                       | ±40 V (20 mA (max))<br>(Option 4395A-001<br>DC source or external<br>DC source is required.)                                  |
| Calibration                    | Full two-port                 | Sensitivity                     | -145 dBm/Hz<br>@ freq. = 10 MHz              | Compensation                                  | OPEN/SHORT/LOAD<br>port extension   |

Standard features: Instrument BASIC, GPIB port, 3.5" floppy disk drive, direct print, RAM disk, VGA monitor output.

Optional features: Impedance measurement (Option 4395A-010), time-gated spectrum analysis (Option 4395A-1D6), high-stability frequency reference (Option 4395A-1D5), 50  $\Omega$  to 75  $\Omega$  spectrum input impedance conversion (Option 4395A-1D7), DC source ( $\pm 40$  V, 100 mA (ALC)) (Option 4395A-001).

- 100 kHz to 500 MHz if using the Agilent 87511A/B S-parameter test set.
- With Option 4395A-010 and the Agilent 43961A RF impedance test kit

## Agilent 4396B

| Network analyzer specification |                                 | Spectrum analyzer specification |  | Impedance analyzer specification <sup>2</sup> |   |
|--------------------------------|---------------------------------|---------------------------------|--|---|---|
| Frequency range                | 100 kHz to 1.8 GHz <sup>1</sup> | Frequency range                 | 2 Hz to 1.8 GHz                              | Frequency range                               | 100 kHz to 1.8 GHz  |
| Frequency resolution           | 1 mHz                           | Noise sidebands                 | < -113 dBc/Hz<br>typical at 10 kHz<br>offset | Meas. parameter                               | Z , $\theta_z$ , R, X,  Y ,<br>$\theta_y$ , G, B, Cs, Cp,<br>Ls, Lp, Rp, Rs, X,<br>D, Q, $\Gamma_I$ , $\Gamma_x$ , $\Gamma_y$ |
| Output power range             | -60 to 20 dBm                   | Resolution bandwidth            | 1 Hz to 3 MHz in<br>1-3-10 steps             | Meas. range                                   | 2 $\Omega$ to 5 k $\Omega$  |
| Dynamic range                  | > 120 dB @ 10 Hz<br>IFBW        | Dynamic range                   | > 100 dB third-order<br>dynamic range        | Z accuracy                                    | ±3% (typical,<br>basic accuracy)  |
| Dynamic accuracy               | ±0.05 dB/0.3 deg.               | Overall level accuracy          | < ±1.0 dB                                    | Source level                                  | -66 dBm to<br>+14 dBm (at DUT)  |
| Calibration                    | Full two-port                   | Sensitivity                     | < -147 dBm/Hz<br>@ freq. = 1 GHz             | DC bias                                       | ±40 V (20 mA (max))<br>(External DC bias<br>source is required.)  |
|                                |                                 |                                 |  | Compensation                                  | OPEN/SHORT/LOAD<br>port extension   |

Standard features: Instrument BASIC, GPIB port, 3.5" floppy disk drive, direct print, RAM disk, VGA monitor output.

Optional features: Impedance measurement (Option 4396B-010), time-gated spectrum analysis (Option 4396B-1D6), high-stability frequency reference (Option 4396B-1D5), 50  $\Omega$  to 75  $\Omega$  spectrum input impedance conversion (Option 4396B-1D7).

- 300 kHz to 1.8 GHz if using the Agilent 85046A/B S-parameter test set.
- With Option 4396B-010 and the Agilent 43961A RF impedance test kit.

# Component Analysis for Today and the Future

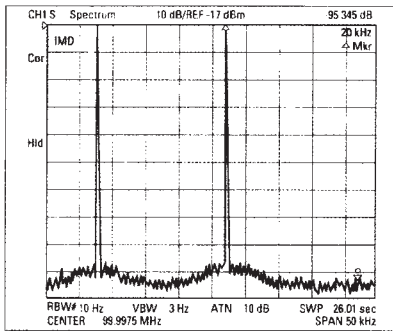
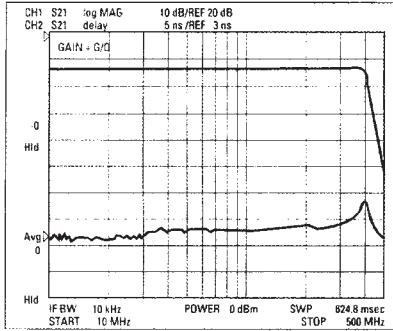
Modern digital communication systems require high linearity of signal transmission. To meet this new requirement, electronic components must have well-characterized phase and magnitude performance. Spectrum measurements, such as intermodulation distortion, are key to achieving high system quality. Also impedance measurements are very important to develop the high quality design.

The Agilent 4395A/96B keeps up with your new demands by offering the capabilities you need in an easy-to-use instrument. Eliminate the extra work and cost associated with using multiple instruments. Follow these simple steps to test your components:

- Easily alternate between vector network and spectrum measurements.
- See two measurement parameters on the dual-display color TFT LCD.
- Use powerful marker functions and up to eight markers per channel for data searching.
- Save and recall calibration data, measurement data, and test programs with either internal RAM disk or floppy disk.
- Easily dump data directly from the analyzer to the centronics printer.

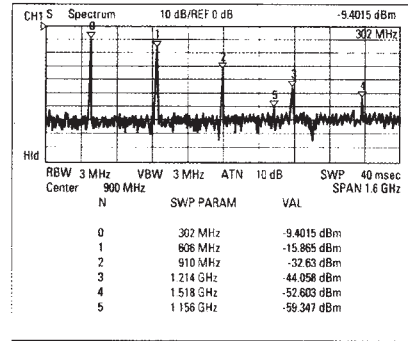
## Amplifiers

Make both linear and non-linear measurements with the Agilent combination analyzer. You get wide dynamic range for accurate intermodulation distortion measurement.



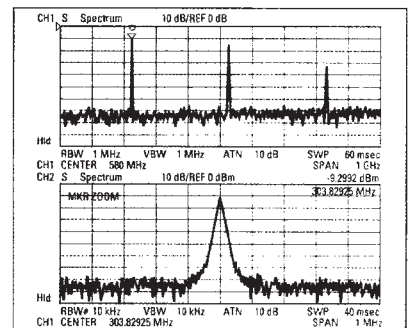
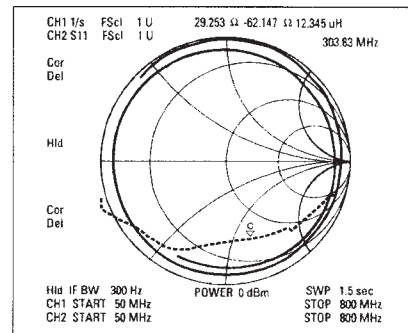
## Mixers

Measure mixer output easily with peak all and marker list. Measure conversion signals for distortion and harmonics.



## Oscillators

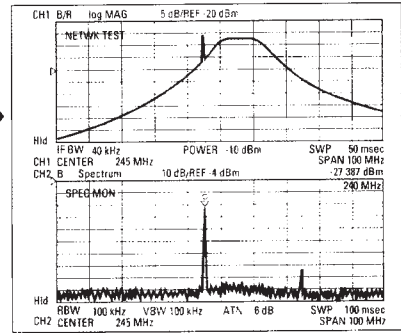
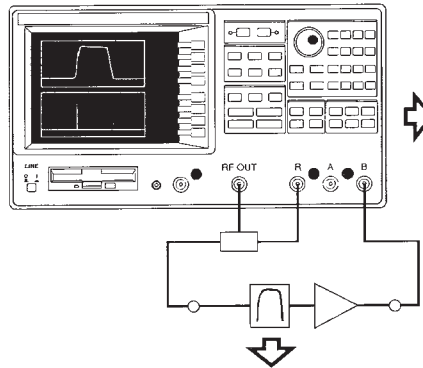
Predict oscillator stability by measuring the reflection coefficient in the vector network mode. Turn to the spectrum mode to see oscillation frequency, harmonics, and noise. Use marker zoom for measuring output level.



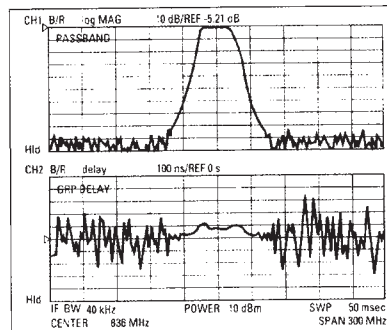
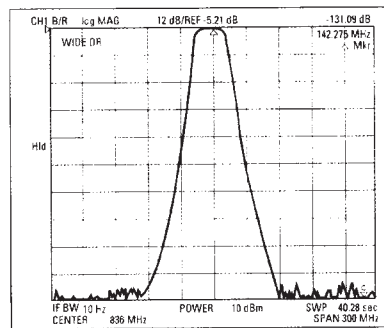
## Filters

Characterize passband, stopband, group delay, and phase:

- Wide dynamic range.  
±0.05 dB/±0.3 deg. gain/phase dynamic accuracy.
- Real-time tuning.
- High-stability frequency reference (Option 439xx-1D5) for narrowband and high Q devices.



**Agilent 4396B network/spectrum simultaneous measurement**



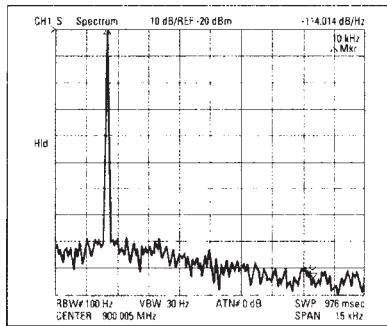
## Two independent channels

With the Agilent 4395A, you determine the analyzer type (network, spectrum, or impedance) first, and then you can define each channel's parameters under your selected analyzer type. Using the 4396B, you can define analyzer type for each channel independently. So if you see any unusual frequency response while making a network measurement on the Agilent 4396B, you can quickly switch to spectrum monitoring (source will be turned off) to identify spurious signals without changing DUT connection on the color LCD with dual display as shown in figure.

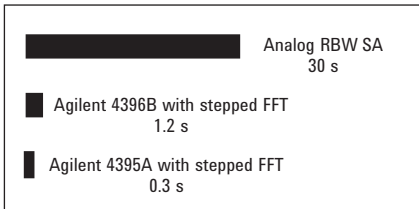
# Precision Spectrum Analysis with Improved Speed and Accuracy

Accurate signal monitoring is critical for designing quality products. In today's competitive environment, you need better spectrum measurement capabilities to stay ahead of the competition. The Agilent 4395A/96B, designed with new digital techniques, outperforms traditional analog spectrum analyzers.

- Improve testing speed up to 100 times for narrow RBW sweep. The analyzer's stepped FFT technique (4395A: all RBWs, 4396B: RBW ≤ 3 kHz) breaks the speed barrier to give you lower noise floor without sacrificing speed.
- Fully synthesized source.
- 1 Hz RBW with 3:1 shape factor for close-in signals.

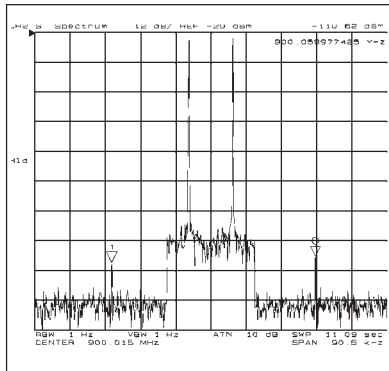


Sweep time comparison at 100 kHz span and 100 Hz RBW



Get dramatic speed improvement, with no loss of accuracy, for narrow RBW sweeps. In addition, low phase noise provides improved signal resolution.

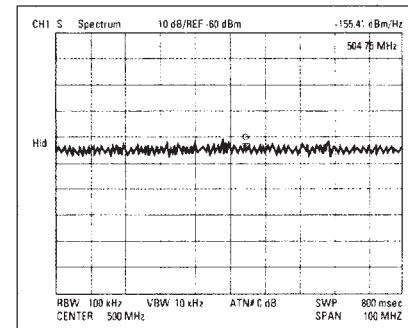
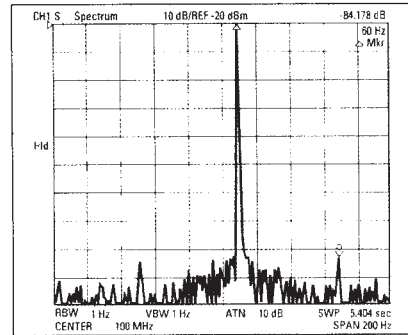
List sweep function can be used in not only network and impedance analysis, but also in spectrum analysis. List sweep separates the sweep frequency range into segments, and each segment can have an independent frequency range, number of sweep points, RBW, and power level settings. By using list sweep function, separate frequency bands can be measured in one sweep, or different RBW can be set for harmonics, IMD, and wide dynamic range measurements can be done in a shorter time.



IMD measurement using list sweep function

- See close-in signals using the 1 Hz RBW with a 3:1 shape factor.

Monitor close-in low level signals such as the 60-Hz power line sideband ripple shown here. You get excellent spectral resolution from digital RBW filters (4395A: all RBWs, 4396B: RBW ≤ 3 kHz) with a shape factor as steep as 3:1.



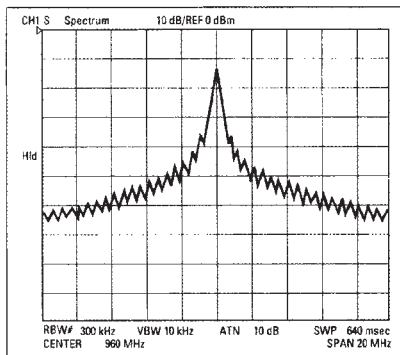
Measure noise precisely. The analyzer's low noise floor provides the sensitivity required for detecting low-level signals.



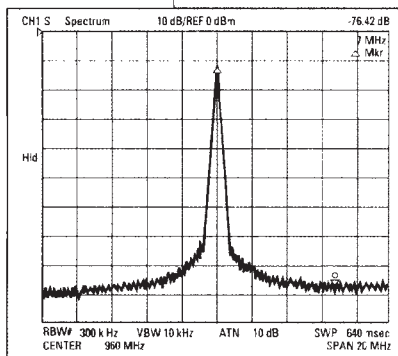
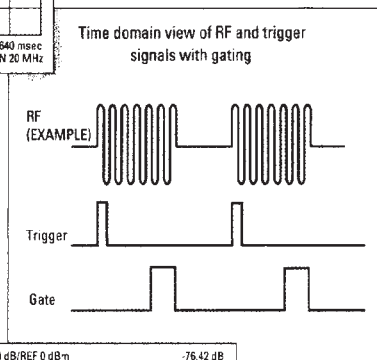
Perform accurate burst signal analysis with time-gating (Option 439xx-1D6). Digital video bandwidth smooths noise faster than analog spectrum analyzers.

Use these powerful spectrum analysis capabilities, combined with vector network analysis, for design and test in these applications:

- CATV
- GPS
- GSM
- HDTV
- VSAT
- VCR
- Optical disk drives
- Mobile radio
- Cellular communications

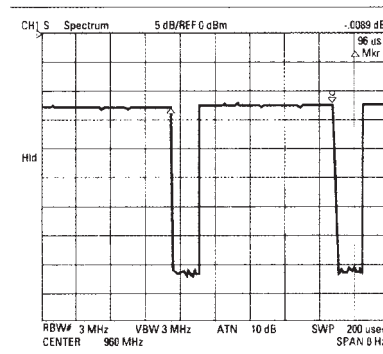


Frequency spectrum of a signal measured without time gating.



You can use time gating to accurately characterize burst-modulated signals used in data storage, television, and video equipment. Narrow gating (4395A: 6 ms min. 4396B: 2 ms min.) is ideal for testing disk drives.

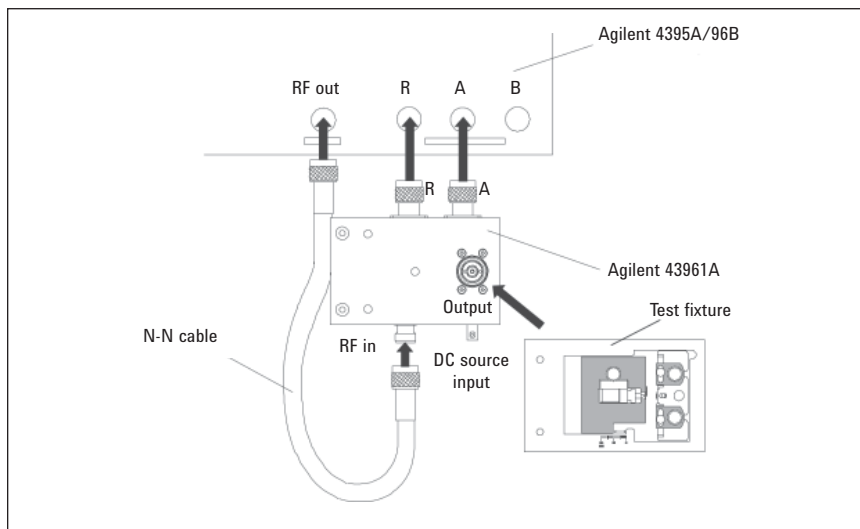
Time gating (Option 439xx-1D6) lets you make measurements within the burst envelope.



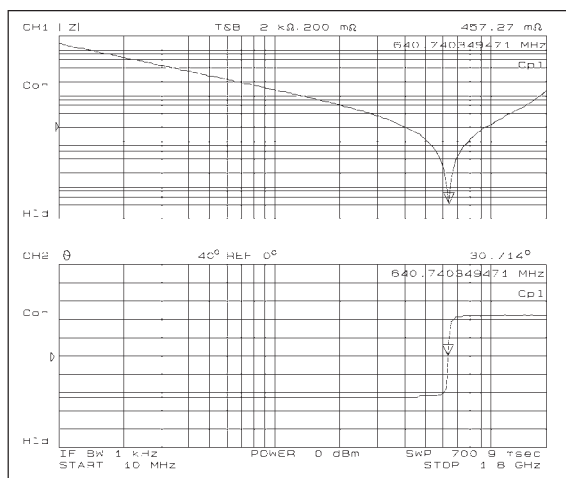
View the amplitude and modulation characteristics of a repetitive signal in Zero Span. The analyzer functions as a tunable receiver.

# Accurate Direct Impedance Measurement

The Agilent 4395A/96B can perform direct impedance measurements with the addition of Option 439xx-010 and the Agilent 43961A RF impedance test kit. Covering from 100 kHz, impedance parameters  $|Z|$ ,  $\theta$ , C, L, Q, D and more are measured and displayed directly on the color TFT LCD display. For the Agilent 4395A, the Option 4395A-001 DC source is available to apply to the device, up to  $\pm 40$  V maximum.



Connecting the Agilent 43961A to the Agilent 4395A/96B



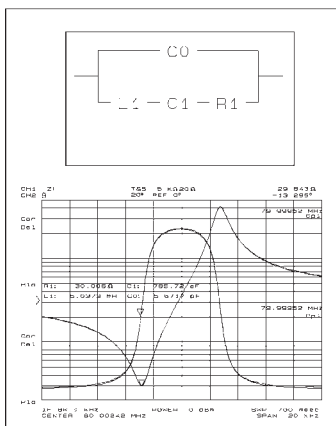
Two independent measurement channels and flexibility to impedance analysis

## Direct display of impedance data

The impedance measurement capability provides powerful display choices, allowing direct parameter versus frequency display. Measure and display capacitance, inductance, and impedance magnitude and phase, and more, as functions of frequency. In addition, a lumped equivalent circuit function aids component modeling and simulation.

## Many applicable fixtures and powerful error compensation

Many 7-mm connector type test fixtures can be used for the Agilent combination analyzer with Option 439xx-010 and the 43961A impedance test kit because the 43961A employs the 7-mm connector as the measurement port. So, you can select an appropriate fixture among them. The combination analyzer with Option 439xx-010 has the powerful OPEN/SHORT/LOAD compensation, and port extension compensation, which eliminate any errors introduced by the test fixture and allow accurate direct impedance measurements.



Equivalent component analysis (resonator)

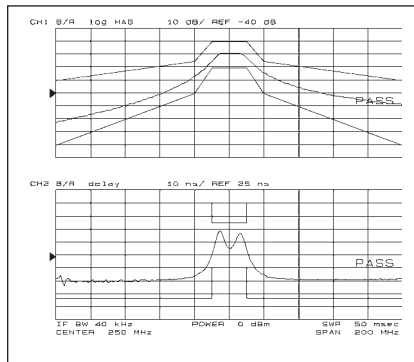
# Easy Test Automation and System Integration

Maximize your throughput with the Agilent combination analyzer family. The analyzer is designed for high-volume testing:

- Fast vector network measurement speed
- List sweep for fast testing at selected frequencies
- Built-in IBASIC for test automation.
- Limit lines for pass/fail test
- RAM disk with fast data access
- Digital I/O port for controlling handlers or non-GPIB test equipment
- VGA monitor output for an even larger display, improving productivity and reducing viewing fatigue

## Limit functions

The built-in limit lines allow you to screen parts automatically and quickly.

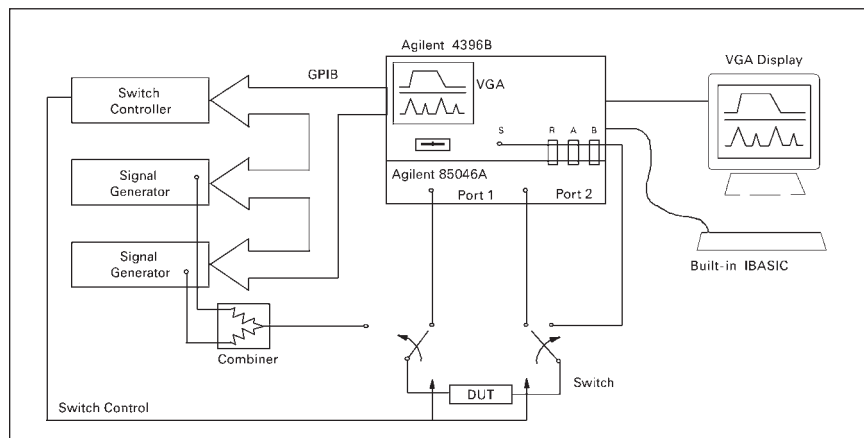


## What is IBASIC?

IBASIC is a subset of the HT BASIC programming language. It is included in the standard Agilent 4395A/96B. IBASIC is extremely powerful, yet easy-to-use. You can automate testing, make customized programs, perform data analysis, and control external equipment with IBASIC. It supports an external keyboard for your convenience, and for effortless programming, it provides keystroke recording, which logs test code sequences as you push the buttons on the front panel.

You can control additional equipment without an external computer. By adding some external signal sources and RF switches, you can construct a cost-effective, high-speed test system for production.

The 4396B system (example shown in the block diagram) provides high-throughput, automated testing of gain, phase, and intermodulation distortion for components.



Integrate different instruments into a test system example with the Agilent 4396B

## IBASIC program one key execution (Agilent 4395A only)

The Agilent 4395A has a unique one key execution function. It allows you to select your desired IBASIC program in RAM disk or floppy disk, and to run it by simply pressing the softkey. It's beneficial to undertake your first function in the Agilent 4395A.

# Ordering Information

## Agilent 4395A

### Network/spectrum/impedance analyzer

#### Furnished accessory

Power cable and CD-ROM (manual)  
Note: Test fixtures, a keyboard, and a printed manual are not furnished as standard.

#### Configuration guide

Choose the option from the groups <A>, <B>, and <C> depending on your requirement. Then, choose the appropriate options from the option groups <D>, <E>, <F>, and <G>.

- Choose ONE and ONLY one (Options are mutually exclusive)
- Choose any combination

#### <A> For DC bias source

- 4395A-700 no DC bias source
- 4395A-001 DC bias source

#### <B> For frequency reference function

- 4395A-800 standard frequency reference
- 4395A-1D5 high stability frequency reference

#### <C> For time-gated spectrum analysis

- 4395A-706 no time-gated spectrum analysis
- 4395A-1D6 time-gated spectrum analysis

#### <D>For impedance measurement function

- 4395A-010 impedance measurement function

#### <E>For accessories

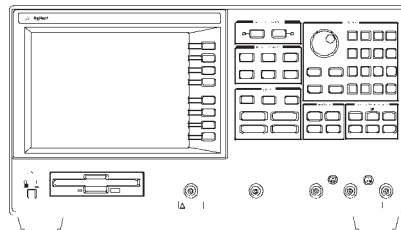
- 4395A-1D7 50  $\Omega$  - 75  $\Omega$  minimum loss pad
- 4395A-810 keyboard
- 4395A-1CM rackmount kit
- 4395A-1CN front handle kit
- 4395A-1CP handle/rack mount kit

#### <F>For calibration certificate

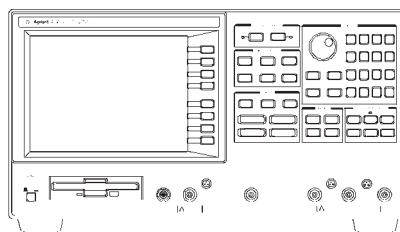
- 4395A-1A7 ISO 17025 compliant calibration

#### <G>For manual<sup>1</sup>

- 4395A-ABA U.S. - English localization
- 4395A-ABJ Japan - Japanese localization
- 4395A-0BW Service documentation, assembly level



4395A



4396B

## Agilent 4396B

### Network/spectrum/impedance analyzer

#### Furnished accessory

Power cable and CD-ROM (manual)  
Note: Test fixtures, a keyboard, and a printed manual are not furnished as standard.

#### Configuration guide

Choose the option from the groups <A> and <B> depending on your requirement. Then, choose the appropriate options from the option groups <C>, <D>, <E>, and <F>.

- Choose ONE and ONLY one (Options are mutually exclusive)
- Choose any combination

#### <A>For frequency reference function

- 4396B-800 standard frequency reference
- 4396B-1D5 high stability frequency reference

#### <B> For time-gated spectrum analysis

- 4396B-706 no time-gated spectrum analysis
- 4396B-1D6 time-gated spectrum analysis

#### <C> For impedance measurement function

- 4396B-010 impedance measurement function

#### <D>For accessories

- 4396B-1D7 50  $\Omega$  - 75  $\Omega$  minimum loss pad
- 4396B-810 keyboard
- 4396B-1CM rackmount kit
- 4396B-1CN front handle kit
- 4396B-1CP handle/rack mount kit

#### <E>For calibration certificate

- 4396B-1A7 ISO 17025 compliant calibration

#### <F>For manual<sup>1</sup>

- 4396B-ABA U.S. - English localization
- 4396B-ABJ Japan - Japanese localization
- 4396B-0BW service documentation, assembly level

1. Printed manual is not furnished as standard.

## Test sets, splitters, and directional bridges

S-parameter test sets allow both forward and reverse measurements with a single connection of your DUT.

**Agilent 87511A** – 50  $\Omega$  S-parameter (100 kHz to 500 MHz), 7-mm test port (Option 87511A-800) or type-N test port (Option 87511A-001)

**Agilent 87511B** – 75  $\Omega$  S-parameter (100 kHz to 500 MHz), type-N test port

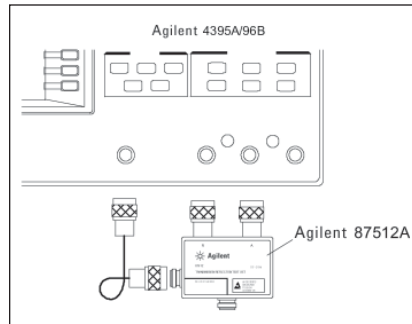
**Agilent 85046A** – 50  $\Omega$  S-parameter (300 kHz to 3 GHz), 7-mm test port<sup>1</sup>

**Agilent 85046B** – 75  $\Omega$  S-parameter (300 kHz to 2 GHz), type-N test port



**Agilent 85046A**

Transmission/reflection (T/R) test kits allow measurements in one direction only. Includes test set, short, load, and DUT return cable.



**Agilent 87512A**

**Agilent 87512A** 50  $\Omega$  (dc-2 GHz) type-N connectors

**Agilent 87512B** 75  $\Omega$  (dc-2 GHz) type-N connectors

These type-N power splitters allow transmission measurements only in a single direction.

**Agilent 11667A** 50  $\Omega$  2-way power splitter (dc-18 GHz)

These high-directivity RF bridges are designed for accurate reflection measurements and signal-leveling applications.

**Agilent 86205A** 50  $\Omega$  RF bridge (300 kHz to 6 GHz)

**Agilent 86207A** 75  $\Omega$  RF bridge (300 kHz to 3 GHz)

## Calibration kits

A complete line of kits make calibrating your analyzer fast and easy.

**Agilent 85031B** 50  $\Omega$ , 7-mm

**Agilent 85032B** 50  $\Omega$ , type-N

**Agilent 85033D** 50  $\Omega$ , 3.5-mm

**Agilent 85036B** 75  $\Omega$ , type-N

## Accessory kits

These kits furnish RF components generally required for use with test sets and splitters.

**Agilent 11853A** 50  $\Omega$ , type-N short circuits and adapters

**Agilent 11854A** 50  $\Omega$ , type-N to BNC adapters

## Cable kits

For reliable connections between the test set and the DUT.

**Agilent 11857B** 75  $\Omega$  type-N test port return cables

**Agilent 11857D** 50  $\Omega$  7-mm test port return cables

1. To convert test port to type-N, use Agilent 11524A 7-mm to type-N(f) adapter.

## Probes

Extend the capabilities of the analyzer directly to your circuit.

**Agilent 41800A** 5 Hz to 500 MHz active probe

**Agilent 41802A** 5 Hz to 100 MHz 1 M $\Omega$  input adapter

**Agilent 85024A** 300 MHz to 3 GHz high frequency probe

**Agilent 1141A** dc to 200 MHz differential probe

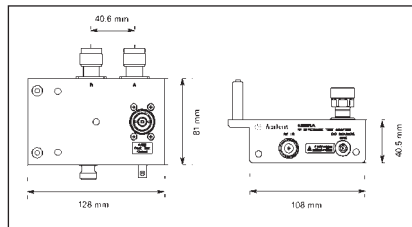
**Agilent 11940A** 9 kHz to 30 MHz close-field probe set

**Agilent 11941A** 30 MHz to 1 GHz close-field probe set

**Agilent 11945A** 9 kHz to 1 GHz close-field probe set

## Impedance test kit

The Agilent 4395A/96B can perform direct impedance measurements with the addition of Option 439xx-010 and the Agilent 43961A RF impedance test kit. The Agilent 43961A includes a test adapter, an N(m)-N(m) cable, OPEN/SHORT/LOAD calibration standard, and carrying case.



**Agilent 43961A** RF impedance test kit

## Test fixtures for impedance measurement

**16192A** parallel electrode SMD test fixture (DC to 2 GHz)

**16194A** high temperature component test fixture (DC to 2 GHz)

**16196A** 1608 (mm)/0603 (inch) parallel electrode SMD test fixture (DC to 3 GHz)

**16196B** 1005 (mm)/0402 (inch) parallel electrode SMD test fixture (DC to 3 GHz)

**16196C** 0603 (mm)/0201 (inch) parallel electrode SMD test fixture (DC to 3 GHz)

**16196D** 0402 (mm)/01005 (inch) parallel electrode SMD test fixture (DC to 3 GHz)

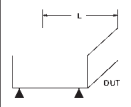
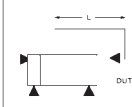
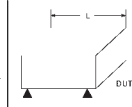
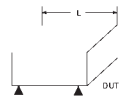
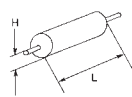
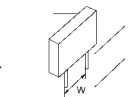
**16197A** bottom electrode SMD test fixture (DC to 3 GHz)

**16092A** spring clip test fixture (DC to 500 MHz)

**16093-65003** Binding post test fixture (DC to 250 MHz)

**16093-65004** Binding post test fixture (DC to 125 MHz)

## Test fixtures and DUT sizes

| Agilent 16191A  | Agilent 16192A  | Agilent 16197A  |
|---|---|---|
| L=2.0 - 12.0 mm   | L=1.0 - 20.0 mm   | L=0.6 - 3.2 mm  |
|   |   |   |
| Agilent 16194A  |   |   |
| L=2.0 - 15.0 mm   | L=< 15 mm<br>H=<4.5 mm  | W=8.0 - 21.0 mm   |
|  |  |  |

# General Characteristics

## Agilent 4395A

**Remote programming interface:** GPIB interface operates according to IEEE 488.1-1987 and IEEE 488.2-1987 and IEC 625 standards.

**I/O port:** 8 bit I/O, 24 bit I/O

**Printer:** Centronics parallel I/O port (Agilent PCL3)

**Temperature:** Operating<sup>1</sup>, 0 °C to 40 °C; storage, -20 °C to 60 °C

**Humidity:** Operating<sup>1</sup> 15% < RH < 95%

**Power:** 100/120/220/240 V ±10%, 47 Hz to 63 Hz, 300 VA max.

**Connectors:** 50 Ω type-N(f)

**Probe power:** +15 V @ 300 mA, -12.6 V @ 160 mA, GND

**Display:** 8.4 inch color TFT LCD

**Weight:** 21 kg (46 lb.) typical

**Dimensions:**

235 mm H x 425 mm W x 553 mm D  
(9.25 in. x 16.75 in. x 21.72 in.)

## Agilent 4396B

**Remote programming interface:** GPIB interface operates according to IEEE 488.1-1987 and IEEE 488.2-1987 and IEC 625 standards.

**I/O port:** 8 bit I/O

**Printer:** Centronics parallel I/O port (Agilent PCL3)

**Temperature:** Operating<sup>1</sup>, 0 °C to 40 °C; storage, -20 °C to 60 °C

**Humidity:** Operating<sup>1</sup> 15% < RH < 95%

**Power:** 100/120/220/240 V ±10%, 47 Hz to 63 Hz, 300 VA max.

**Connectors:** 50 Ω type-N(f)

**Probe power:** +15 V @ 300 mA, -12.6 V @ 160 mA, GND.

**Display:** 8.4 inch color TFT LCD

**Weight:** 21.5 kg (47 lb.) typical

**Dimensions:**

235 mm H x 425 mm W x 553 mm D  
(9.25 in. x 16.75 in. x 21.72 in.)

1. Disk drive operating region: 10 °C to 40 °C and 15% to 80% RH.

MS-DOS<sup>®</sup> is a registered trademark of Microsoft Corporation.

## Agilent 4395A accessories selection guide

|                |        | 50 Ω   |     |                       | 75 Ω                |                     |        |
|----------------|--------|--------|-----|-----------------------|---------------------|---------------------|--------|
|                |        | Trans. | T/R | S-para                | Trans.              | T/R                 | S-para |
| Power splitter | 3-way  | 11850C |     |                       | 11850D              |                     |        |
|                | 2-way  | 11667A |     |                       |                     |                     |        |
| Test set       |        | 87512A |     | 87511A <sup>1,2</sup> | 87512B              | 87511B <sup>1</sup> |        |
|                |        |        |     | 85046A <sup>3</sup>   | 85046B <sup>4</sup> |                     |        |
| Cal. kit       | 7 mm   | 85031B |     |                       |                     |                     |        |
|                | N      | 85032B |     |                       | 85036B              |                     |        |
|                | 3.5 mm | 85033D |     |                       |                     |                     |        |
| Cable Kit      |        | 11851B |     | 11857D                | 11857B              | 11857B              |        |
| Acc. Kit       | N      | 11853A |     |                       | 11855A              |                     |        |
|                | BNC    | 11854A |     |                       | 11856A              |                     |        |

1. 100 kHz to 500 MHz

2. 7-mm test port (Option 87511A-800) or type-N test port (Option 87511A-001)

3. 300 kHz to 3 GHz 7-mm test port. To convert to type-N, use Agilent 11524A 7-mm to type-N (f) adapter

4. 300 kHz to 4 GHz

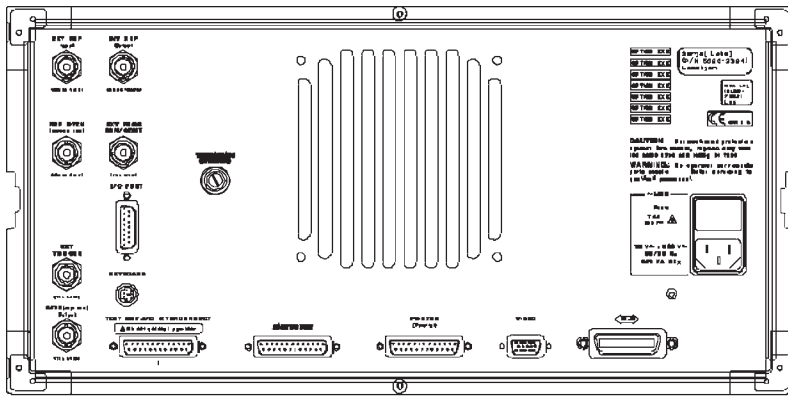
## Agilent 4396B accessories selection guide

|                |        | 50 Ω   |     |                     | 75 Ω   |        |        |
|----------------|--------|--------|-----|---------------------|--------|--------|--------|
|                |        | Trans. | T/R | S-para              | Trans. | T/R    | S-para |
| Power splitter |        | 11850C |     |                     | 11850D |        |        |
|                |        | 11667A |     |                     |        |        |        |
| Test set       |        | 87512A |     | 85046A <sup>1</sup> | 87512B | 85046B |        |
|                | 7 mm   | 85031B |     |                     |        |        |        |
| Cal. kit       | N      | 85032B |     |                     | 85036B |        |        |
|                | 3.5 mm | 85033D |     |                     |        |        |        |
| Cable Kit      |        | 11851B |     | 11857D              | 11857B | 11857B |        |
|                | N      | 11853A |     |                     | 11855A |        |        |
| Acc. Kit       | BNC    | 11854A |     |                     | 11856A |        |        |

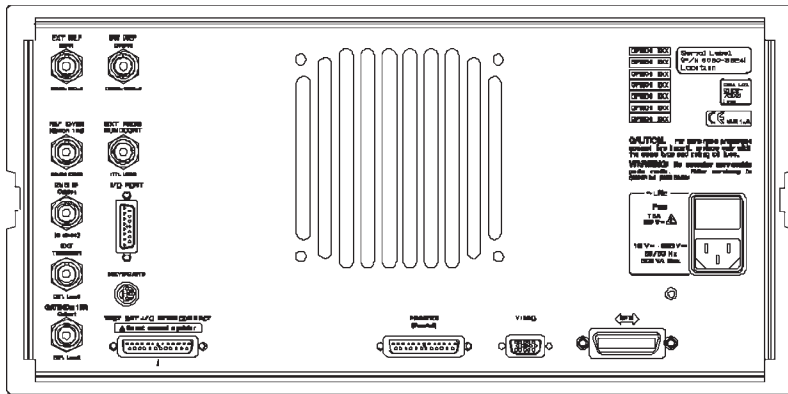
1. 7-mm test port. To convert to type-N, use Agilent 11524A 7-mm to type-N (f) adapter

## Additional literature

For detailed specifications, refer to the Agilent 4395A Data Sheet (literature number 5965-9340E), or Agilent 4396B Data Sheet (literature number 5965-6311E).



Agilent 4395A rear panel



Agilent 4396B rear panel

## Web Resource

[www.agilent.com/find/impedance](http://www.agilent.com/find/impedance)

### Agilent Email Updates

[www.agilent.com/find/emailupdates](http://www.agilent.com/find/emailupdates)

Get the latest information on the products and applications you select.

### Agilent Direct

[www.agilent.com/find/agilentdirect](http://www.agilent.com/find/agilentdirect)

Quickly choose and use your test equipment solutions with confidence.

### Agilent Open

[www.agilent.com/find/open](http://www.agilent.com/find/open)

Agilent Open simplifies the process of connecting and programming test systems to help engineers design, validate and manufacture electronic products. Agilent offers open connectivity for a broad range of system-ready instruments, open industry software, PC-standard I/O and global support, which are combined to more easily integrate test system development.

[www.agilent.com](http://www.agilent.com)

For more information on Agilent Technologies' products, applications or services, please contact your local Agilent office. The complete list is available at:

[www.agilent.com/find/contactus](http://www.agilent.com/find/contactus)

#### Americas

|               |                |
|---------------|----------------|
| Canada        | (877) 894-4414 |
| Latin America | 305 269 7500   |
| United States | (800) 829-4444 |

#### Asia Pacific

|           |                |
|-----------|----------------|
| Australia | 1 800 629 485  |
| China     | 800 810 0189   |
| Hong Kong | 800 938 693    |
| India     | 1 800 112 929  |
| Japan     | 0120 (421) 345 |
| Korea     | 080 769 0800   |
| Malaysia  | 1 800 888 848  |
| Singapore | 1 800 375 8100 |
| Taiwan    | 0800 047 866   |
| Thailand  | 1 800 226 008  |

#### Europe & Middle East

|                           |  |
|---------------------------|--|
| Austria                   | 01 36027 71571   |
| Belgium                   | 32 (0) 2 404 93 40   |
| Denmark                   | 45 70 13 15 15   |
| Finland                   | 358 (0) 10 855 2100  |
| France                    | 0825 010 700*  |
|                           | *0.125 €/minute  |
| Germany                   | 07031 464 6333   |
| Ireland                   | 1890 924 204   |
| Israel                    | 972-3-9288-504/544   |
| Italy                     | 39 02 92 60 8484   |
| Netherlands               | 31 (0) 20 547 2111   |
| Spain                     | 34 (91) 631 3300   |
| Sweden                    | 0200-88 22 55  |
| Switzerland               | 0800 80 53 53  |
| United Kingdom            | 44 (0) 118 9276201   |
| Other European Countries: | <a href="http://www.agilent.com/find/contactus">www.agilent.com/find/contactus</a> |

Revised: October 6, 2008

© Agilent Technologies, Inc. 2000, 2003, 2004, 2008  
 Printed in USA, November 20, 2008  
 5965-9374E