

Agilent AN 346-2

Balanced Circuit Measurement with an Impedance Analyzer/LCR Meter/Network Analyzer

Application Note

Introduction

How a balanced circuit differs from an unbalanced circuit

A balanced circuit has its electrical midpoint grounded. An unbalanced circuit, however, has one side grounded. A balanced circuit is typically used in communications equipment because a balanced circuit has the advantage of better spurious noise suppression.

Figure 1 shows a balanced cable which is an example of a balanced circuit. The voltages of the cable's two conductors are at every point equal in amplitude and opposite in phase. Figure 2 shows an unbalanced cable which is an example of an unbalanced circuit. Most measurement circuits in Agilent Technologies' impedance analyzers and LCR meters are unbalanced.

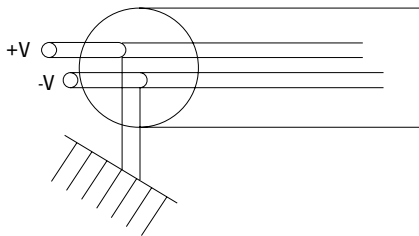


Figure 1. Balanced cable

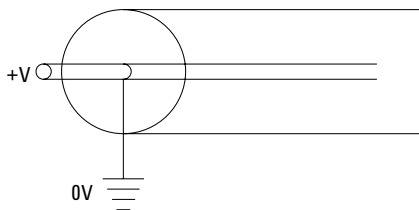


Figure 2. Unbalanced cable

Measuring a balanced circuit with an unbalanced measurement instrument

A balanced circuit cannot be directly measured with an unbalanced measurement instrument because of the difference in their configuration.

When measuring balanced circuits, the unbalanced measuring instrument requires a balun (balanced to unbalanced) transformer. A balun is a type of impedance-matching RF transformer.

Figure 3 shows the configuration for measuring a balanced circuit with an unbalanced instrument.

Note: In balanced cable measurements, residual current in the balun or the measuring instrument can cause measurement errors. To reduce the degree of error, perform open/short and load compensation at the measurement terminals of the balun.

Selecting a Balun

There are several types and brands of balun transformers. When selecting a balun, ensure that frequency is compatible with your measurement requirements. When you measure the impedance parameters of a balanced circuit, you don't have to use the balun which has the same impedance with the circuit under test. However, when you measure the transmission or reflection of it, you have to use a balun which has the same impedance with the circuit under test to keep impedance matching. Table 1 shows recommended balun transformers.

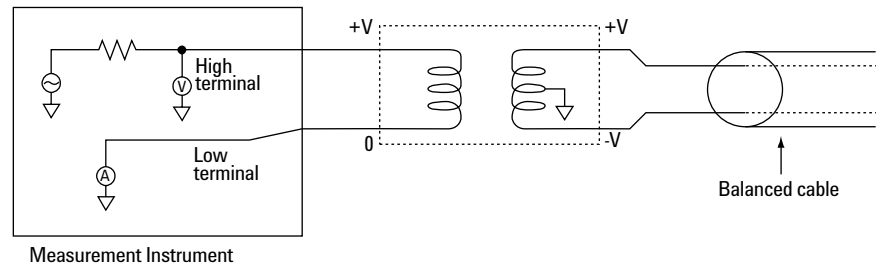


Figure 3. Balanced cable measurement configuration



Agilent Technologies

Measurement Configuration with a Balun and Compensation

Impedance measurement configuration with Agilent 4294A impedance analyzer

Figure 4 shows impedance measurement configuration (1)/(2) with the 4294A.

To calibrate/compensate for (1):

1. Perform open, short, and load compensation at the balanced terminals of the 16314-60011. Use the furnished compensation standards of the 16314-60011.

Standards 0 Ω PN 04191-85300
 0S PN 04191-85302
 50 Ω PN 04191-85301

To calibrate/compensate for (2):

1. Assemble a female BNC connector as shown in Figure 5.

2. Perform open, short, and load calibration at the BNC connector using the following BNC Calibration standards:

Short standard PN 1250-0929
 50 Ω load standard PN 11593A

3. Remove the connector and connect the DUT. Measure the DUT.

Impedance measurement configuration with the Agilent 4395A (#010)

Figure 6 shows impedance measurement configuration (2) with the 4395A.

To calibrate/compensate:

Refer to “To calibrate/compensate for (2)” of impedance measurement configuration with 4294A impedance analyzer.

Transmission measurement configuration with a network analyzer

Figure 7 shows transmission measurement configuration (3) with a network analyzer.

To calibrate/compensate:

Short the terminals closest to the DUT to the signal out and to the test port, then perform response/thru calibration.

Table 1. Recommended balun transformers

Unb/Bal. (W)	Bandwidth	Type No.	Suppliers
50:50	100 Hz to 10 MHz	16315-60011	Agilent Technologies
50:100	100 Hz to 10 MHz	16316A	Agilent Technologies
50:600	100 Hz to 3 MHz	16317A	Agilent Technologies
50:50	0.1–125 MHz	0001BB	North Hills Signal Processing
50:75	0.1–125 MHz	0101BB	North Hills Signal Processing
50:100	0.1–125 MHz	0300BB	North Hills Signal Processing
50:600	0.1–65 MHz	0700BB	North Hills Signal Processing
75:50	0.1–100 MHz	1000BB	North Hills Signal Processing
75:75	0.1–100 MHz	1100BB	North Hills Signal Processing
75:100	0.1–100 MHz	1300BB	North Hills Signal Processing
75:600	0.1–60 MHz	1700BB	North Hills Signal Processing

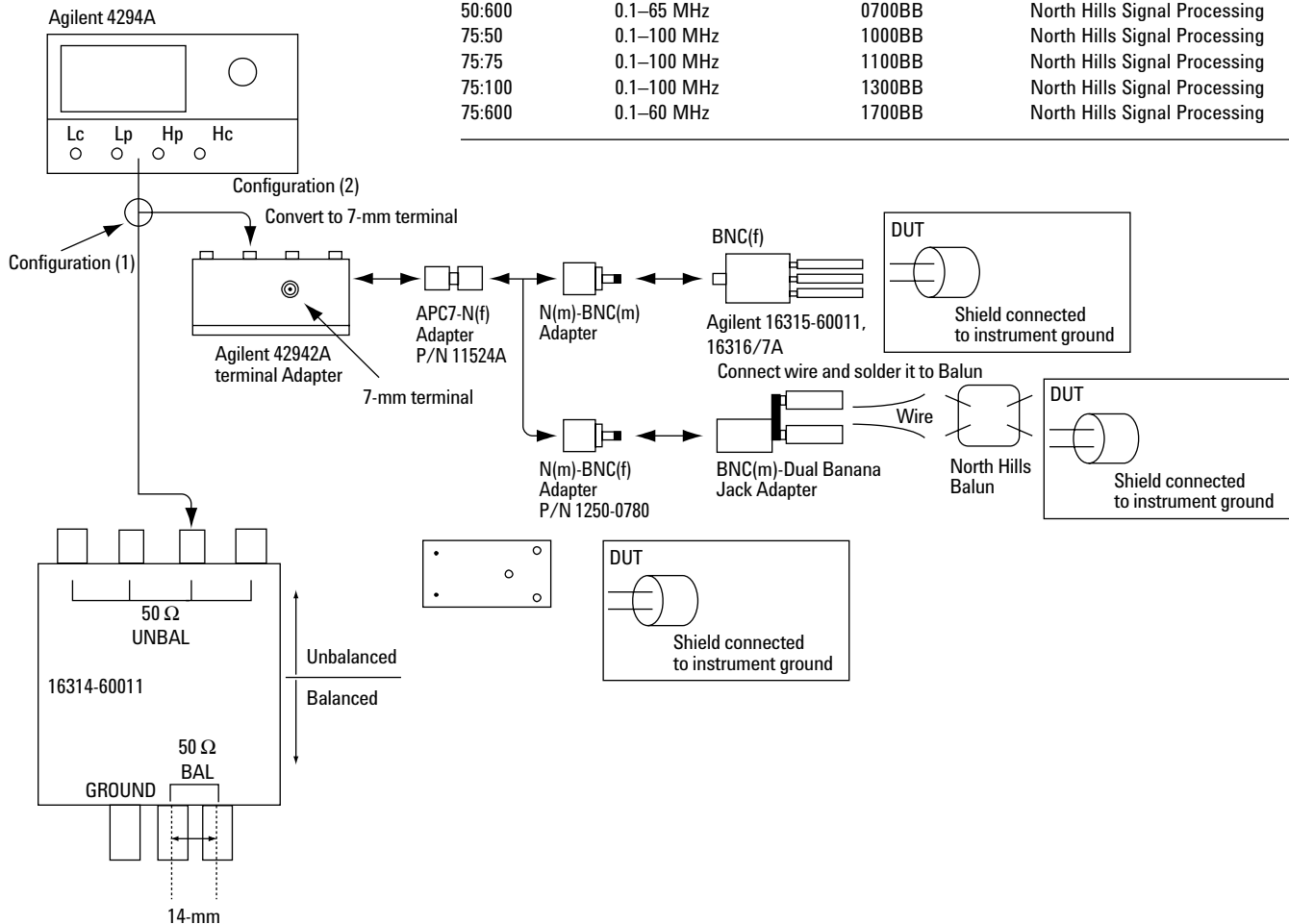


Figure 4. Measurement configurations with 4294A

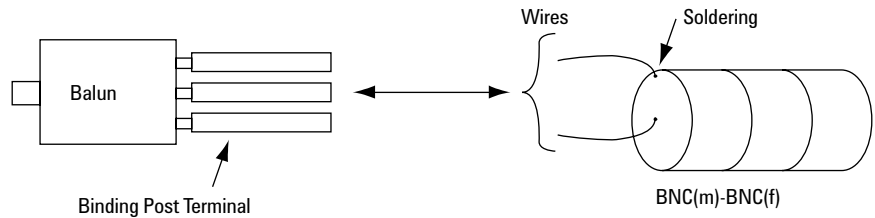


Figure 5. Assembling BNC connector

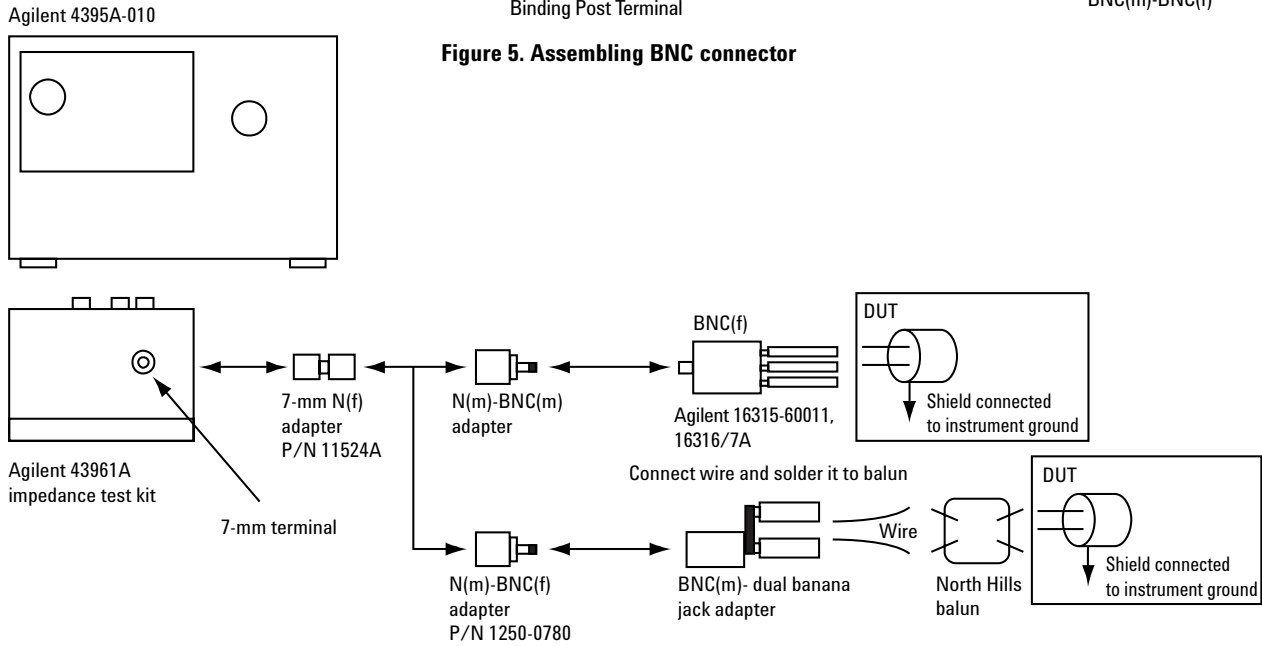


Figure 6. Measurement configuration (2)

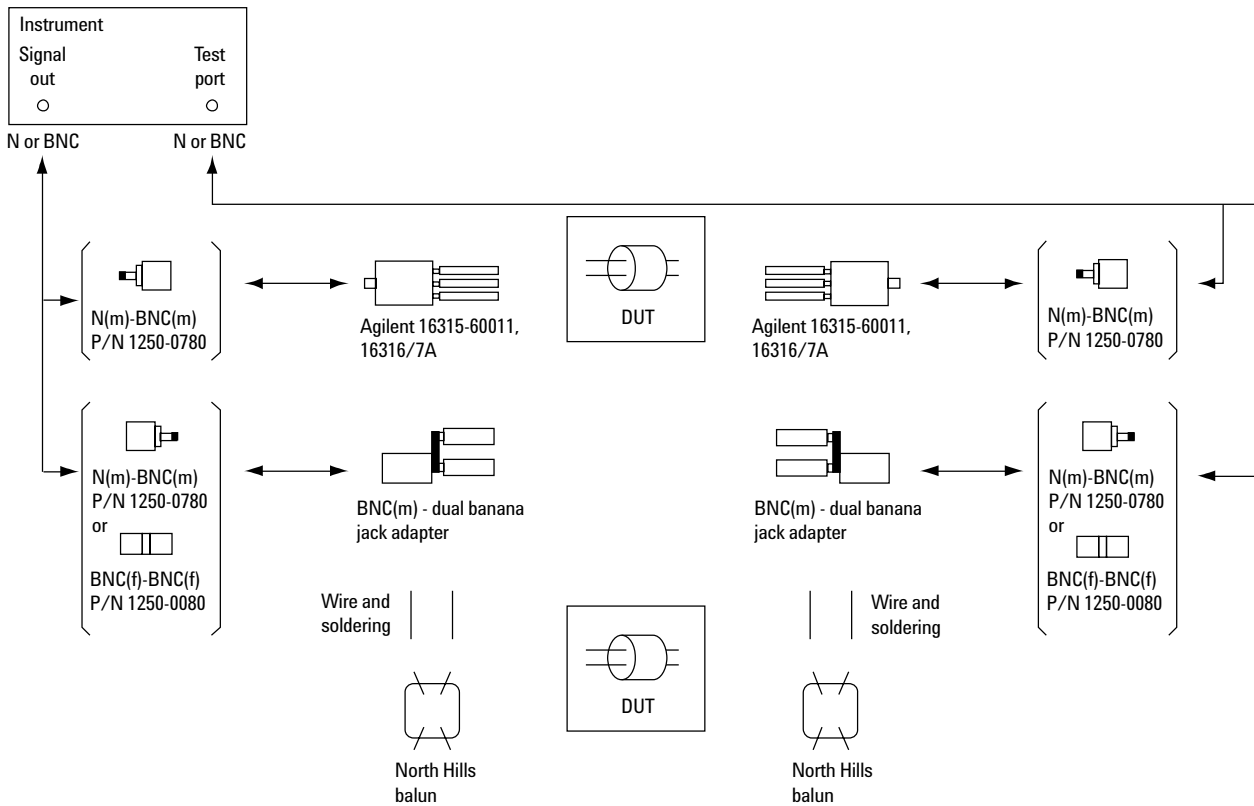


Figure 7. Measurement configuration (3)

Appendix: Agilent Balun Transformer Information

The Agilent balun transformers are excellent interfaces for measuring balanced components or circuits. They can be used with unbalanced system measurement instruments such as impedance analyzers, LCR meters, and/or network analyzers (that are unbalanced system measurement instruments). Agilent offers the following balun transformers.

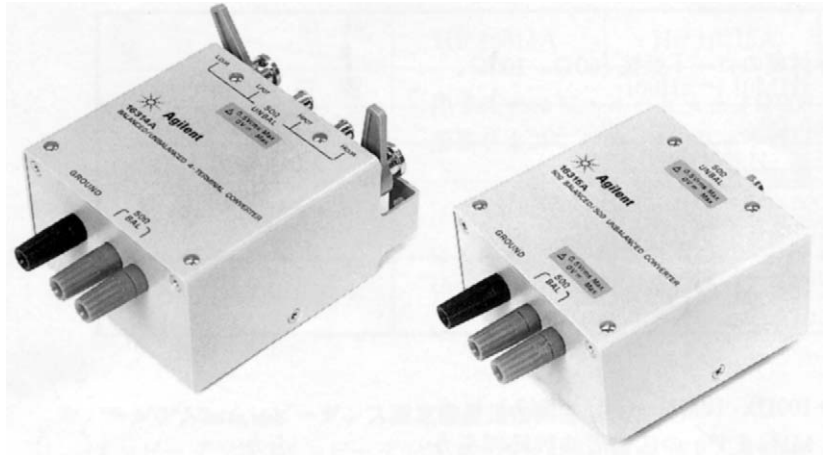


Figure 8. Agilent 16314-60011 and 16315-60011

Agilent 16314-60011

The 16314-60011 can be directly connected to a 4-terminal-pair impedance analyzer or an LCR meter. High-accuracy impedance measurements of balanced devices can be made by using the OPEN/SHORT/LOAD characteristic. This unique feature of the Agilent impedance analyzer and LCR meters is performed at the binding posts by using the furnished shorting plate and a 50 Ω load resistor.

- Wide frequency range (100 Hz to 10 MHz) is covered.
- Recommended instruments:
 - 4294A precision impedance analyzer
 - 4284A precision LCR meter
 - 4285A precision LCR meter
 - E4980A precision LCR meter

Agilent 16315-60011, 16316A, 16317A

- Reflection and transmission measurements of balanced devices and circuits can be measured with a network analyzer.
- With the furnished load resistor (50 Ω , 100 Ω , 600 Ω) and short plate, calibration can be performed for high-accuracy measurements.
- Depending on the impedance of the device, balanced impedance of 50 Ω , 100 Ω , or 600 Ω can be selected.
- Wide frequency range (100 Hz to 10 MHz (Agilent 16317A covers up to 3 MHz))
- Recommended instruments:
 - 4395A 500 MHz network/spectrum/impedance analyzer
 - 4396B 1.8 GHz network/spectrum/impedance analyzer
 - 4294A precision impedance analyzer

Specifications

Specifications describe the instrument's warranted performance over the temperature range of 0 to 50 °C (except where noted) and after 30-minute warm-up time.

Table 2. Agilent balun transformers specifications

Item		16314-60011	16315-60011	16316A	16317A
Terminal configuration & nominal characteristic impedance	Balanced port	Binding posts 2 signal terminals and 1 ground terminal (signal terminal spacing: 14.0 mm)			
		50 Ω	50 Ω	100 Ω	600 Ω
	Unbalanced port	4 BNC connectors		1 BNC connector	
		50 Ω			
Size (mm)		89(W) x 56(H) x 133 (D)		89(W) x 55(H) x 121 (D)	
Weight (g)		400		350	
Operating temperature		0 to 55 °C			
Operating humidity		≤ 95% RH (@ 40 °C)			
Non-operation temperature		-40 to +70 °C			
Non-operating humidity		≤ 90% RH (@ 65 °C)			
Furnished accessories		50 Ω load resistor Shorting plate Manual	50 Ω load resistor Shorting plate Manual	100 Ω load resistor Shorting plate Manual	600 Ω load resistor Shorting plate Manual

Supplemental Characteristics

Supplemental characteristics are intended to provide information useful in applying the instrument by giving non-warranted performance parameters.

Table 3. Agilent Balun transformers supplemental characteristics (at 23 ± 5 °C)

Item	16314-60011	16315-60011	16316A	16317A
Operating frequency	100 Hz to 10 MHz			100 Hz to 3 MHz
Insertion loss	≤ 1.0 dB (@100 kHz)			
Freq. response	≤ 1.0 dB (relative to the insertion loss at 100 kHz)			≤ ±1.5 dB (relative to the insertion loss at 100 kHz)
Return loss	≥ 10 dB (100 Hz ≤ Freq. < 300 Hz) ≥ 20 dB (300 Hz ≤ Freq. < 7 MHz) ≥ 17 dB (7 MHz ≤ Freq. < 10 MHz)			≥ 10 dB (100 Hz ≤ Freq. < 300 MHz) ≥ 20 dB (300 MHz ≤ Freq. ≤ 1 MHz) ≥ 15 dB (1 MHz < Freq. ≤ 3MHz)
Common mode loss	≥ 50 dB (100 Hz ≤ Freq. < 3 MHz) ≥ 45 dB (3 MHz ≤ Freq. < 5 MHz) ≥ 40 dB (5 MHz ≤ Freq. < 10 MHz)			≥ 50 dB (100 Hz ≤ Freq. < 1 MHz) ≥ 45 dB (1 MHz ≤ Freq. < 3 MHz)

Web Resource

www.agilent.com/find/impedance
www.agilent.com/find/lcrmeters

References

Impedance Measurement Handbook,
Publication Number 5950-3000

For information on balun, contact the manufacturers:

North Hills Signal Processing
A Porta Systems Company
575 Underhill Blvd.
Syosset, NY 11791
Tel: (516) 682 7740
Fax: (516) 682 7704

www.northhills-sp.com/contact.html



Agilent Email Updates

www.agilent.com/find/emailupdates

Get the latest information on the products and applications you select.



Agilent Direct

www.agilent.com/find/agilentdirect

Quickly choose and use your test equipment solutions with confidence.



www.agilent.com/find/open

Agilent Open simplifies the process of connecting and programming test systems to help engineers design, validate and manufacture electronic products. Agilent offers open connectivity for a broad range of system-ready instruments, open industry software, PC-standard I/O and global support, which are combined to more easily integrate test system development.



www.lxistandard.org

LXI is the LAN-based successor to GPIB, providing faster, more efficient connectivity. Agilent is a founding member of the LXI consortium.

Remove all doubt

Our repair and calibration services will get your equipment back to you, performing like new, when promised. You will get full value out of your Agilent equipment throughout its lifetime. Your equipment will be serviced by Agilent-trained technicians using the latest factory calibration procedures, automated repair diagnostics and genuine parts. You will always have the utmost confidence in your measurements.

Agilent offers a wide range of additional expert test and measurement services for your equipment, including initial start-up assistance onsite education and training, as well as design, system integration, and project management.

For more information on repair and calibration services, go to

www.agilent.com/find/removealldoubt

www.agilent.com

For more information on Agilent Technologies' products, applications or services, please contact your local Agilent office. The complete list is available at:

www.agilent.com/find/contactus

Americas

Canada	(877) 894-4414
Latin America	305 269 7500
United States	(800) 829-4444

Asia Pacific

Australia	1 800 629 485
China	800 810 0189
Hong Kong	800 938 693
India	1 800 112 929
Japan	0120 (421) 345
Korea	080 769 0800
Malaysia	1 800 888 848
Singapore	1 800 375 8100
Taiwan	0800 047 866
Thailand	1 800 226 008

Europe & Middle East

Austria	0820 87 44 11
Belgium	32 (0)2 404 93 40
Denmark	45 70 13 15 15
Finland	358 (0)10 855 2100
France	0825 010 700*
	*0.125 €/minute
Germany	01805 24 6333**
	**0.14 €/minute
Ireland	1890 924 204
Israel	972-3-9288-504/544
Italy	39 02 92 60 8484
Netherlands	31 (0)20 547 2111
Spain	34 (91)631 3300
Sweden	0200-88 22 55
Switzerland	0800 80 53 53
United Kingdom	44 (0)118 9276201

Other European Countries:

www.agilent.com/find/contactus

Revised: March 27, 2008

Product specifications and descriptions in this document subject to change without notice.

© Agilent Technologies, Inc. 1998, 2000, 2003, 2006, 2008

Printed in USA, April 10, 2008
5091-4480E



Agilent Technologies